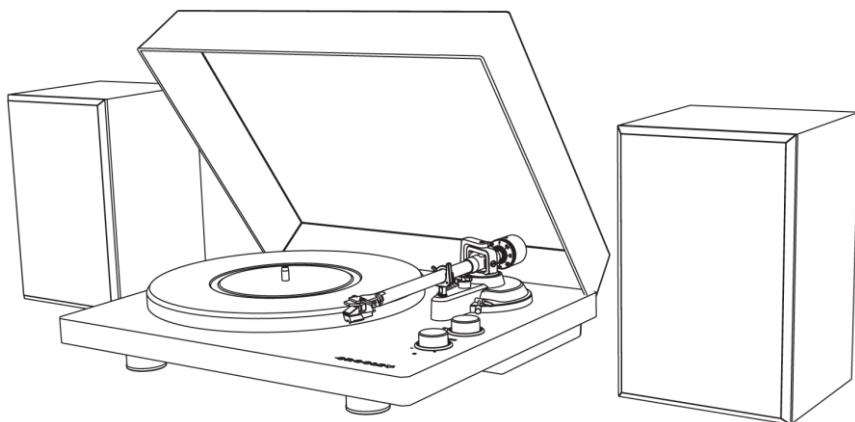




C62B
C62 Turntable
Instruction Manual



Questions, problems, missing parts?
Before returning to the store, call Customer Service
8 a.m. – 6 p.m., EST, Monday – Friday
1-888-CROSLEY
www.crosleyradio.com

Important Safety Instructions

Read and understand this entire manual before using this product. Keep these instructions for future reference.

1. Do not use this product near water.
2. This product should be operated only by the type of power source indicated on the marking label or in this instruction manual.
3. Do not defeat the safety purpose of the polarized plug. A polarized plug has two blades with one blade wider than the other. This plug will fit into the power outlet only one way. If you are unable to insert the plug fully into the outlet try reversing the plug. If the plug should still fail to fit, contact your electrician.
4. Protect the power cord from being walked on or pinched particularly at plugs, convenience receptacles, and the point where they exit from the product.
5. Do not overload wall outlets, extension cords, or integral convenience receptacles as this can result in a risk of fire or electric shock.
6. Never push objects of any kind into this product through openings as they may touch dangerous voltage points or short-out parts that could result in a fire or electric shock. Never spill liquid of any kind on the product.
7. Do not attempt to service this product yourself as opening or removing covers may expose you to dangerous voltage or other hazards. Refer all servicing to qualified service personnel.
8. Changes or modifications to this unit not expressly approved by the party responsible for compliance could void the user's authority to operate the equipment.
9. Do not use attachments not recommended by the product manufacturer as they may cause hazards.
10. A product and cart combination should be moved with care. Quick stops, excessive force, and uneven surfaces may cause the product and cart combination to overturn.
11. Slots and openings in the cabinet are provided for ventilation and to ensure reliable operation of the product and to protect it from overheating. Do not block or cover these openings.
12. Unplug the product during lightning storm or when unused for long periods of time.

Items in this package

Before throwing away any packaging materials, please check thoroughly and make sure you find the following items that come along with this package:

- Turntable
- Turntable Lid
- Turntable Slip Mat
- Turntable Platter
- 45 RPM adapter
- Tonearm Counterweight
- Drive Belt
- Cartridge Alignment Protractor
- Power Adaptor
- Speakers
- Speaker Wire x 2

Please contact Crosley customer service if there is any accessory missing from the package. **Retain the original packaging materials for exchange or return purposes.**

Specifications

Crosley C62B

Power	AC power adaptor, DC output 15 V 2.4A
Power Consumption	45W
Speaker	8Ω 30W x 2
Turntable Speed	33 ¹ / ₃ , 45 RPM
Speed Variance	±1.5%
Wow and Flutter	≤ 0.15%
Signal to Noise	72 dB
Downforce Range	3.5 – 4.3g
Effective Tonearm Length	8.74" (222 mm)
Overhang	0.75"
Product Dimensions(W x H x D)	16.46" x 4.92" x 14.13", with lid open 16.46" x 15.35" x 14.13"
Weight	19.84 lbs

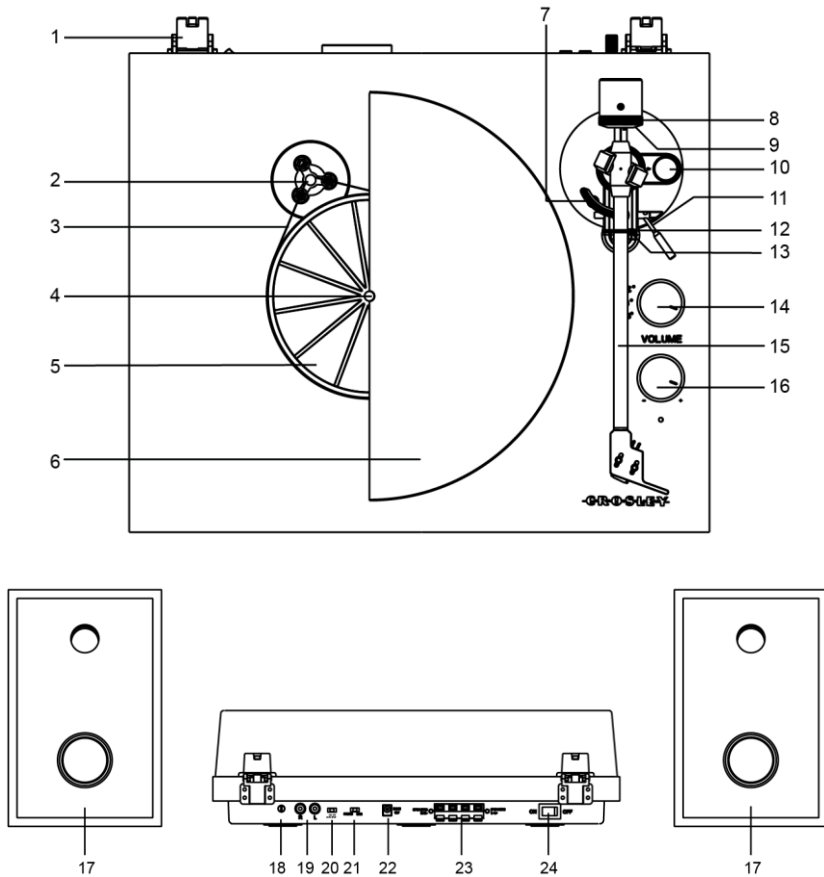
Needle: Crosley NP-5

Frequency Response	20Hz – 20 kHz
Channel Balance	<2.5dB
Channel Separation	>18dB
Output Voltage	2.5mV
Recommended Load Resistance	47k Ω
Amplifier connection	MM –input
Recommended Tracking Pressure	3.5±0.5g
Weight	0.18oz

Note:

- *Design and specifications are subject to change without notice.*

Product Description



- | | |
|--------------------------------|------------------------------|
| 1. Hinge | 14. Function Knob |
| 2. Drive Pulley | 15. Tonearm |
| 3. Drive Belt | 16. Volume Knob |
| 4. Turntable Spindle | 17. Speakers |
| 5. Turntable Hub | 18. Ground Connector |
| 6. Turntable Platter | 19. RCA Jacks |
| 7. Tonearm Lift | 20. Auto-stop Switch |
| 8. Tonearm Counterweight | 21. Phono/Line Switch |
| 9. Downforce Scale Dial | 22. Power Jack |
| 10. Anti-Skate Adjustment Dial | 23. Speaker Output Terminals |
| 11. Cue Lever | 24. Power Switch |
| 12. Hold Down Clip | 25. Power Jack |
| 13. Tonearm Rest | |

Initial Setup

Essential Setup

1. Place the unit on a flat and level surface. The selected location should be stable and free from vibration.
2. Install the turntable lid to the hinges.
3. Remove the tie-wrap that is holding the tonearm.
4. Remove all packing material from underneath the turntable hub.
5. Install the turntable platter and drive belt accordingly.
6. Slide **Tonearm Counterweight** onto tonearm with the numbers facing the front of the turntable, and twist it lightly onto the rear shaft of the tonearm
7. Adjust the counterweight to set proper stylus pressure.
8. Place the slip mat on top of the turntable platter.
9. Connect AC adaptor to the **Power Jack** of the unit.

Note: Do not plug the AC power adaptor to power outlet before all the assembly is completed. Before turning the power on, make sure again all the connection settings are correct. Always turn off the power when connecting or disconnecting.

Turntable Platter and Belt Setup

1. Put the drive belt around the **Turntable Hub**, and then use the provided drive belt assembly tool to help pull the belt to fit around the slot of motor pulley.
2. Place the turntable platter through the turntable spindle.

Tonearm Counterweight Adjustment for Stylus Pressure

1. Remove the stylus protector from the cartridge and avoid touching the stylus tip during the adjustment.
2. Release the tonearm **Hold Down Clip**, gently hold the tonearm and move it away from the **Tonearm Rest**. At this point, the tone arm is unbalanced and free to swing.
3. Lift up the **Tonearm** from its rest and gently hold it. The tone arm is unbalanced at this point.
4. Carefully rotate the **Counterweight** towards the front of the turntable until the tonearm is horizontally balanced and hovers freely just above the platter without the stylus touching the platter surface.
5. Return the tonearm to the **Tonearm Rest** and lock the **Hold Down Clip**.
6. While holding the counterweight steady without any rotation, rotate carefully only the **Downforce Scale Dial** until the "0" on the scale lines up with the centerline marked along the top of the tonearm.
7. Rotate the counterweight including the downforce scale dial counter-clockwise (as seen from the front of the turntable) to adjust the pressure to the stylus manufacturer recommendations.

Note:

- Each mark on the scale represents 0.05 g (gram).
- The recommended pressure for the factory-installed cartridge is 3.5 g.

- One full turn of the counterweight will provide a pressure 2.0g. In order to reach a stylus pressure that is greater than 2.0 g keep rotating the counterweight forward.

Stereo System Connection

RCA Jacks

- The RCA Jacks of this unit are shared as both the Phono output jacks and the Line output jacks. They are determined by the **Phono/Line Switch**.
- When used as a line output, the jacks output analog line-level signals and could be connected directly with a pair of active speakers or the appropriate input of your stereo system. When used as a Phono output, they should be connected to the phono pre-amp or the phono input of the stereo system.
- The Red plug connects with the Right channel and the White plug connects with the Left channel.

Note:

- If the Phono/Line switch is set at LINE position but RCA jacks connected to the stereo system's phono input, the sound might be distorted due to input overload and could damage your stereo system.
- If the Phono/Line switch is set at PHONO position but RCA jack connected to the stereo system's line input, the volume will be very low due to lacking signal pre-amplification.
- RCA Jack is not designed to be connected directly to the passive/unpowered speakers and if it does, the volume will be very low.

Spring clip speaker terminals

The spring clip speaker terminals deliver amplified, speaker-level signals as output and should be connected with the passive speakers.

Bluetooth Operation

1. Turn the **Function Knob** to Bluetooth mode ✱ , you will hear an activation sound from the unit.
2. Turn on the Bluetooth feature of your audio device, search for "Crosley C62B" and pair.
3. Once your device is successfully paired with the unit, you will hear a short confirmation sound from the unit.
4. Play and stream music from your device to the unit.

*Note: Bluetooth version - *5.0**

Turntable Operation

1. Press the **Power Switch** to turn on the power.
2. Set the **Function Knob** accordingly.
3. Place the record on the turntable. Use the **45 RPM Adapter** if necessary.
4. Remove the stylus protector from the stylus assembly.
Note: To avoid stylus damage, make certain the included stylus guard is in place whenever the turntable is being moved or cleaned.
5. Release the tonearm **Hold Down Clip**.
Note: when the turntable is not in use, remember to lock back hold down clip.
6. Use the **Cue Lever** to lift up the tonearm.
7. Gently move the tonearm over the record where play is desired to begin. Set the **Cue Lever** back to the down position, the tonearm will descend slowly onto the record and begin to playback.
8. When the record is finished playing, use the **Cue Lever** again to raise the tonearm and then return it to the **Tonearm Rest**. Release the lever to let the tonearm sit back at its rest. To suspend the playback, repeat the same steps.
9. Lock the **Hold Down Clip** to secure the tonearm.

Anti-skate Adjustment

- A small outward “anti-skating” force can be applied to the tone arm to compensate for the “skating” force that pulls the arm toward the center of the record.
- For best performance during normal turntable usage, it is recommended to set the anti-skate control knob to the same value as indicated by the downforce scale dial.

Platter Auto-stop

If the **Auto-stop Switch** is set to ON position, the platter will stop spinning automatically when the record plays to the end. In some rare occasion, if the turntable stops playing before the end of the record, set the switch to OFF position the turntable should overcome this issue.

Cartridge Replacement

1. Before replacement, put the stylus protector back on the stylus to prevent damage to the stylus during the replacement process.
2. Carefully remove the wire leads from the original cartridge.
3. Loosen the two screws on the headshell that are securing the cartridge and then remove the original cartridge.
4. Mount the new cartridge to the headshell and tighten it lightly. Do not completely tighten the screws at this moment.
5. Connect the wire leads to the new cartridge's terminals .The wire lead color codes are as below:

White	Left channel positive	(L+)
Black	Left channel negative	(L-)
Red	Right channel positive	(R+)
Black	Right channel negative	(R-)
6. Adjust the cartridge's position to make sure it is precisely aligned on the headshell so that the stylus will be tracking the grooves in parallel perfectly.
To achieve this, place the included paper cartridge alignment protractor over the turntable spindle, carefully lift the tone arm and place the tip of the stylus on the points marked 130mm and 250mm respectively. Fine tune the cartridge's position on the headshell until the cartridge is perfectly in parallel with the reference lines at both points.
7. Tighten the screws completely once the perfect alignment is achieved.

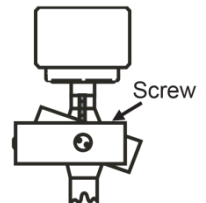
Azimuth Adjustment

The needle must be perpendicular to the record groove in order to track the groove wall modulations correctly. In rare cases, if the factory installation is not perfect, you can make below adjustment:

1. Use an Allen Wrench to loosen the screw located at the bearing end of the tonearm just enough to loosen the arm tube.
Note: Do not remove the screw completely.
2. Gently rotate the tonearm until the needle is perpendicular to the record surface.

Note: Make sure the needle tip is not touching the record when adjustment is being made or it will cause damage to the needle and cantilever suspension.

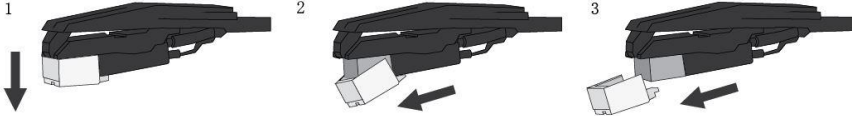
3. Tighten the screw when adjustment is finished.



Needle Replacement

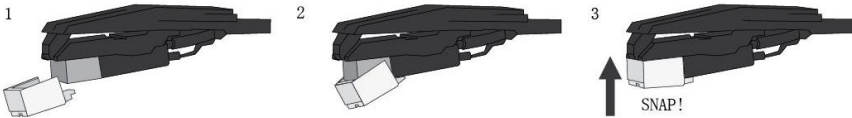
Removing Needle

1. Gently pull down the front edge of the needle.
2. Pull needle forward.
3. Pull out and remove.



Installing Needle

1. Position the needle with its tip facing down.
2. Line up the back of the needle with the cartridge.
3. Insert the needle with its front end at a downward angle and gently lift the front of the needle upward until it snaps into place.



Turntable Maintenance

1. Do not touch the stylus tip with your fingers. Avoid bumping the stylus on the turntable mat or a record's edge.
2. Clean the stylus frequently with a soft brush with a back-to-front motion only.
3. Clean the records to get rid of dust or grease with a record cleaning brush and record cleaning solution.
4. Clean the turntable lid and turntable cabinet with a slightly dampened microfiber cloth.
Note: Do not use cleanser other than that contains alcohol, benzene or any other harsh chemicals, which might damage the paint and finish of the turntable.

**** Crosley offers a product line of different cleaning accessories. Please ask your retailer or check out our website www.crosleyradio.com for more cleaning product information.**

Troubleshooting

There is no power

- Power adaptor is not connected correctly.
- No power at the power outlet.

Power is on, but the platter does not turn

- Turntable's drive belt is not installed or has slipped off.

Turntable is spinning, but there is no sound, or sound not loud enough

- Stylus protector is still on.
- Tone arm is lift up by the lever.

Record sounds too fast or too slow.

- Wrong speed selected for the record.

Strong hum on phono input

- The cable is not grounded correctly.

FCC Statements

This device complies with part 15 of the FCC Rules. Operation is subject to the following two conditions:

- (1) This device may not cause harmful interference, and
- (2) this device must accept any interference received, including interference that may cause undesired operation.

Note: This equipment has been tested and found to comply with the limits for a Class B digital device, pursuant to part 15 of the FCC Rules. These limits are designed to provide reasonable protection against harmful interference in a residential installation. This equipment generates, uses and can radiate radio frequency energy and, if not installed and used in accordance with the instructions, may cause harmful interference to radio communications. However, there is no guarantee that interference will not occur in a particular installation. If this equipment does cause harmful interference to radio or television reception, which can be determined by turning the equipment off and on, the user is encouraged to try to correct the interference by one or more of the following measures:

- Reorient or relocate the receiving antenna.
- Increase the separation between the equipment and receiver.
- Connect the equipment into an outlet on a circuit different from that to which the receiver is connected.
- Consult the dealer or an experienced radio/TV technician for help.

Note: The Grantee is not responsible for any changes or modifications not expressly approved by the party responsible for compliance. such modifications could void the user's authority to operate the equipment.

The device has been evaluated to meet general RF exposure requirement.

To maintain compliance with FCC's RF exposure guidelines, the distance must be at least 20 cm between the radiator and your body, and fully supported by the operating and installation configurations of the transmitter and its antenna(s).

SIMPLIFIED EU DECLARATION OF CONFORMITY

Hereby, Modern Marketing Concepts Inc. dba Crosley Brands, declares that the radio equipment type is in compliance with Directive 2014/53/EU. The full text of the EU declaration of conformity is available at the following internet address:

<http://crosleybrands.com/euDoC>