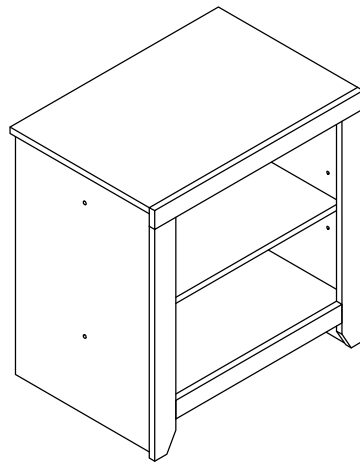


# **CROSLEY**

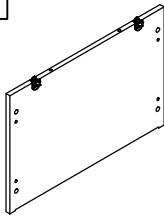
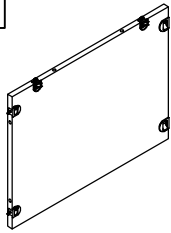
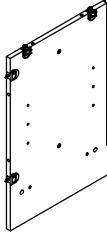
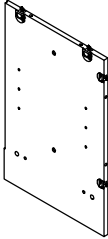


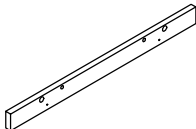
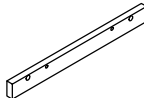
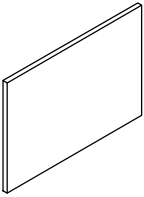
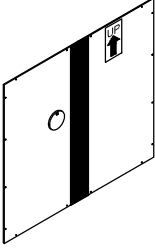
---

## FURNITURE


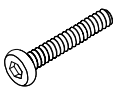


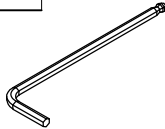
Low Profile TV Stand  
(Center Cabinet)  
CF101569-C



# PART LIST

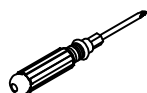
<b>K</b> 	<b>L</b> 	<b>M</b> 	<b>N</b> 	<b>O</b> 
Top Panel	Bottom Panel	Left Panel	Right Panel	Left Front Slat
1 PC	1 PC	1 PC	1 PC	1 PC
<b>P</b> 	<b>Q</b> 	<b>R</b> 	<b>S</b> 	<b>T</b> 
Right Front Slat	Upper Front Rail	Lower Front Rail	Adjustable Shelf	Back Panel
1 PC	1 PC	1 PC	1 PC	1 PC

# HARDWARE LIST

<b>#1</b> 	<b>#2</b> 	<b>#3</b> 	<b>#4</b> 	<b>#5</b> 
Ø3*15mm Screw	Ø1/4"*25mm Bolt	Ø8*30mm Wood Dowel	Shelf Holder	4mm Allen Wrench
16 PCS (Extra 2)	4 PCS (Extra 1)	16 PCS (Extra 2)	4 PCS	1 PC

ADDITIONAL TOOLS (Not Provided)

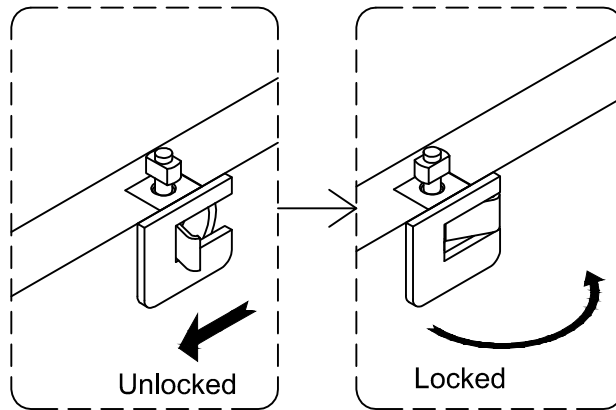
Note: It is not recommended to use power tools during assembly.



Phillips Head Screwdriver

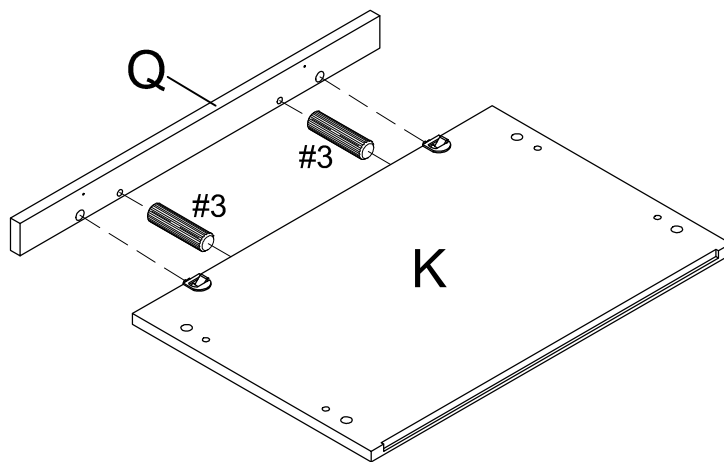
Note: Wood dowels are intended for alignment. Additional clearance between wood dowel and pre-drilled hole is intentional for ease of assembly.


Please do not use tools to assemble this unit unless specifically indicated.



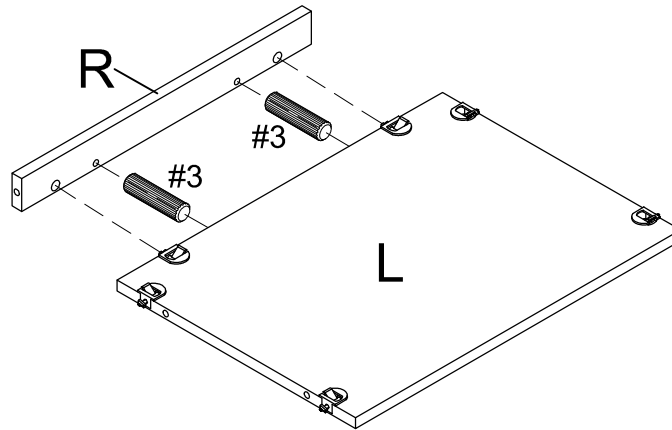
Reference the images above any time the instructions state "lock the hardware". Be sure to check all hardware is locked when complete.

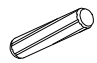
Step 1. Attach upper front rail (part Q) to top panel (part K) using wood dowels (part #3) and lock the hardware.



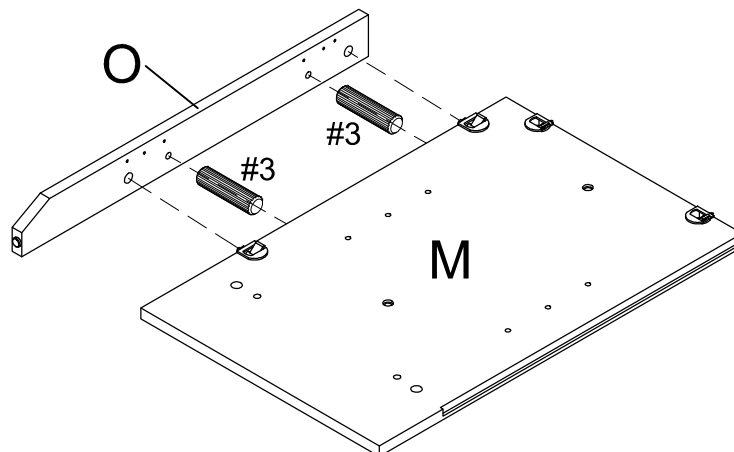
#3  x 2


Step 2. Attach lower front rail (part R) to bottom panel (part L) using wood dowels (part #3) and lock the hardware.



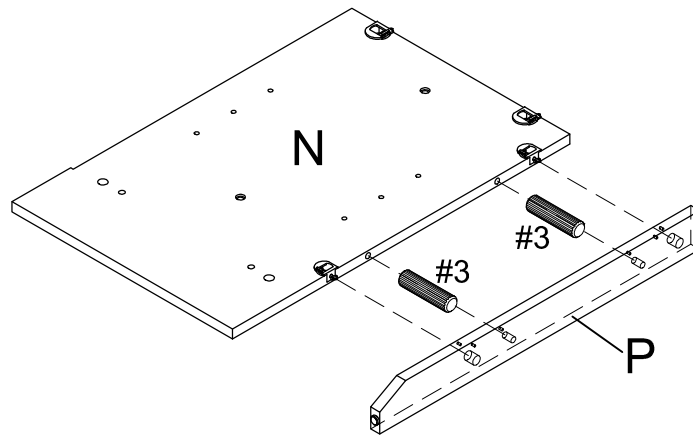
#3  x 2

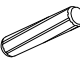
Step 3. Attach left front slat (part O) to left panel (part M) using wood dowels (part #3) and lock the hardware.



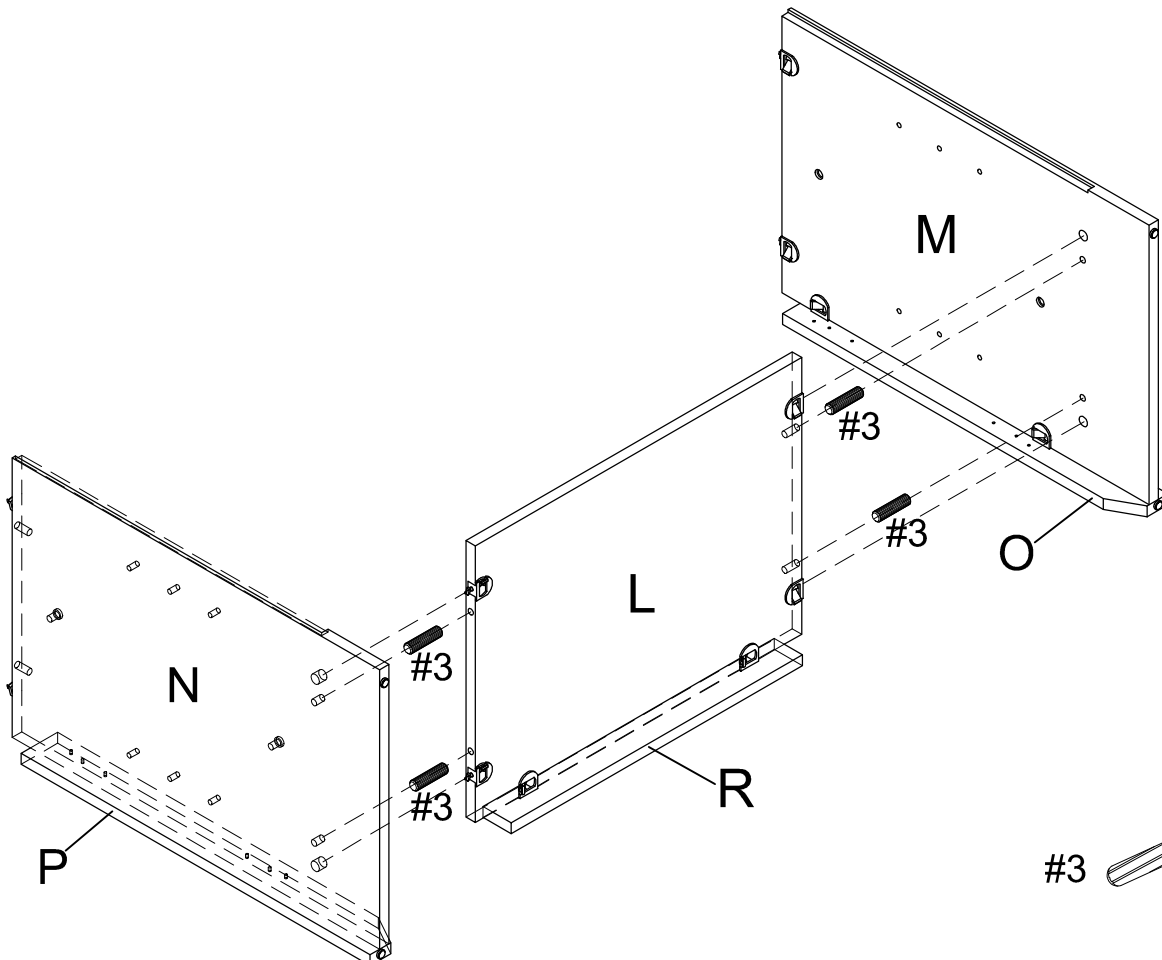
#3  x 2

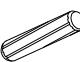
Step 4. Attach right front slat (part P) to right panel (part N) using wood dowels (part #3) and lock the hardware.



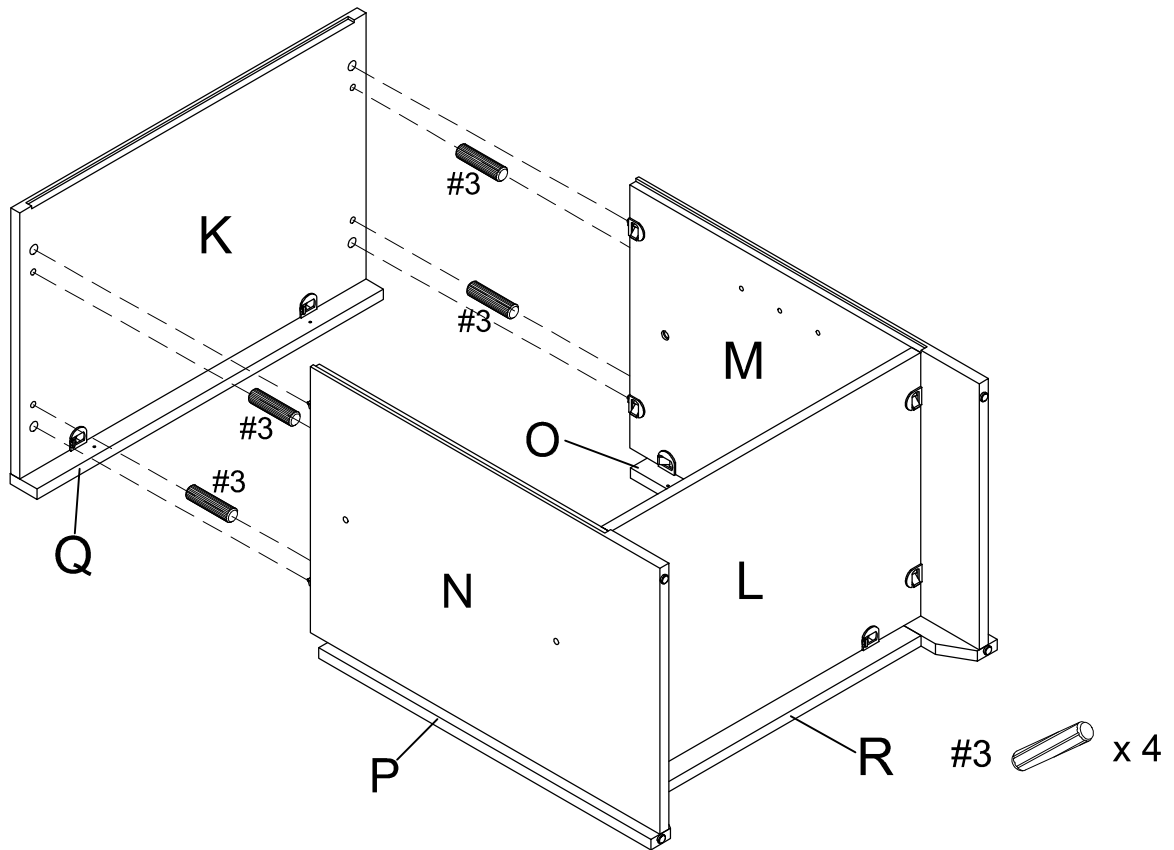
#3  x 2

Step 5. Attach assembled units (parts M & O) and (parts N & P) to assembled unit (parts L & R) using wood dowels (part #3) and lock the hardware.

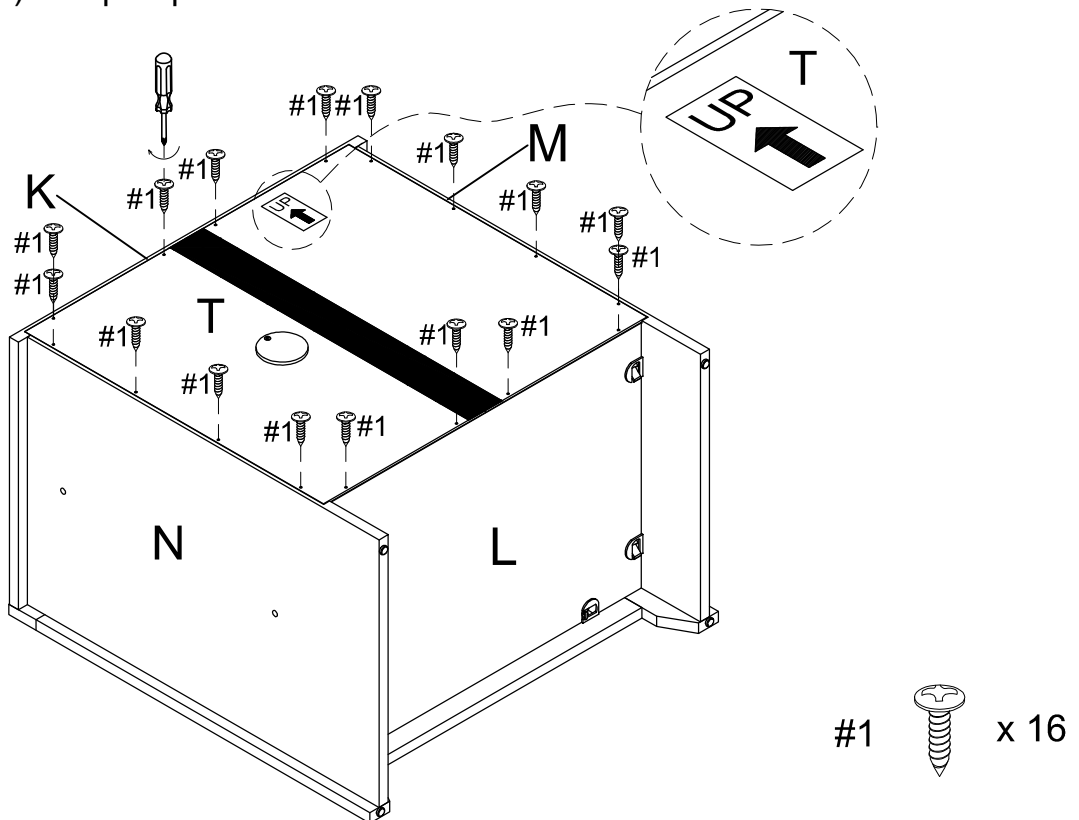


#3  x 4

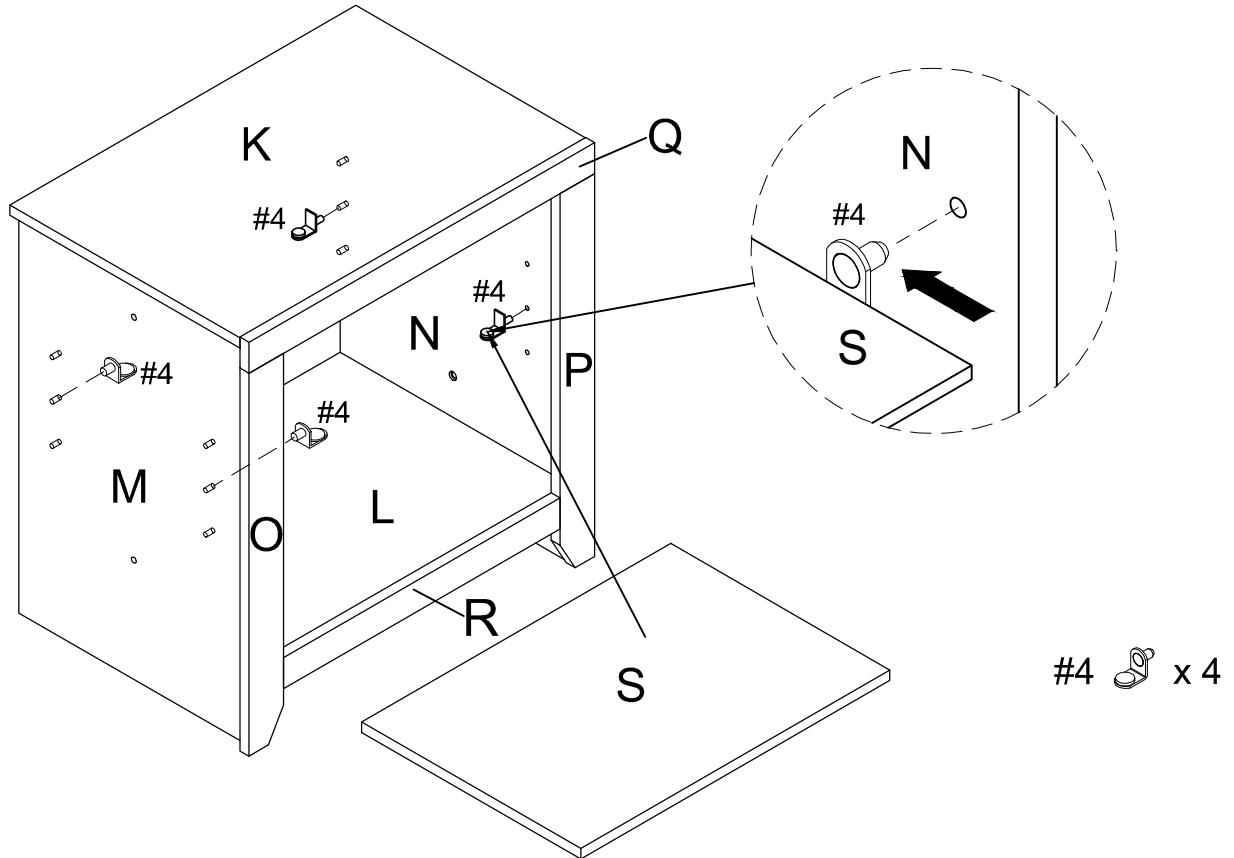
Step 6. Attach top panel (part K) to assembled unit (parts M & N) using wood dowels (part #3) and lock the hardware.



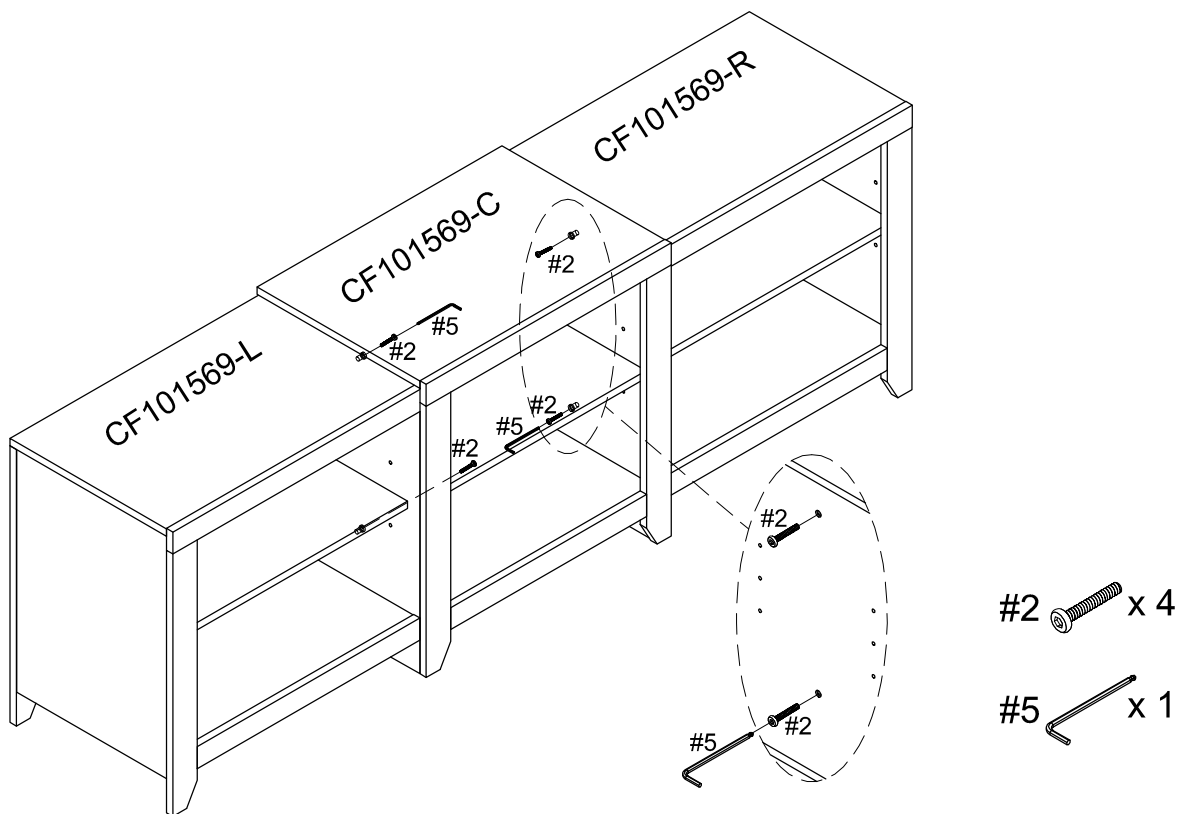
Step 7. Attach back panel (part T) to assembled unit (parts K, L, M & N) using screws (part #1) and phillips head screwdriver.



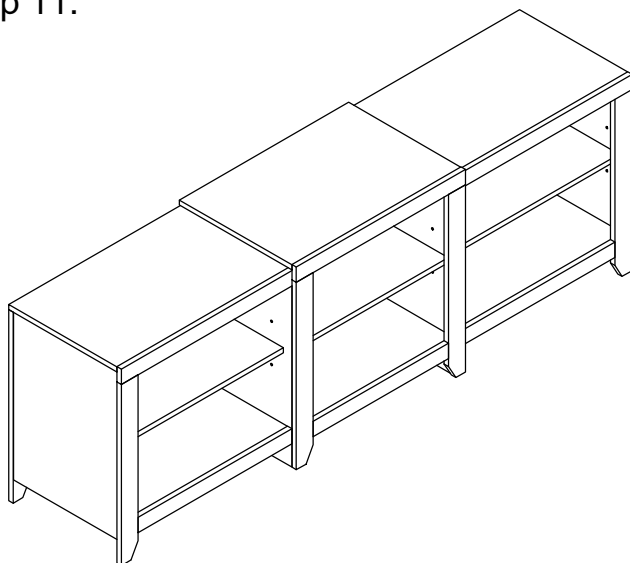
Step 8. Carefully turn unit upright. Place shelf holders (part #4) into desired position and then slide adjustable shelf (part S) into place.



Step 9. Attach left cabinet and right cabinet to center cabinet using bolts (part #2) and allen wrench (part #5).



Step 10. If you would like to add an electric fireplace (\* Not Included), please follow step 11.



Step 11. Fireplace Assembly: Remove adjustable shelf (part S) and back panel (part T). Install electric fireplace (\* Not Included) into the unit following the assembly instructions of the electric fireplace.

