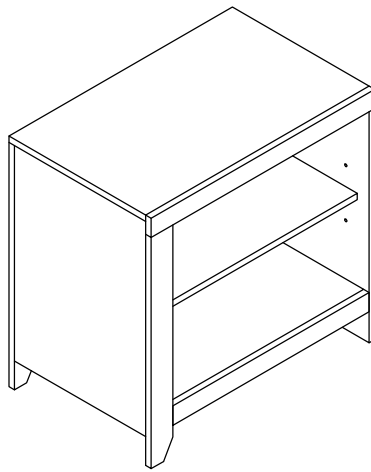


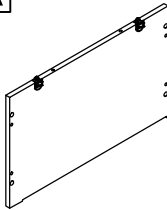
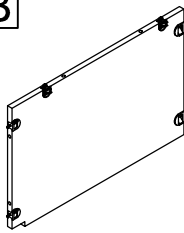
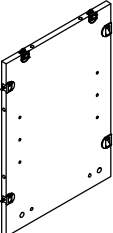
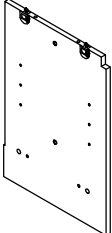


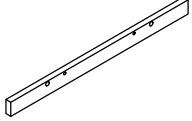
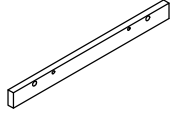
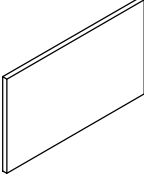
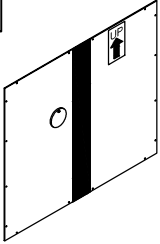
CROSLEY

FURNITURE

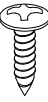


Low Profile TV Stand
(Left Cabinet)
CF101569-L



PART LIST

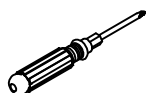
A 	B 	C 	D 	E 
Top Panel 1 PC	Bottom Panel 1 PC	Left Panel 1 PC	Right Panel 1 PC	Left Front Slat 1 PC
F 	G 	H 	I 	J 
Left Back Slat 1 PC	Upper Front Rail 1 PC	Lower Front Rail 1 PC	Adjustable Shelf 1 PC	Back Panel 1 PC

HARDWARE LIST

#1 	#2 	#3 
Ø3*15mm Screw 16 PCS (Extra 2)	Ø8*30mm Wood Dowel 16 PCS (Extra 2)	Shelf Holder 4 PCS

ADDITIONAL TOOLS (Not Provided)

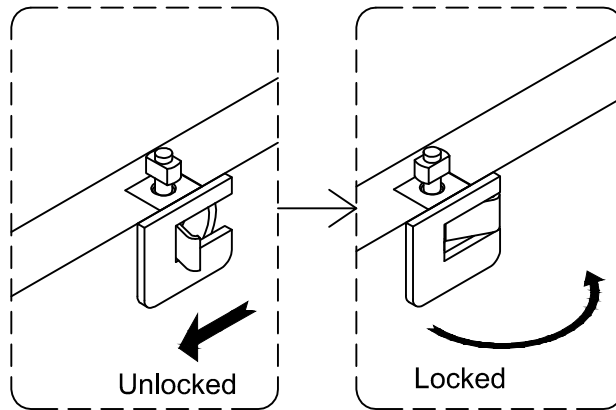
Note: It is not recommended to use power tools during assembly.



Phillips Head Screwdriver

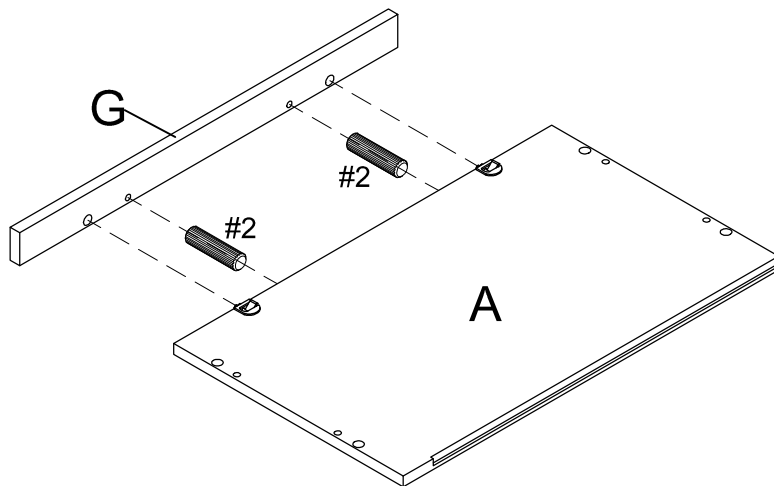
Note: Wood dowels are intended for alignment. Additional clearance between wood dowel and pre-drilled hole is intentional for ease of assembly.

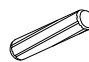
Please do not use tools to assemble this unit unless specifically indicated.



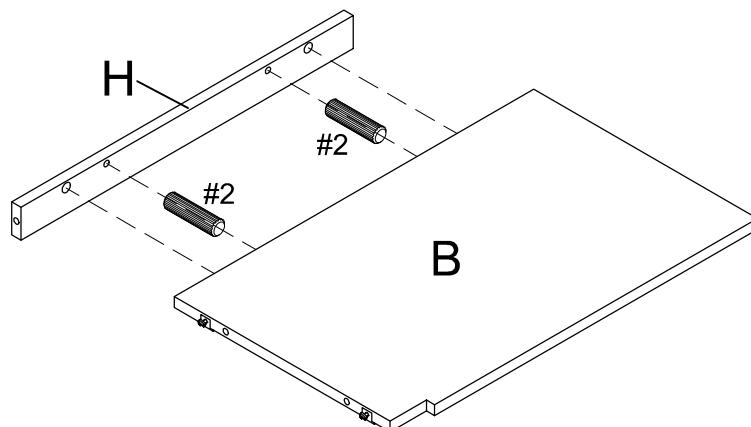
Reference the images above any time the instructions state "lock the hardware". Be sure to check all hardware is locked when complete.


Step 1. Attach upper front rail (part G) to top panel (part A) using wood dowels (part #2) and lock the hardware.



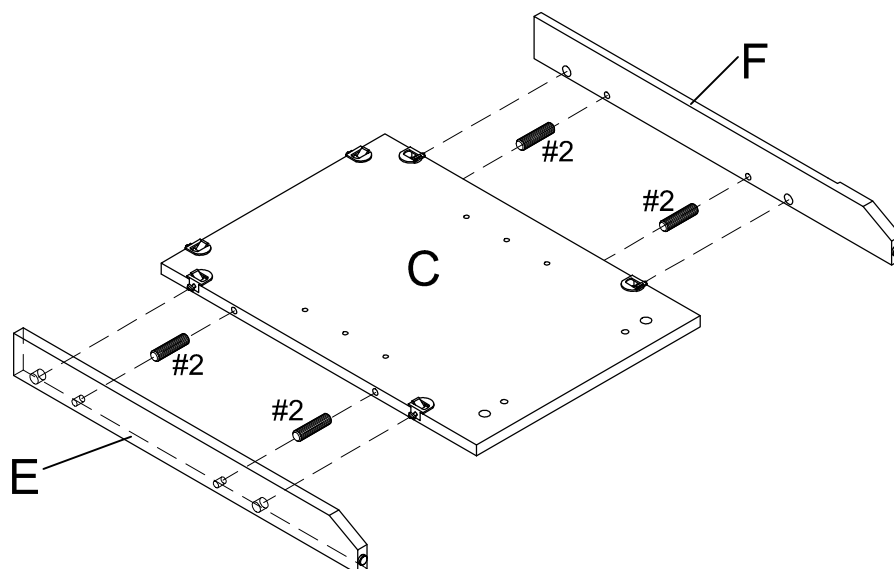
#2  x 2

Step 2. Attach lower front rail (part H) to bottom panel (part B) using wood dowels (part #2) and lock the hardware.



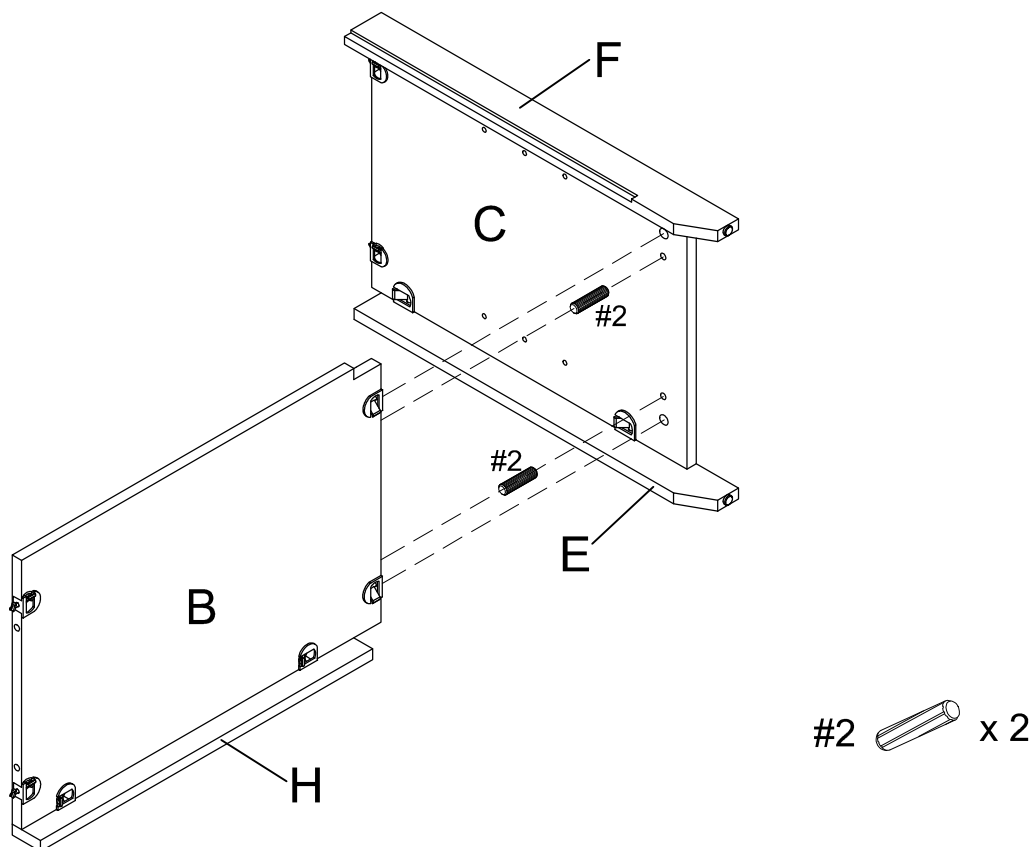
#2  x 2

Step 3. Attach slats (parts E & F) to left panel (part C) using wood dowels (part #2) and lock the hardware.

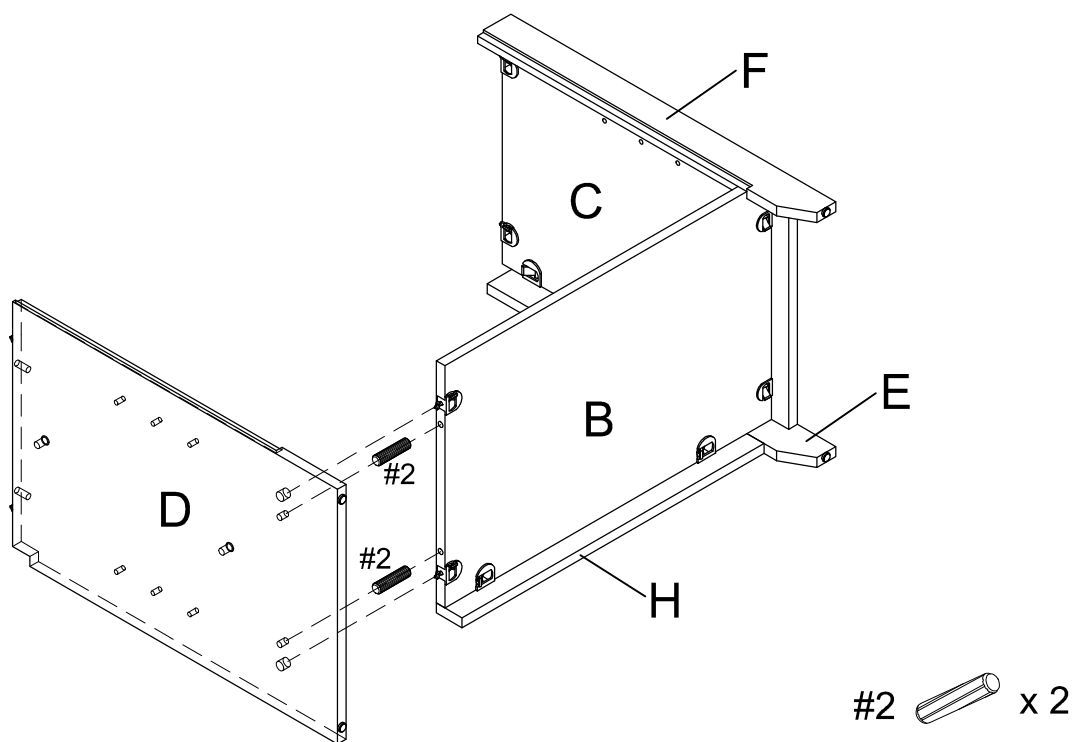


#2  x 4

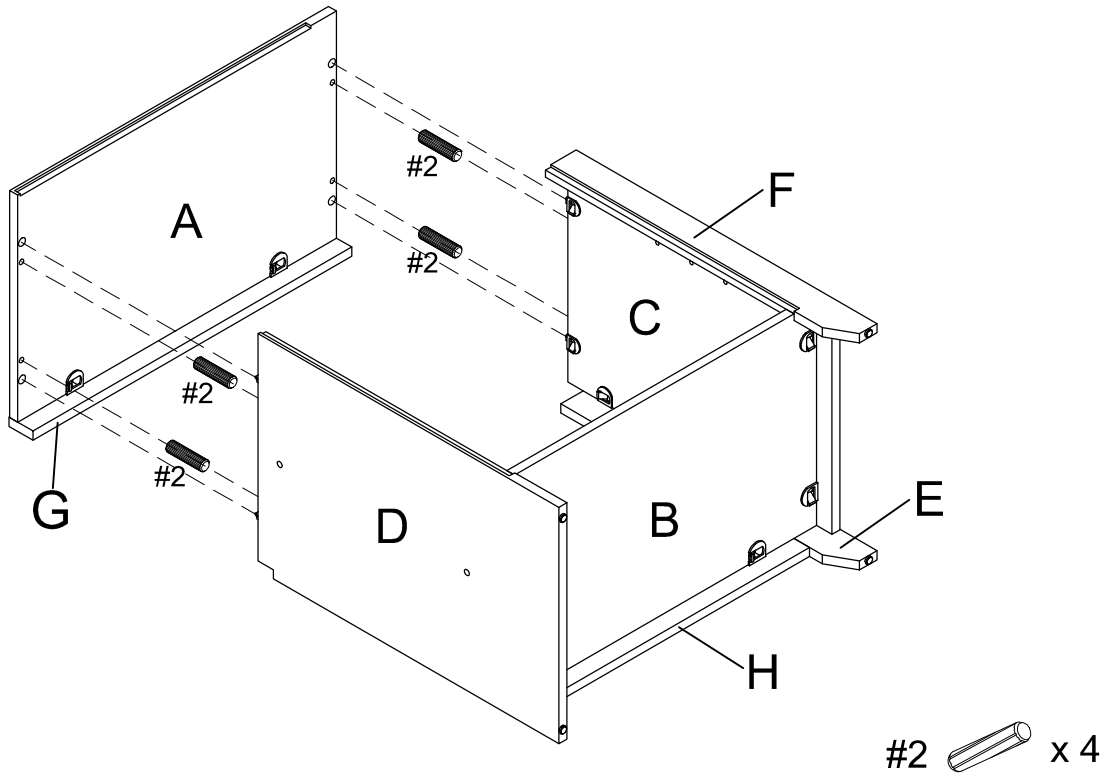
Step 4. Attach assembled unit (parts B & H) to assembled unit (parts C, E & F) using wood dowels (part #2) and lock the hardware.



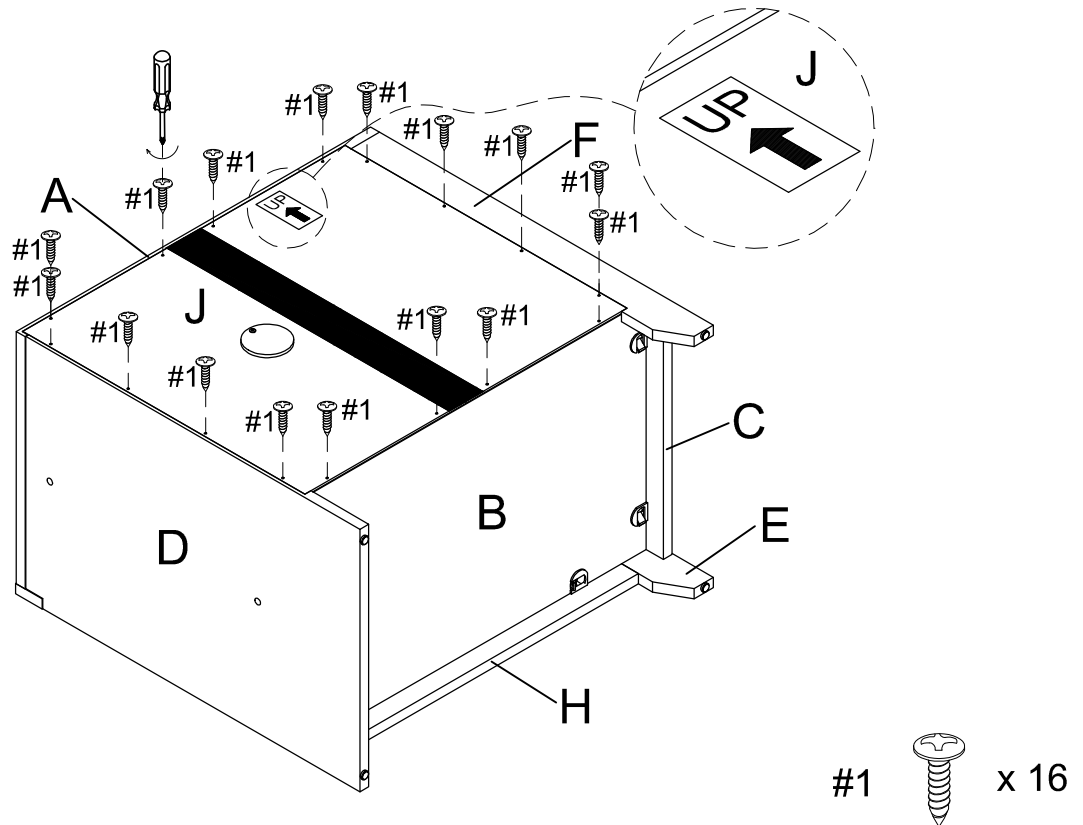
Step 5. Attach right panel (part D) to assembled unit (parts B & H) using wood dowels (part #2) and lock the hardware.



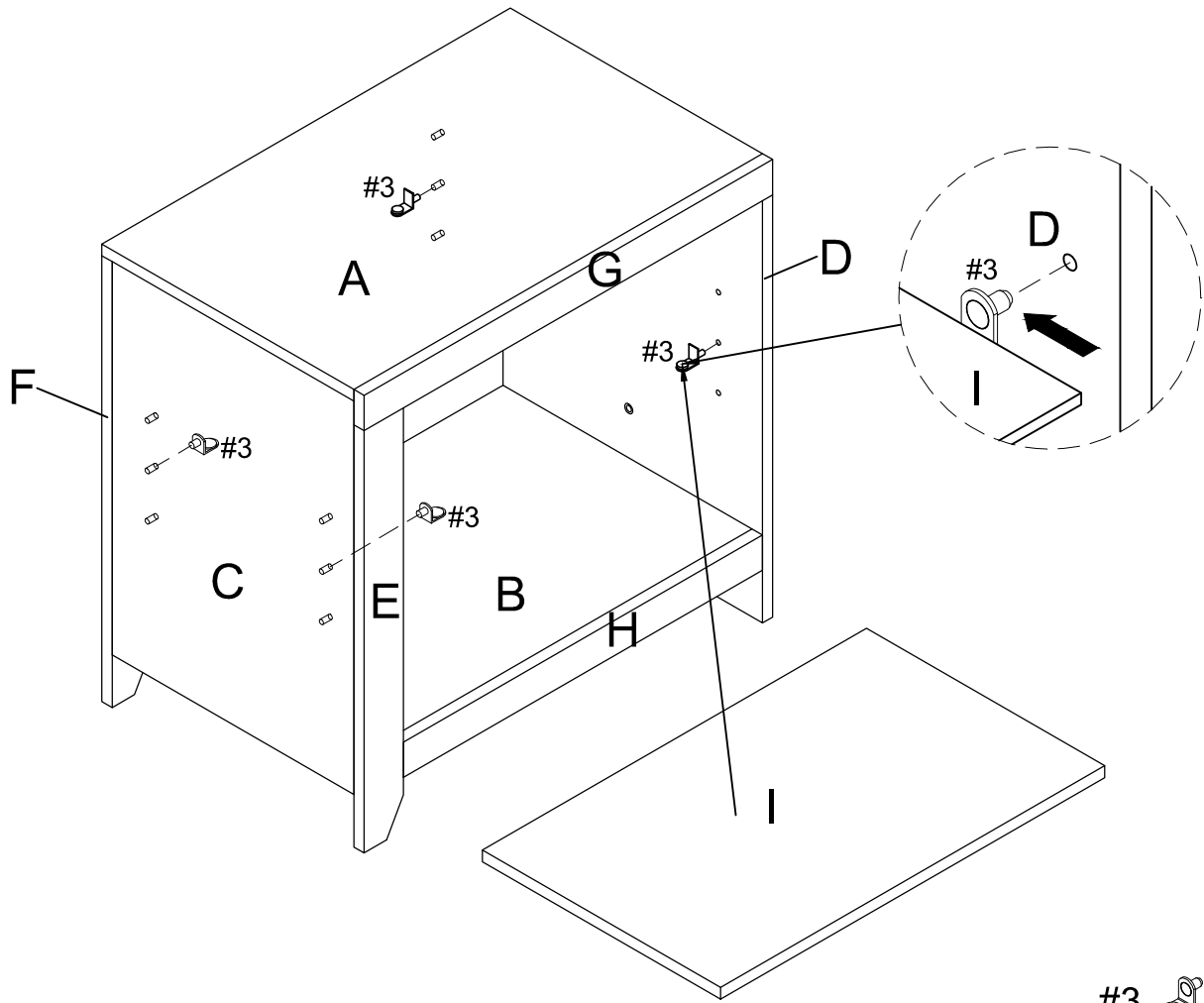
Step 6. Attach top panel (part A) to assembled unit (parts C & D) using wood dowels (part #2) and lock the hardware.



Step 7. Attach back panel (part J) to assembled unit (parts A, B, D & F) using screws (part #1) and phillips head screwdriver.



Step 8. Carefully turn unit upright. Place shelf holders (part #3) into desired position and then slide adjustable shelf (part I) into place.



#3  x 4