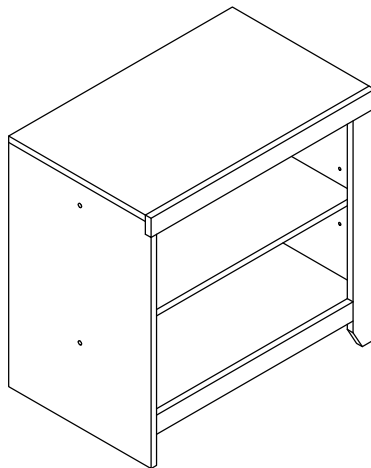


# **CROSLEY**

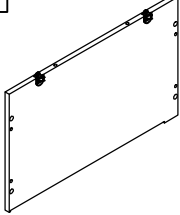
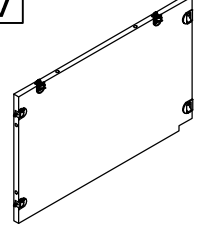
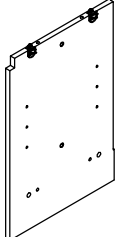
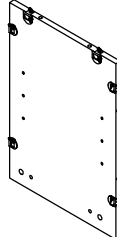


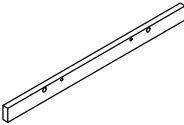
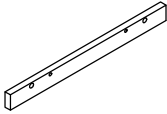
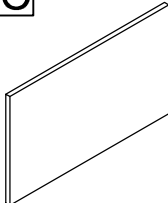
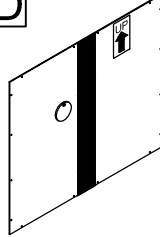
---

## FURNITURE

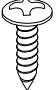

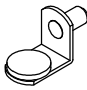
Low Profile TV Stand  
(Right Cabinet)  
CF101569-R



# PART LIST

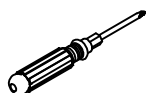
				
<p>Top Panel</p> <p>1 PC</p>	<p>Bottom Panel</p> <p>1 PC</p>	<p>Left Panel</p> <p>1 PC</p>	<p>Right Panel</p> <p>1 PC</p>	<p>Right Front Slat</p> <p>1 PC</p>
				
<p>Right Back Slat</p> <p>1 PC</p>	<p>Upper Front Rail</p> <p>1 PC</p>	<p>Lower Front Rail</p> <p>1 PC</p>	<p>Adjustable Shelf</p> <p>1 PC</p>	<p>Back Panel</p> <p>1 PC</p>

# HARDWARE LIST

<p>#1</p>	<p>#2</p>	<p>#3</p>
 <p>Ø3*15mm</p> <p>Screw</p>	 <p>Ø8*30mm</p> <p>Wood Dowel</p>	 <p>Shelf Holder</p>
<p>16 PCS (Extra 2)</p>	<p>16 PCS (Extra 2)</p>	<p>4 PCS</p>

ADDITIONAL TOOLS (Not Provided)

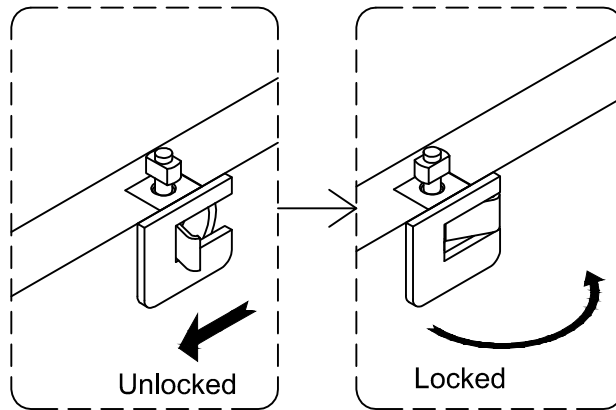
Note: It is not recommended to use power tools during assembly.



Phillips Head Screwdriver

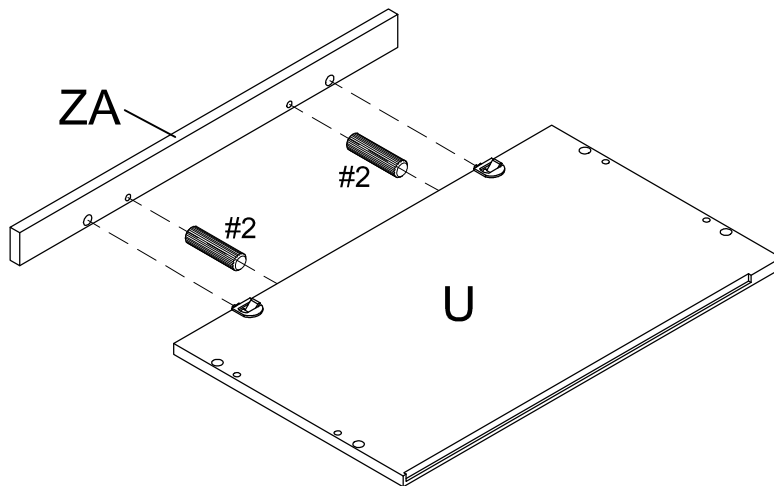
Note: Wood dowels are intended for alignment. Additional clearance between wood dowel and pre-drilled hole is intentional for ease of assembly.

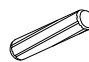
Please do not use tools to assemble this unit unless specifically indicated.



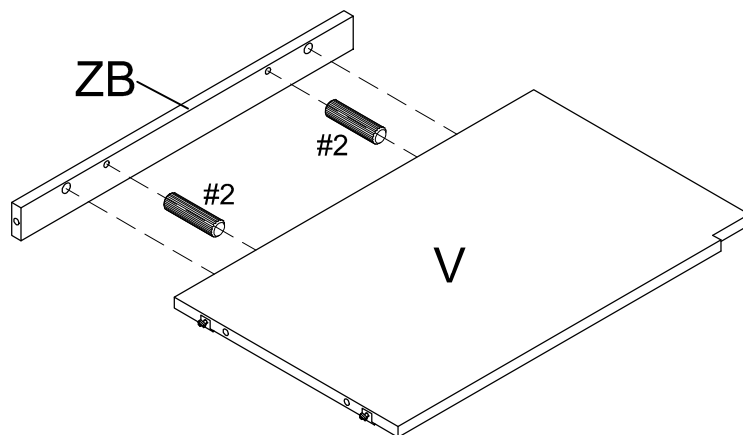
Reference the images above any time the instructions state "lock the hardware". Be sure to check all hardware is locked when complete.

Step 1. Attach upper front rail (part ZA) to top panel (part U) using wood dowels (part #2) and lock the hardware.



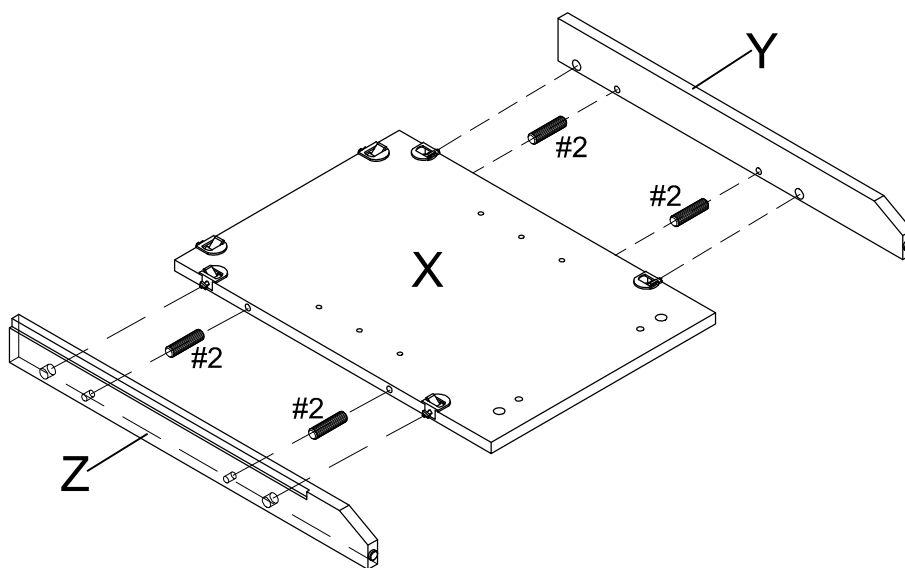
#2  x 2

Step 2. Attach lower front rail (part ZB) to bottom panel (part V) using wood dowels (part #2) and lock the hardware.



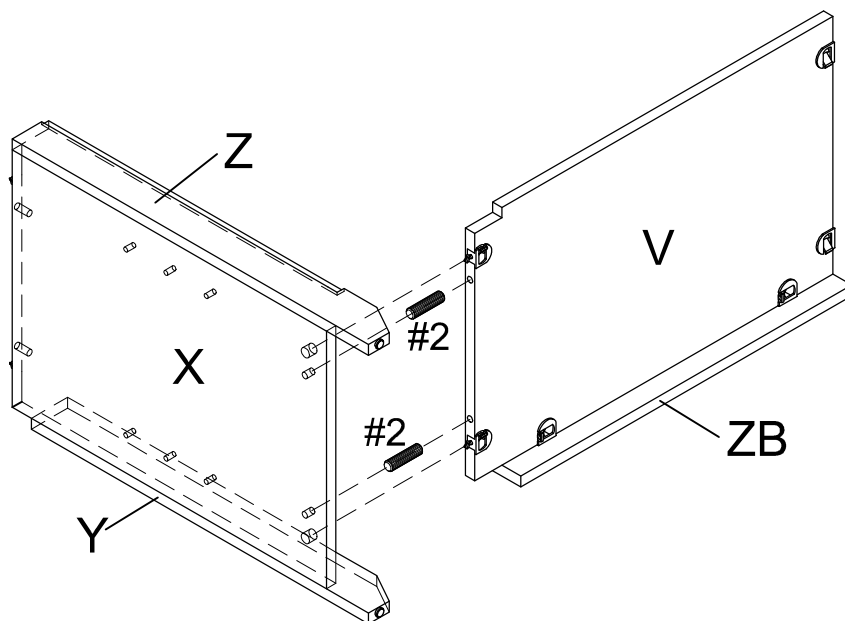
#2  x 2

Step 3. Attach slats (parts Y & Z) to right panel (part X) using wood dowels (part #2) and lock the hardware.



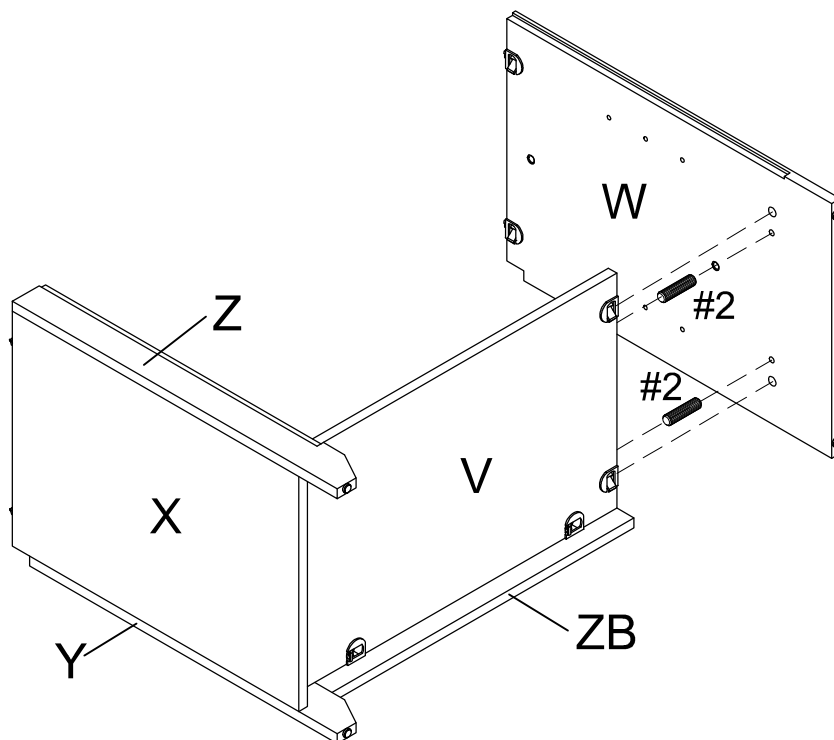
#2  x 4


Step 4. Attach assembled unit (parts V & ZB) to assembled unit (parts X, Y & Z) using wood dowels (part #2) and lock the hardware.



#2  x 2

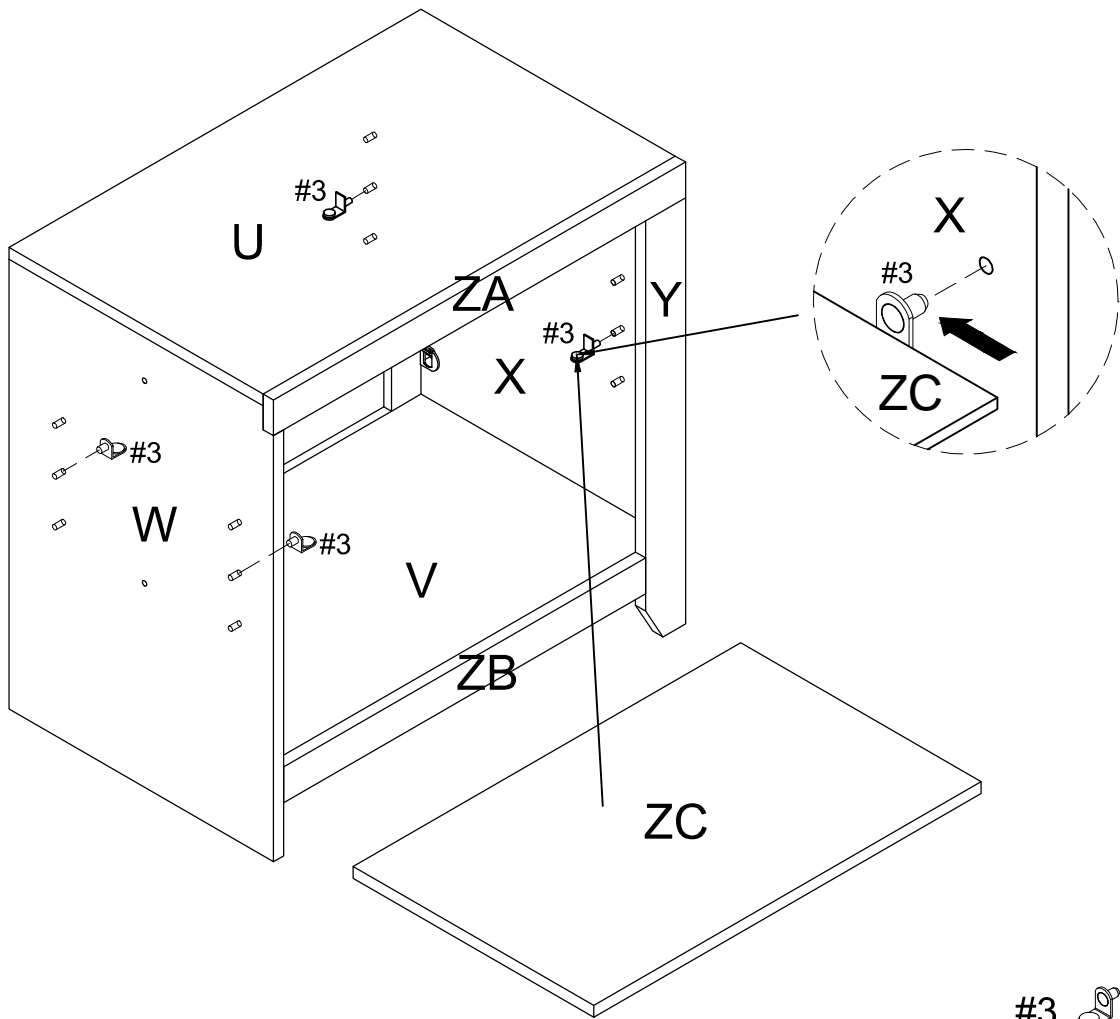
Step 5. Attach left panel (part W) to assembled unit (parts V & ZB) using wood dowels (part #2) and lock the hardware.



#2  x 2



Step 8. Carefully turn unit upright. Place shelf holders (part #3) into desired position and then slide adjustable shelf (part ZC) into place.



#3  x 4