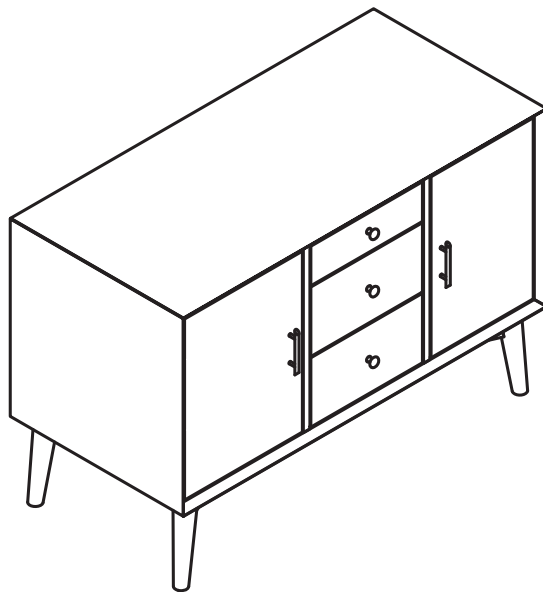


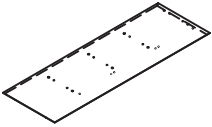
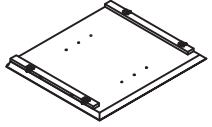

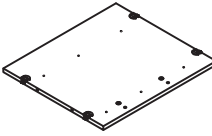
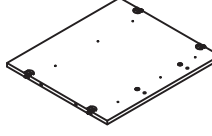
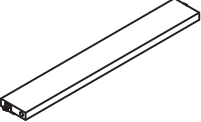
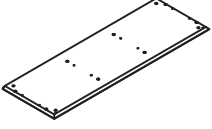
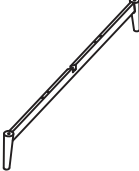
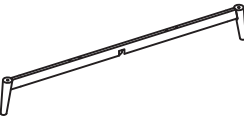
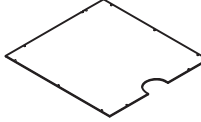
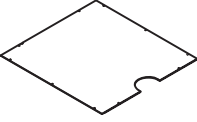
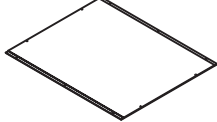
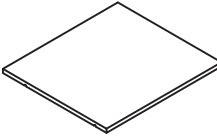
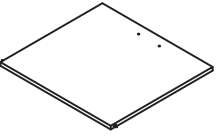
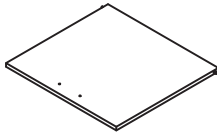
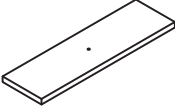
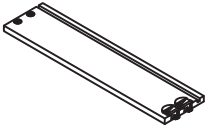
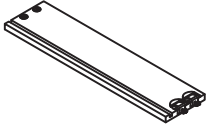
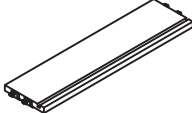
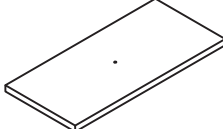

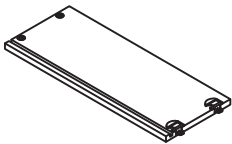

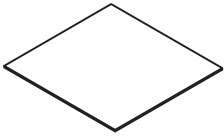
CROSLEY

FURNITURE








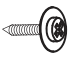





Buffet CF1107



PART LIST

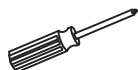
<p>A</p> 	<p>B</p> 	<p>C</p> 	<p>D</p> 	<p>E</p> 
<p>Top Panel 1 PC</p>	<p>Side Panel 2 PCS</p>	<p>Support Leg 2 PCS</p>	<p>Left Dividing Panel 1 PC</p>	<p>Right Dividing Panel 1 PC</p>
<p>F</p> 	<p>G</p> 	<p>H</p> 	<p>I</p> 	<p>J</p> 
<p>Front Rail 2 PCS</p>	<p>Bottom Panel 1 PC</p>	<p>Front Leg Frame 1 PC</p>	<p>Back Leg Frame 1 PC</p>	<p>Right Back Panel 1 PC</p>
<p>K</p> 	<p>L</p> 	<p>M</p> 	<p>N</p> 	<p>O</p> 
<p>Left Back Panel 1 PC</p>	<p>Middle Back Panel 1 PC</p>	<p>Adjustable Shelf 2 PCS</p>	<p>Left Door Panel 1 PC</p>	<p>Right Door Panel 1 PC</p>
<p>P</p> 	<p>Q</p> 	<p>R</p> 	<p>S</p> 	<p>T</p> 
<p>Front of Top Drawer 1 PC</p>	<p>Left Side Panel of Top Drawer 1 PC</p>	<p>Right Side Panel of Top Drawer 1 PC</p>	<p>Back Panel of Top Drawer 1 PC</p>	<p>Front of Bottom Drawer 2 PCS</p>
<p>U</p> 	<p>V</p> 	<p>W</p> 	<p>X</p> 	
<p>Left Side Panel of Bottom Drawer 2 PCS</p>	<p>Right Side Panel of Bottom Drawer 2 PCS</p>	<p>Back Panel of Bottom Drawer 2 PCS</p>	<p>Bottom Panel of Drawer 3 PCS</p>	

HARDWARE LIST

<p>#1</p> 	<p>#2</p>  <p>Ø8x30</p>	<p>#3</p> 	<p>#4</p> 	<p>#5</p>  <p>M4</p>
<p>Safety Strap Kit 1 PC</p>	<p>Large Wood Dowel 16 PCS (Extra 1)</p>	<p>Bolt 4 PCS</p>	<p>Long Bolt 4 PCS</p>	<p>Allen Wrench 1 PC</p>
<p>#6</p> 	<p>#7</p> 	<p>#8</p> 	<p>#9</p> 	<p>#10</p> 
<p>Magnet 2 PCS</p>	<p>Magnet Screw 4 PCS (Extra 1)</p>	<p>Panel Screw 24 PCS (Extra 1)</p>	<p>Shelf Pin 8 PCS</p>	<p>Knob 3 PCS</p>
<p>#11</p> 	<p>#12</p> 	<p>#13</p>  <p>Ø6x30</p>		
<p>Handle 2 PCS</p>	<p>Round Head Bolt 7 PCS</p>	<p>Wood Dowel 32 PCS (Extra 1)</p>		

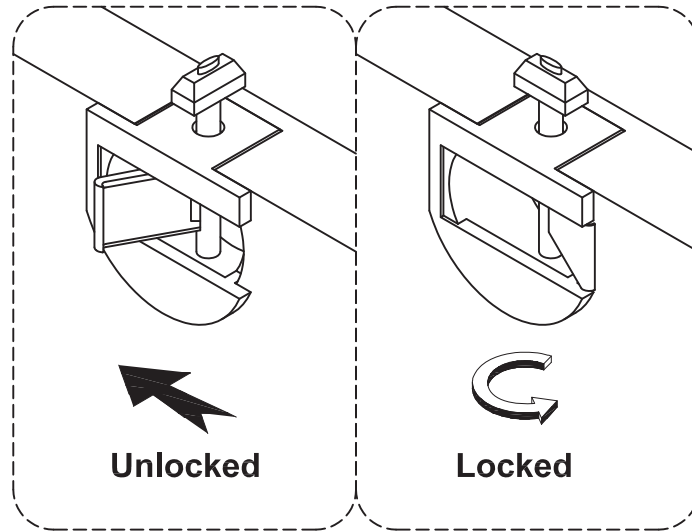
ADDITIONAL TOOLS (Not Provided)

Note: It is not recommended to use power tools during assembly.



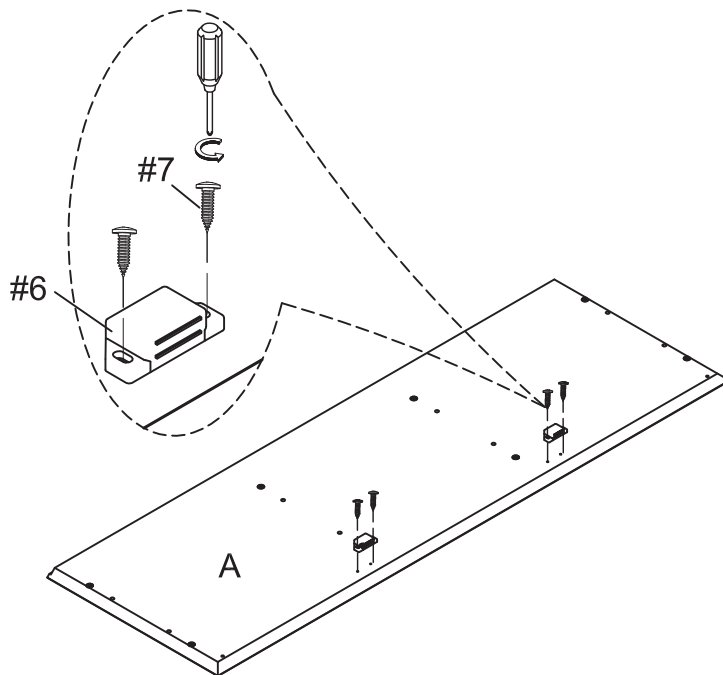
Phillips Head Screwdriver



Please do not use tools to assemble this unit unless specifically indicated.



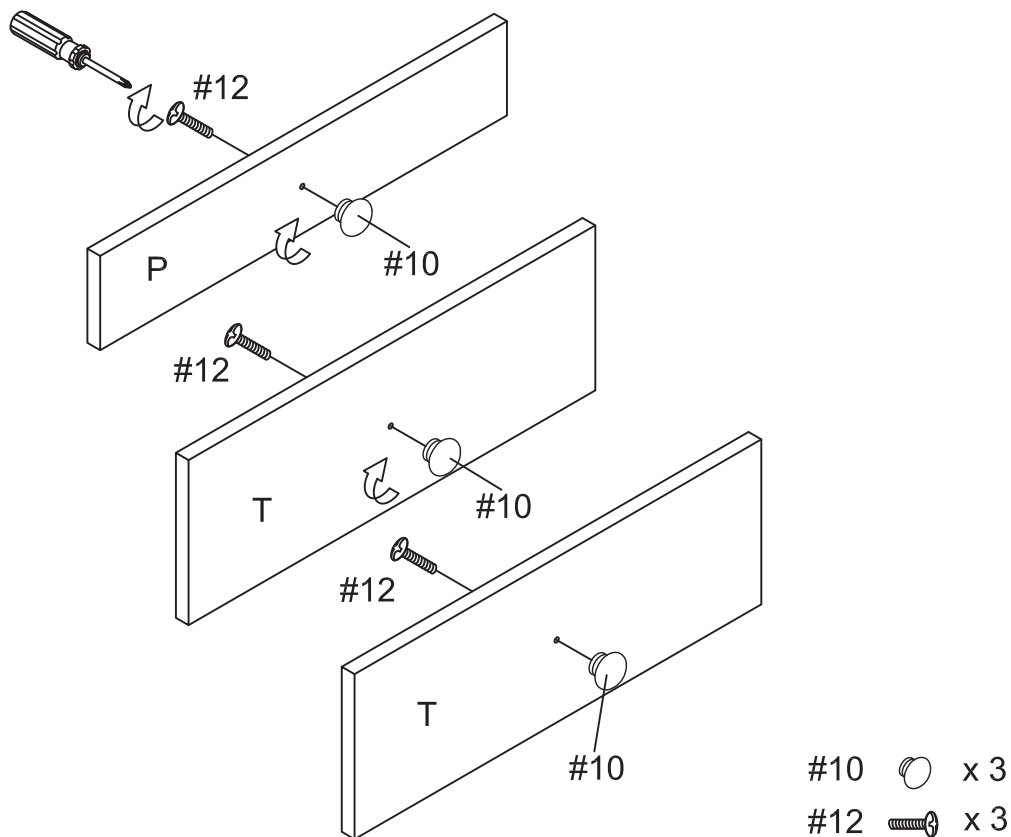
Reference the images above any time the instructions state "lock the hardware".
Note: Be sure to check all hardware is locked when completed.

Step 1. Attach magnets (part #6) to pre-drilled holes of top panel (part A) by using magnet screws (part #7) and phillips head screwdriver.

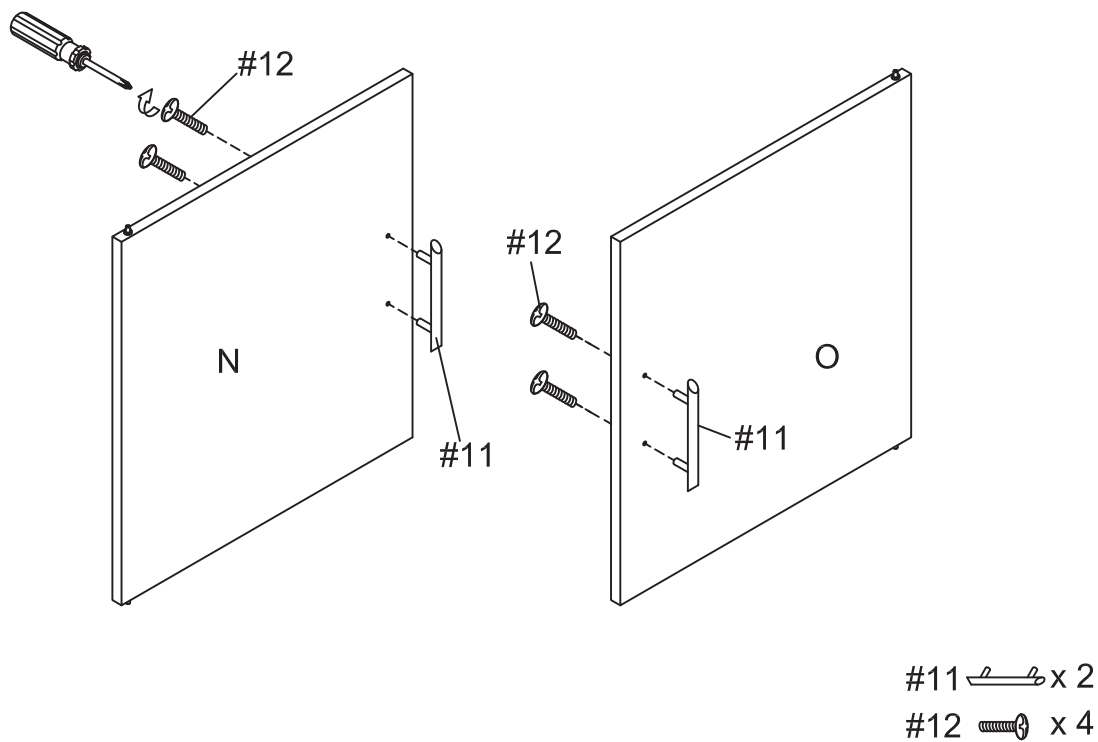


- #7  x 4
- #6  x 2

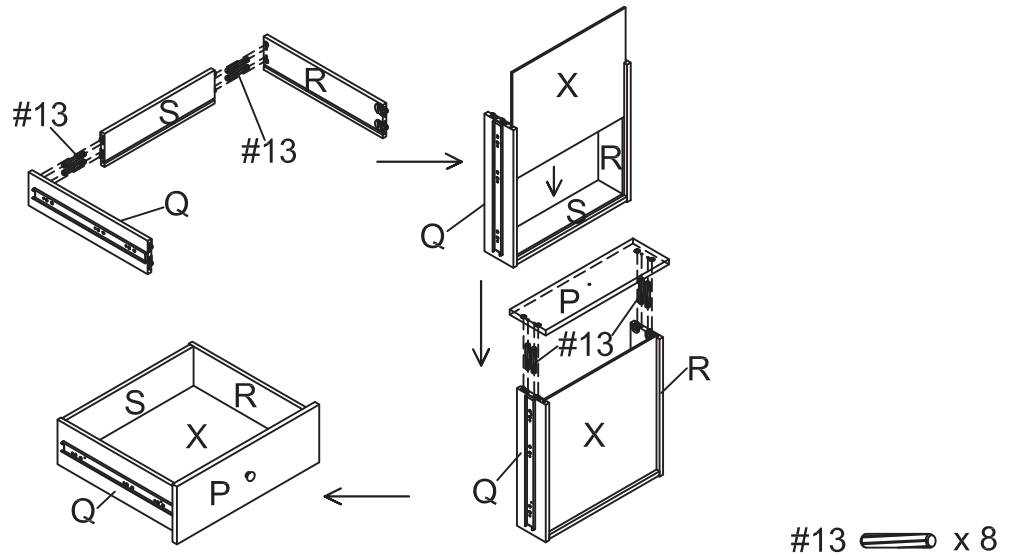
Step 2. Attach knobs (part #10) to front of top drawer (part P) and front of bottom drawers (part T) by using round head bolts (part #12) and phillips head screwdriver.



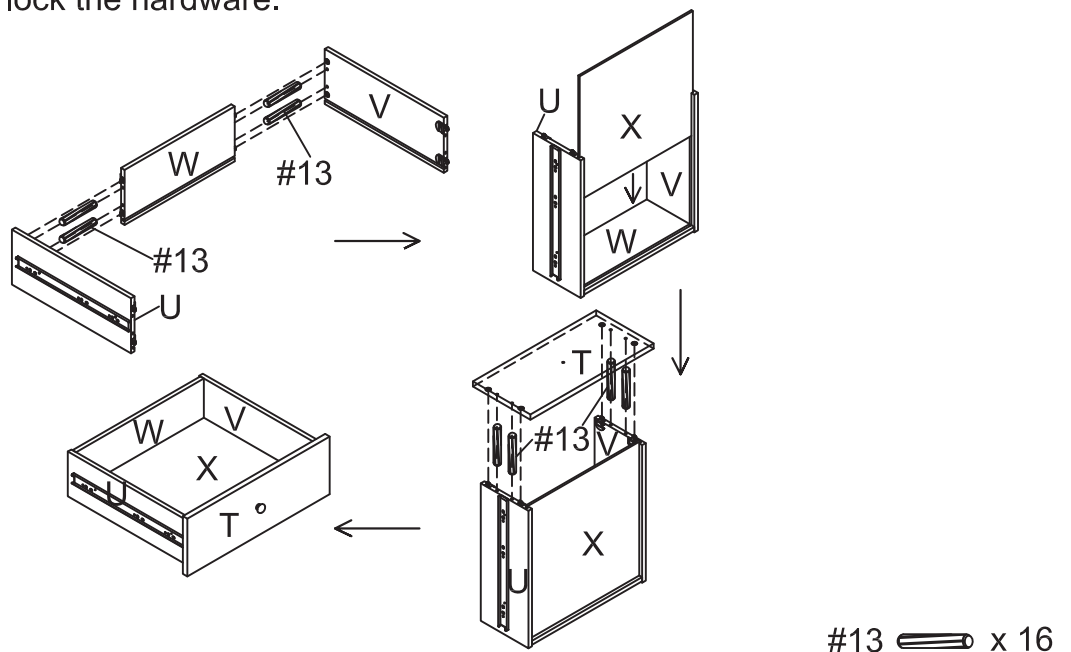
Step 3. Attach handles (part #11) to left door panel (part N) and right door panel (part O) using round head bolts (part #12) and phillips head screwdriver.



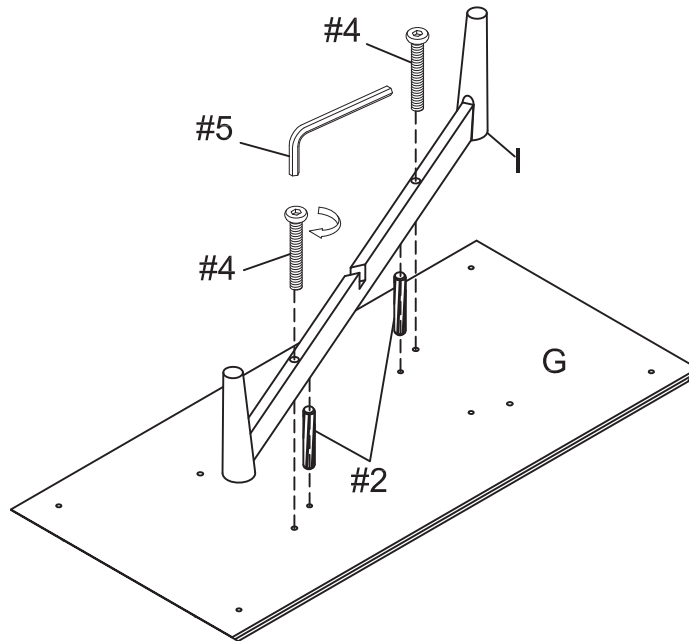
Step 4. Attach left side panel of top drawer (part Q) and right side panel of top drawer (part R) to back panel of top drawer (part S) by using wood dowels (part #13) and lock the hardware. Slide bottom panel of drawer (part X) into the grooves of left side panel of top drawer (part Q) and right side panel of top drawer (part R). Attach front of top drawer (part P) to left side panel of top drawer (part Q) and right side panel of top drawer (part R) using wood dowels (part #13) and lock the hardware.






Step 5. Attach left side panels of bottom drawers (part U) and right side panels of bottom drawers (part V) to back panels of bottom drawers (part W) by using wood dowels (part #13) and lock the hardware. Slide bottom panels of drawers (part X) into the grooves of left side panels of bottom drawers (part U) and right side panels of bottom drawers (part V). Attach front of bottom drawers (part T) to left side panels of bottom drawers (part U) and right side panels of bottom drawers (part V) using wood dowels (part #13) and lock the hardware.

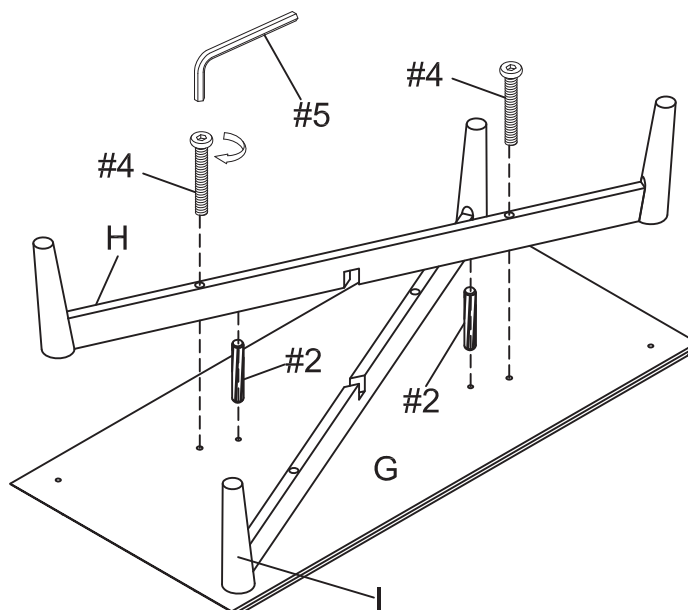


Step 6. Attach back leg frame (part I) to bottom panel (part G) by using large wood dowels (part #2), long bolts (part #4) and allen wrench (part #5).



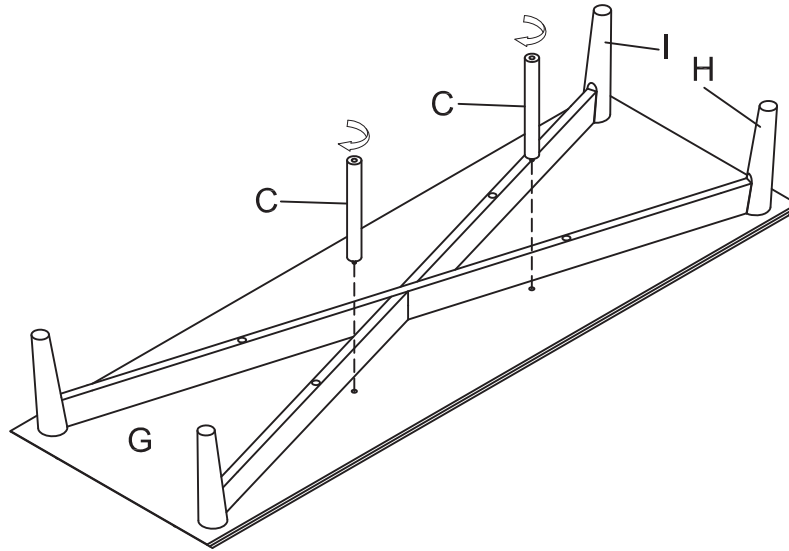
- #2  x 2
- #4  x 2
- #5  x 1

Step 7. Attach front leg frame (part H) to bottom panel (part G) by using large wood dowels (part #2), long bolts (part #4) and allen wrench (part #5).

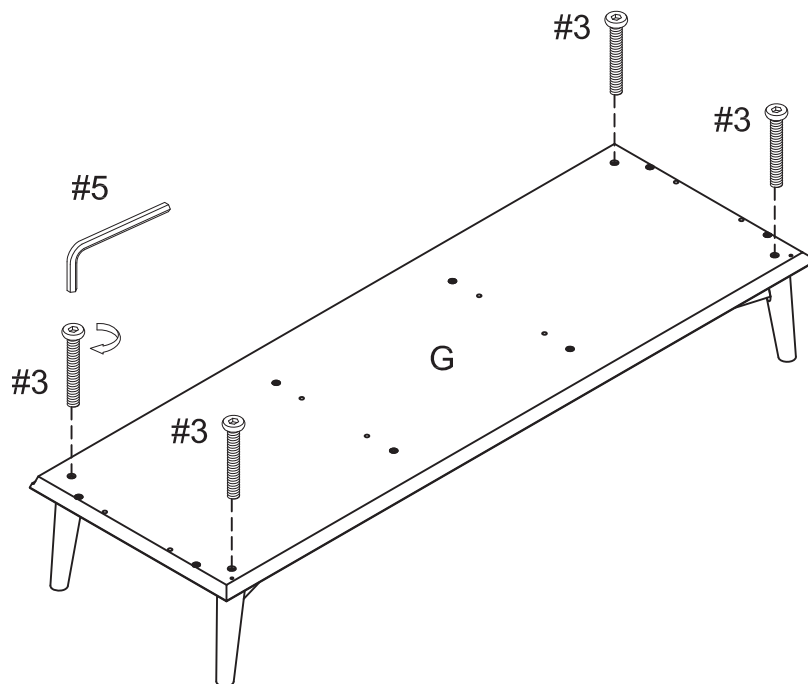


- #2  x 2
- #4  x 2
- #5  x 1

Step 8. Attach support legs (part C) to bottom panel (part G).

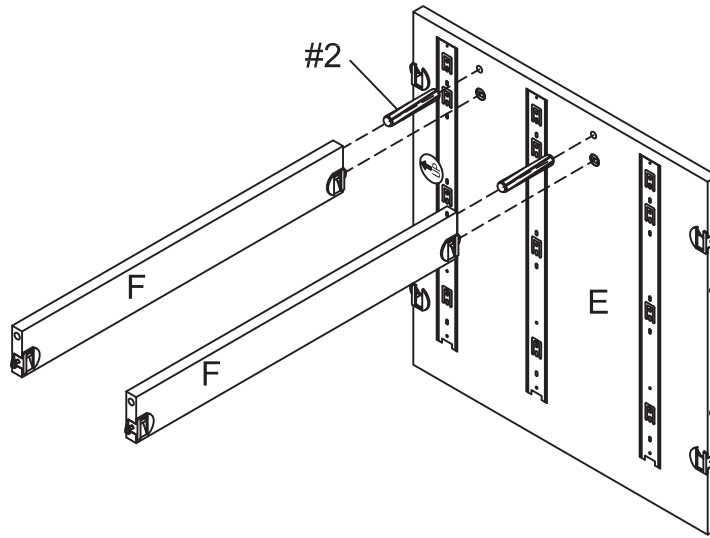


Step 9. Carefully turn the assembly over, and secure back leg frame (part I) and front leg frame (part H) to bottom panel (part G) by using bolts (part #3) and allen wrench (part #5).



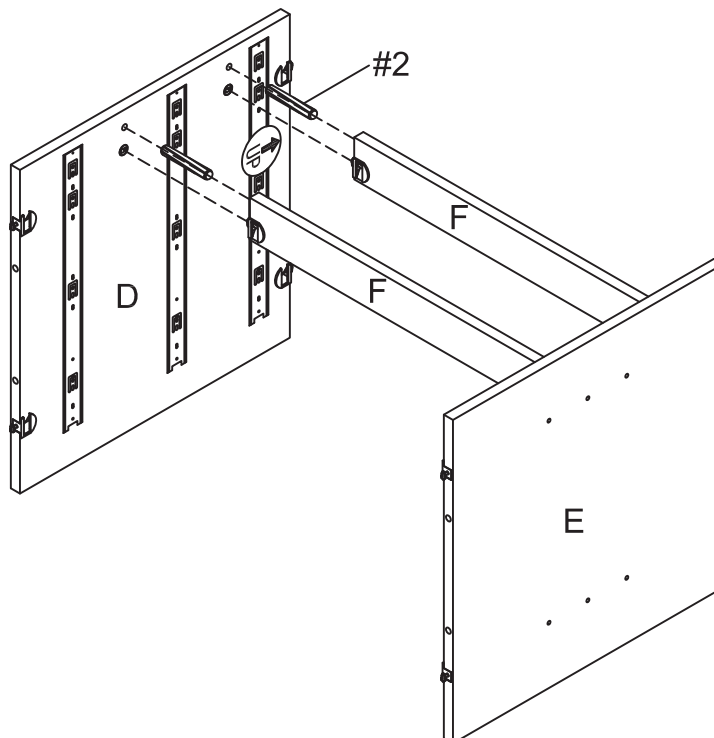
#3  x 4
#5  x 1

Step 10. Attach front rails (part F) to right dividing panel (part E) by using large wood dowels (part #2) and lock the hardware.



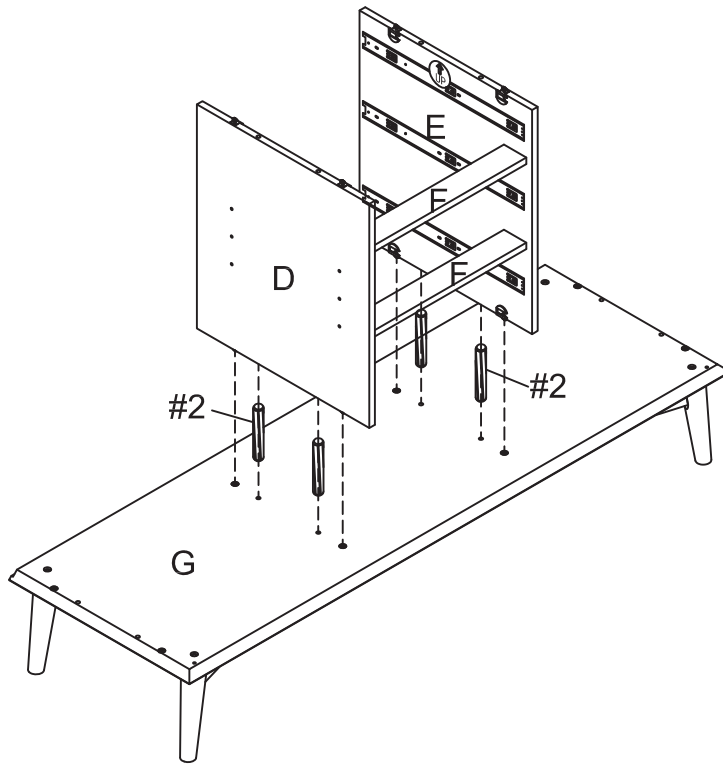
#2  x 2

Step 11. Attach left dividing panel (part D) to front rails (part F) by using large wood dowels (part #2) and lock the hardware.



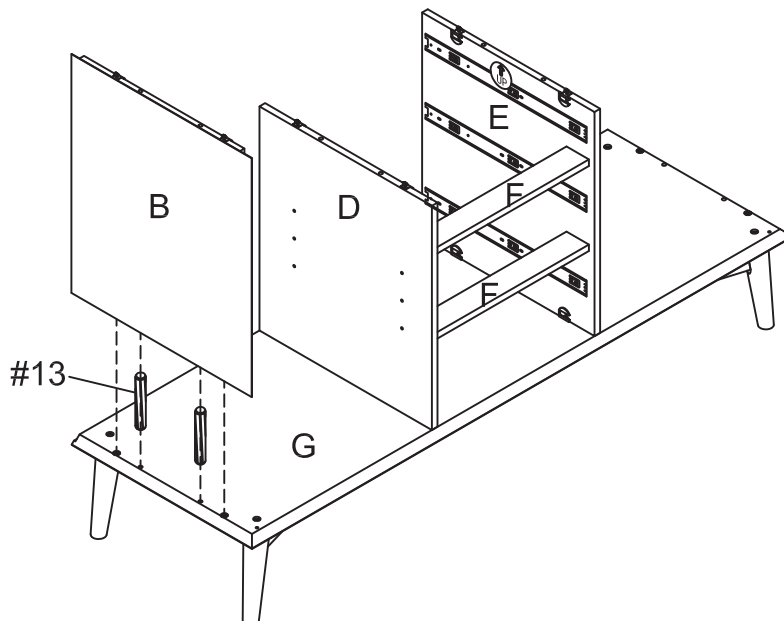
#2  x 2

Step 12. Attach left dividing panel (part D) and right dividing panel (part E) to bottom panel (part G) by using large wood dowels (part #2) and lock the hardware.



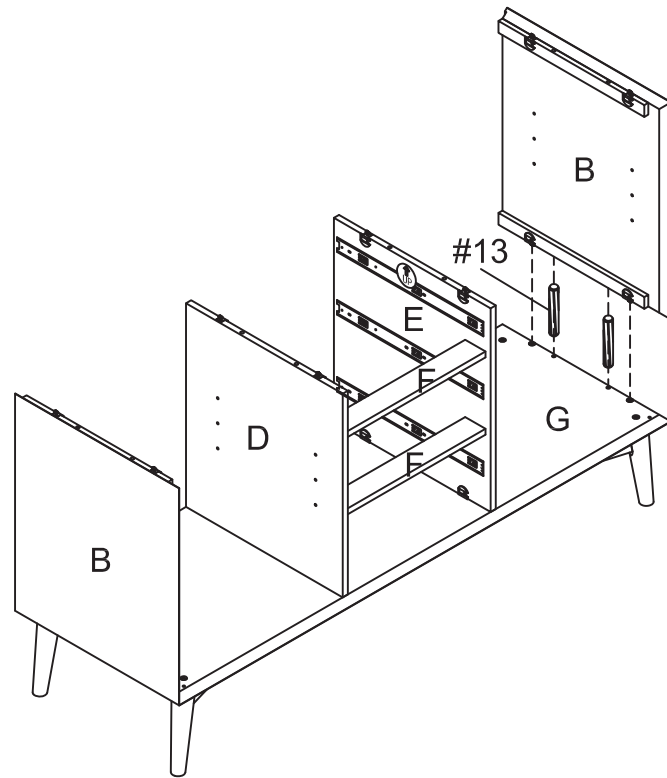
#2  x 4

Step 13. Attach side panel (part B) to bottom panel (part G) by using wood dowels (part #13) and lock the hardware.



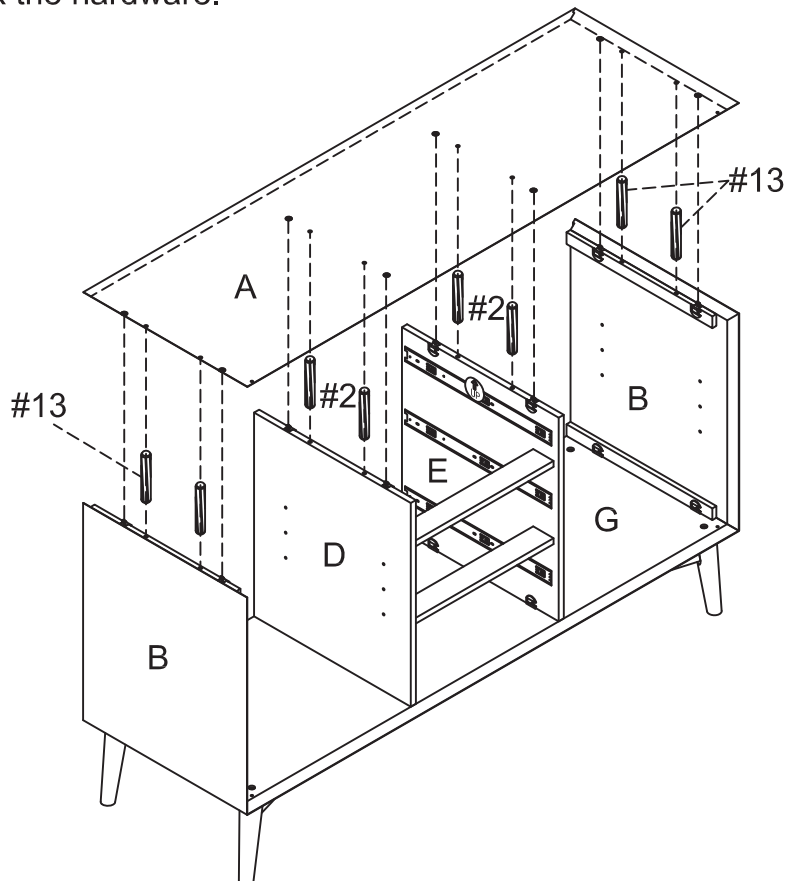
#13  x 2

Step 14. Attach side panel (part B) to bottom panel (part G) by using wood dowels (part #13) and lock the hardware.



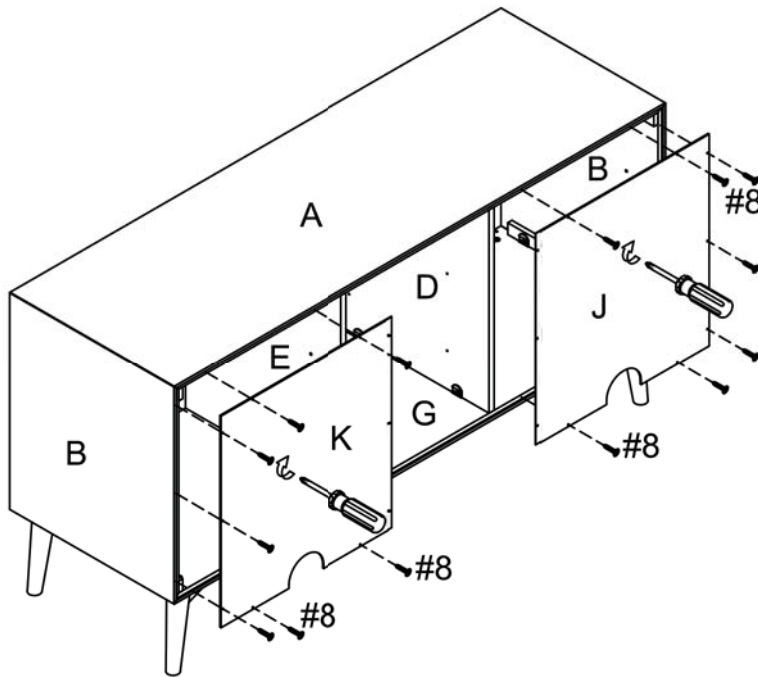
#13  x 2

Step 15. Attach top panel (part A) to side panels (part B), left dividing panel (part D) and right dividing panel (part E) by using wood dowels (part #13) and large wood dowels (part #2) and lock the hardware.



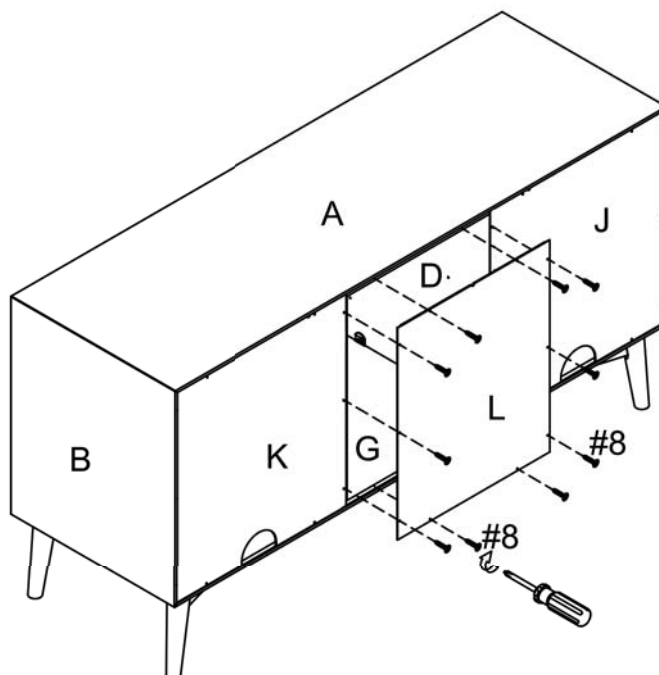
#2  x 4
#13  x 4

Step 16. Turning the unit around, attach right back panel (part J) and left back panel (part K) to top panel (part A), side panels (part B) and bottom panel (part G) by using panel screws (part #8) and phillips head screwdriver.



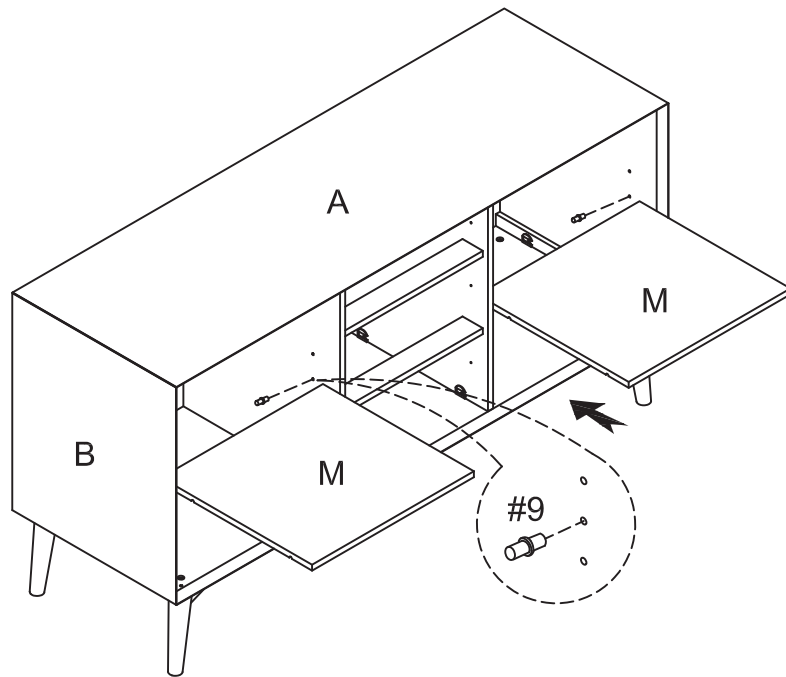
#8  x 14


Step 17. Attach middle back panel (part L) to top panel (part A), bottom panel (part G), right back panel (part J) and left back panel (part K) by using panel screws (part #8) and phillips head screwdriver.



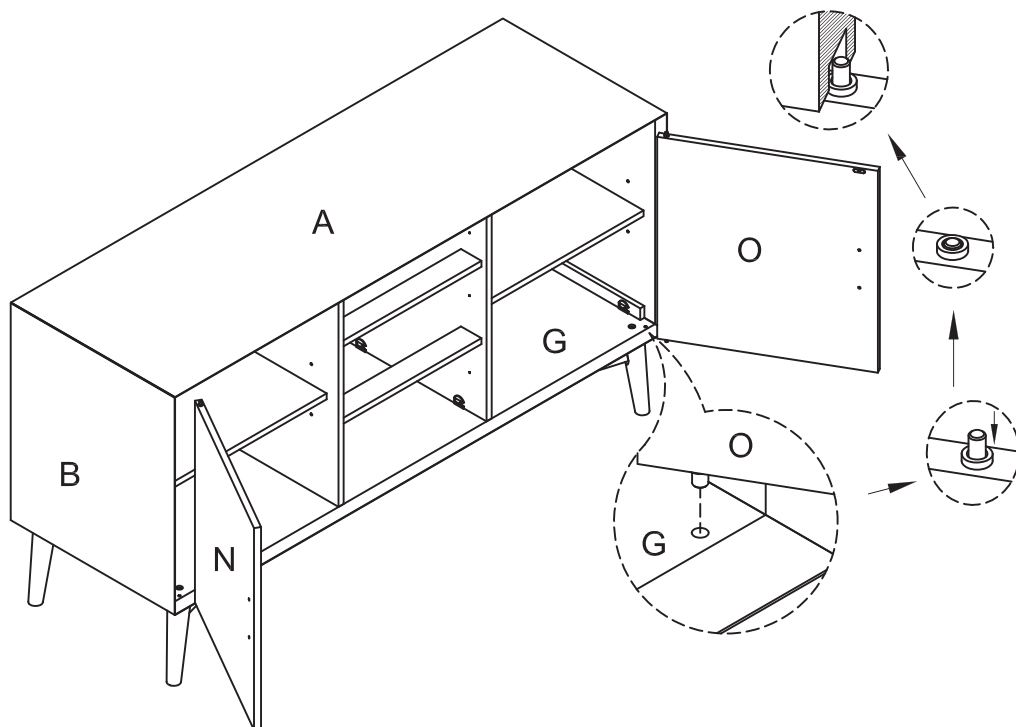
#8  x 10

Step 18. Insert shelf pins (part #9) into desired position and slide adjustable shelves (part M) into place.



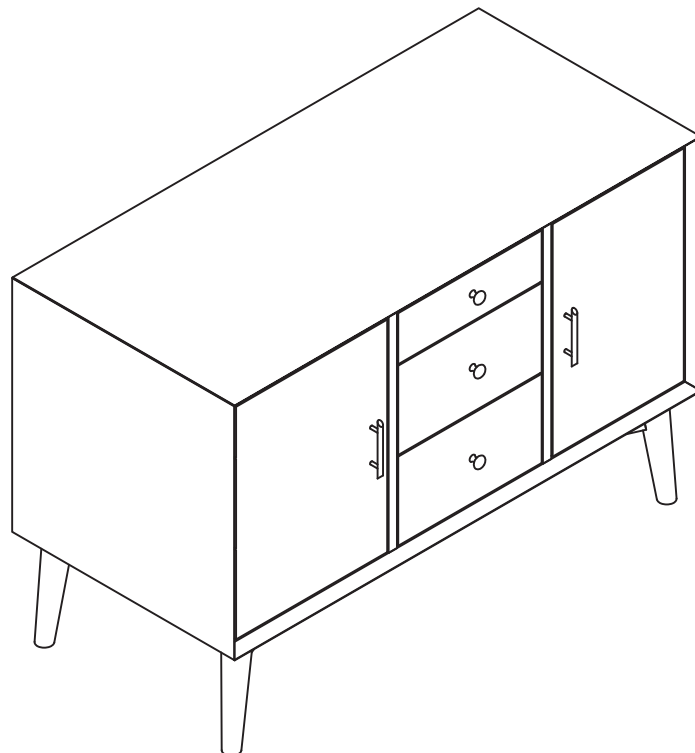
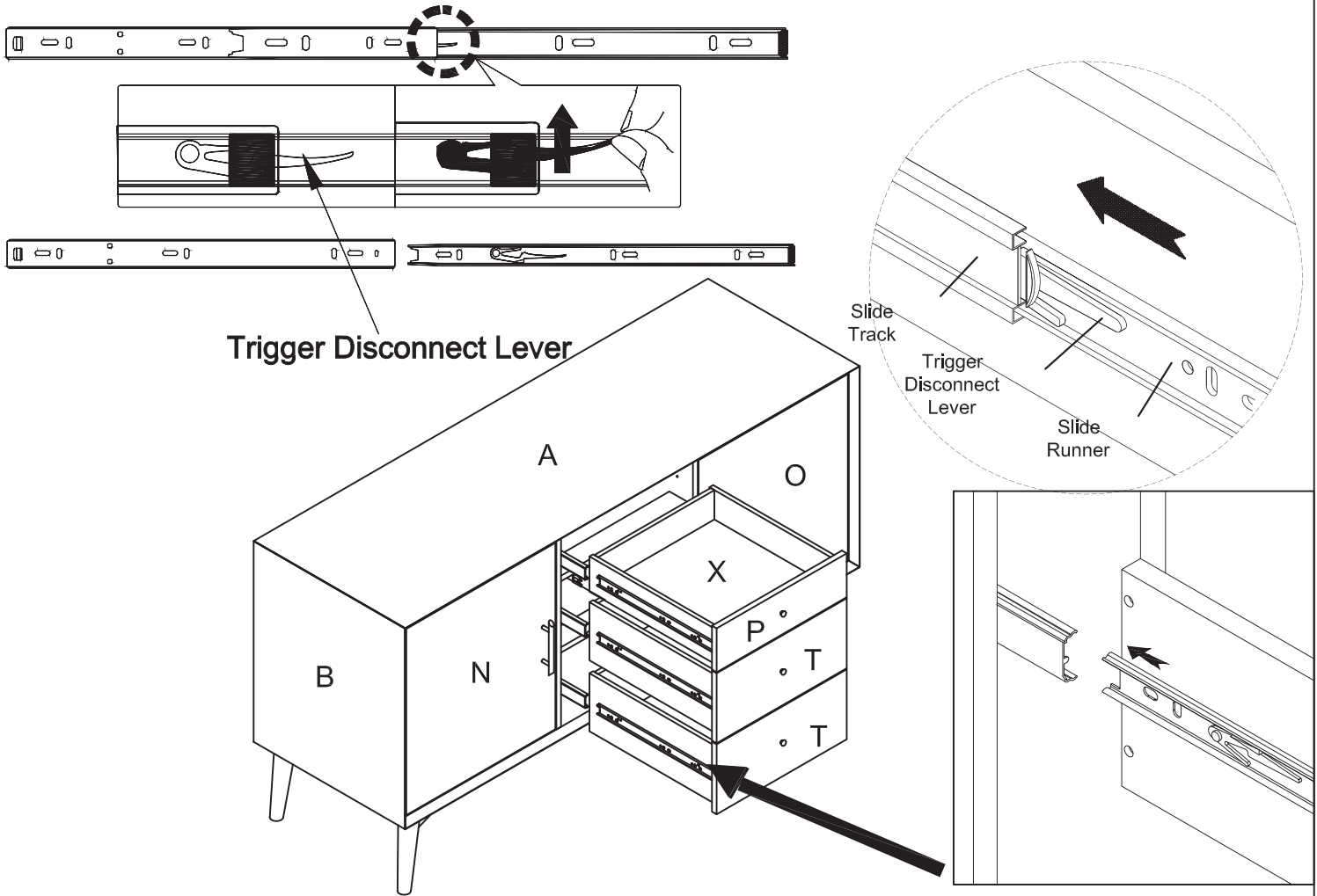
#9  x 8


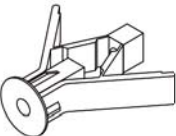



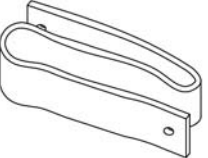
Step 19. Attach left door panel (part N) and right door panel (part O) to top panel (part A) and bottom panel (part G) by using hinges (pre-assembled).



Step 20. Slide completed drawers into place.

Note: To release trigger disconnect levers push one side up and the other down.



# 1 	A 	B 	C 	D 	E 
Safety Strap Kit 1 PC	Wall Anchor A x 1 PC	Washer B x 2 PCS	D8*3/4" Short Screw C x 1 PC	D8*1-1/2" Long Screw D x 1 PC	Safety Wall Strap E x 1 PC

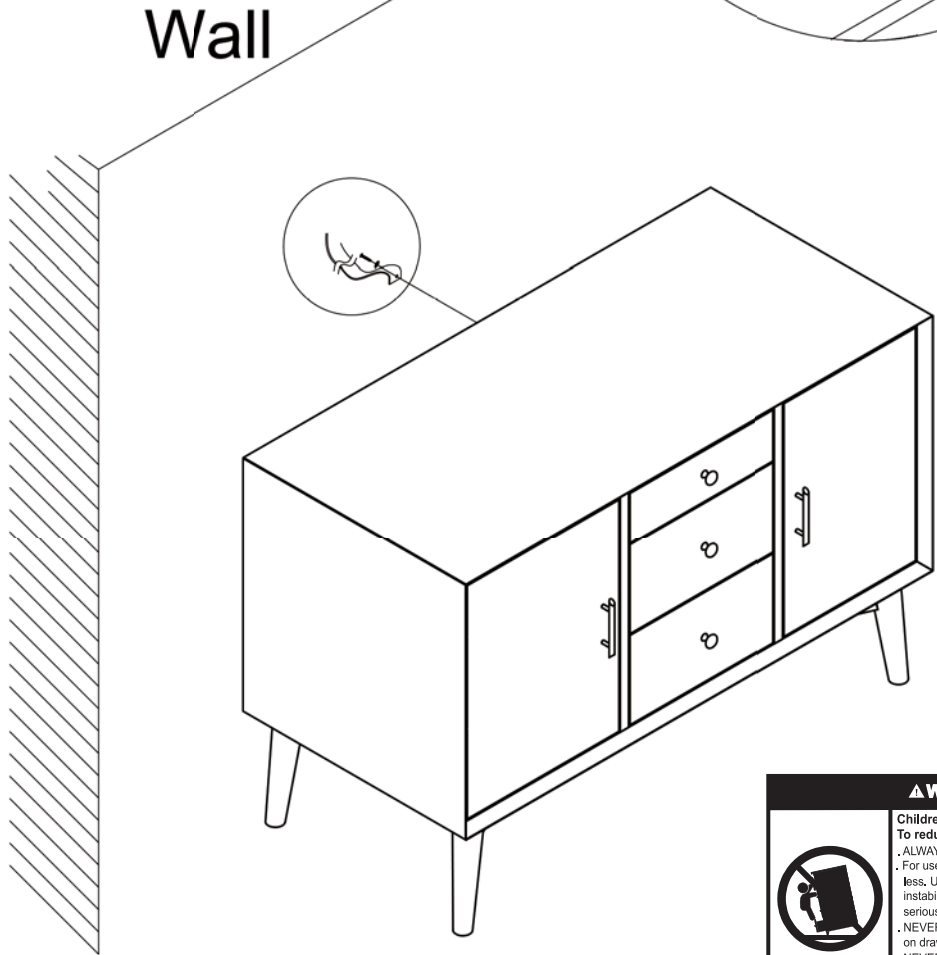
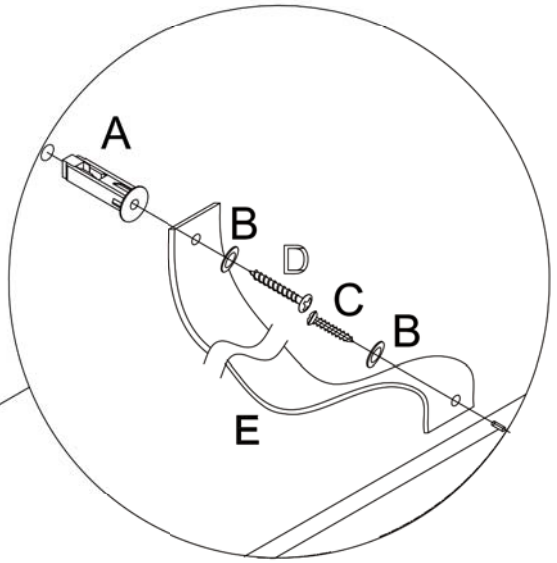
SAFETY STRAP WALL ASSEMBLY INSTRUCTION

1) Insert short screw (part #C) through washer (part #B) and safety wall strap (part #E) and screw it into the top center of top middle back panel (part L).

2) Drill a 11/32" hole where you want to secure your unit. The hole should be at the same height as the hole in the top center of top middle back panel (part L). Tap wall anchor (part #A) into the hole.

3) Insert long screw (part #D) through a washer (part #B) and safety wall strap (part #E) into wall anchor (part #A).

Note: This item is not intended for clothing storage use.



▲ WARNING

Children have died from furniture tipover. To reduce the risk of furniture tipover:

- ALWAYS install tipover restraint provided.
- For use with televisions weighing 50lbs(23kg) or less. Use with heavier televisions may result in instability causing tip-over resulting in death or serious injury.
- NEVER allow children to stand, climb or hang on drawers, doors, or shelves.
- NEVER open more than one drawer at a time.
- Place heaviest items in the lowest drawers.

This is a permanent label. Do not remove!