

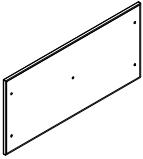
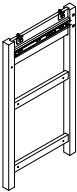
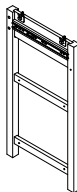
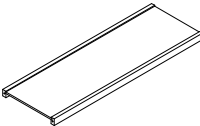
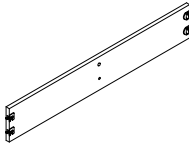
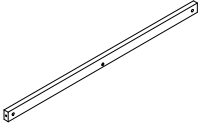
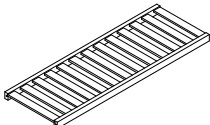
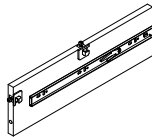
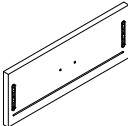
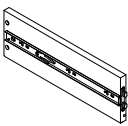
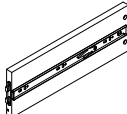
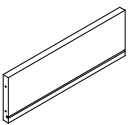
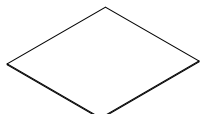
CROSLEY

FURNITURE

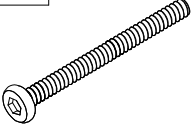
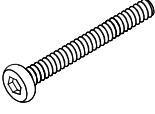

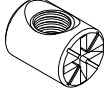




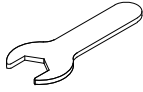
Kitchen Cart
CF3027



PART LIST

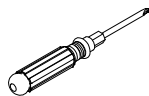
<p>A</p> 	<p>B</p> 	<p>C</p> 	<p>D</p> 	<p>E</p> 
<p>Top Panel 1 PC</p>	<p>Left Frame 1 PC</p>	<p>Right Frame 1 PC</p>	<p>Bottom Panel 1 PC</p>	<p>Back Rail 1 PC</p>
<p>F</p> 	<p>G</p> 	<p>H</p> 	<p>I</p> 	<p>J</p> 
<p>Front Rail 1 PC</p>	<p>Shelf Frame 1 PC</p>	<p>Partition Panel 1 PC</p>	<p>Drawer Front Panel 2 PCS</p>	<p>Drawer Left Panel 2 PCS</p>
<p>K</p> 	<p>L</p> 	<p>M</p> 		
<p>Drawer Right Panel 2 PCS</p>	<p>Drawer Back Panel 2 PCS</p>	<p>Drawer Bottom Panel 2 PCS</p>		

HARDWARE LIST

#1		#2		#3		#4		#5	
	Ø1/4"×3"		Ø1/4"×2"		Ø3×30mm		Ø1/4"		Ø8×30mm
	Long Bolt		Short Bolt		Screw		Barrel Nut		Wood Dowel
	2 PCS		8 PCS		9 PCS (Extra 1)		10 PCS (Extra 1)		2 PCS (Extra 1)
#6		#7		#8		#9			
					4mm				
	Locking Caster		Caster		Allen Wrench		Wrench		
	2 PCS		2 PCS		1 PC		1 PC		

ADDITIONAL TOOLS (Not Provided)

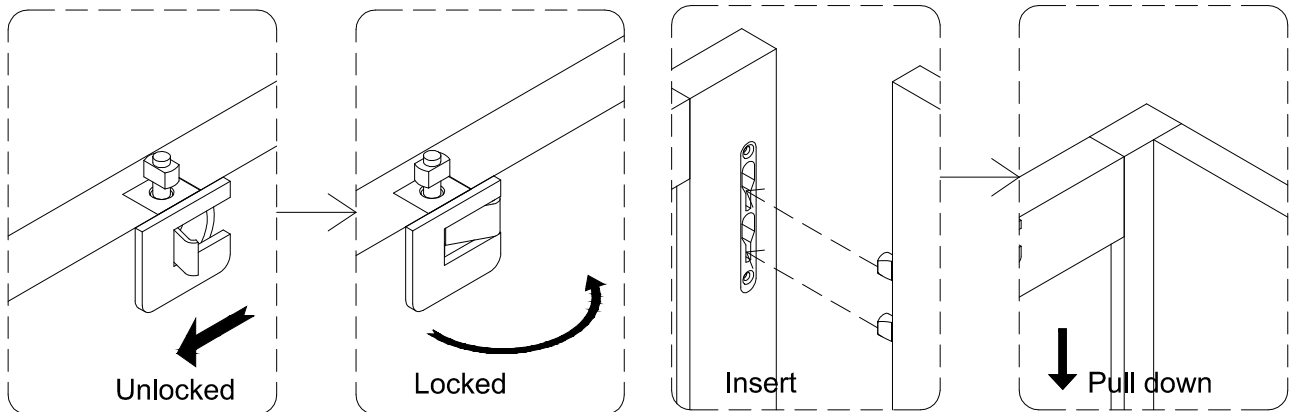
Note: It is not recommended to use power tools during assembly.



Phillips Head Screwdriver

Note: Wood dowels are intended for alignment. Additional clearance between wood dowel and pre-drilled hole is intentional for ease of assembly.

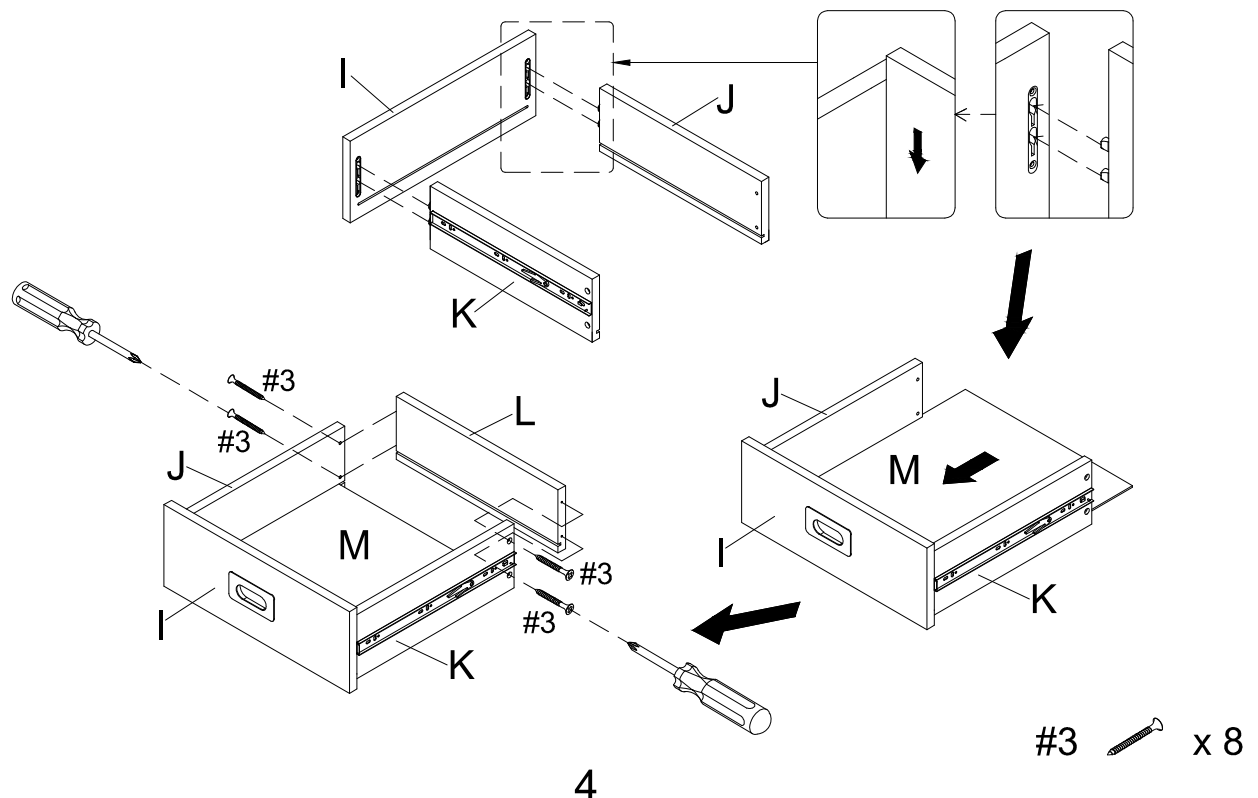
Please do not use tools to assemble this unit unless specifically indicated.



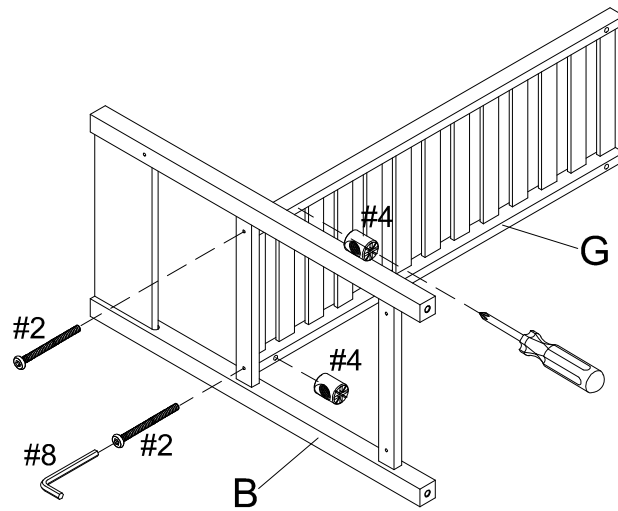
Reference the image above any time the instructions state "lock the hardware" or "insert hardware and pull down to lock".



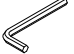
Be sure to check all hardware is locked when complete.

Step 1. Insert drawer left panel (part J) and drawer right panel (part K) into drawer front panel (part I) pull down to lock. Slide drawer bottom panel (part M) into grooves of assembled unit (parts I, J & K). Attach drawer back panel (part L) to assembled unit (parts J, K & M) using screws (part #3) and phillips head screwdriver. Repeat for remaining drawer.

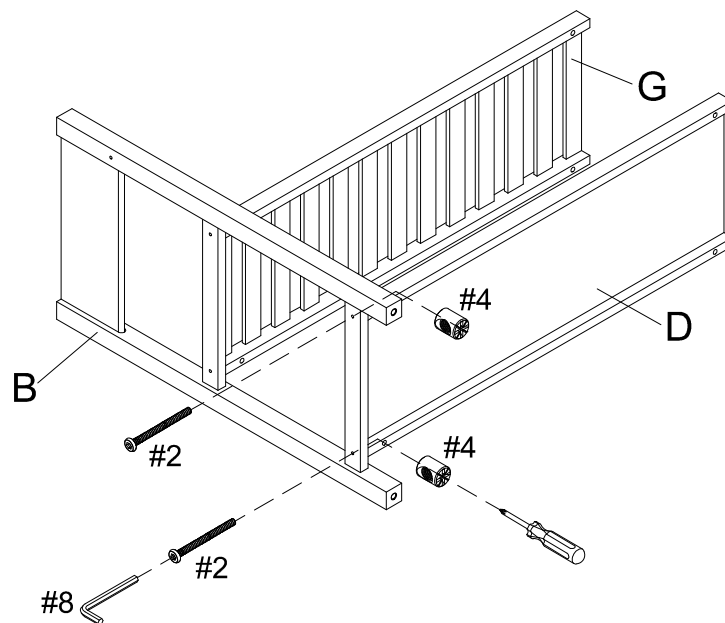





Step 2. Attach shelf frame (part G) to left frame (part B) using short bolts (part #2), barrel nuts (part #4), allen wrench (part #8) and phillips head screwdriver.



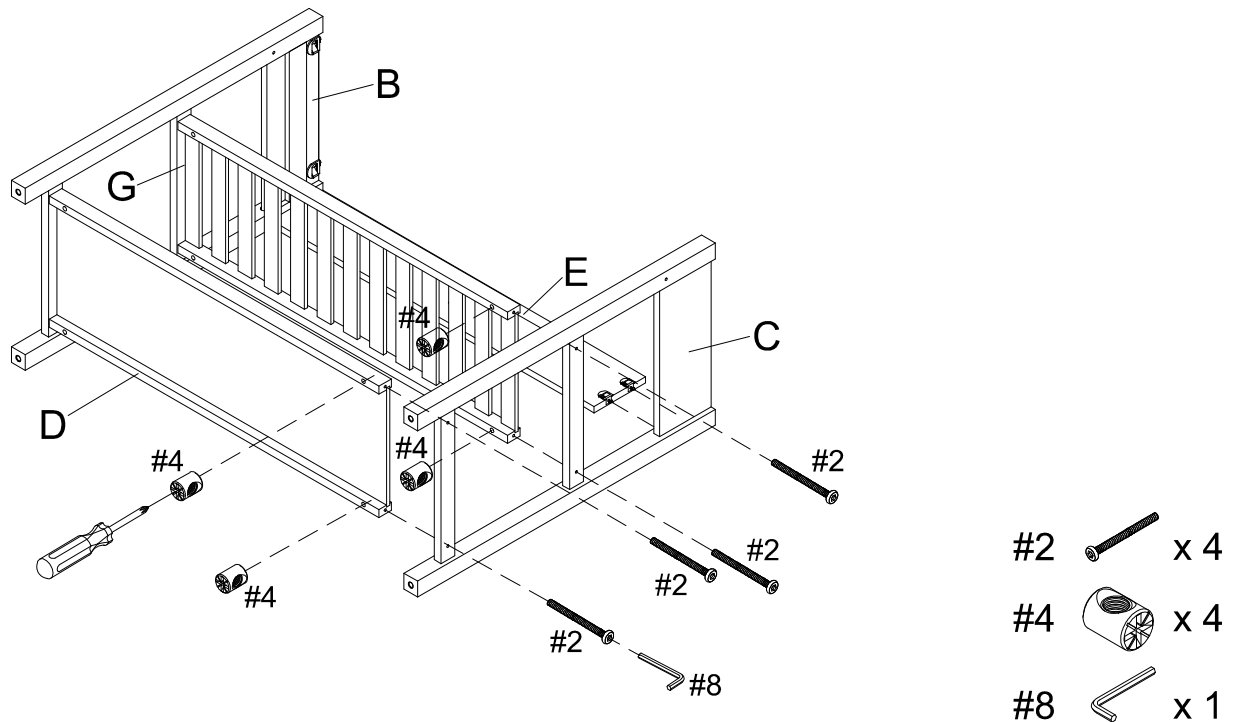
- #2  x 2
- #4  x 2
- #8  x 1

Step 3. Attach bottom panel (part D) to left frame (part B) using short bolts (part #2), barrel nuts (part #4), allen wrench (part #8) and phillips head screwdriver.

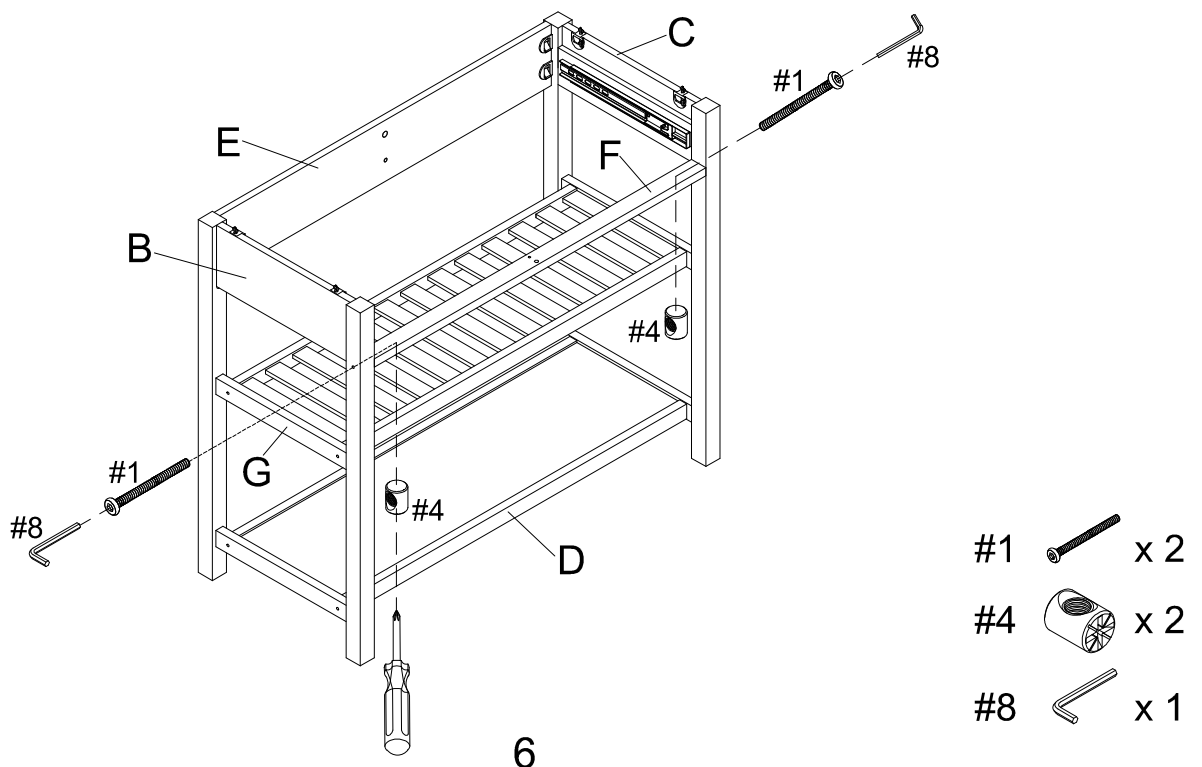


- #2  x 2
- #4  x 2
- #8  x 1

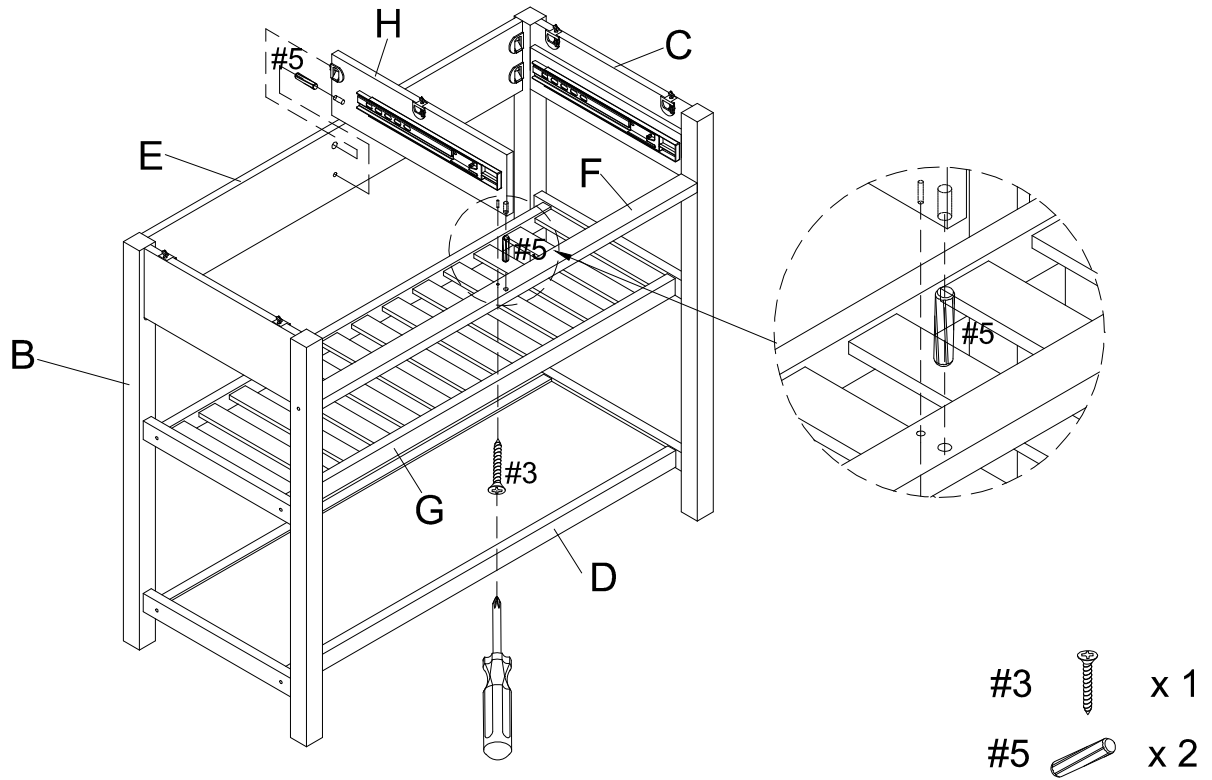
Step 4. Insert back rail (part E) into left frame (part B) and right frame (part C) and lock the hardware. Attach shelf frame (part G) and bottom panel (part D) to right frame (part C) using short bolts (part #2), barrel nuts (part #4), allen wrench (part #8) and phillips head screwdriver.



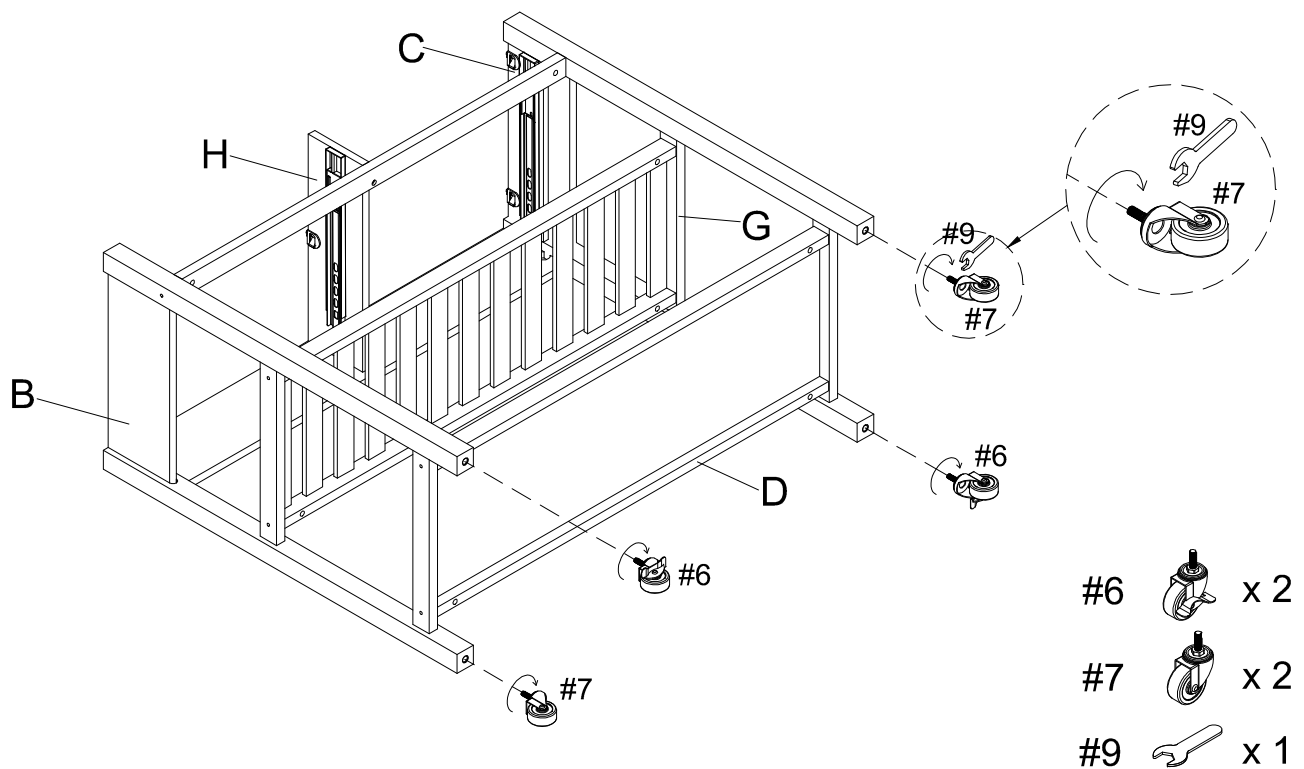
Step 5. Carefully turn unit upright. Attach front rail (part F) to frames (parts B & C) using long bolts (part #1), barrel nuts (part #4), allen wrench (part #8) and phillips head screwdriver.



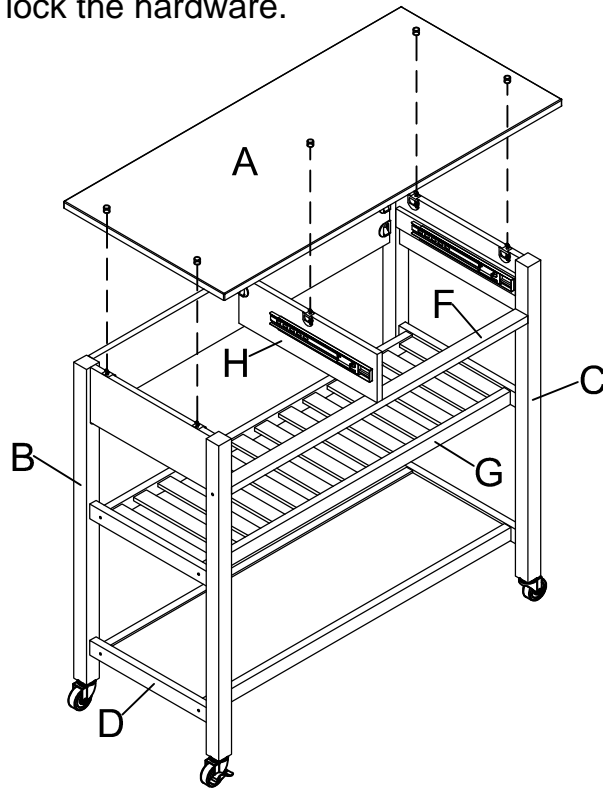
Step 6. Attach partition panel (part H) to rails (parts E & F) using wood dowels (part #5), screw (part #3), phillips head screwdriver and lock the hardware.



Step 7. Carefully lay down unit on a flat, soft surface, such as carpet. Attach locking casters (part #6) and casters (part #7) to frames (parts B & C) using wrench (part #9).



Step 8. Carefully turn unit upright. Attach top panel (part A) to assembled unit (parts B, C & H) and lock the hardware.



Step 9. Slide assembled drawers into place.

Note: To release trigger disconnect levers push one side up and the other down.

