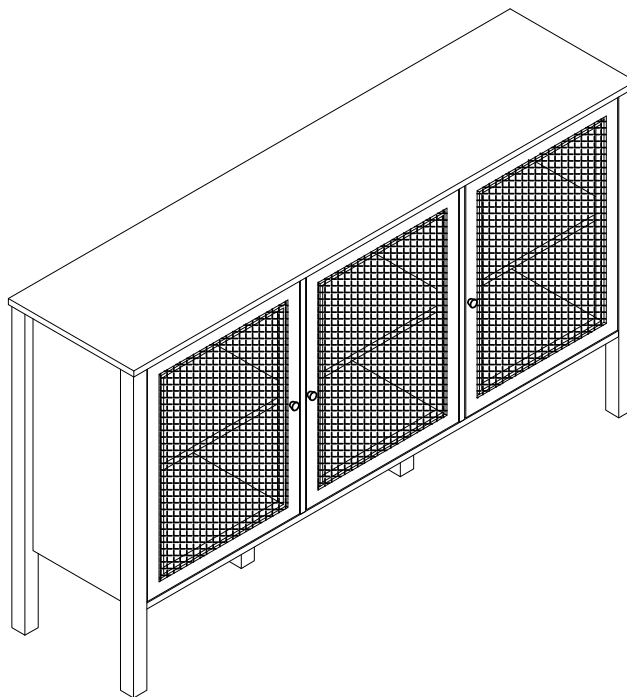
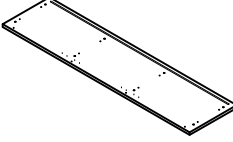
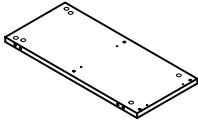
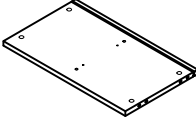
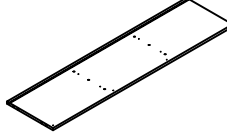
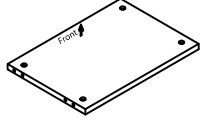
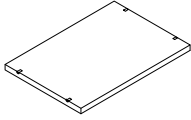
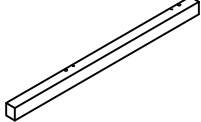
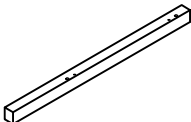
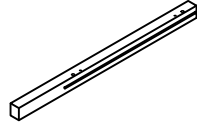
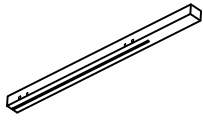
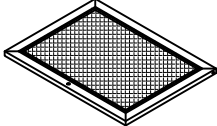
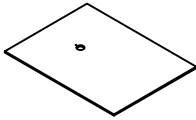
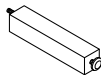



CROSLEY
FURNITURE

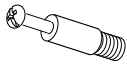

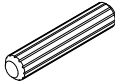
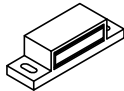

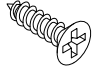
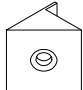
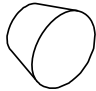


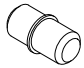
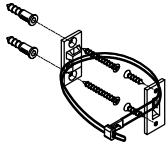
Sideboard
CF4224



PART LIST

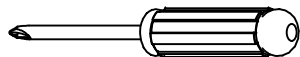
<p>A</p> 	<p>B</p> 	<p>C</p> 	<p>D</p> 	<p>E</p> 
<p>Top Panel 1 PC</p>	<p>Side Panel 2 PCS</p>	<p>Partition Panel 2 PCS</p>	<p>Bottom Panel 1 PC</p>	<p>Fixed Shelf 2 PCS</p>
<p>F</p> 	<p>G</p> 	<p>H</p> 	<p>I</p> 	<p>J</p> 
<p>Adjustable Shelf 1 PC</p>	<p>Front Left Leg 1 PC</p>	<p>Front Right Leg 1 PC</p>	<p>Back Left Leg 1 PC</p>	<p>Back Right Leg 1 PC</p>
<p>K</p> 	<p>L</p> 	<p>M</p> 	<p>N</p> 	
<p>Door 3 PCS</p>	<p>Back Panel 3 PCS</p>	<p>Support Leg 2 PCS</p>	<p>Cover 3 PCS</p>	

HARDWARE LIST

<p>#1</p> 	<p>#2</p> 	<p>#3</p>  <p>Ø6mm*1-1/8"L</p>	<p>#4</p> 	<p>#5</p> 
<p>Cam Bolt</p> <p>32 PCS (Extra 1)</p>	<p>Cam Lock</p> <p>32 PCS (Extra 1)</p>	<p>Wood Dowel</p> <p>32 PCS (Extra 1)</p>	<p>Magnet</p> <p>3 PCS (Extra 1)</p>	<p>Round Sticker</p> <p>32 PCS (Extra 1)</p>
<p>#6</p>  <p>Ø1/8*1/2"L</p>	<p>#7</p> 	<p>#8</p> 	<p>#9</p>  <p>Ø5/32*3/4"L</p>	<p>#10</p>  <p>Ø5/32*1/4"L</p>
<p>Screw</p> <p>18 PCS (Extra 1)</p>	<p>Back Bracket</p> <p>12 PCS (Extra 1)</p>	<p>Knob</p> <p>3 PCS</p>	<p>Round Head Bolt</p> <p>3 PCS (Extra 1)</p>	<p>Binding Post</p> <p>3 SETS (Extra 1)</p>
<p>#11</p> 	<p>#12</p> 			
<p>Shelf Pin</p> <p>4 PCS (Extra 1)</p>	<p>Safety Strap Kit</p> <p>2 SETS</p>			

ADDITIONAL TOOLS (Not Provided)

Note: It is not recommended to use power tools during assembly

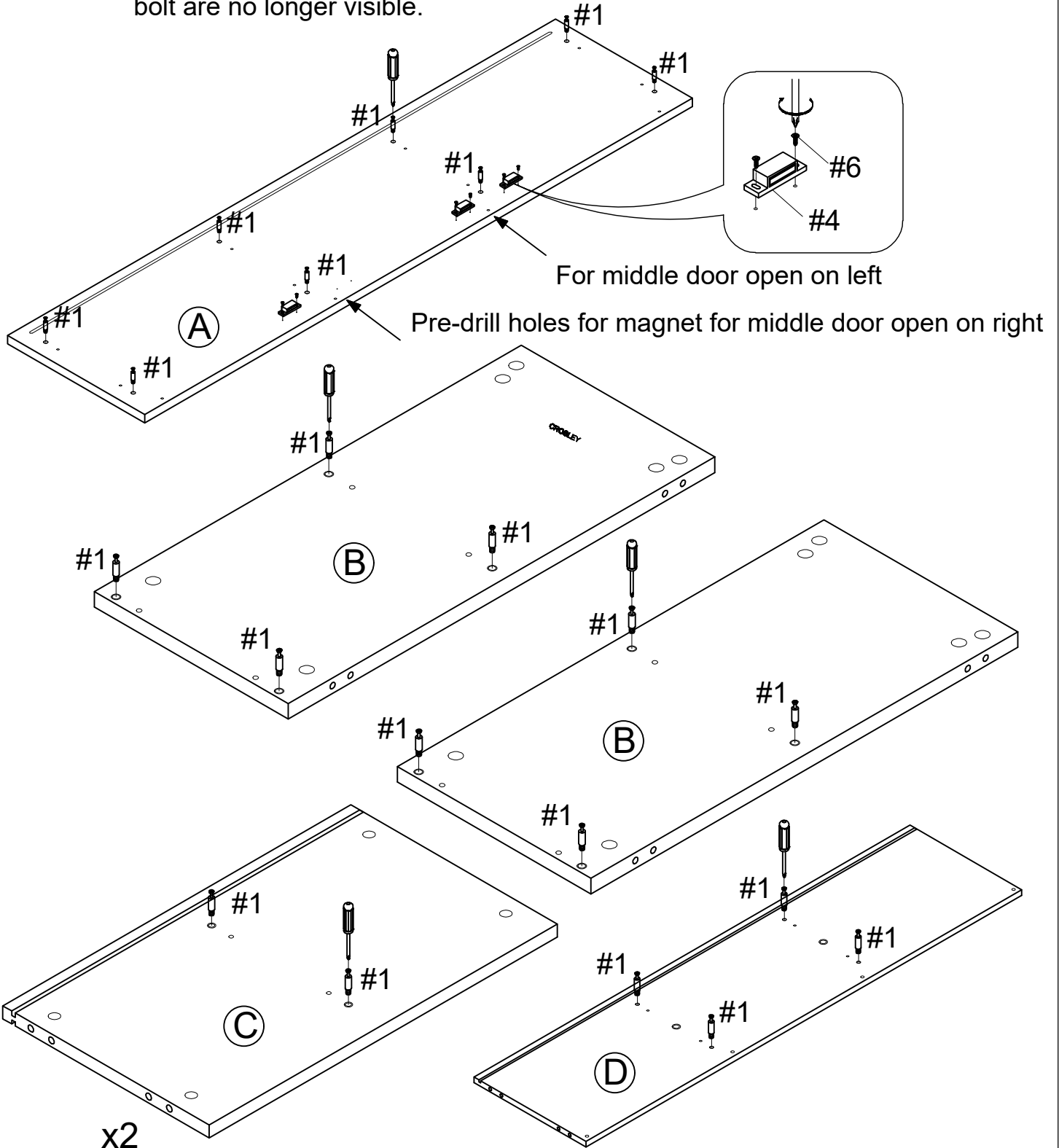


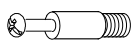


Phillips Head Screwdriver

Note: Wood dowels are intended for alignment. Additional clearance between wood dowel and pre-drilled hole is intentional for ease of assembly.

Step 1. Attach cam bolts (part #1) to top panel (part A), side panels (part B), partition panels (part C) and bottom panel (part D).
 There are 2 installation options for magnet (part #4) for the middle door.
 Attach magnets (part #4) to top panel (part A) using screws (part #6) and phillips head screwdriver.

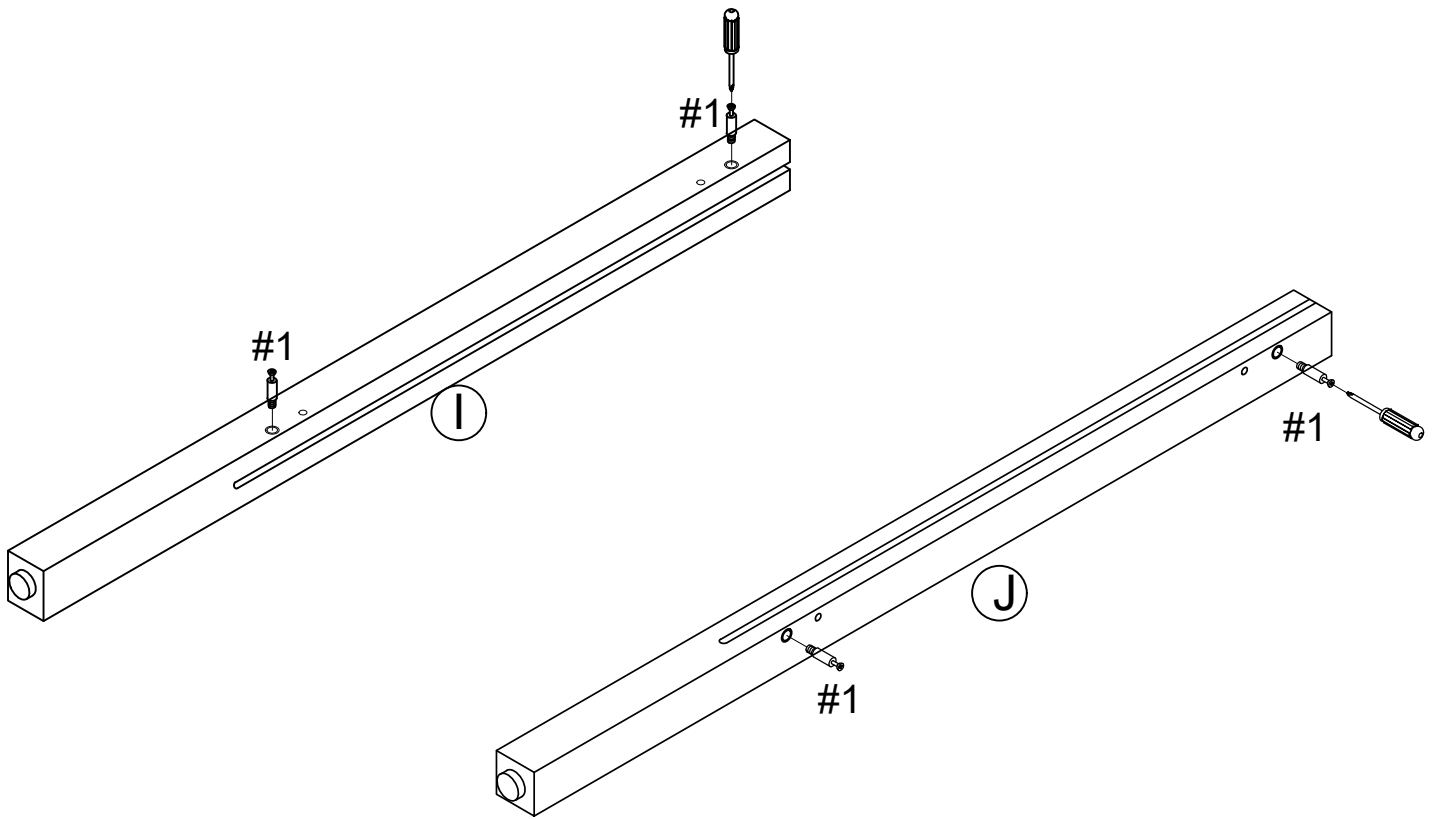
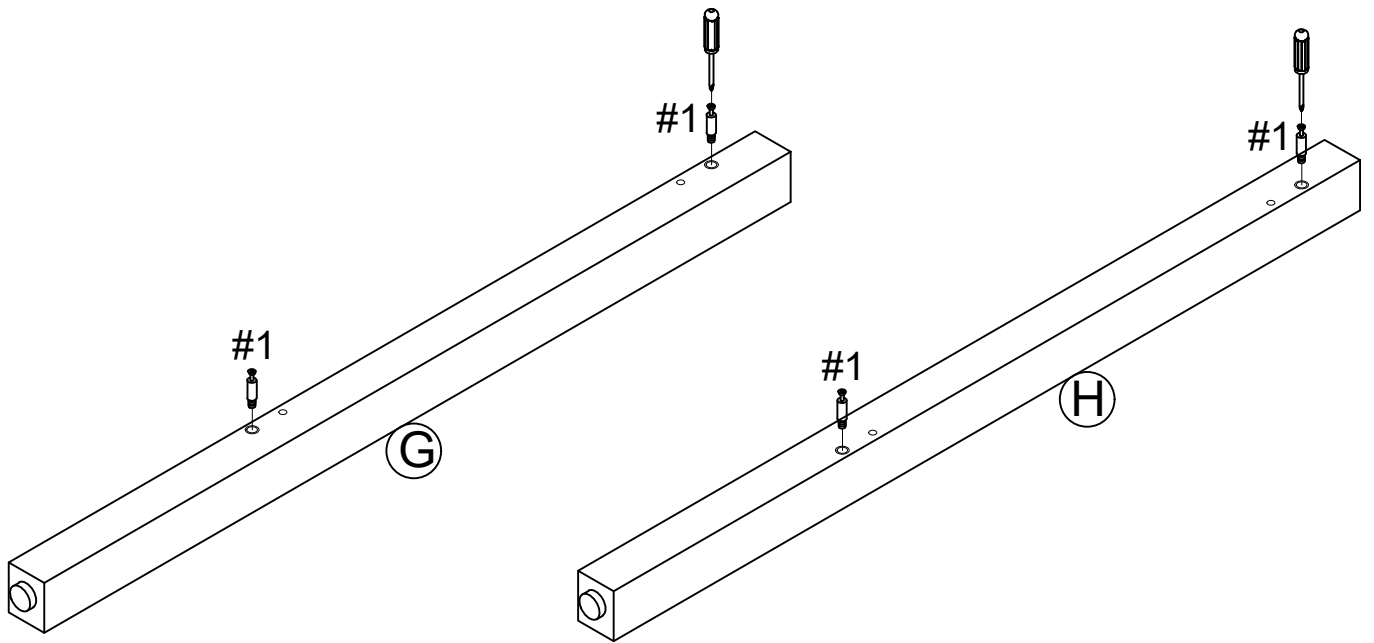
Note: Do not overtighten cam bolts. Stop tightening once threads on cam bolt are no longer visible.

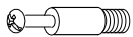


- | | | |
|----|---|-----|
| #1 |  | x24 |
| #4 |  | x3 |
| #6 |  | x6 |

Step 2. Attach cam bolts (part #1) to front left leg (part G), front right leg (part H), back left leg (part I) and back right leg (part J).

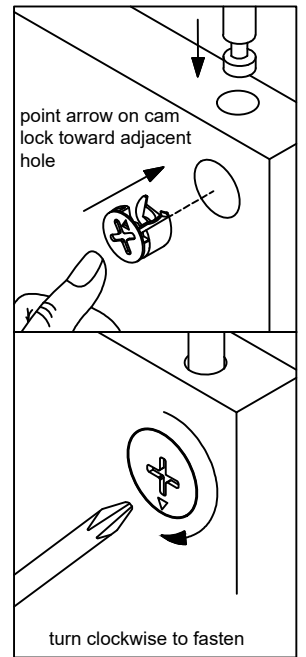
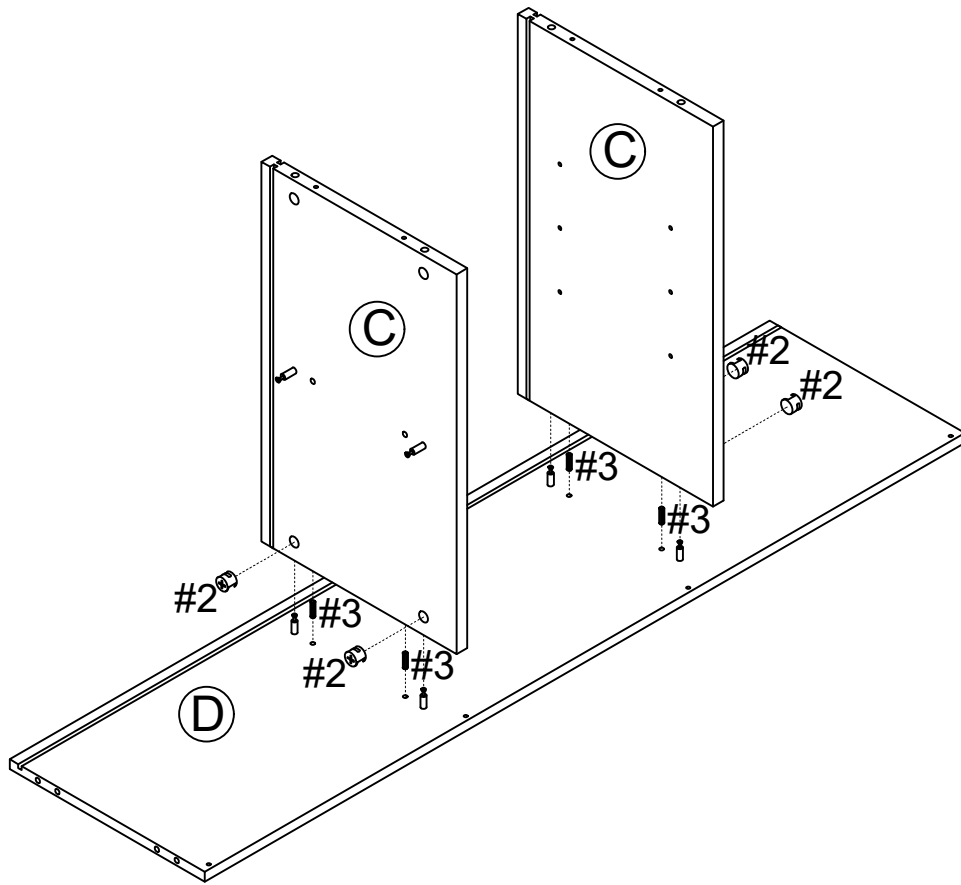
Note: Do not overtighten cam bolts. Stop tightening once threads on cam bolt are no longer visible.





#1  x8

Step 3. Attach partition panels (part C) to bottom panel (part D) using cam locks (part #2), wood dowels (part #3) and phillips head screwdriver.

Note: Cam locks must rotate a full 180°. See pictured insert.

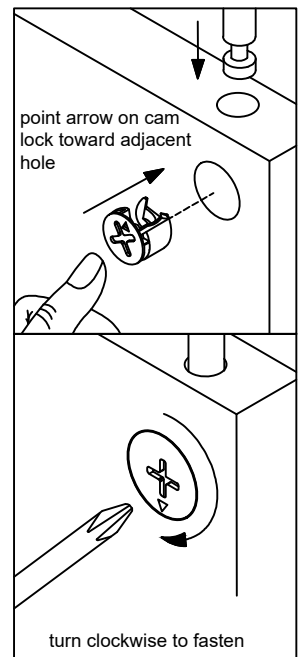
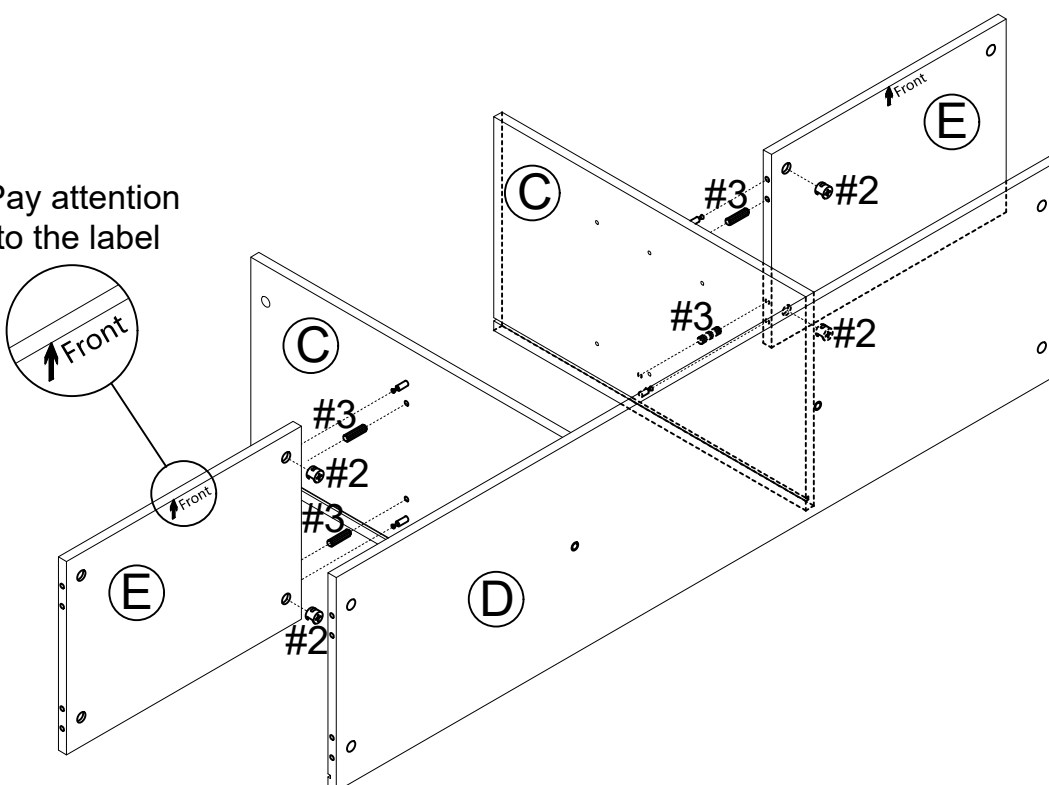




- #2  x4
- #3  x4

Step 4. Attach fixed shelves (part E) to partition panels (part C) using cam locks (part #2), wood dowels (part #3) and phillips head screwdriver.

Note: Cam locks must rotate a full 180°. See pictured insert.

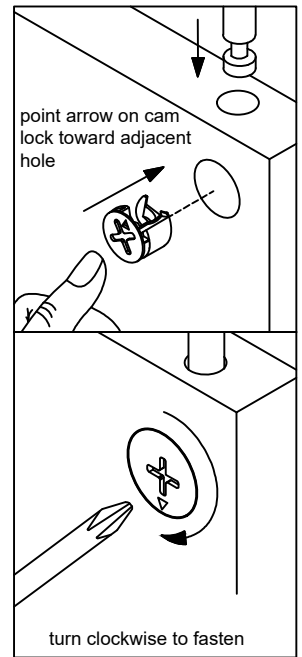
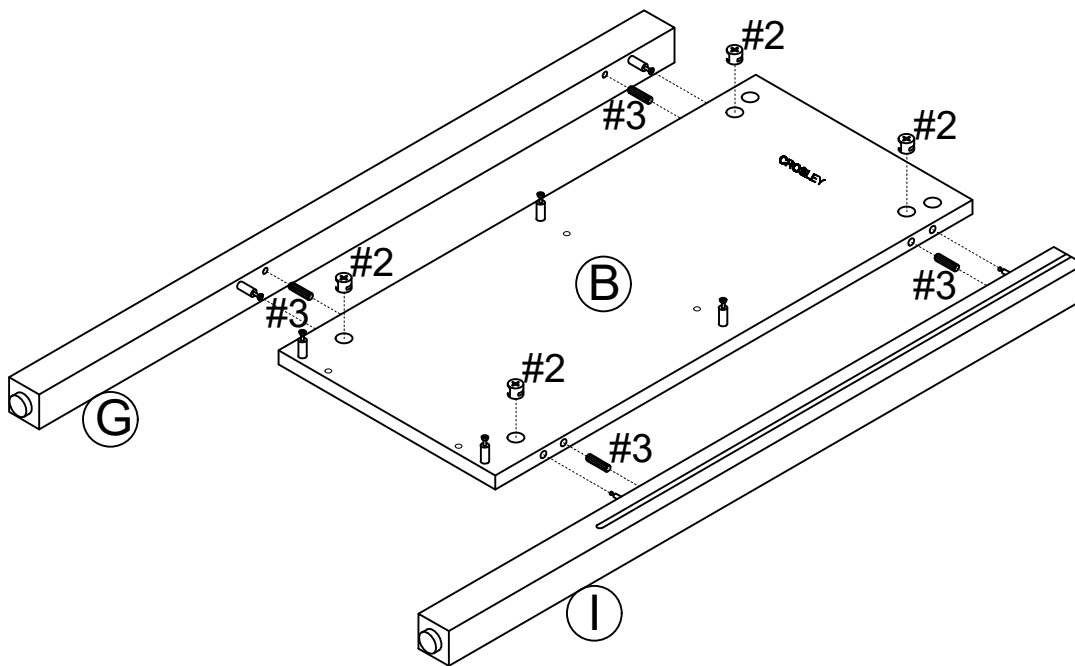
Pay attention to the label





- #2  x4
- #3  x4

Step 5. Attach front left leg (part G) and back left leg (part I) to side panel (part B) using cam locks (part #2), wood dowels (part #3) and phillips head screwdriver.

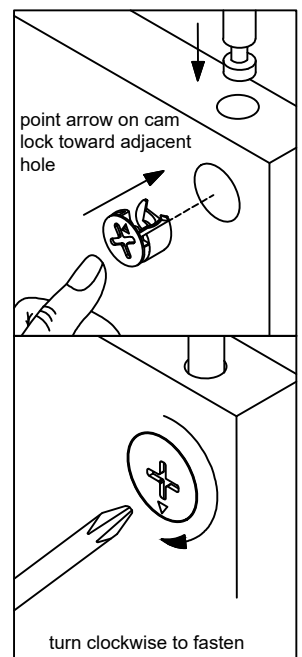
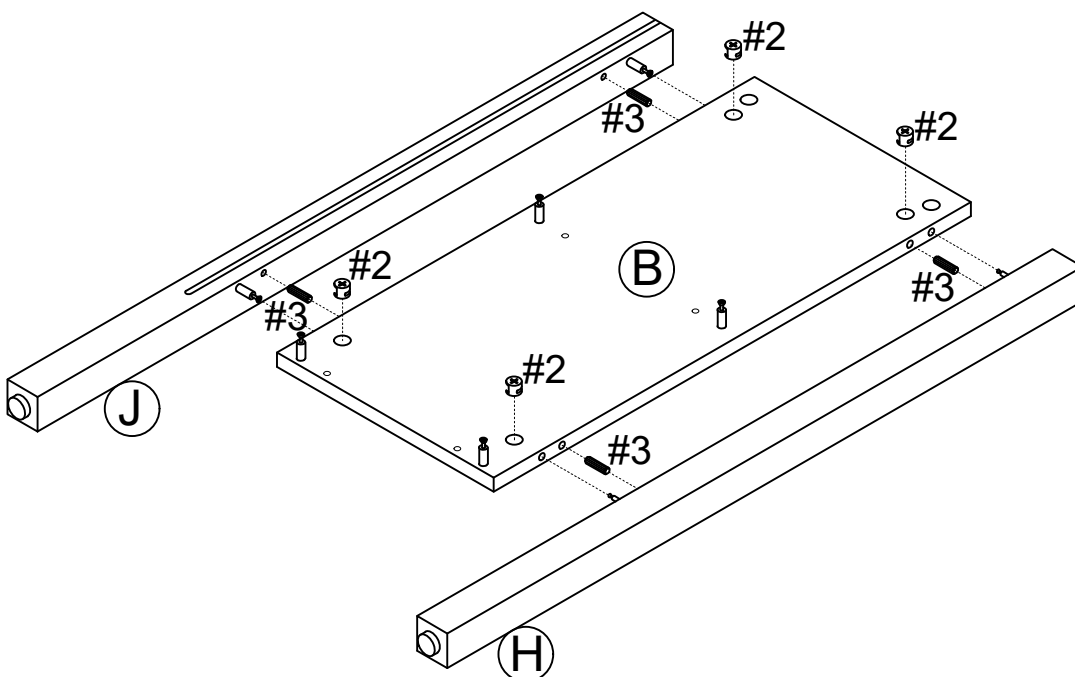
Note: Cam locks must rotate a full 180°. See pictured insert.





- #2  x4
- #3  x4

Step 6. Attach front right leg (part H) and back right leg (part J) to side panel (part B) using cam locks (part #2), wood dowels (part #3) and phillips head screwdriver.

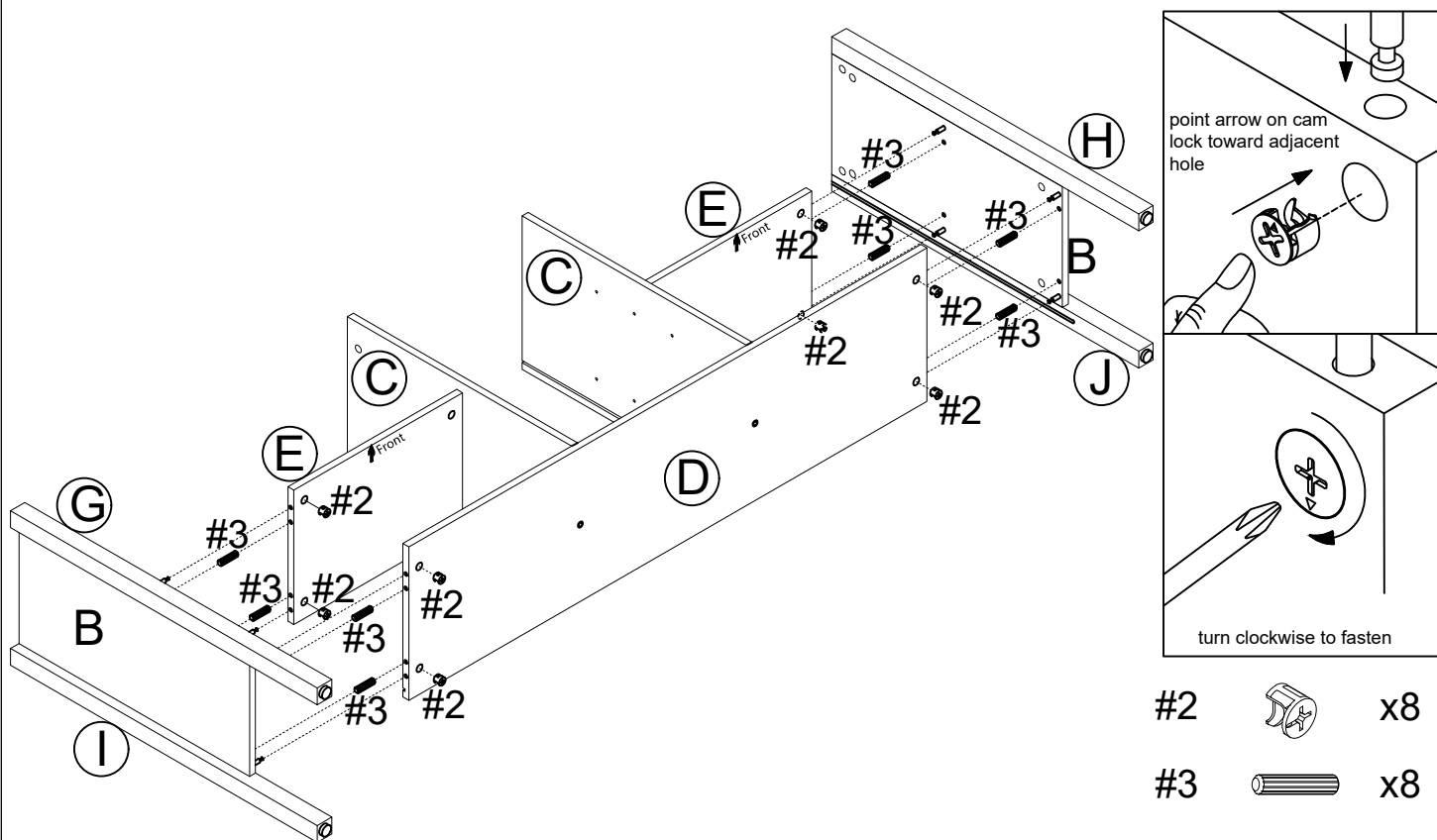
Note: Cam locks must rotate a full 180°. See pictured insert.



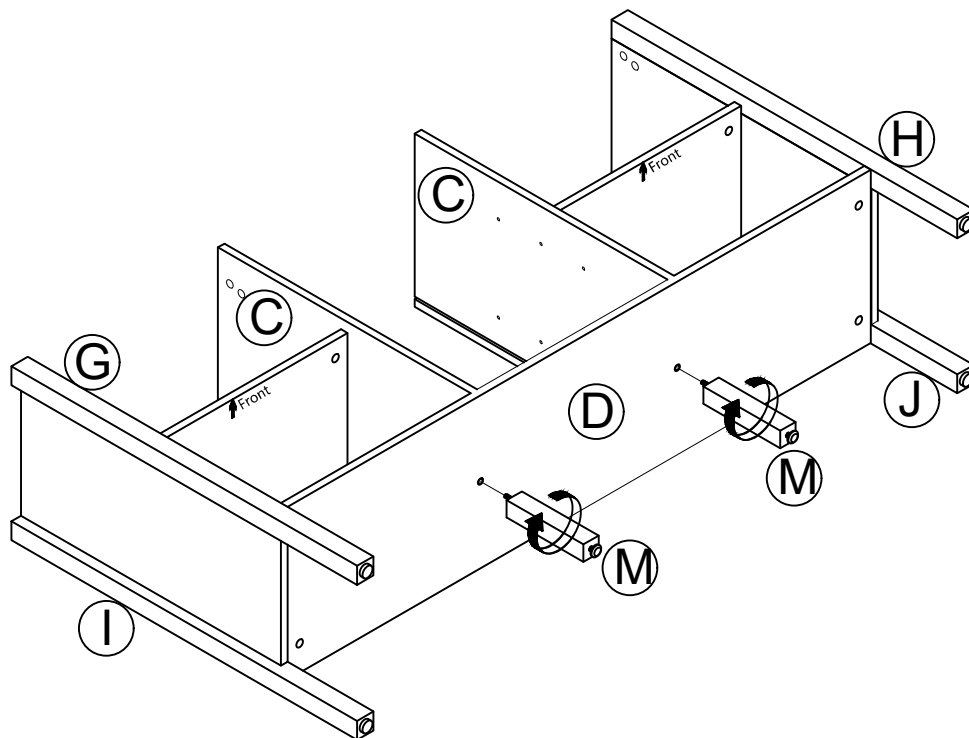
- #2  x4
- #3  x4

Step 7. Attach assembled unit (parts B,G,H,I & J) to assembled unit (parts C,D & E) using cam locks (part #2), wood dowels (part #3) and phillips head screwdriver.

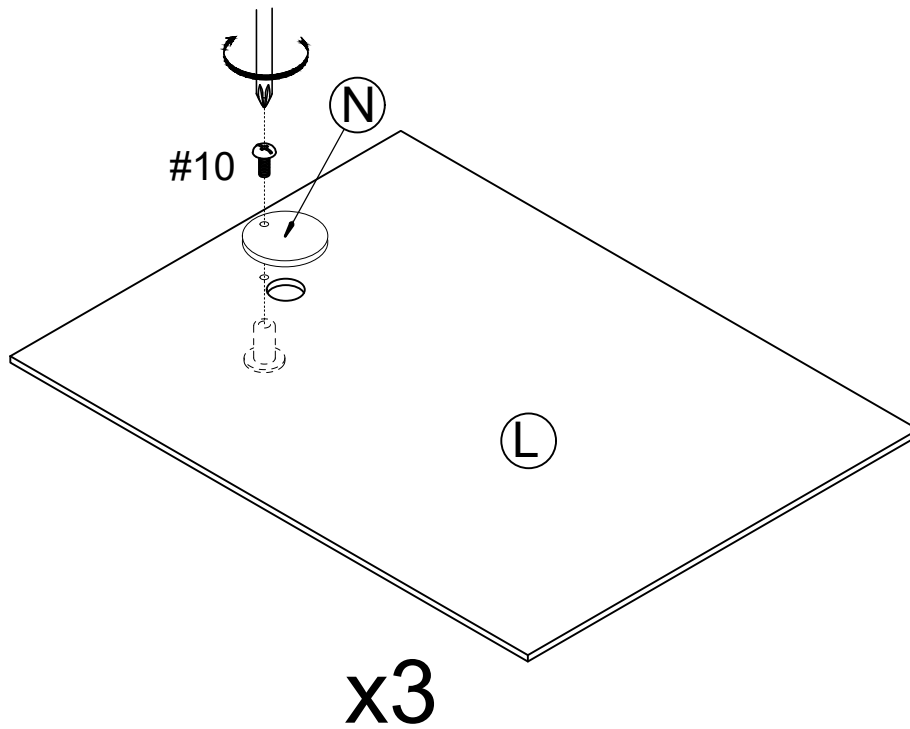
Note: Cam locks must rotate a full 180°. See pictured insert.



Step 8. Attach support legs (part M) to bottom panel (part D).

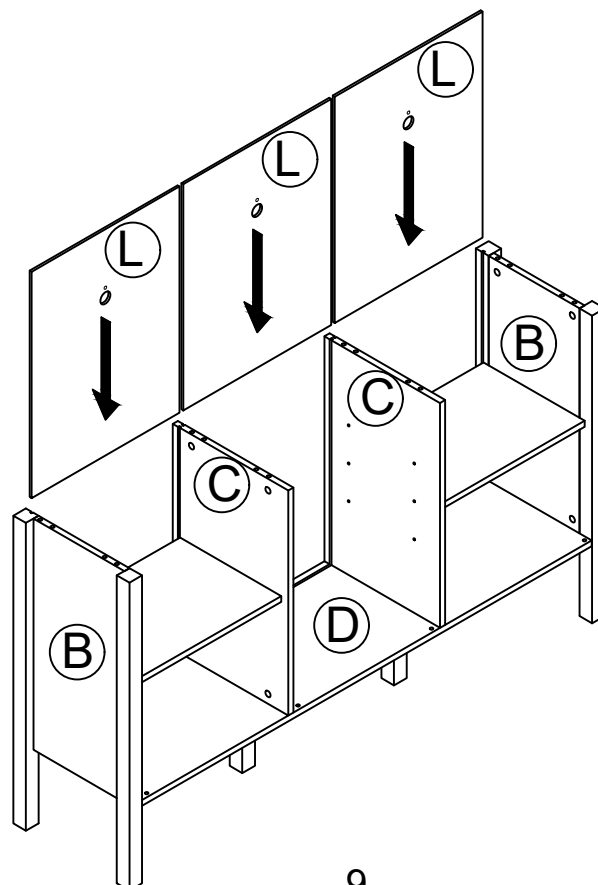


Step 9. Attach covers (part N) to back panels (part L) using binding posts (part #10) and philips head screwdriver.



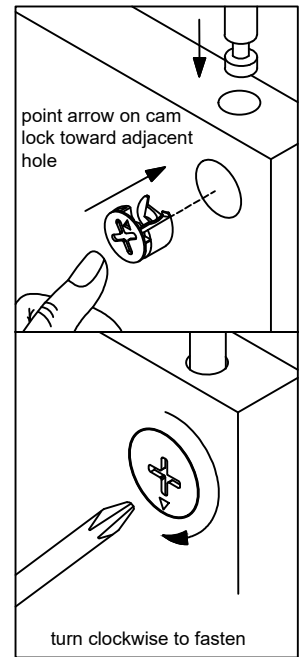
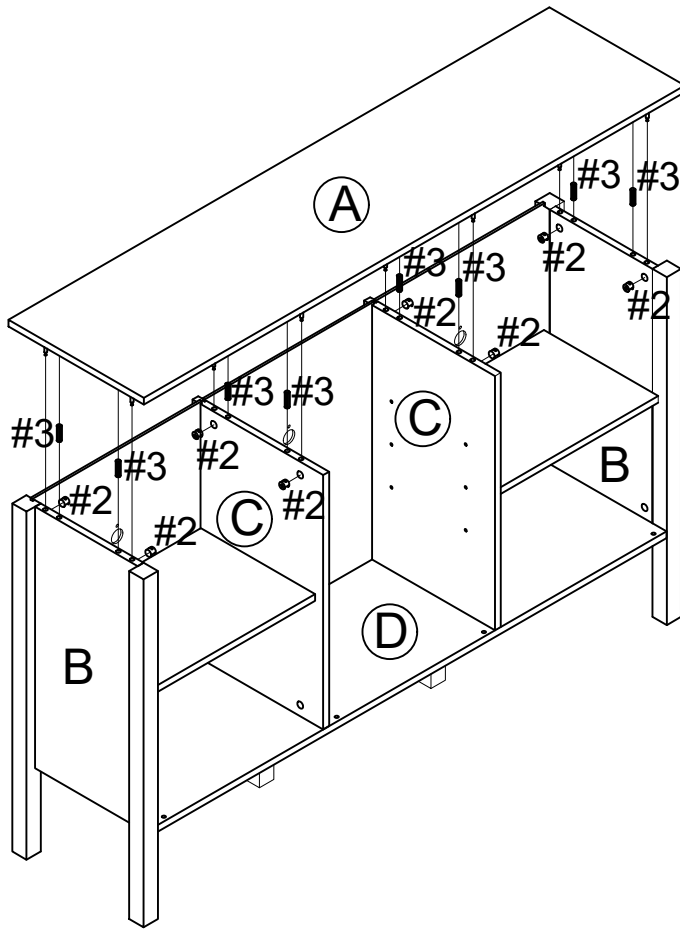
#10   x3

Step 10. Insert back panels (part L) to assembled unit (parts C,D,I & J).



Step 11. Attach top panel (part A) to assembled unit (parts B, C & L) using cam locks (part #2), wood dowels (part #3) and phillips head screwdriver.

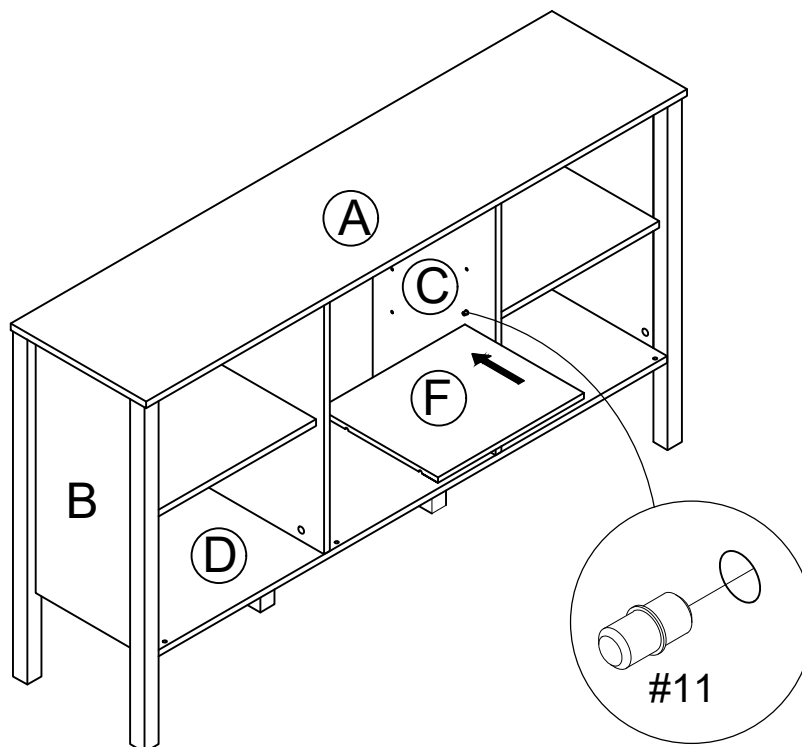
Note: Cam locks must rotate a full 180°. See pictured insert.



#2  x8

#3  x8

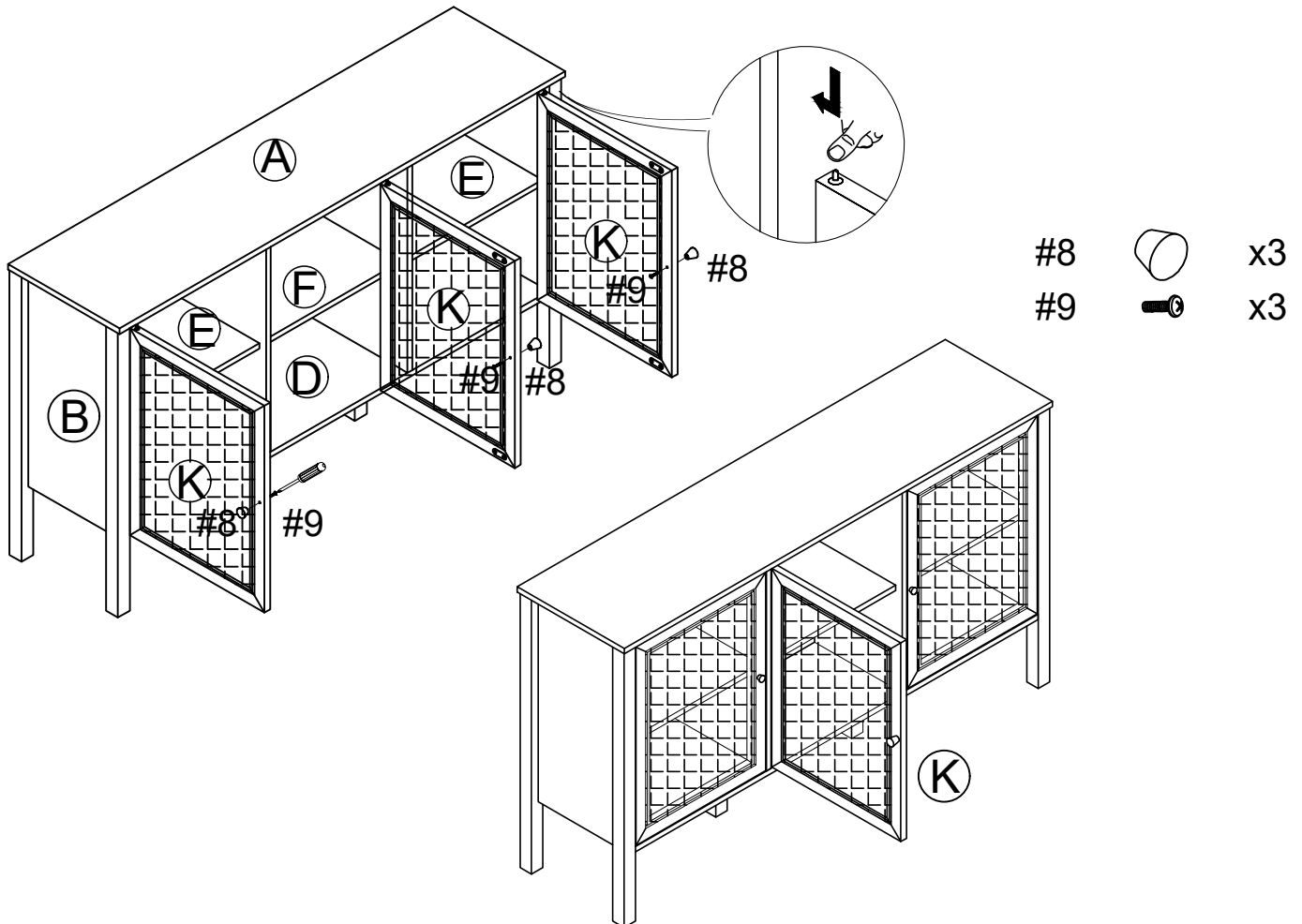
Step 12. Place shelf pins (part #11) into desired position and slide adjustable shelf (part F) into place.



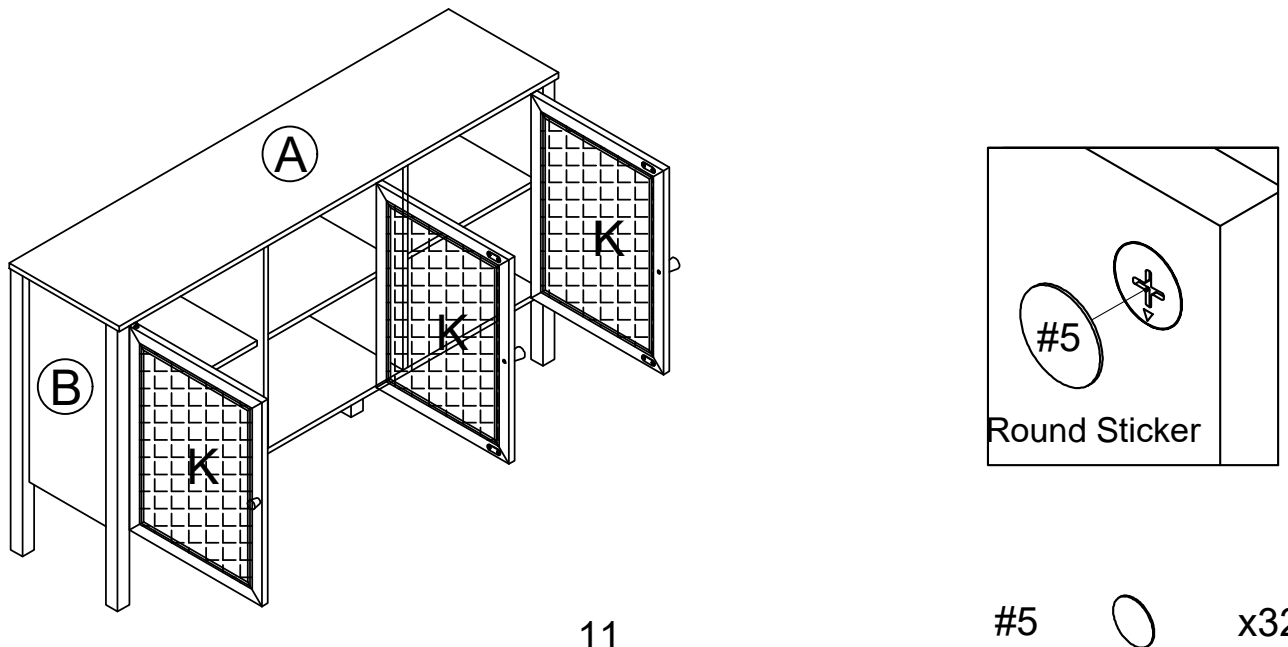
#11  x4

Step 13. There are two installation options for middle door (part K). Attach doors (part K) by placing bottom pin hinge (pre-installed in door) to bottom panel (part D) . Then depress the top spring- loaded pin hinge so it can be placed in the pre-drilled holes of top panel (part A). Attach knobs (part #8) to doors (part K) using round head bolts (part #9) and philips head screwdriver.

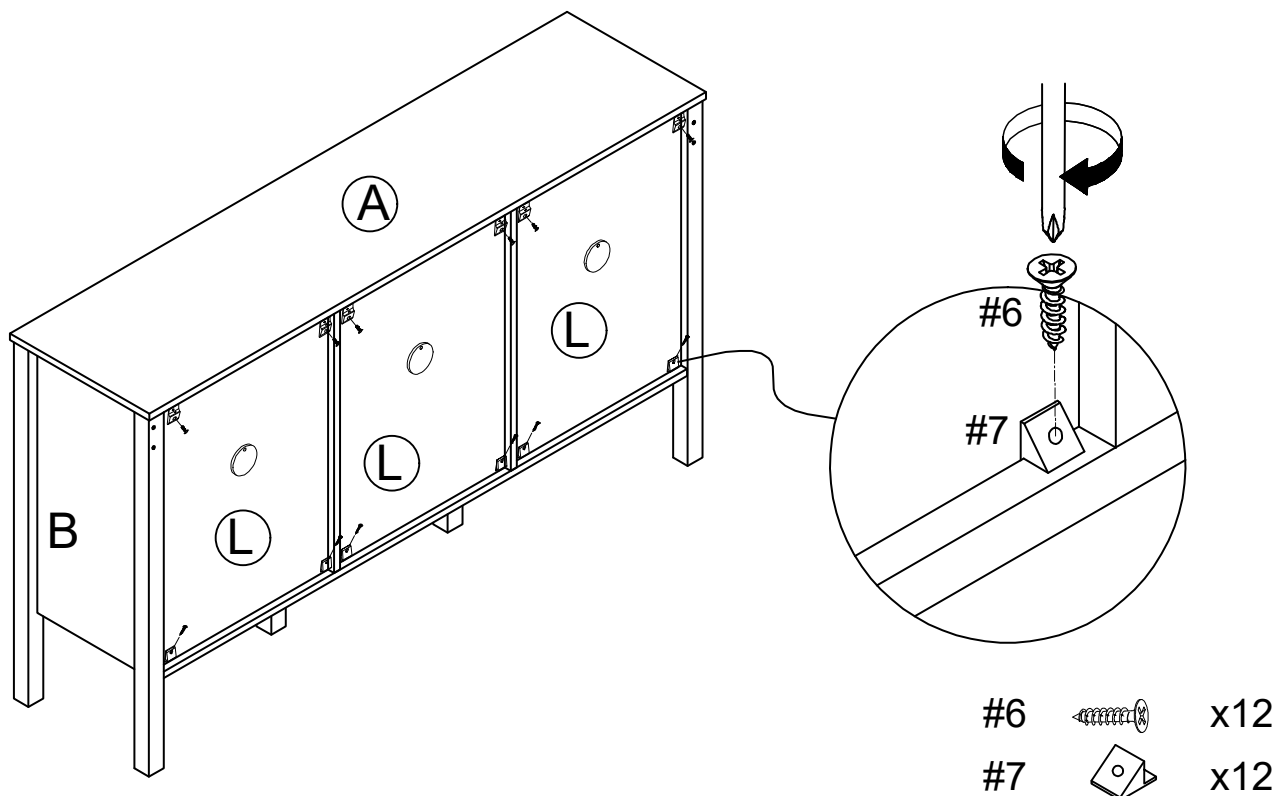
Note:Be sure top and bottom pin hinges are fully extended to secure doors in place.



Step 14. Using round stickers (part #5) cover all cam locks (part #2).

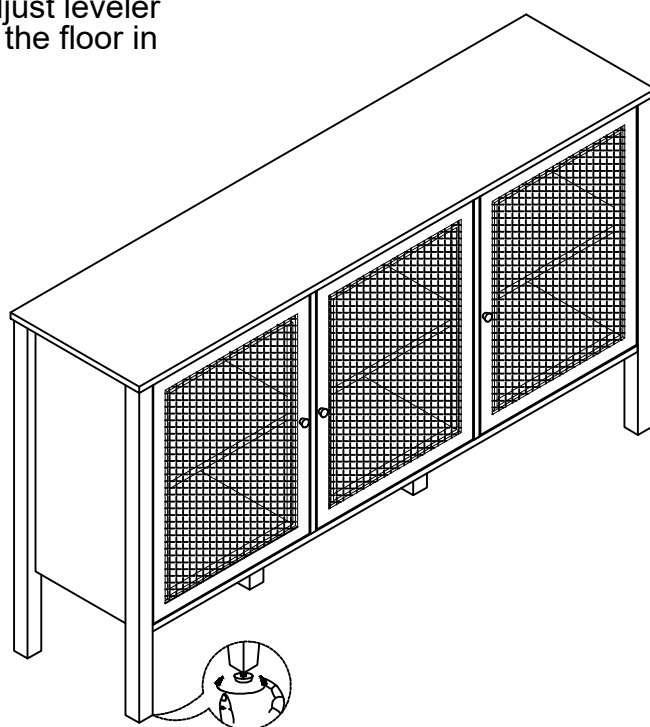


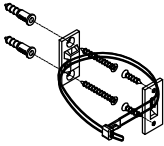
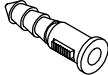




Step 15. Secure back brackets (part #7) at the corner of back panels (part L) using screws (part #6) and philips head screwdriver.



Note: It is important to adjust levelers once fully assembled and upright. Extend adjustable leveler until it's firmly in contact with the floor. If relocating, adjust leveler as needed until it's firmly in contact with the floor in new location.

Important: Safety strap kit (part #12) must be installed to prevent tipping, damage and/or injury.



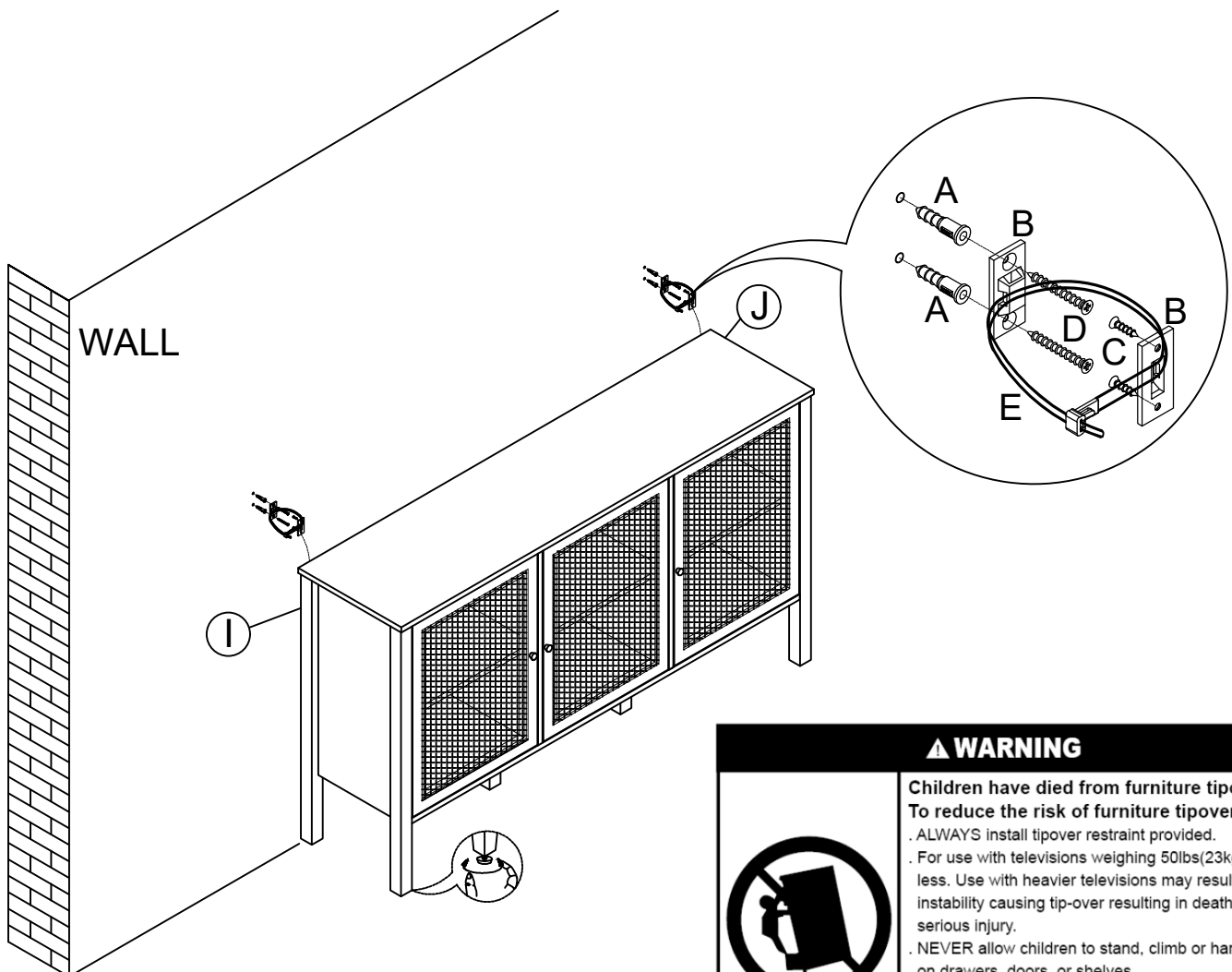
#12	A	B	C	D	E
					
Safety Strap Kit 2 SETS	Wall Anchor 4 PCS	Bracket 4 PCS	Short Screw 4 PCS	Long Screw 4 PCS	Safety Wall Strap 2 PCS

SAFETY WALL STRAP INSTALLATION

Note: It is highly recommended to install this safety strap kit to prevent tipping, damage and/or injury.

1. Insert short screws (C) and safety wall strap (E) through brackets (B) and attach to back legs (parts I & J) using philips head screwdriver.
2. Drill 1/4" holes where you want to secure the unit. The drilled holes will be at the same height as the holes in back legs (parts I & J) where bracket (B) is attached. Tap wall anchors (A) into the holes.
3. Insert long screws (D) and safety wall strap (E) through brackets (B) into wall anchors (A) using phillips head screwdriver.

Note: This item is not intended for clothing storage use.



▲ WARNING

Children have died from furniture tipover. To reduce the risk of furniture tipover:

- ALWAYS install tipover restraint provided.
 - For use with televisions weighing 50lbs(23kg) or less. Use with heavier televisions may result in instability causing tip-over resulting in death or serious injury.
 - NEVER allow children to stand, climb or hang on drawers, doors, or shelves.
 - NEVER open more than one drawer at a time.
 - Place heaviest items in the lowest drawers.
- This is a permanent label. Do not remove!*

