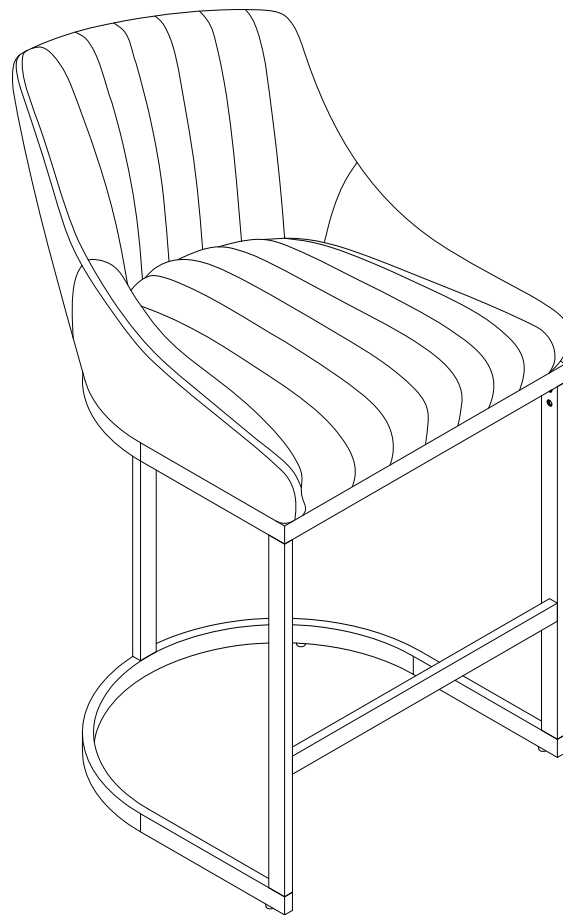
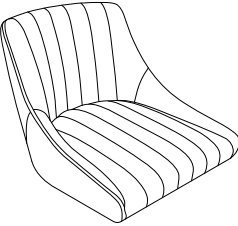
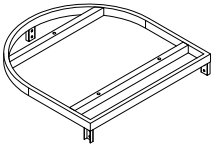



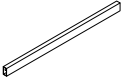
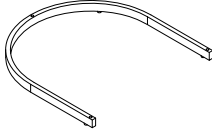


CROSLEY
FURNITURE

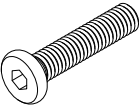
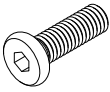
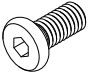
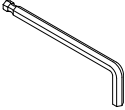
Counter Stool
CF502826



PART LIST

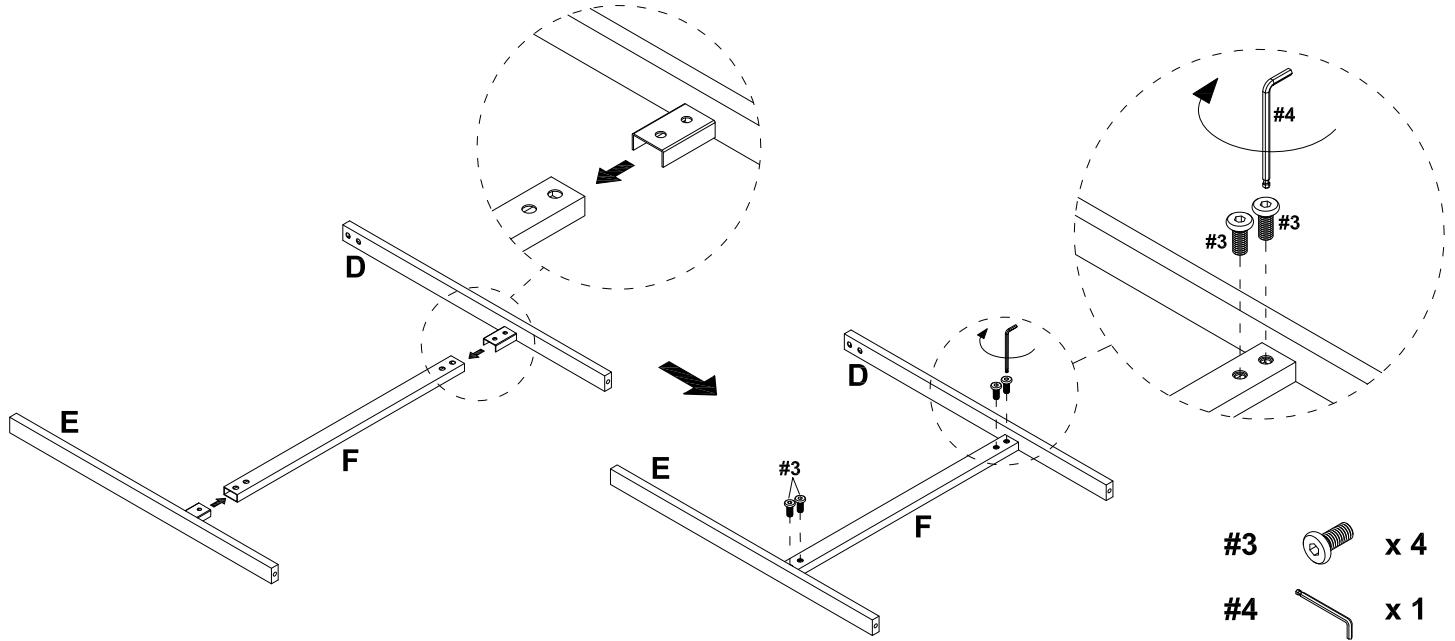
<p>A</p> 	<p>B</p> 	<p>C</p> 	<p>D</p> 	<p>E</p> 
<p>Seat 2 PCS</p>	<p>Seat Frame 2 PCS</p>	<p>Back Post 2 PCS</p>	<p>Front Left Post 2 PCS</p>	<p>Front Right Post 2 PCS</p>
<p>F</p> 	<p>G</p> 			
<p>Footrest 2 PCS</p>	<p>Bottom Frame 2 PCS</p>			

HARDWARE LIST

<p>#1</p>  <p>Ø1/4"x2 1/8"</p>	<p>#2</p>  <p>Ø1/4"x1"</p>	<p>#3</p>  <p>Ø1/4"x1/2"</p>	<p>#4</p> 
<p>Long Bolt 6 PCS (Extra 1)</p>	<p>Medium Bolt 6 PCS (Extra 1)</p>	<p>Short Bolt 20 PCS (Extra 1)</p>	<p>Allen Wrench 1 PC</p>

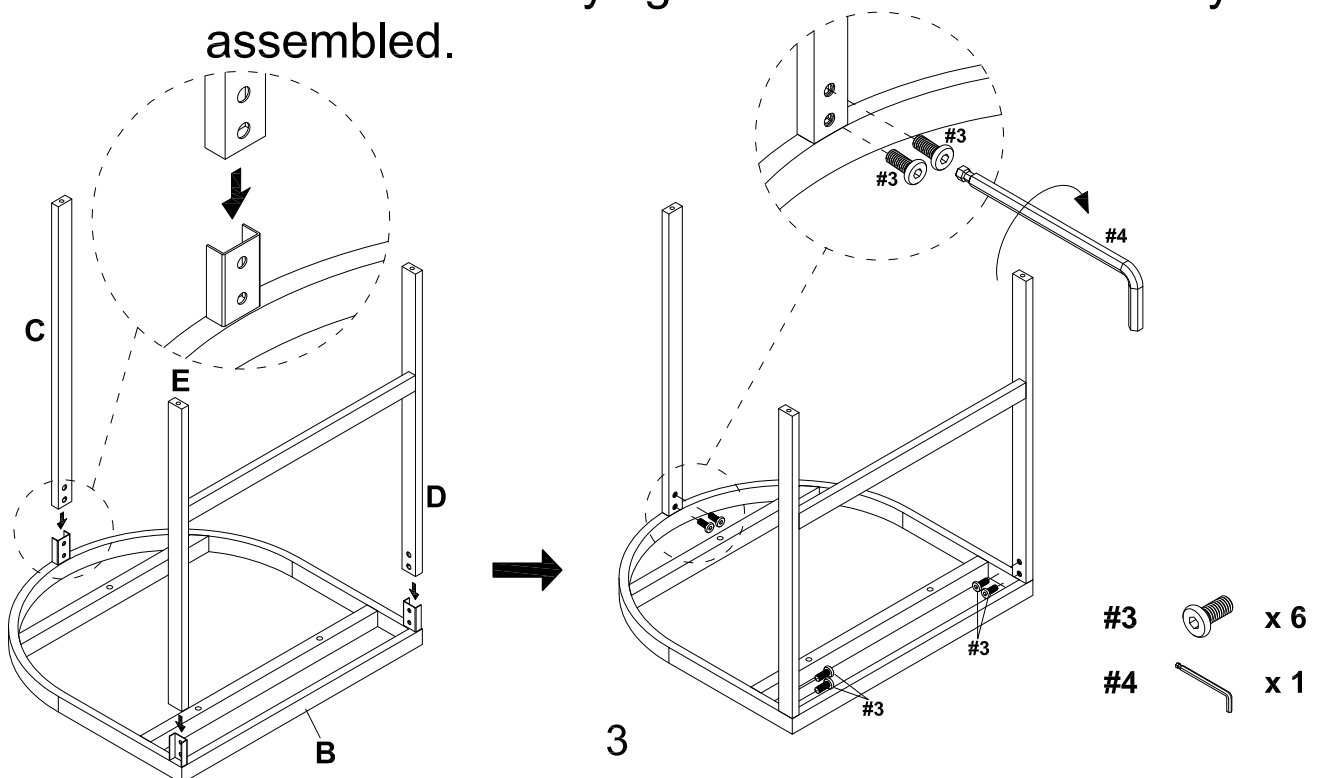
Step 1. Insert front left post (part D) and front right post (part E) to footrest (part F) using short bolts (part #3) and allen wrench (part #4).

NOTE: Please do not fully tighten bolts until unit is fully assembled.



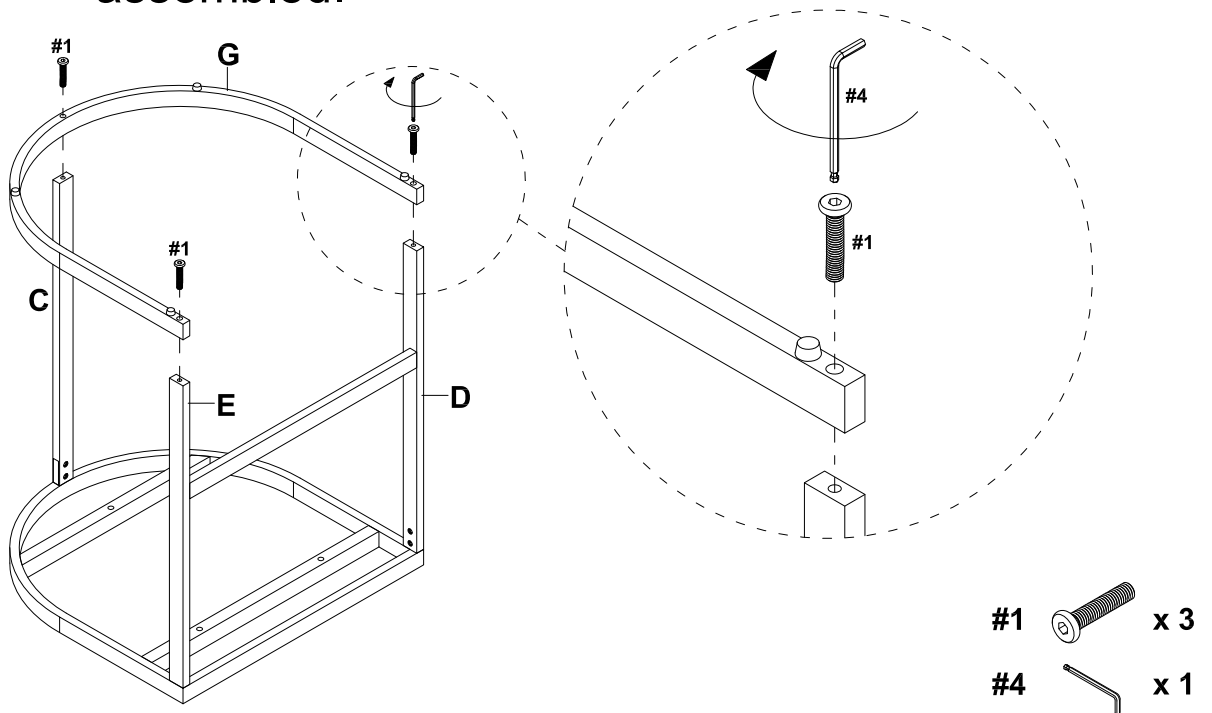
Step 2. Attach assembled unit (parts D & E) and back post (part C) to seat frame (part B) using short bolts (part #3) and allen wrench (part #4).

NOTE: Please do not fully tighten bolts until unit is fully assembled.



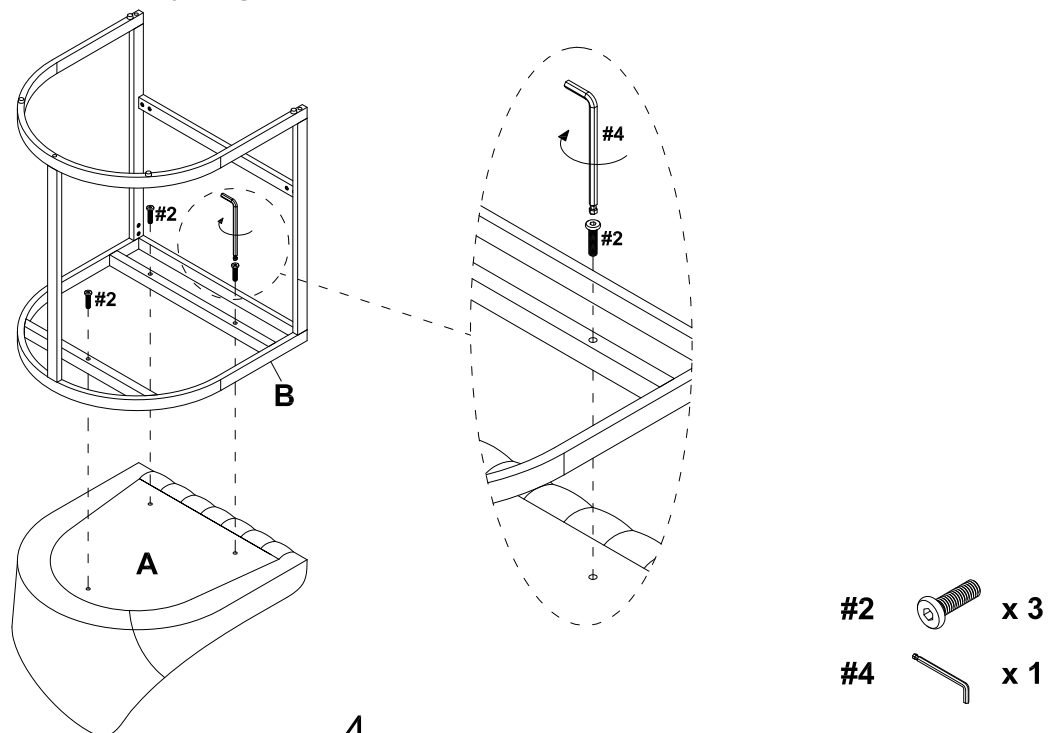
Step 3. Attach bottom frame (part G) to assembled unit (parts C, D & E) using long bolts (part #1) and allen wrench (part #4).

NOTE: Please do not fully tighten bolts until unit is fully assembled.



Step 4. Lay seat (part A) upside down on a soft flat surface, such as carpet. Attach seat (part A) to seat frame (part B) using medium bolts (part #2) and allen wrench (part #4).

NOTE: Please fully tighten all bolts at this time.



Step 5. Carefully turn unit upright. Repeat step 1-4 to assemble remaining stool.

NOTE: It is important to adjust levelers once fully assembled and upright. Extend adjustable leveler until it's firmly in contact with the floor. If relocating, adjust leveler as needed until it's firmly in contact with the floor in new location.

