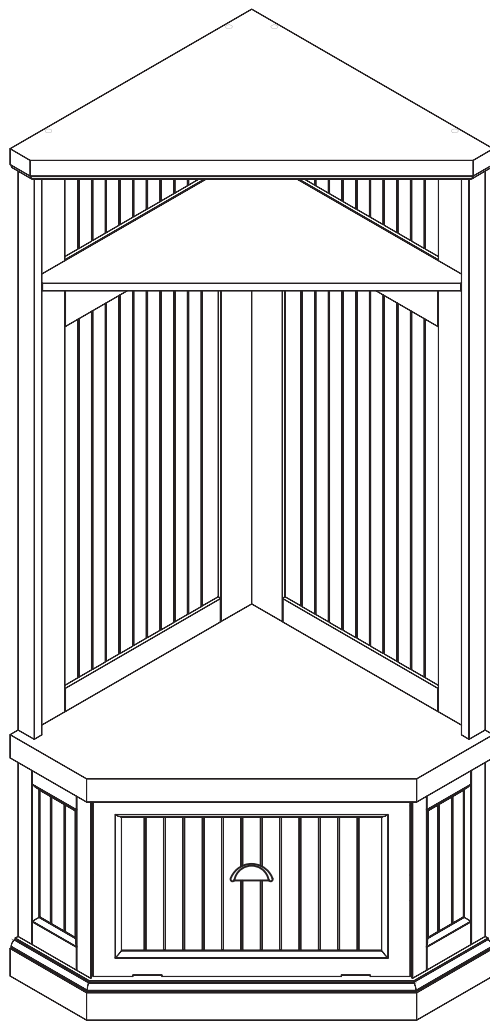

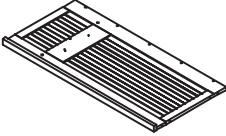
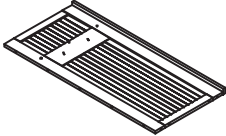
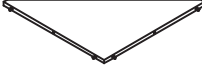

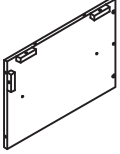
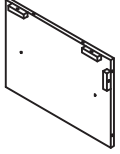


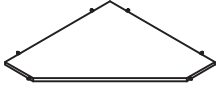

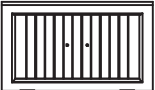


CROSLEY
FURNITURE









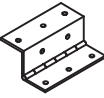


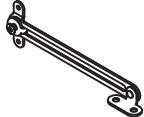




Corner Hall Tree
CF6020



PART LIST

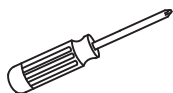
<p>A₂</p> 	<p>B</p> 	<p>C</p> 	<p>D</p> 	<p>E</p> 
<p>Top Panel 1 PC</p>	<p>Upper Left Panel 1 PC</p>	<p>Upper Right Panel 1 PC</p>	<p>Top Shelf 1 PC</p>	<p>Middle Panel 1 PC</p>
<p>F₂</p> 	<p>G₂</p> 	<p>H</p> 	<p>I</p> 	<p>J₂</p> 
<p>Left Back Panel 1 PC</p>	<p>Right Back Panel 1 PC</p>	<p>Lower Left Panel 1 PC</p>	<p>Lower Right Panel 1 PC</p>	<p>Bottom Shelf 1 PC</p>
<p>K</p> 	<p>L</p> 			
<p>Bottom Panel 1 PC</p>	<p>Door Panel 1 PC</p>			

HARDWARE LIST

<p>#1</p>  <p>ϕ8x30mm</p>	<p>#2</p>  <p>ϕ1/4"x1-1/4"</p>	<p>#3</p>  <p>ϕ1/4"x2"</p>	<p>#4</p>  <p>ϕ1/4"x3"</p>	<p>#5</p> 
<p>Wood Dowel 32 PCS (Extra 1)</p>	<p>Short Bolt 16 PCS (Extra 1)</p>	<p>Medium Bolt 8 PCS</p>	<p>Long Bolt 4 PCS</p>	<p>Allen Wrench 1 PC</p>
<p>#6</p>  <p>Handle 1 PC</p>	<p>#7</p>  <p>ϕ5/32"x1/2"</p> <p>Round Head Bolt 2 PCS</p>	<p>#8</p>  <p>Double Hook 4 PCS</p>	<p>#9</p>  <p>Hinge 2 PCS</p>	<p>#10</p>  <p>ϕ3x14mm Zinc Screw 16 PCS (Extra 1)</p>
<p>Handle 1 PC</p>	<p>Round Head Bolt 2 PCS</p>	<p>Double Hook 4 PCS</p>	<p>Hinge 2 PCS</p>	<p>Zinc Screw 16 PCS (Extra 1)</p>
<p>#11</p>  <p>ϕ3x12mm Black Short Screw 8 PCS (Extra 1)</p>	<p>#12</p>  <p>Safety Hinge 2 PCS</p>	<p>#13</p>  <p>ϕ3.5x14mm Screw 8 PCS (Extra 1)</p>	<p>#14</p>  <p>Magnet 2 PCS</p>	<p>#15</p>  <p>ϕ3x14mm Round Head Screw 4 PCS (Extra 1)</p>
<p>Black Short Screw 8 PCS (Extra 1)</p>	<p>Safety Hinge 2 PCS</p>	<p>Screw 8 PCS (Extra 1)</p>	<p>Magnet 2 PCS</p>	<p>Round Head Screw 4 PCS (Extra 1)</p>
<p>#16</p>  <p>Safety Strap Kit 1 SET</p>				

ADDITIONAL TOOLS (Not Provided)

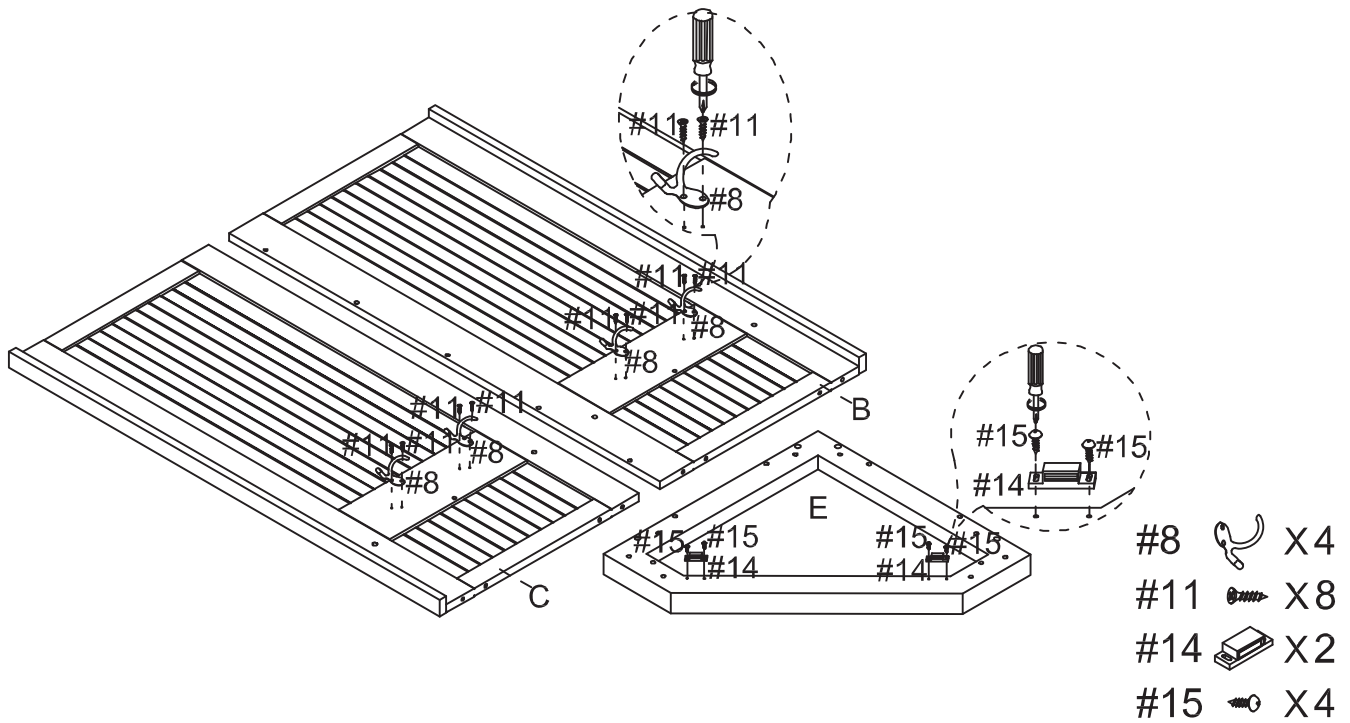
Note: It is not recommended to use power tools during assembly.



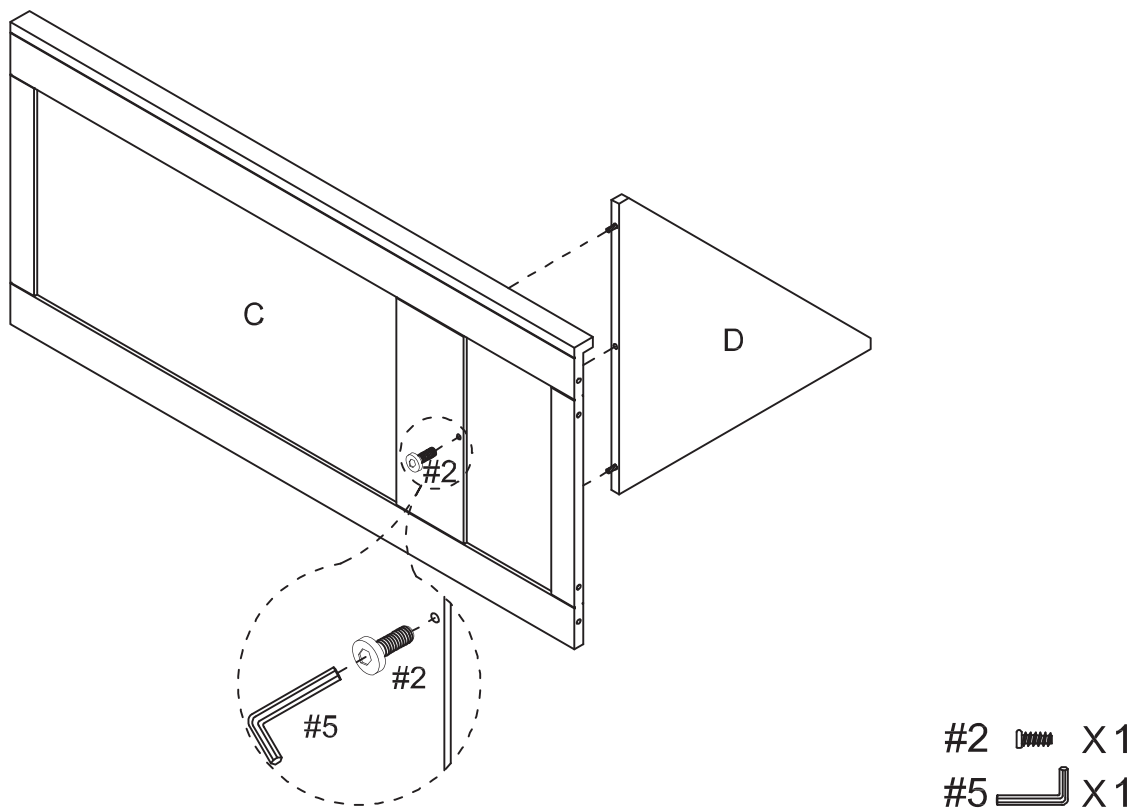
Phillips Head Screwdriver

Note: Wood dowels are intended for alignment. Additional clearance between wood dowel and pre-drilled hole is intentional for ease of assembly.

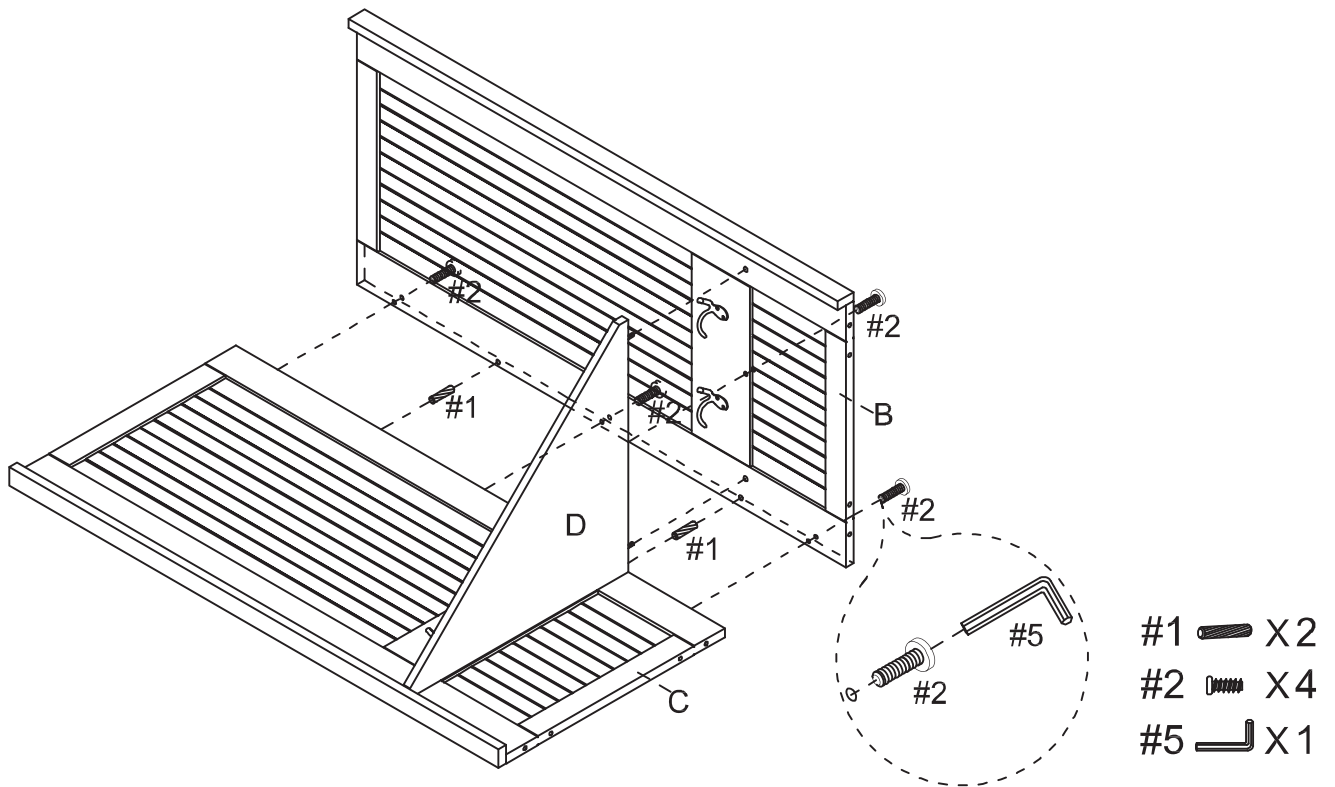
Step 1. Attach double hooks (part #8) to upper panels (parts B & C) using black short screws (part #11) and phillips head screwdriver. Attach magnets (part #14) to middle panel (part E) using round head screws (part #15) and phillips head screwdriver.



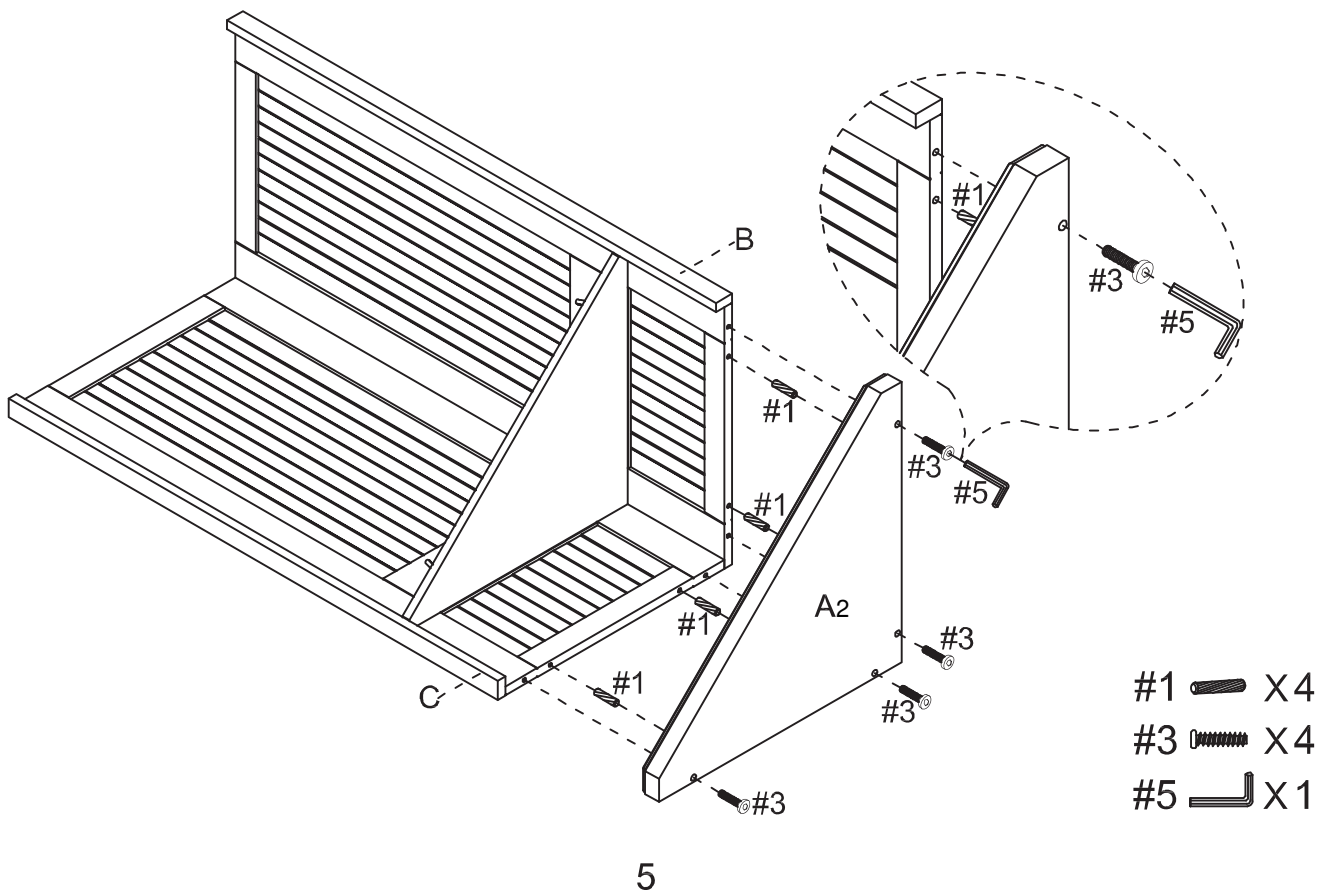
Step 2. Attach top shelf (part D) to upper right panel (part C) using short bolt (part #2) and allen wrench (part #5).



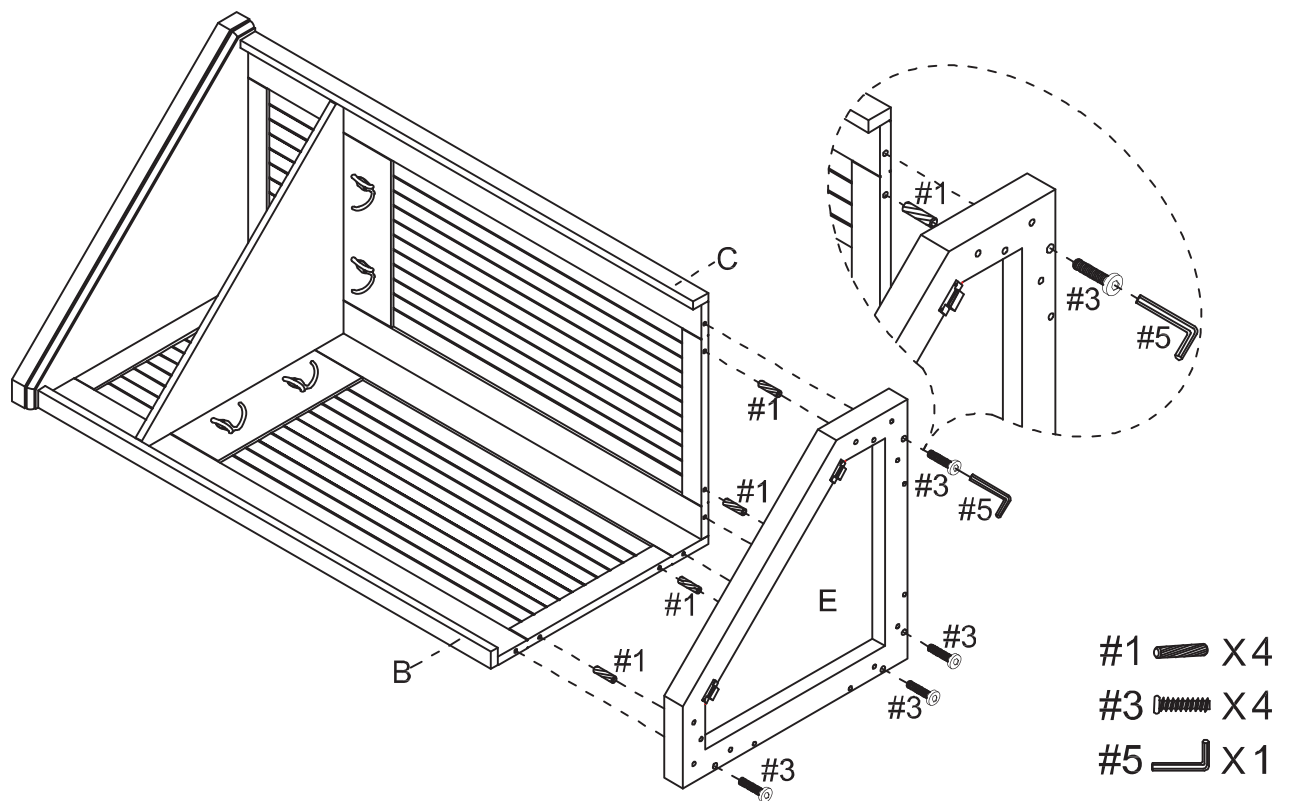
Step 3. Attach upper left panel (part B) to assembled unit (parts C & D) using wood dowels (part #1), short bolts (part #2) and allen wrench (part #5).



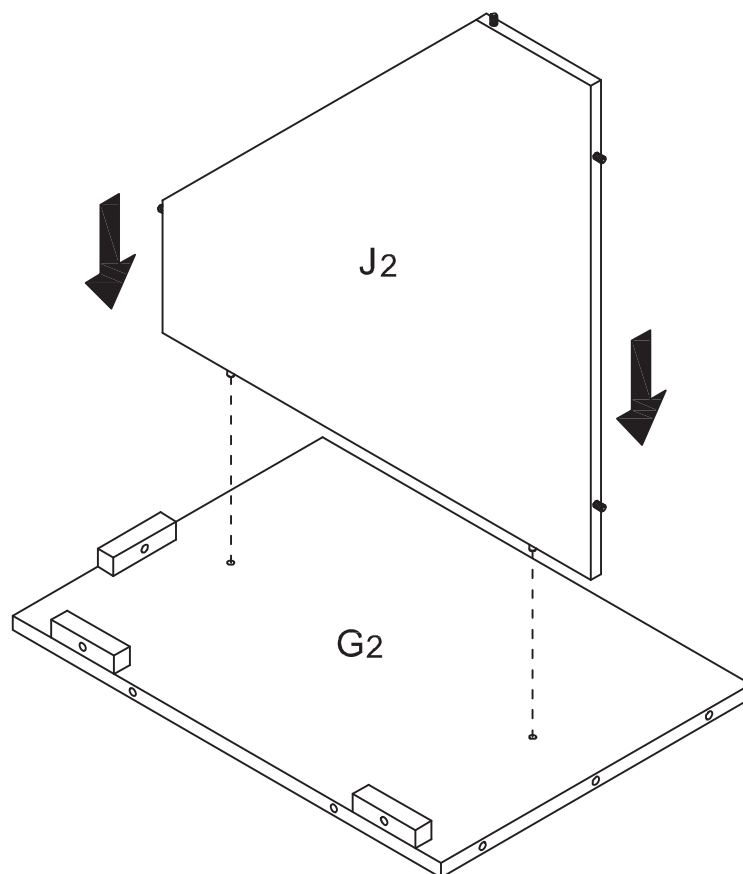
Step 4. Attach top panel (part A2) to upper panels (parts B & C) using wood dowels (part #1), medium bolts (part #3) and allen wrench (part #5).



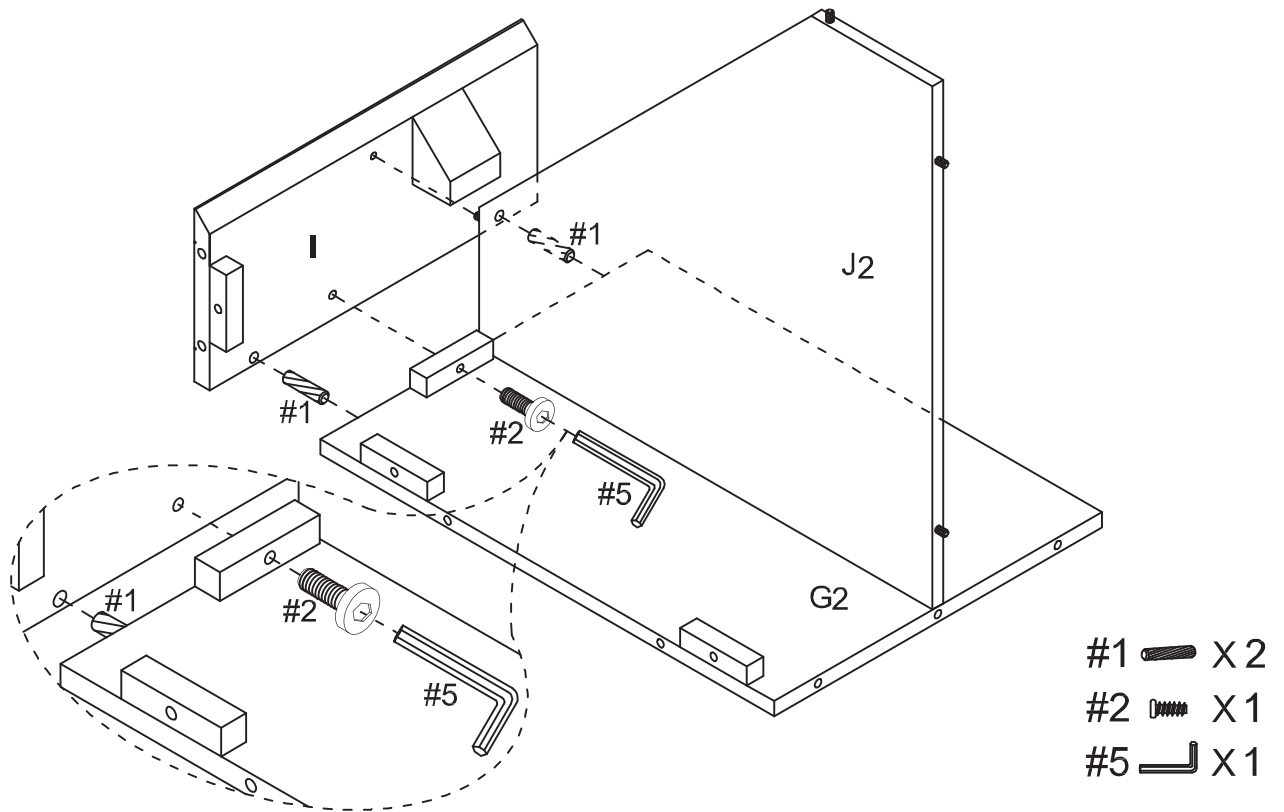
Step 5. Attach middle panel (part E) to upper panels (parts B & C) using wood dowels (part #1), medium bolts (part #3) and allen wrench (part #5).



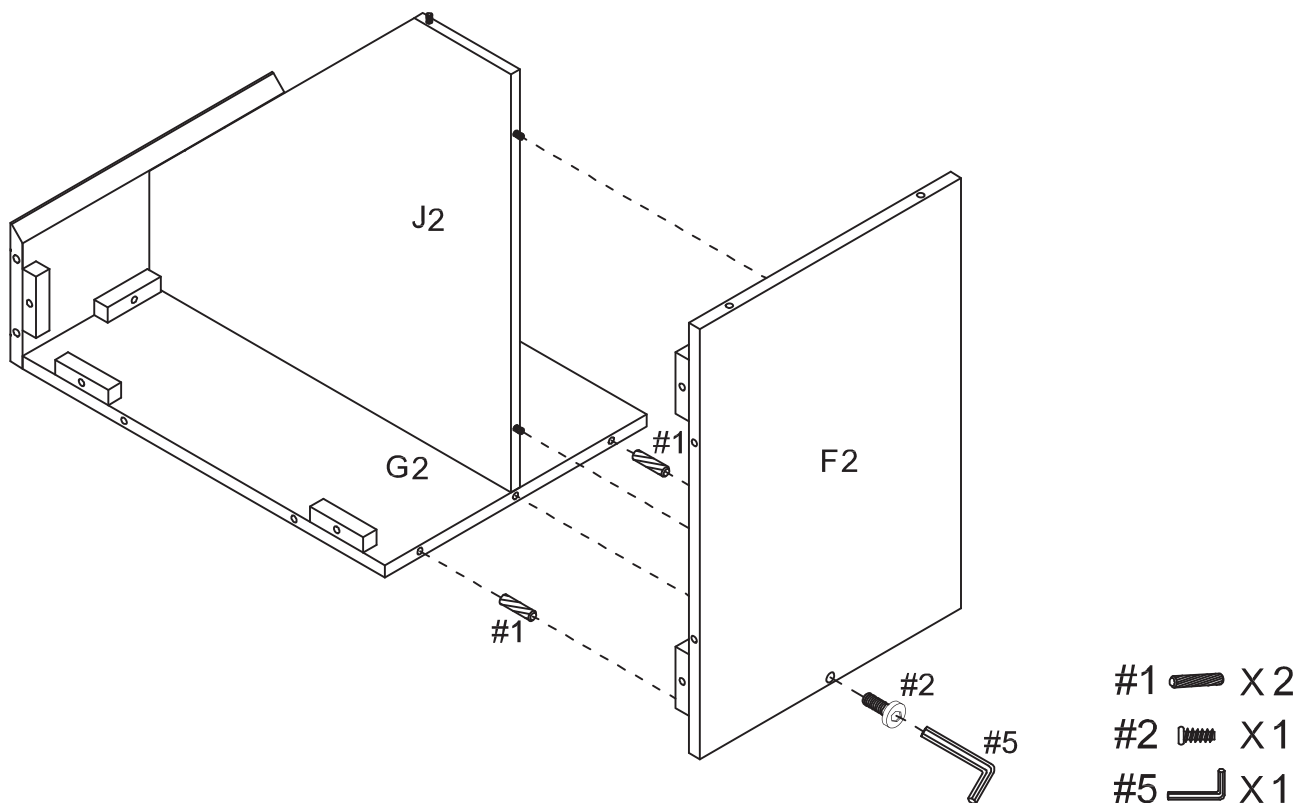
Step 6. Slide bottom shelf (part J2) to right back panel (part G2).



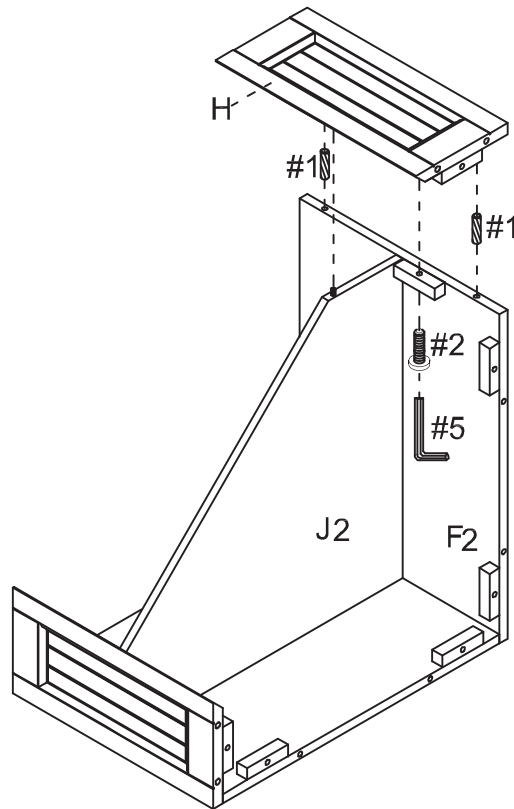
Step 7. Attach lower right panel (part I) to assembled unit (parts G2 & J2) using wood dowels (part #1), short bolt (part #2) and allen wrench (part #5) .






Step 8. Attach left back panel (part F2) to assembled unit (parts G2 & J2) using wood dowels (part #1), short bolt (part #2) and allen wrench (part #5).

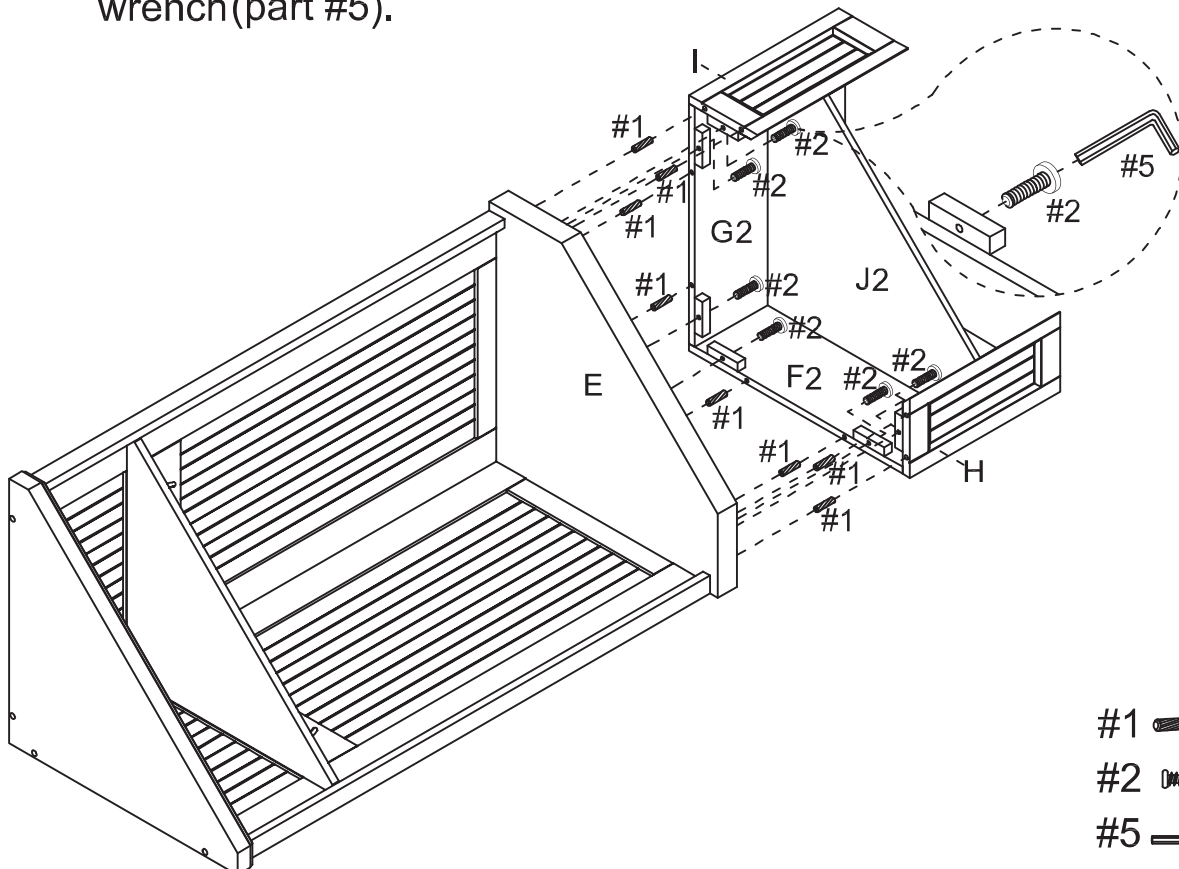





Step 9. Attach lower left panel (part H) to assembled unit (parts F2 & J2) using wood dowels (part #1), short bolt (part #2) and allen wrench (part #5).



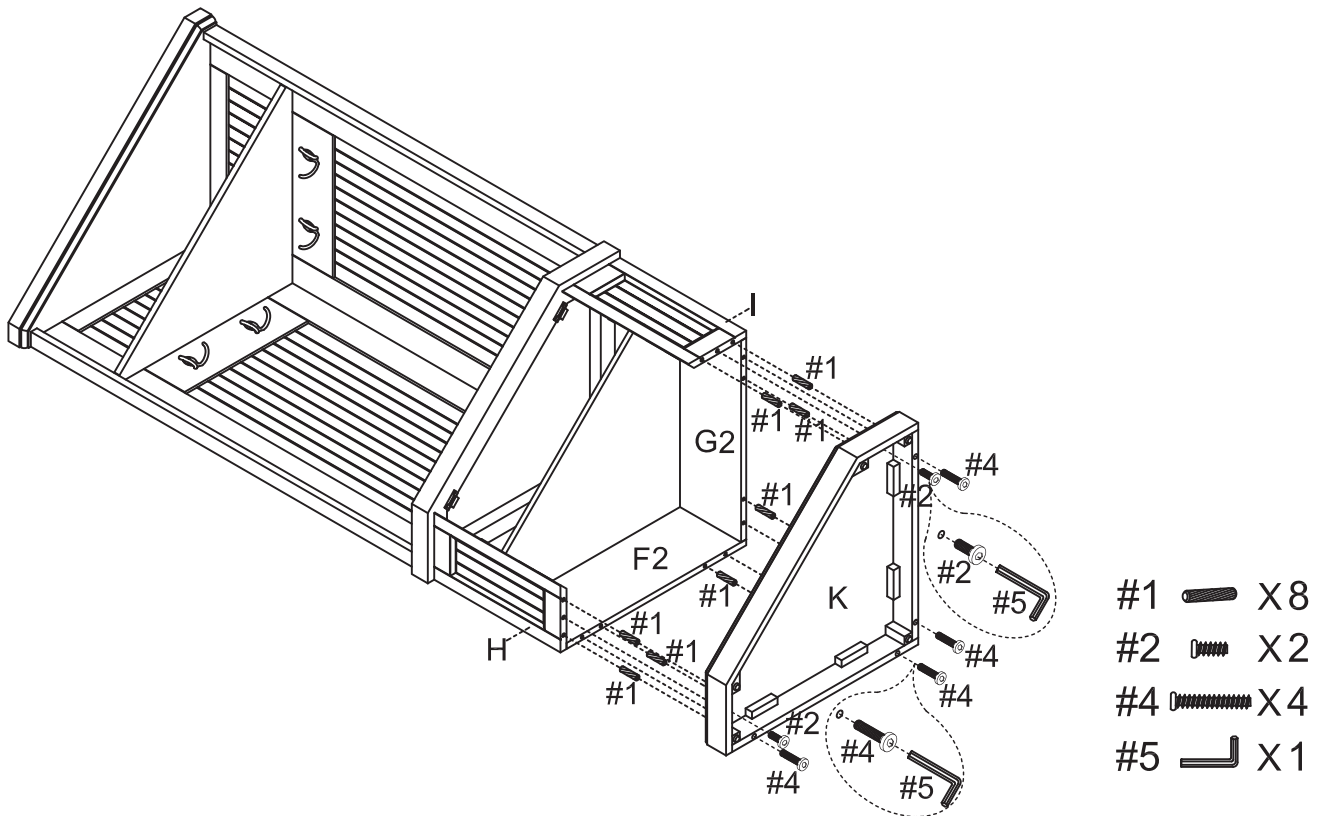
- #1  X2
- #2  X1
- #5  X1

Step 10. Attach assembled unit (parts F2, G2, H, I & J2) to middle panel (part E) using wood dowels (part #1), short bolts (part #2) and allen wrench (part #5).

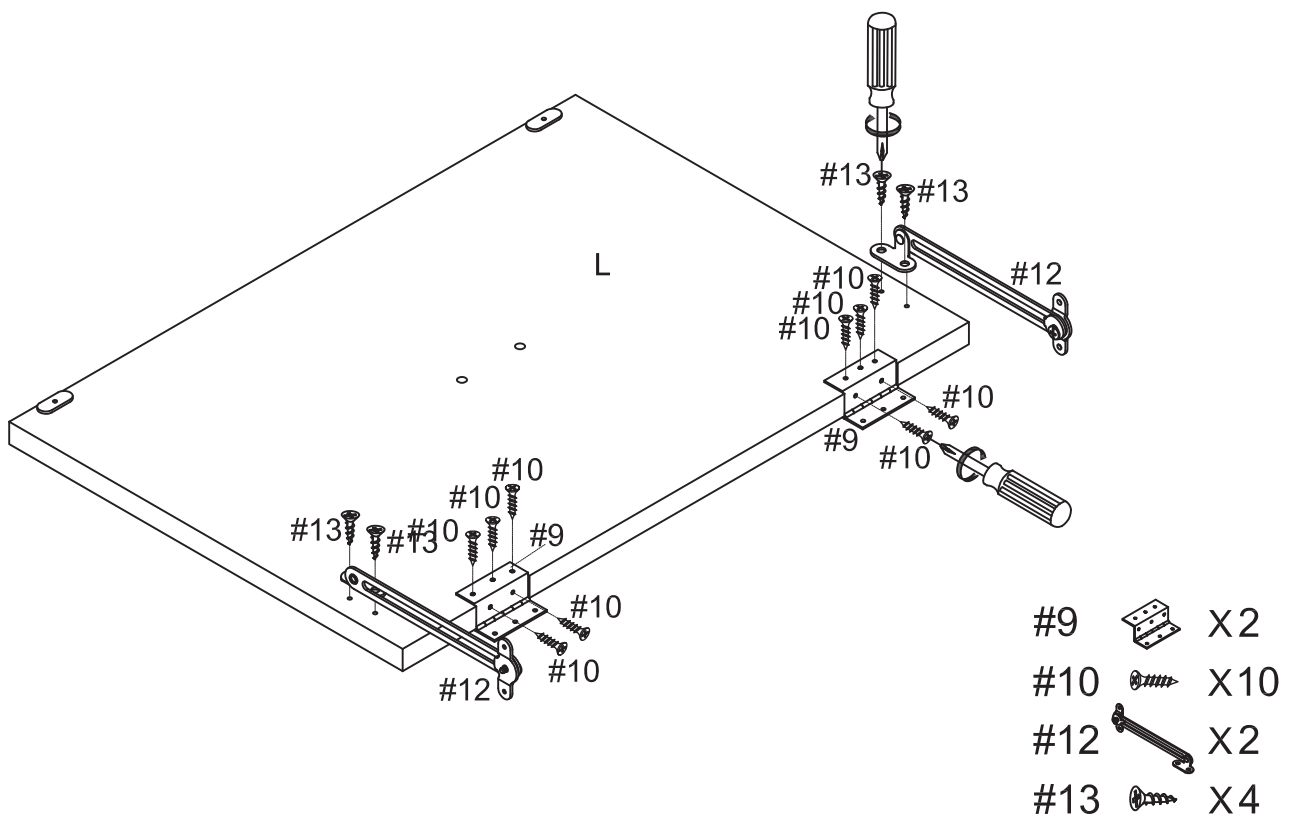


- #1  X8
- #2  X6
- #5  X1

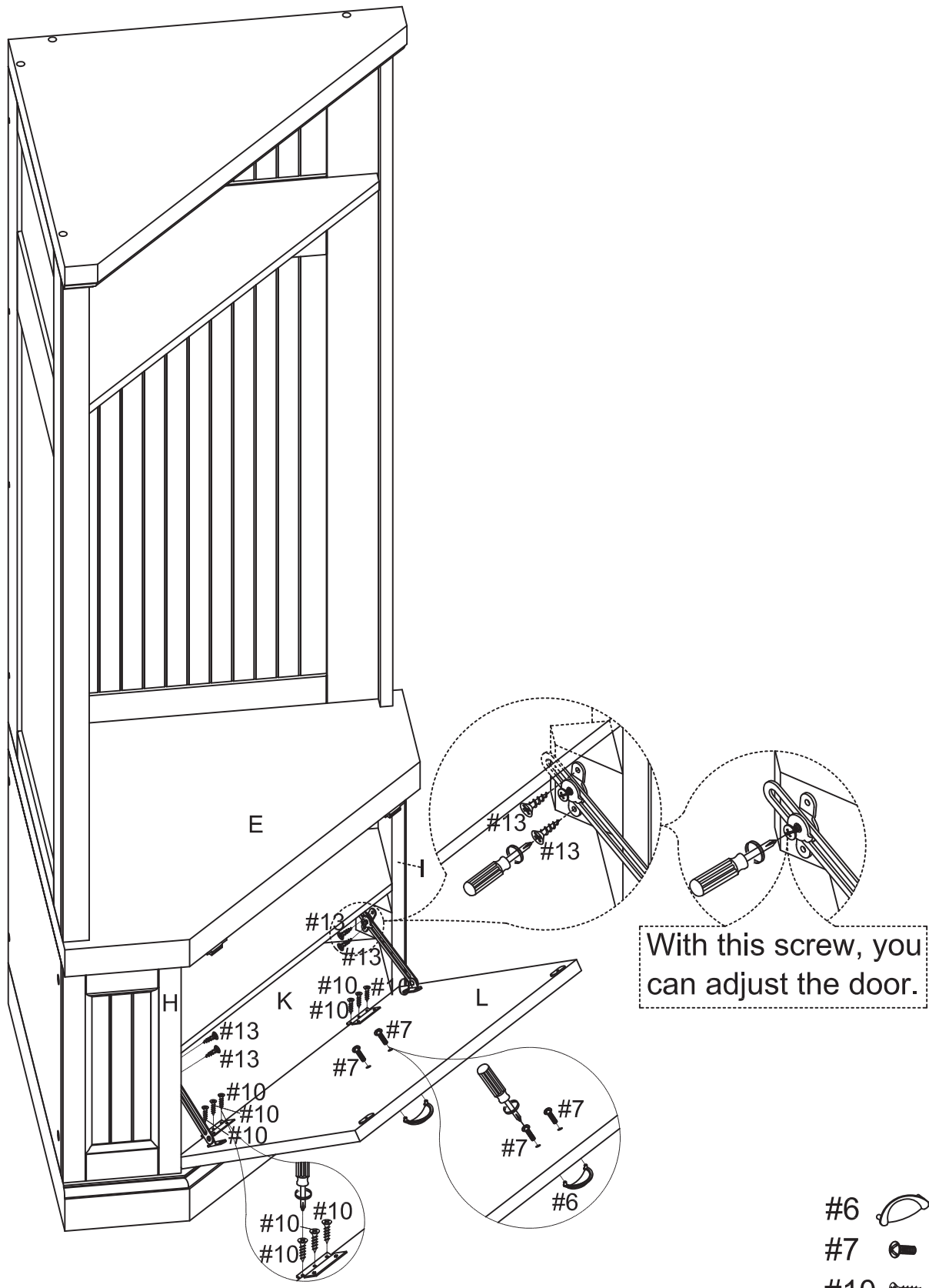
Step 11. Attach bottom panel (part K) to assembled unit (parts F2, G2, H & I) using wood dowels (part #1), short bolts (part #2), long bolts (part #4) and allen wrench (part #5).



Step 12. Attach hinges (part #9) and safety hinges (part #12) to door panel (part L) using zinc screws (part #10), screws (part #13) and phillips head screwdriver.



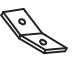





Step 13. Carefully turn unit upright. Attach door panel (part L) to lower panels (parts H & I) using zinc screws (part #10), screws (part #13) and phillips head screwdriver. Attach handle (part #6) to door panel (part L) using round head bolts (part #7) and phillips head screwdriver.



With this screw, you can adjust the door.

- #6  X1
- #7  X2
- #10  X6
- #13  X4

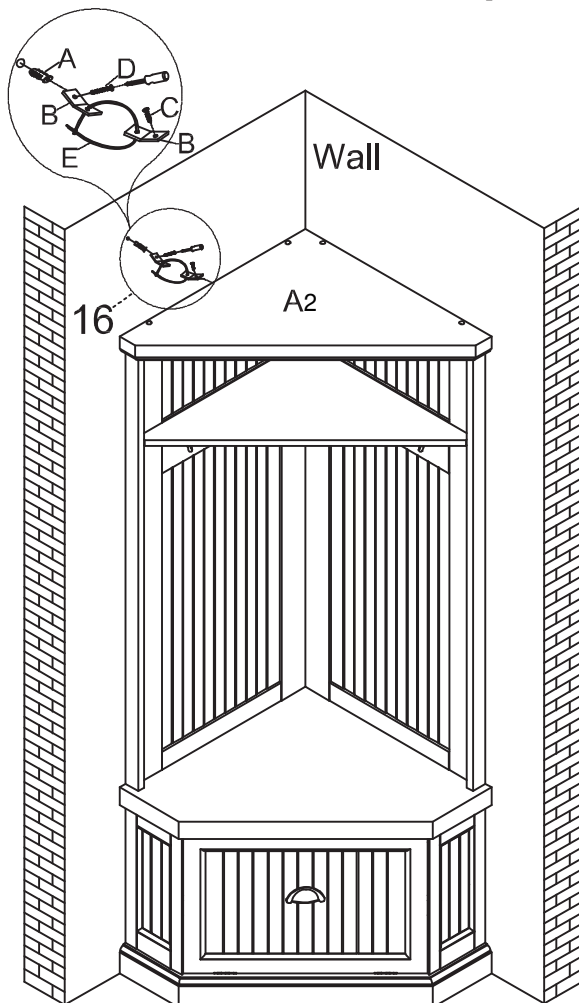
#16	A	B	C	D	E
					
Safety Strap Kit 1 SET	Wall Anchor 1 PC	Bracket 2 PCS	5/8"x ϕ 3xD8 Short Screw 1 PC	1-1/2"x ϕ 4xD8 Long Screw 1 PC	Safety Wall Strap 1 PC

SAFETY WALL STRAP INSTALLATION

Note: It is highly recommended to install this safety strap kit to prevent tipping, damage and/or injury.

1. Insert short screw (C) and safety wall strap (E) through bracket (B) and attach to top panel (part A₂) using phillips head screwdriver.
2. Drill a 11/32" hole where you want to secure the unit. The drilled hole will be at the same height as the hole in top panel (part A₂) where bracket (B) is attached. Tap wall anchor (A) into the hole.
3. Insert long screw (D) and safety wall strap (E) through bracket (B) into wall anchor (A) using phillips head screwdriver.

Note: This item is not intended for clothing storage use.



⚠ WARNING	
	<p>Children have died from furniture tipover. To reduce the risk of furniture tipover:</p> <ul style="list-style-type: none"> · ALWAYS install tipover restraint provided. · NEVER put a TV on this product. · NEVER allow children to stand, climb or hang on drawers, doors, or shelves. · NEVER open more than one drawer at a time. · Place heaviest items in the lowest drawers.
	<p style="text-align: right;"><i>This is a permanent label. Do not remove!</i></p>