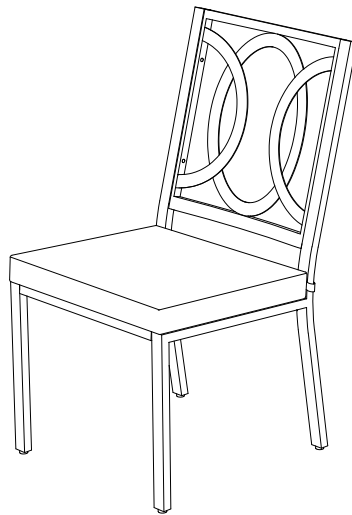


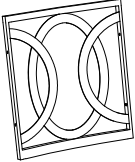
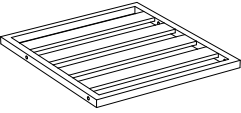

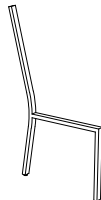
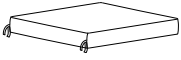

CROSLEY
FURNITURE

2PC Outdoor Metal Dining Chair Set

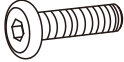
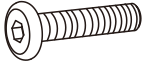


CO7244



PART LIST

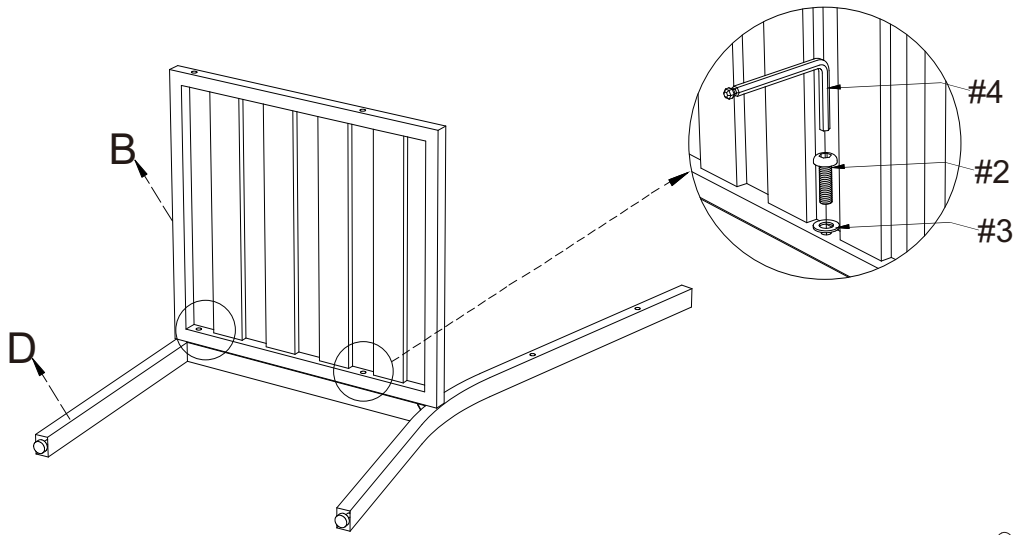
A 	B 	C 	D 	E 
Back Panel 2 PCS	Seat Panel 2 PCS	Right Arm Panel 2 PCS	Left Arm Panel 2 PCS	Seat Cushion Cover * 2 PCS
F 	*Please note cushion covers will ship separately.			
Seat Cushion Core 2 PCS				

HARDWARE LIST

#1 	#2 	#3 	#4 
M6*25mm Bolt 8 PCS (Extra 1)	M6*35mm Long Bolt 8 PCS (Extra 1)	M6mm Flat Washer 16 PCS (Extra 1)	M6mm Allen Wrench 1 PC

Step 1. Lay left arm panel (part D) down on a soft flat surface, such as carpet, as shown below. Attach seat panel (part B) to left arm panel (part D) using long bolts (part #2), flat washers (part #3) and allen wrench (part #4).

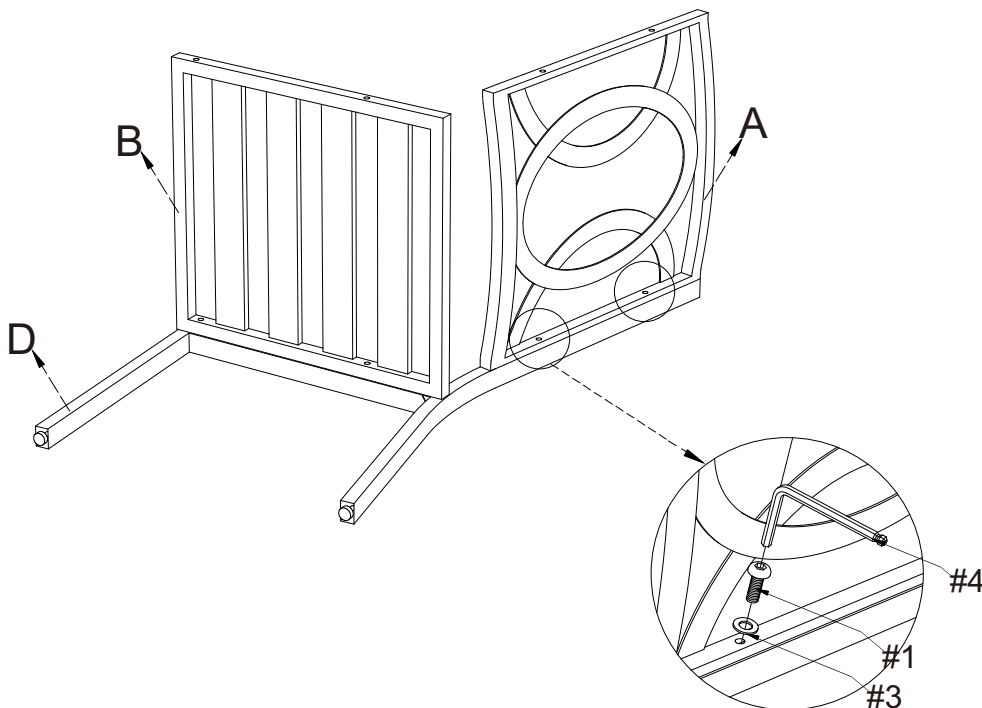
NOTE: Please do not fully tighten bolts until unit is fully assembled.




#2		x2
#3		x2
#4		x1

Step 2. Attach back panel (part A) to left arm panel (part D) using bolts (part #1), flat washers (part #3) and allen wrench (part #4).

NOTE: Please do not fully tighten bolts until unit is fully assembled.

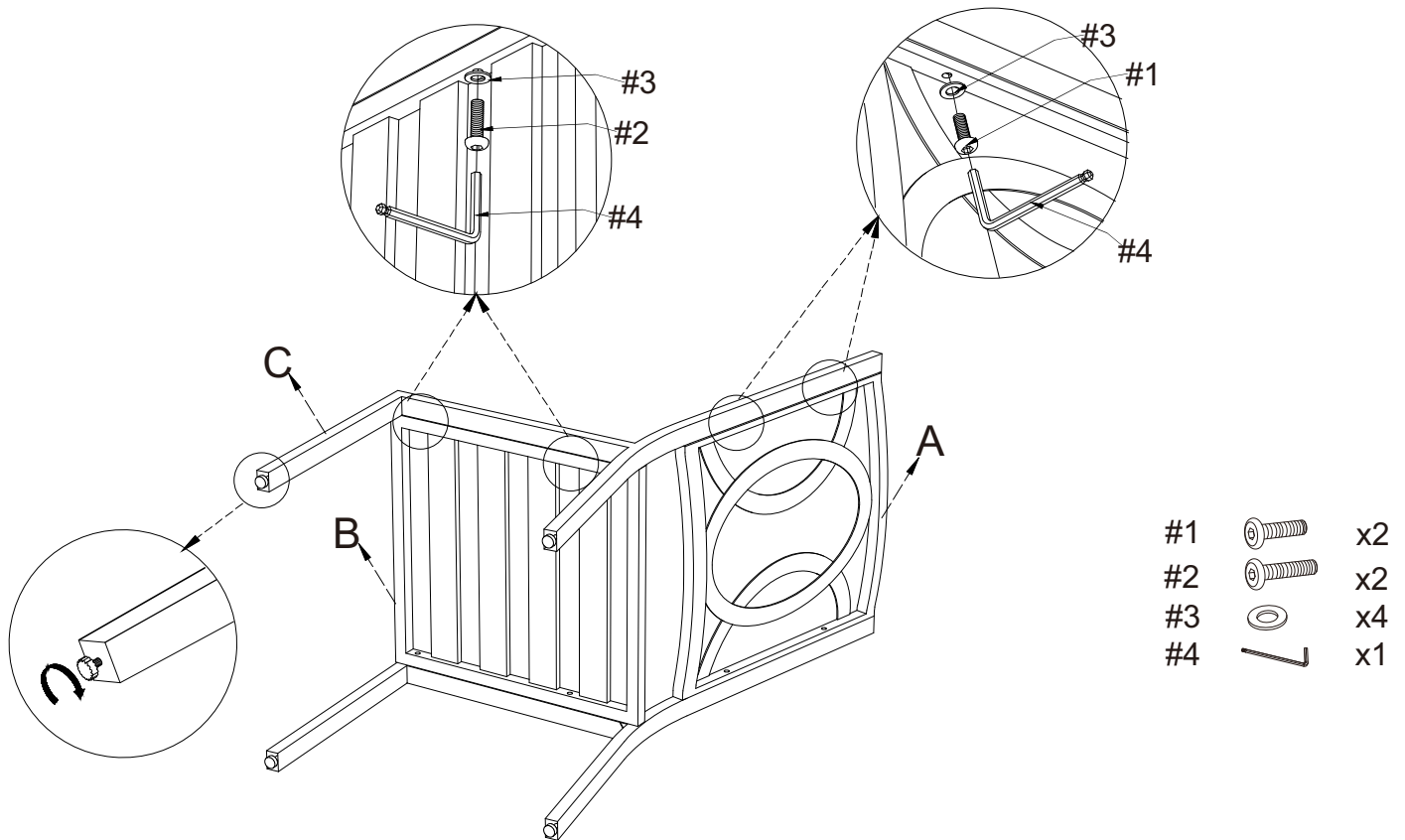


#1		x2
#3		x2
#4		x1

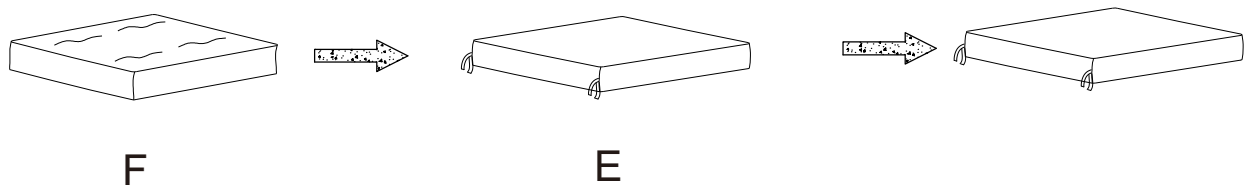
Step 3. Attach right arm panel (part C) to back panel (part A) and seat panel (part B) using bolts (part #1), long bolts (part #2), flat washers (part #3) and allen wrench (part #4).

NOTE: Please fully tighten all bolts at this time.

NOTE: It is important to adjust levelers once fully assembled and upright. Extend adjustable leveler until it's firmly in contact with the floor. If relocating, adjust leveler as needed until it's firmly in contact with the floor in new location.



Step 4. Insert seat cushion core (part F) into seat cushion cover (part E).



Step 5. Carefully turn unit upright. Place seat cushion as shown below.
Repeat steps 1-5 to assemble remaining chair.

