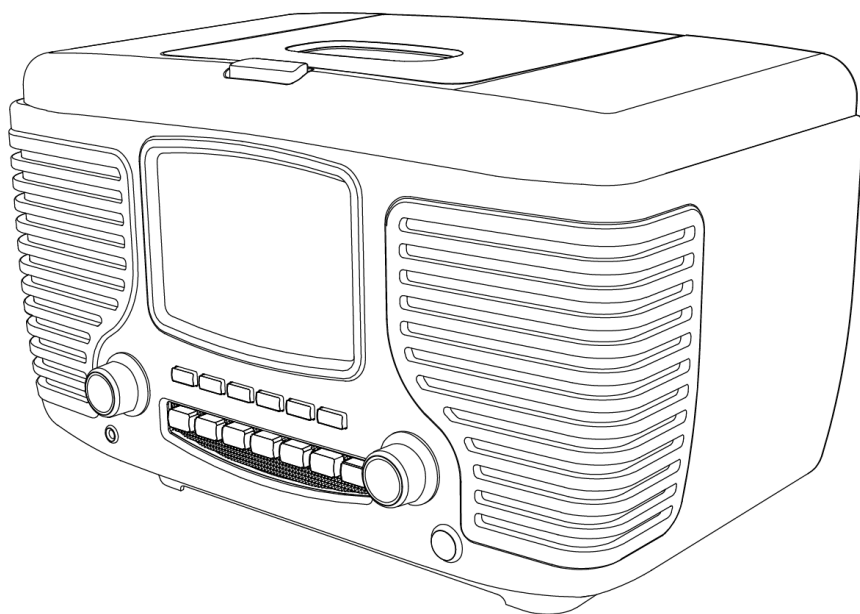




**CR612B**  
**Corsair Radio**  
**Instruction Manual**

---



Questions, problems, missing parts?  
Before returning to the store, call Customer Service  
8 a.m. – 6 p.m., EST, Monday – Friday  
1-888-CROSLEY  
[www.crosleyradio.com/support](http://www.crosleyradio.com/support)

## **Safety Instructions**

---

Read and understand this entire manual before using this product. Keep these instructions for future reference.

1. Do not use this product near water.
2. This product should be operated only by the type of power source indicated on the marking label or in this instruction manual.
3. Do not defeat the safety purpose of the polarized plug. A polarized plug has two blades with one blade wider than the other. This plug will fit into the power outlet only one way. If you are unable to insert the plug fully into the outlet try reversing the plug. If the plug should still fail to fit, contact your electrician.
4. Protect the power cord from being walked on or pinched particularly at plugs, convenience receptacles, and the point where they exit from the product.
5. Do not overload wall outlets, extension cords, or integral convenience receptacles as this can result in a risk of fire or electric shock.
6. Never push objects of any kind into this product through openings as they may touch dangerous voltage points or short-out parts that could result in a fire or electric shock. Never spill liquid of any kind on the product.
7. Do not attempt to service this product yourself as opening or removing covers may expose you to dangerous voltage or other hazards. Refer all servicing to qualified service personnel.
8. Changes or modifications to this unit not expressly approved by the party responsible for compliance could void the user's authority to operate the equipment.
9. Do not use attachments not recommended by the product manufacturer as they may cause hazards.
10. A product and cart combination should be moved with care. Quick stops, excessive force, and uneven surfaces may cause the product and cart combination to overturn.
11. Slots and openings in the cabinet are provided for ventilation and to ensure reliable operation of the product and to protect it from overheating. Do not block or cover these openings.
12. Unplug the product during lightning storm or when unused for long periods of time.

## Items in this package

---

Before throwing away any packaging materials, please check thoroughly and make sure you find the following items that come along with this package:

- Radio

Please contact Crosley customer service if there is any accessory missing from the package. **Retain the original packaging materials for exchange or return purposes.**

## Specifications

---

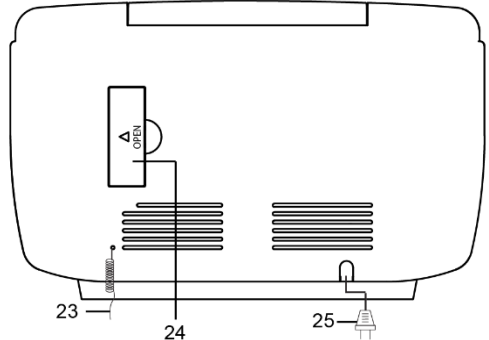
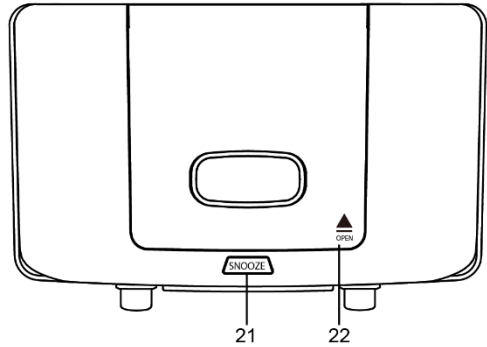
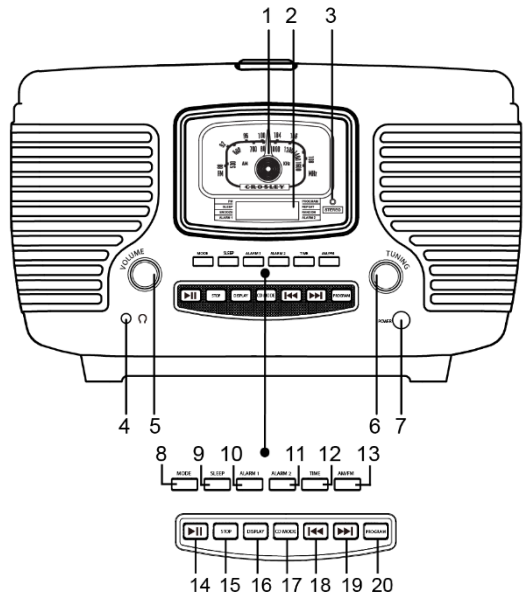
Power	AC 120V ~ 60 Hz
Power consumption	20 W
Speaker	4 Ω 5W, 2.5"
Frequency Range	FM 87.5 – 108.5 MHz AM 525 – 1710 KHz

Note:

- *Design and specifications are subject to change without notice.*
- **To help save power consumption, some models will comply with ERP energy saving standard. When there is no audio input for 20 minutes, their powers will automatically cut-off. To turn power back on and resume playing, you will need to turn off the power and turn it on again.**

## Product Description

1. Tuner Dial
2. LED Display
3. FM Stereo Indicator
4. Headphone Jack
5. Volume Knob
6. Tuning Knob
7. Power Button
8. Mode Button
9. Sleep Button
10. Alarm 1 Button
11. Alarm 2 Button
12. Time Button
13. AM/FM Button
14. Play/Pause Button
15. Stop Button
16. Display Button
17. CD Mode Button
18. Backward Skip Button
19. Forward Skip Button
20. Program Button
21. Snooze Button
22. CD Door Button
23. FM Wire Antenna
24. Battery Cover
25. AC Power Cord



## Initial Setup

---

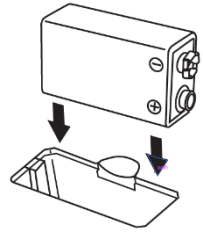
### Essential Setup

1. Place the unit on a flat and level surface. The selected location should be stable and free from vibration.
2. Remove the plastic bag covering the radio.
3. Press Open to open the CD Door.
4. Remove the cardboard shipping card from the CD Player.
5. Unwind FM Antenna and allow it to hang straight down.
6. Remove plastic bag covering the AC Power Cord.
7. Untie the AC Power Cord at the back of the unit.
8. Remove plug safety cover on the prongs of the plug.
9. Plug the AC cord into an appropriate outlet

### Battery Backup

This Model includes a battery back-up circuit. The battery will maintain the clock and alarm settings in the event of a power failure. The battery back-up requires one 9V battery (not included). To install/replace the battery, follow the instructions below.

1. Press in on the locking tab to remove the battery cover.
2. Attach a 9V battery to the battery contacts as shown.
3. Tuck the battery back into the battery compartment and replace the battery cover.



## Clock Setup

---

### Setting the Clock

1. Press the Time button twice, and the hour digits will start flashing.
2. Press the Backward or Forward Skip buttons to adjust the hour while the digits are flashing.
3. Press the Time button, and the minute digits will start flashing.
4. Press the Backward or Forward skip buttons to adjust the minute while the digits are flashing.
5. Press the Time button to set the clock.
6. Long press the Time button to switch between 12 and 24 hour mode.

## Setting the Alarm

---

The alarm function allows you to set two alarms to ring at different times.

1. Press Alarm 1 or Alarm 2 button. The clock display will switch to alarm time and start to flash. The corresponding Alarm LED will come on.
2. Press the Time button and use the Forward or Backward Skip buttons to set the hour.  
*Note: The PM LED will come on to denote PM hour in 12 hour mode.*
3. Press the Time button and use the Forward or Backward Skip buttons to set the minutes.
4. Press the Time button and set the alarm mode (Buzz, CD, or Radio). Use the Forward or Backward Skip buttons to select the mode.
5. Press the Time button and the alarm will be set.
6. Once set, the alarm will go off once the clock reaches the set alarm time. The set Alarm's LED will begin to flash.
7. To stop the alarm while it is going off, press the Alarm button.
8. To turn off the alarm function, press the corresponding Alarm button again, and the Alarm LED light will go off.

### Snooze the alarm

1. When the Alarm is going off, press the SNOOZE button.
2. After 9 minutes, the alarm will go off again.
3. To stop the alarm while it is going off, press the Alarm button.

## Radio Operation

---

1. Press the Power Button to turn the unit on.
2. Press the Mode Button to the Radio mode (rA)
3. Press the AM/FM Button to the desired tuning band.
4. Rotate the Tuning Knob for desired radio station.
  - *The unit is equipped with a FM wire antenna. To FM improve reception, move the wire around until the reception is clear without interferences. Do not connect the wire to any additional antenna.*
  - *The AM antenna is built inside the unit. If AM reception is poor, try to rotate the unit for better reception.*

### Set the Sleep Timer

1. Press the Sleep button on the unit repeatedly to select your desired number of minutes. The number of minutes shown will display in this sequence:  
90 → 60 → 30 → 15 → OFF
2. Stop pressing the Sleep button when your desired number of minutes is displayed. The sleep timer is now set.

3. To cancel the sleep timer, press the Sleep button repeatedly until "OFF" shows on the display.

## **CD Playback Operation**

---

1. Press the Power Button to turn the unit on.
2. Press the Mode Button to the CD mode (CD)
3. Press the CD Door Button to open the CD tray and put the CD in the tray with the labeled side facing up.
4. Manually close the CD Door. The LED display will show "--" for a few seconds, then the total number of tracks on the CD. If it is a blank CD or an unrecognizable CD, it will show "NO".  
*Note: MP3 or similar types of digital audio files cannot be read by the CD player.*
5. Press the Play/Pause button to start the playback.
6. During the playback, press the Play/Pause button to pause. Press it again to resume playback.
7. To skip to the next or previous track, press the Forward Skip or Backward Skip button correspondingly.
8. To search fast forward or backward a track, press and hold the Forward Skip or Backward Skip button correspondingly until you reach the desired time. Release the button and the playback will resume.
9. To repeat a specific track, press CD Mode button once while that track is playing and the repeat indicator will start flashing. To repeat all the tracks, press the CD Mode button twice and the repeat indicator will remain on. To randomize all of the tracks, press the CD Mode button three times, and the random indicator will remain on. To cancel repeat functions and random function, press the CD Mode button four times.
10. Press the Stop button if you want to completely stop playback.

### **Programmed Playback**

1. Before starting the playback, press the Program button once to enter program mode. Program Indicator will start flashing. The LCD display will flash "P - 01" as the track sequence which is to be edited.
2. Press the Forward Skip or Backward Skip buttons to select the desired track that you would like to play. The LED's number will turn steady instead of flashing, showing the sound track number at selection.
3. Press the Program button to confirm the selected track. The LED's number will start flashing again showing the next track sequence which is to be edited.
4. Repeat steps 2 & 3 for additional sound tracks that you would like to play. The tracks can be in any number and repeated. A maximum of 20 tracks can be programmed at one time.

5. Press Play/Pause button to start the programmed playback. The tracks will play in the same sequence that you programmed earlier.
6. To exit the program mode, press the Stop button twice and the Program Indicator will be off.

## **Bluetooth Operation**

---

1. Press the Mode button to Bluetooth mode  $\text{X}$ , you will hear an activation sound from the unit.
2. Turn on the Bluetooth feature of your audio device, search for “CROSLEY CR612B” and pair.
3. Once your device is successfully paired with the unit, you will hear a short confirmation sound from the unit.
4. Play and stream music from your device to the unit.

*Note: Bluetooth Version – 4.1*

## **Troubleshooting**

---

### **There is no power**

- No power at the power outlet.
- To help save power consumption, some models will comply with ERP energy saving standard. When there is no audio input for 20 minutes, their powers will automatically cut-off. To turn power back on and resume playing, turn off the power and turn it on again.

### **CD does not play**

- Function mode is not set to CD.
- The CD is blank.
- The CD is placed on the tray incorrectly with the label side facing down.
- The CD has unsupported digital audio files like MP3 and similar types of format.
- The CD has too many scratches or is dirty.



## **FCC Statements**

---

NOTE: This equipment has been tested and found to comply with the limits for a Class B digital device, pursuant to part 15 of the FCC Rules. These limits are designed to provide reasonable protection against harmful interference in a residential installation. This equipment generates uses and can radiate radio frequency energy and, if not installed and used in accordance with the instructions, may cause harmful interference to radio communications. However, there is no guarantee that interference will not occur in a particular installation. If this equipment does cause harmful interference to radio or television reception, which can be determined by turning the equipment off and on, the user is encouraged to try to correct the interference by one or more of the following measures:

- Reorient or relocate the receiving antenna.
- Increase the separation between the equipment and receiver.
- Connect the equipment into an outlet on a circuit different from that to which the receiver is connected.
- Consult the dealer or an experienced radio/TV technician for help.

Changes or modifications not expressly approved by the party responsible for compliance could void the user's authority to operate the equipment.

This device complies with Part 15 of the FCC Rules. Operation is subject to the following two conditions:

1. This device may not cause harmful interference, and
2. This device must accept any interference received, including interference that may cause undesired operation.