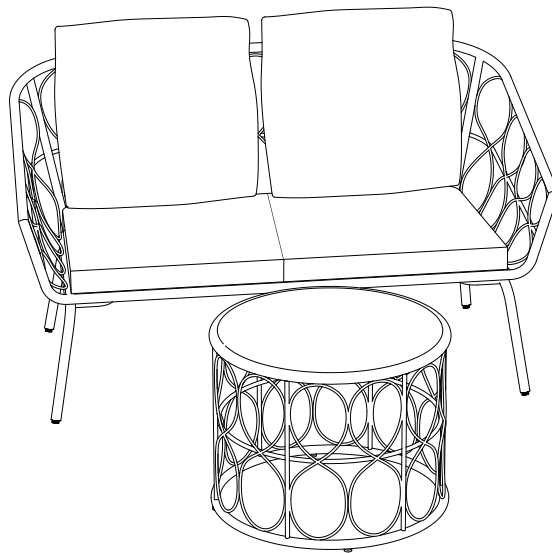


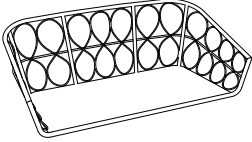
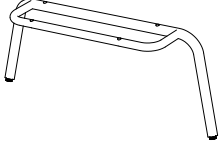
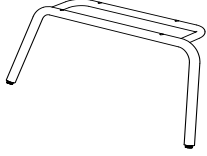
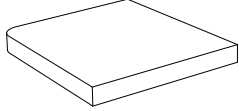
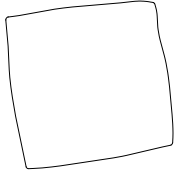
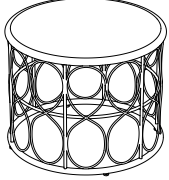
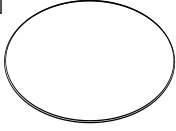
CROSLEY

FURNITURE

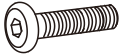


Outdoor Wicker Loveseat & Coffee Table
CO7371



PART LIST

| | | | | |
|---|---|---|--|---|
| A  | B  | C  | D  | E  |
| Seat Panel 1 PC | Left Leg 1 PC | Right Leg 1 PC | Seat Cushion 2 PCS | Back Cushion 2 PCS |
| F  | G  | | | |
| Coffee Table 1 PC | Glass Top 1 PC | | | |

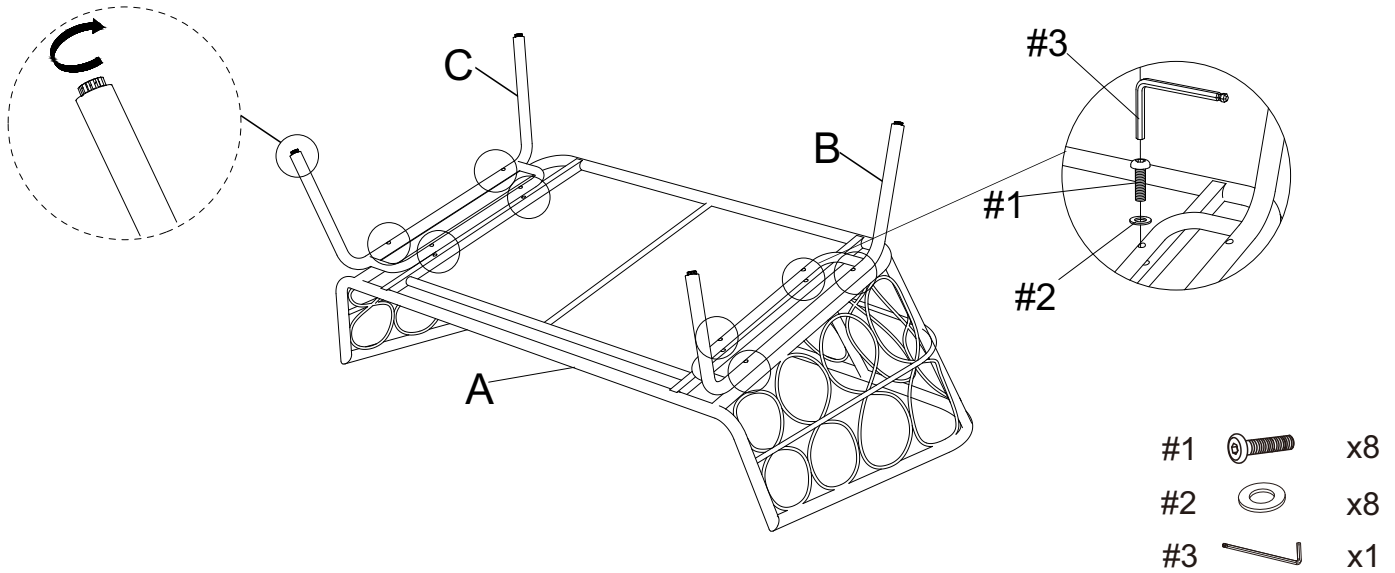
HARDWARE LIST

| | | |
|--|--|--|
| #1  | #2  | #3  |
| M6*40mm Bolt 8 PCS (Extra 1) | M6mm Flat Washer 8 PCS (Extra 1) | M6mm Allen Wrench 1 PC |

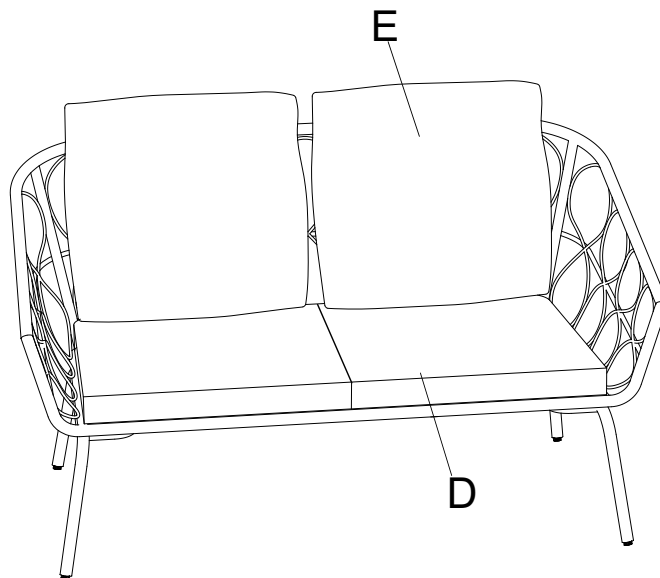
Step 1. Lay seat panel (part A) upside down on a soft flat surface, such as carpet, as shown below. Attach left leg (part B) and right leg (part C) to seat panel (part A) using bolts (part #1), flat washers (part #2) and allen wrench (part #3).

NOTE: Please fully tighten all bolts at this time.

It is important to adjust levelers once fully assembled and upright. Extend adjustable leveler until it's firmly in contact with the floor. If relocating, adjust leveler as needed until it's firmly in contact with the floor in new location.



Step 2. Carefully turn unit upright. Place seat cushions (part D) and back cushions (part E) as shown below.



Step 3. Place glass top (part G) on the coffee table (part F).

NOTE: It is important to adjust levelers once fully assembled and upright. Extend adjustable leveler until it's firmly in contact with the floor. If relocating, adjust leveler as needed until it's firmly in contact with the floor in new location.

