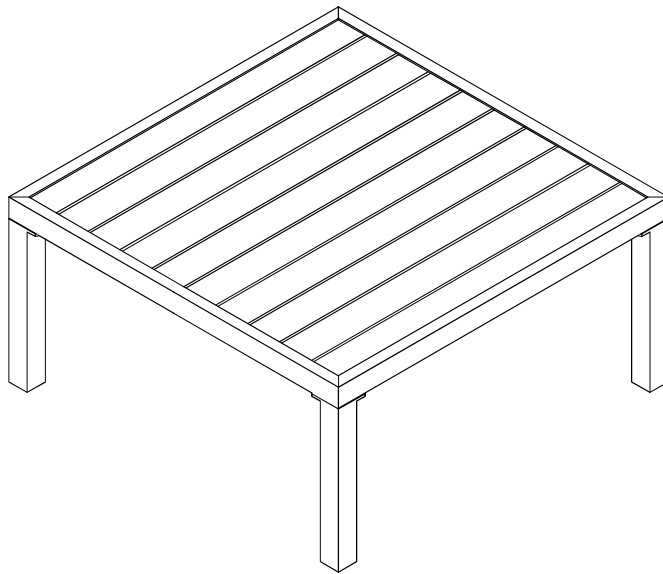
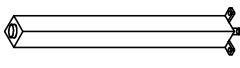
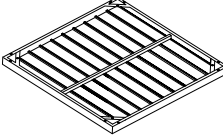


CROSLEY
FURNITURE

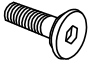


Outdoor Coffee Table
CO6321



PART LIST

| | |
|--|---|
| <p>A</p>  | <p>B</p>  |
| <p>Leg 4 PCS</p> | <p>Top Panel 1 PC</p> |

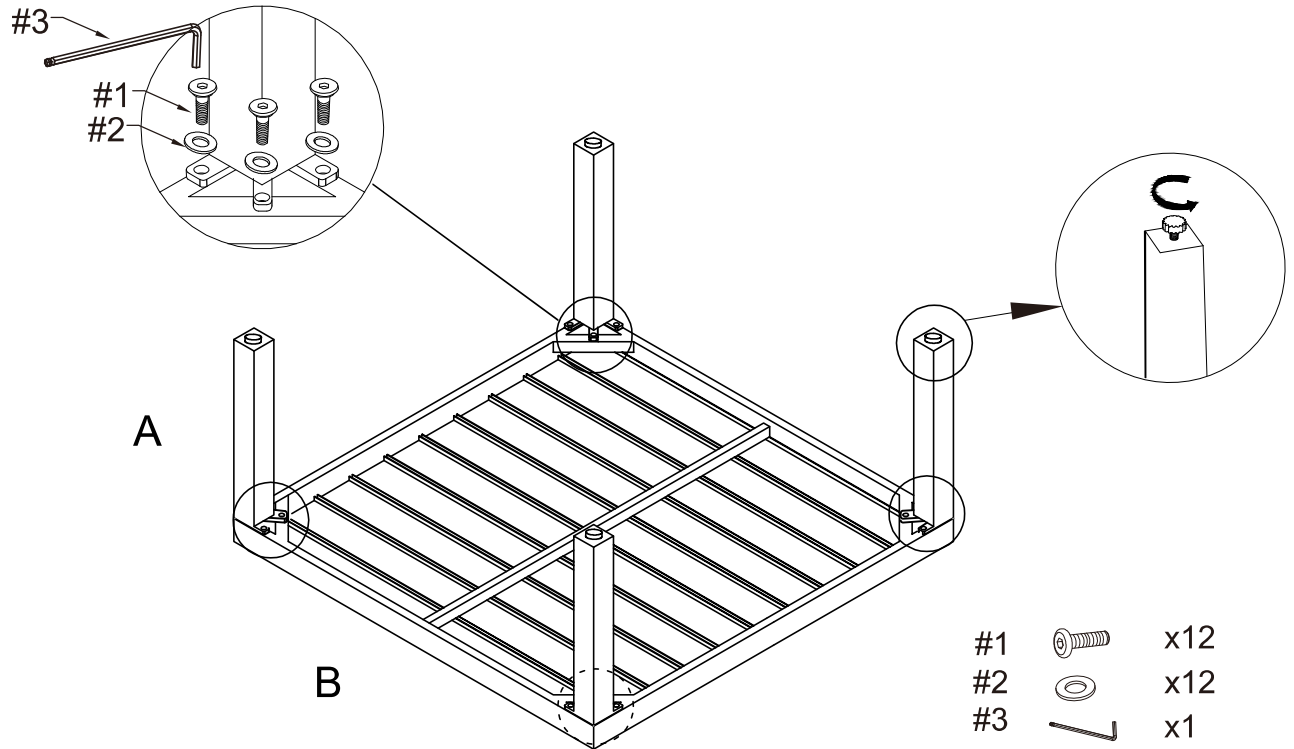
HARDWARE LIST

| | | |
|---|--|--|
| <p>#1</p>  <p>M6*12mm</p> | <p>#2</p>  <p>M6mm</p> | <p>#3</p>  |
| <p>Bolt 12 PCS (Extra 1)</p> | <p>Flat Washer 12 PCS (Extra 1)</p> | <p>Allen Wrench 1 PC</p> |

Step 1. Lay top panel (part B) upside down on a soft flat surface, such as carpet, as shown below. Attach legs (part A) to top panel (part B) using bolts (part #1), flat washers (part #2) and allen wrench (part #3).

NOTE: Please fully tighten all bolts at this time.

NOTE: It is important to adjust levelers once fully assembled and upright. Extend adjustable leveler until it's firmly in contact with the floor. If relocating, adjust leveler as needed until it's firmly in contact with the floor in new location.



Step 2. Carefully turn unit upright.

