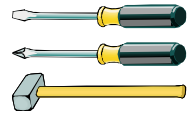
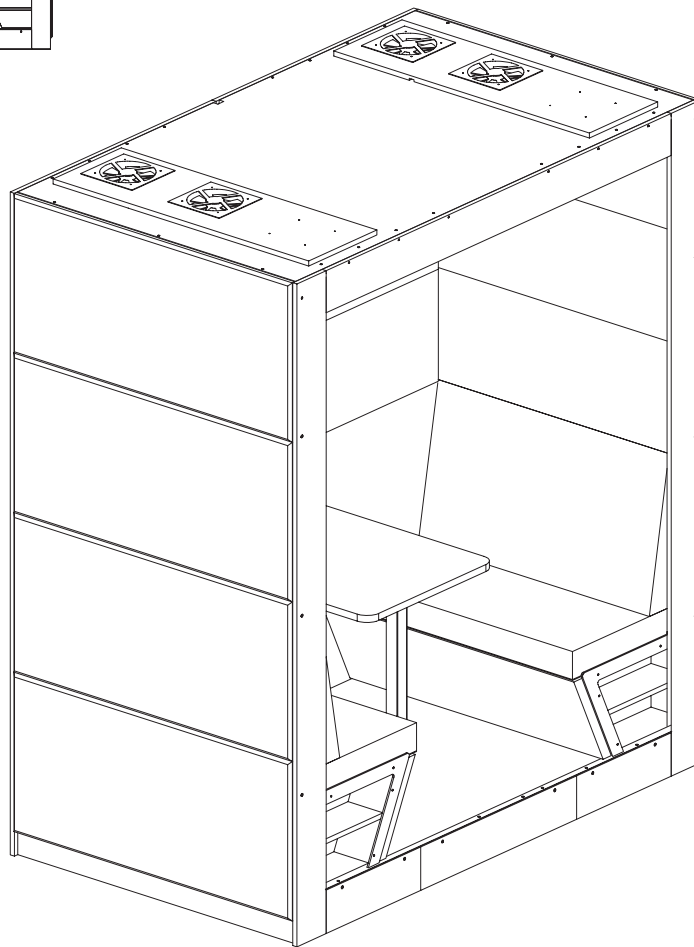
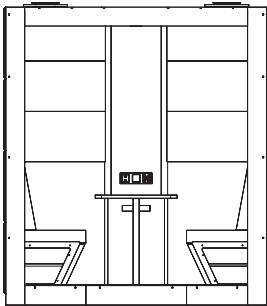


# KB4SIOP

## View "W"



“W”

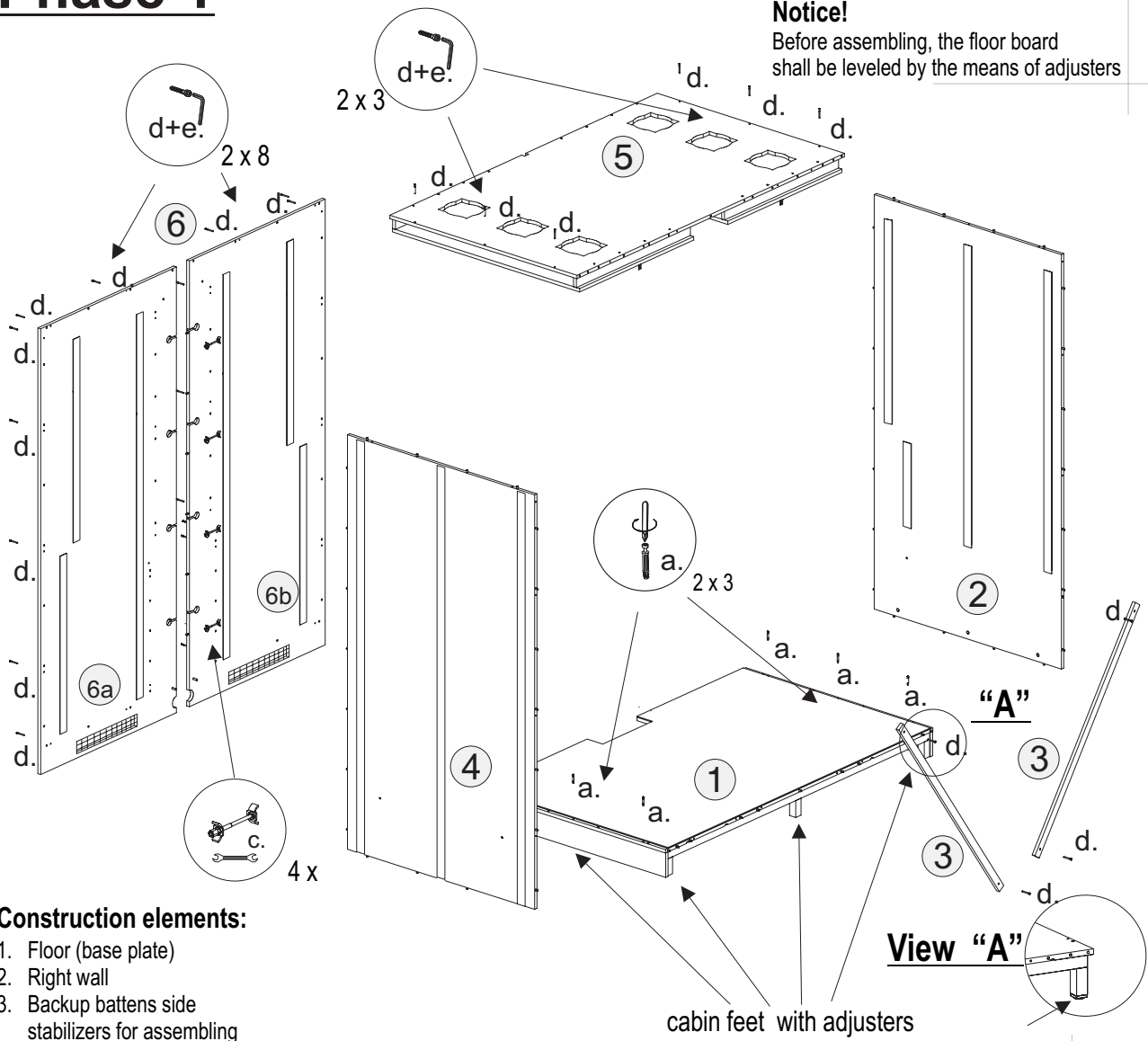


a.	b.	c.	d.	(d + e + f)	
∅6	L 79		5/50	L/4	f.
6x	4x	4x	62x	1x	58x
g.	(h + i)		(j + i)		s.
UW 4x20	L25x25x17	US 3x16	25x3	∅ 60	st.
4x	2x	13x	1x	1x	1x
					Control unit

# Phase 1

## Notice!

Before assembling, the floor board shall be leveled by the means of adjusters



### Construction elements:

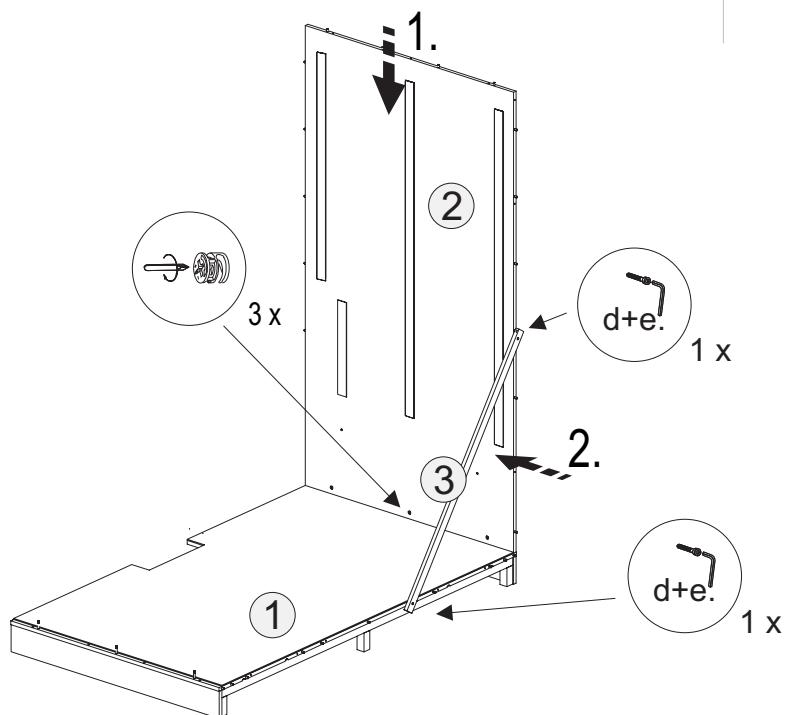
1. Floor (base plate)
2. Right wall
3. Backup battens side stabilizers for assembling the ceiling & rear wall
4. Left wall
5. Main ceiling
6. Rear wal
- 6a. Rear wal - left side
- 6b. Rear wal - right side

## 1.1

### Right wall assembly

#### Notice!

The right wall shall be stabilised by the means of a backup batten with 2 furniture screws - "d".

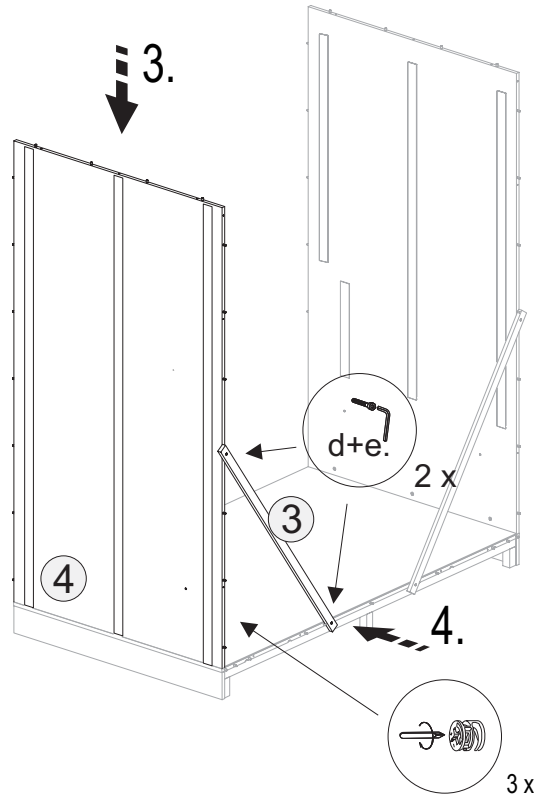


# 1.2

## Leftt wall assembly

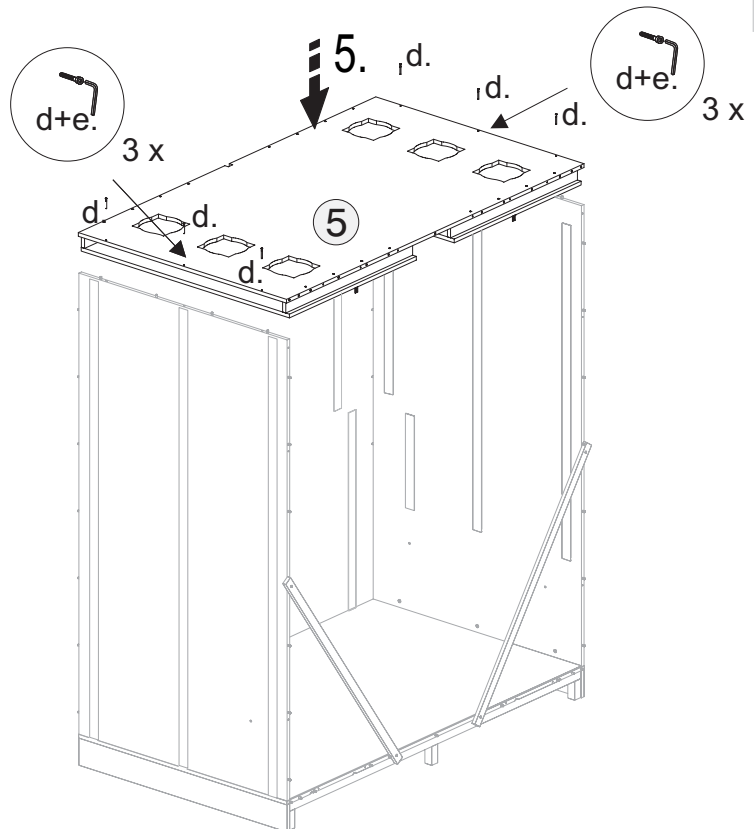
**Notice!**

The leftt wall shall be stabilised by the means of a backup batten with 2 furniture screws - "d".



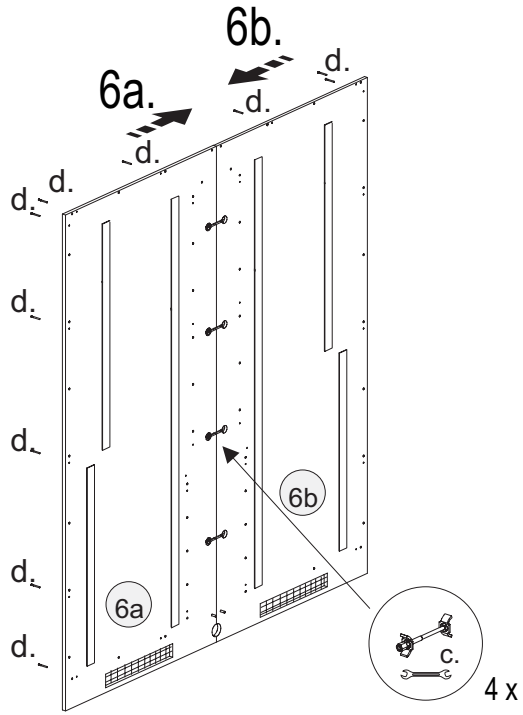
# 1.3

## The main ceiling assembly



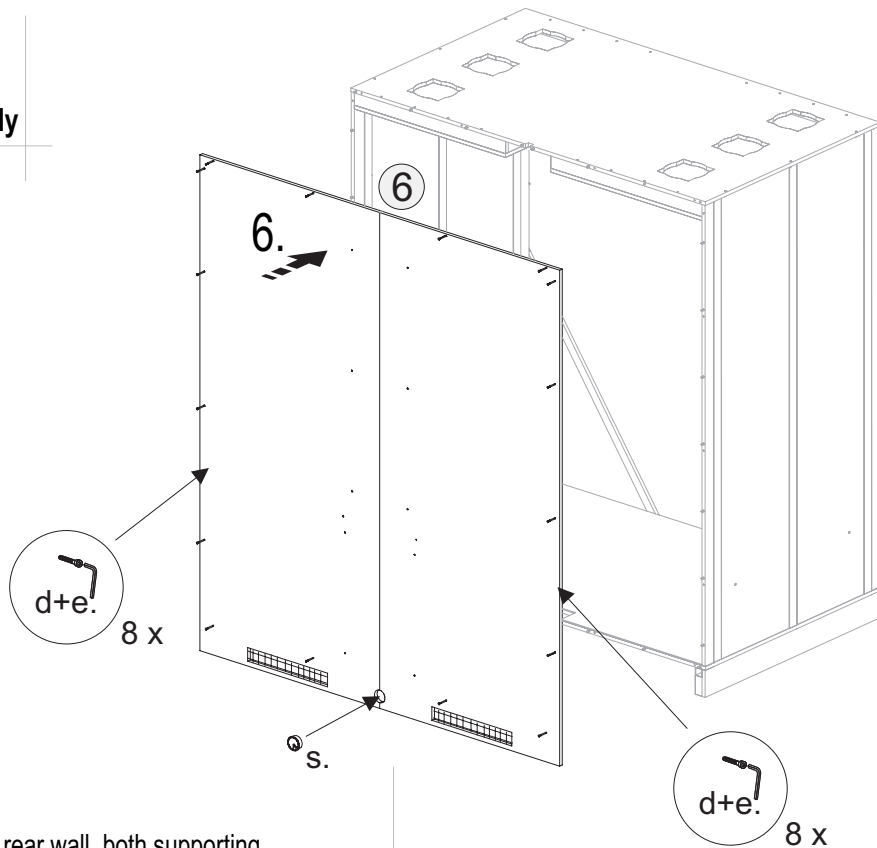
# 1.4

## Connection of rear walls



# 1.5

## Rear wall assembly



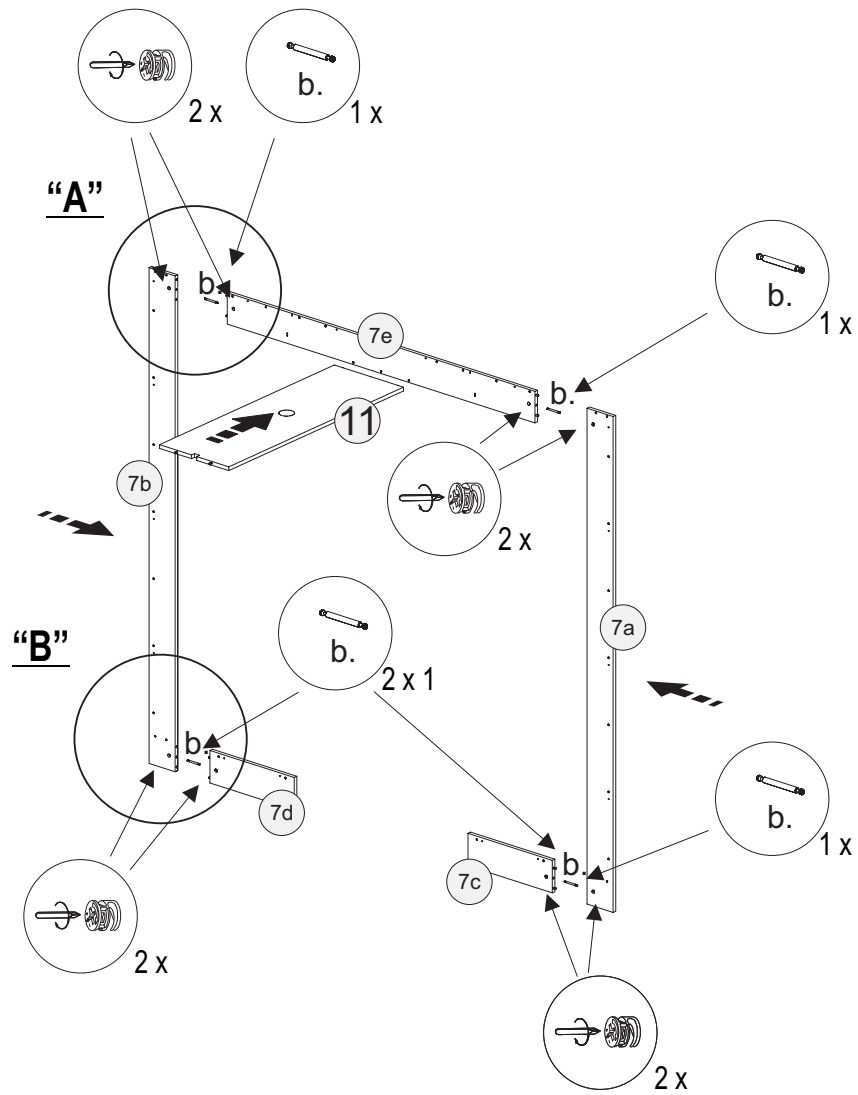
### **Notice!**

After assembling the rear wall, both supporting backup battens shall be removed (2 x 2 furniture screws - "d")

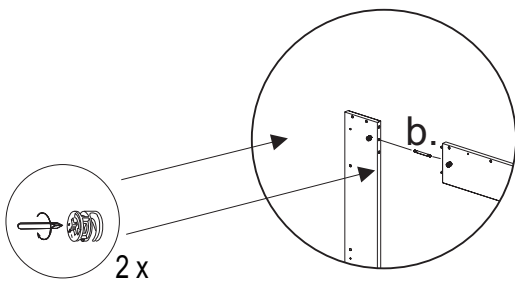


# 2.1

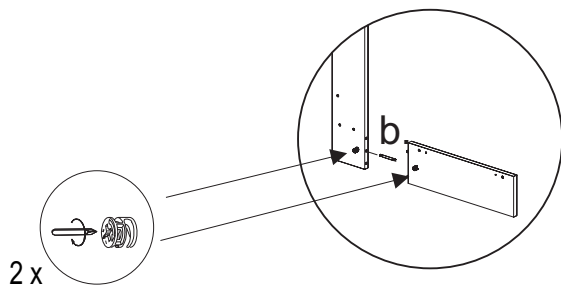
## Assembly of front frame elements



**View "A"**



**View "B"**

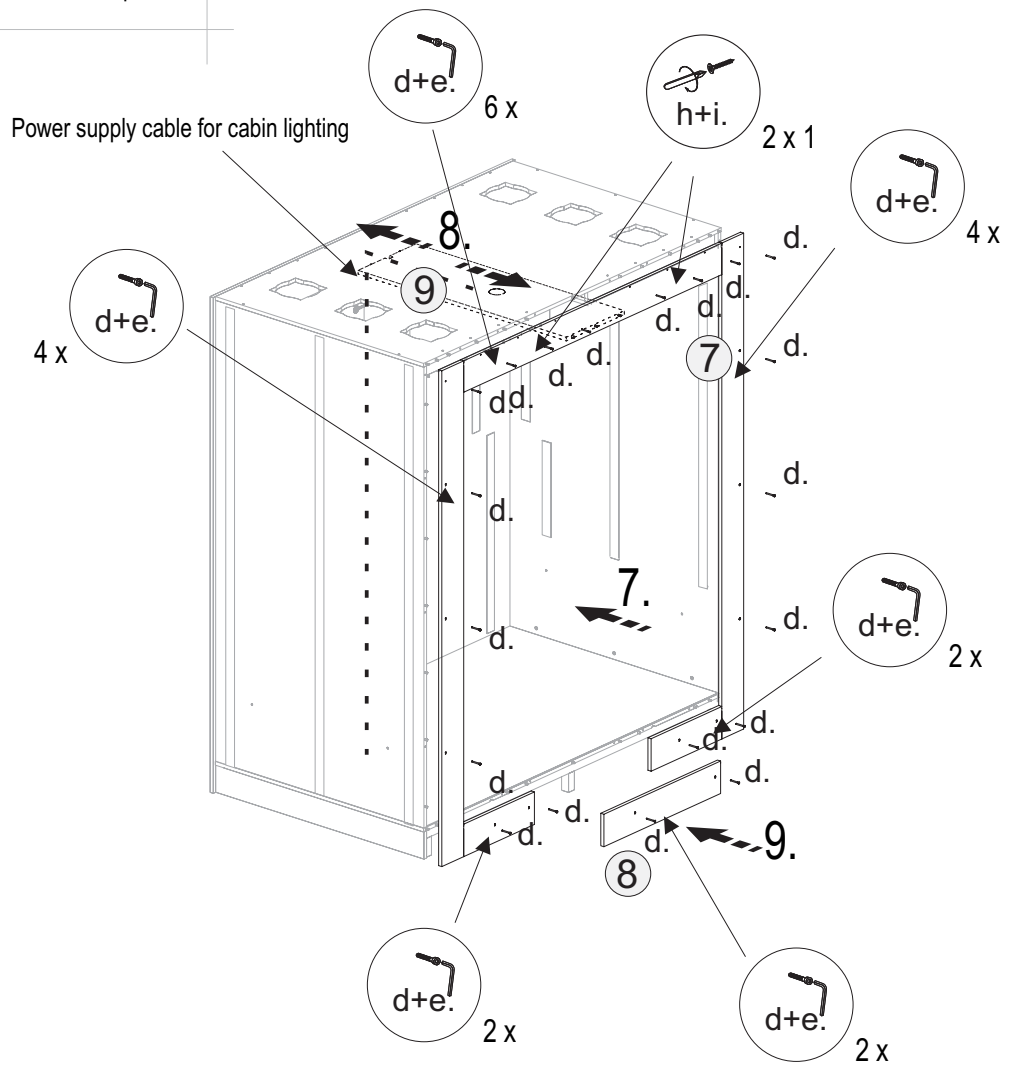


# 2.2

## Assembly of the front frame

During the front frame assembly the central suspended ceiling shall be fixed by the means of pegs between the rear wall and the upper batten of the frame and 2 furniture screws - "d" screwed from the outside of the rear wall.

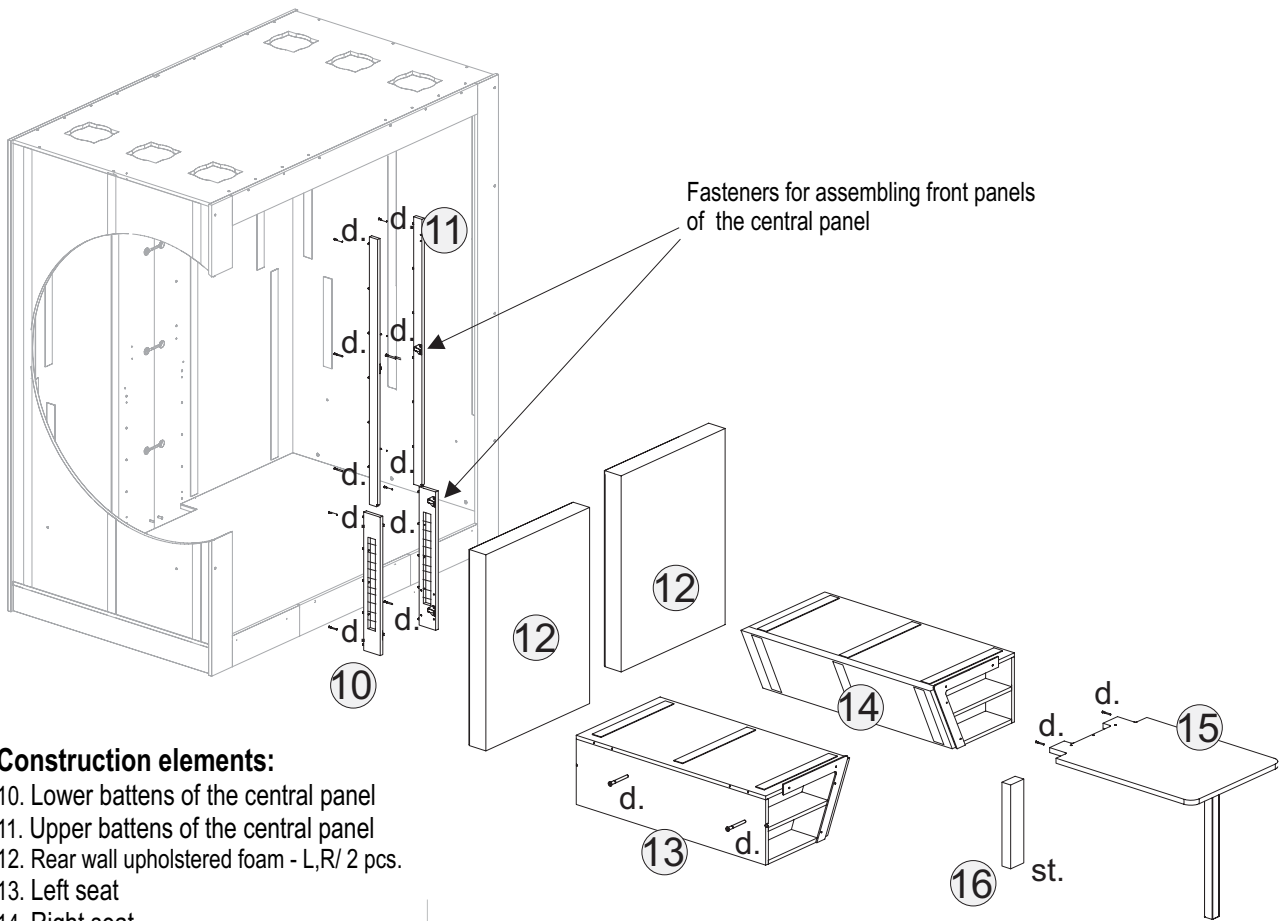
The upper slat of the front frame is fastened additionally to the profiles in the side suspended ceilings.



### Power supply cables:

Power supply cables for cabin lighting shall be inserted into a hole in the central suspended ceiling and then levelled to the floor!

# Phase 3



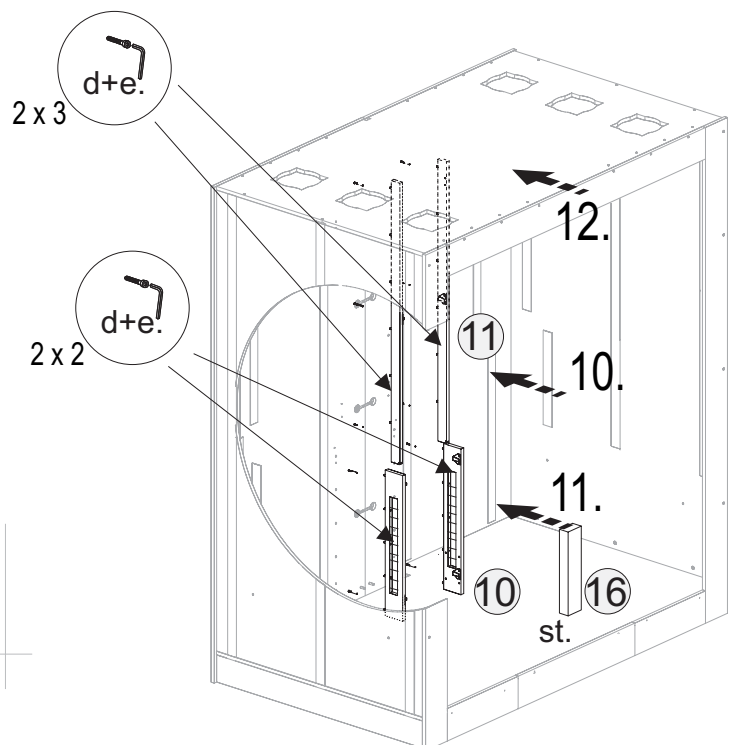
**Construction elements:**

- 10. Lower battens of the central panel
- 11. Upper battens of the central panel
- 12. Rear wall upholstered foam - L,R/ 2 pcs.
- 13. Left seat
- 14. Right seat
- 15. Table (table top + leg)
- 16. Control unit

## 3.1

### Assembly of the central panel battens

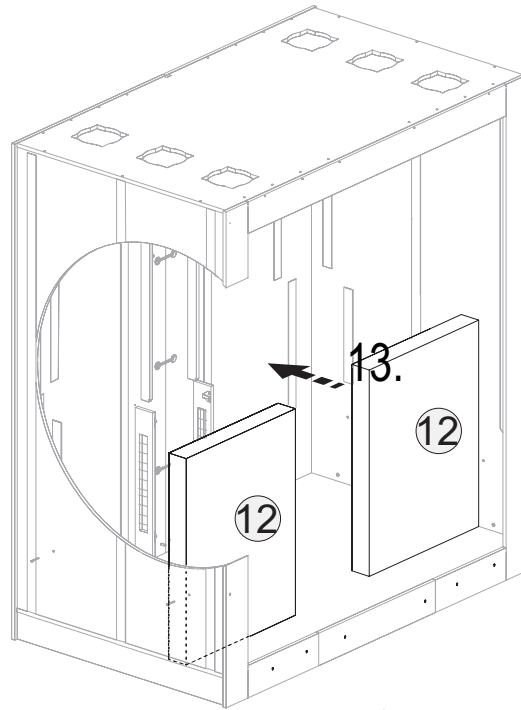
Lower and upper battens of the central panel are fixed to the rear wall by the means of furniture screws - "d" ( from the outside of the rear wall). Control module shall be fixed between the lower battens of the central panel to the rear wall using fasteners.





## 3.2

### Assembly of the rear lower upholstered foams



The rear lower upholstered foams are fixed by the means of fasteners.

## 3.3

### Assembly of the seats and table

#### Notice!

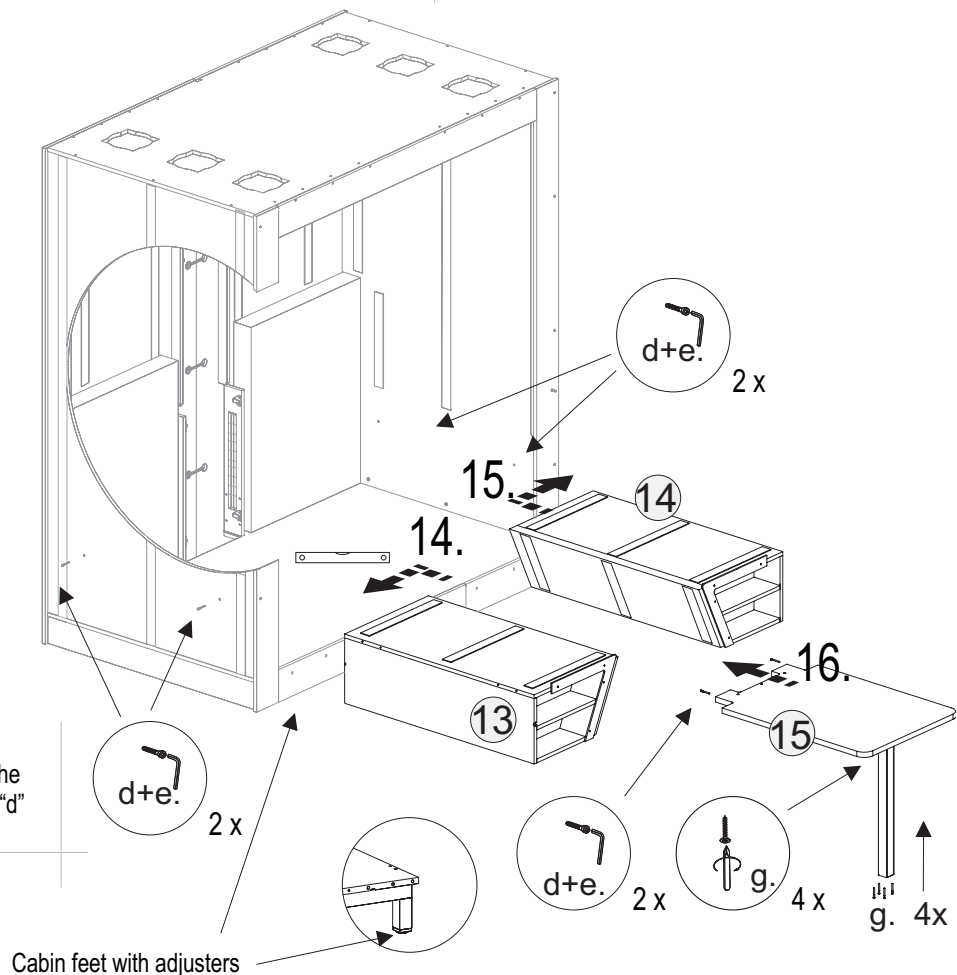
The cabin shall be located in its destination and levelled with the adjusters!

#### Seats:

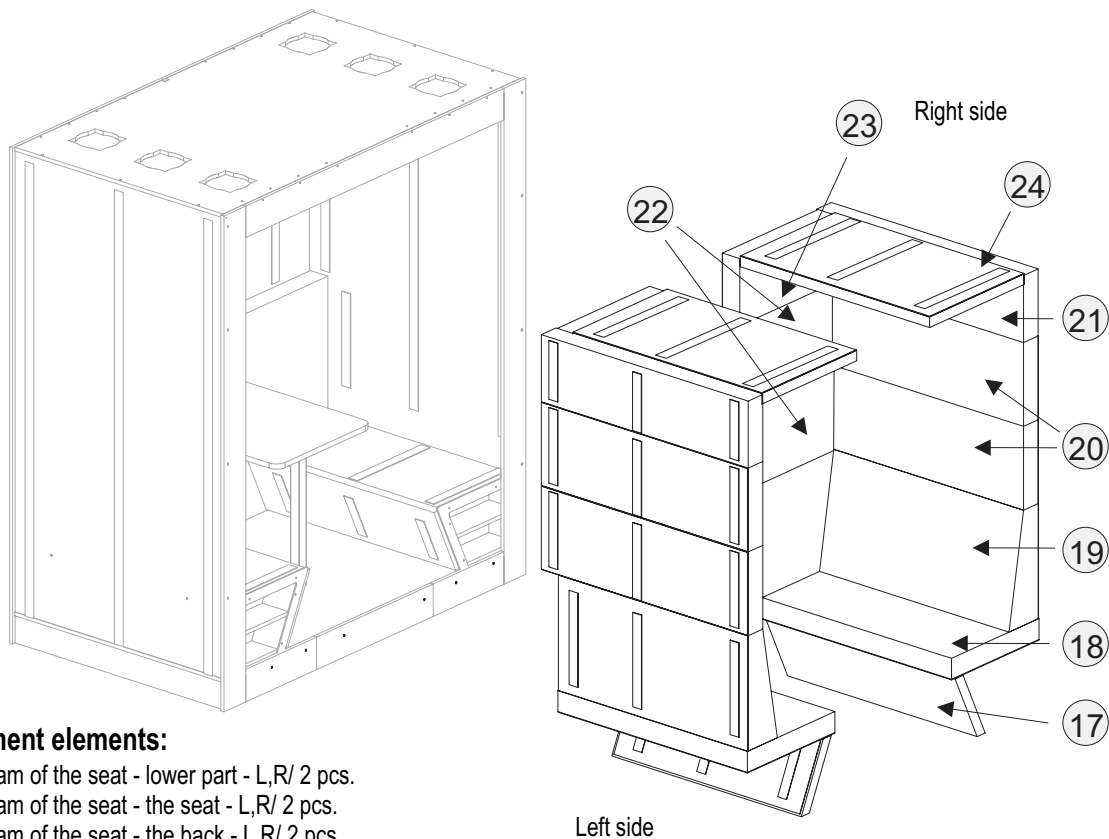
Both seats - the right and the left one shall be placed into the cabin and fixed to the side walls using 2 furniture screws - "d" (from the outside of the right and left wall).

#### Table:

Fix the leg to the table top with 4 UW 4x16 ("g") screws then place the whole into the cabin and fix to the rear wall using 2 furniture screws - "d" (from the outside of the rear wall).



# Phase 4



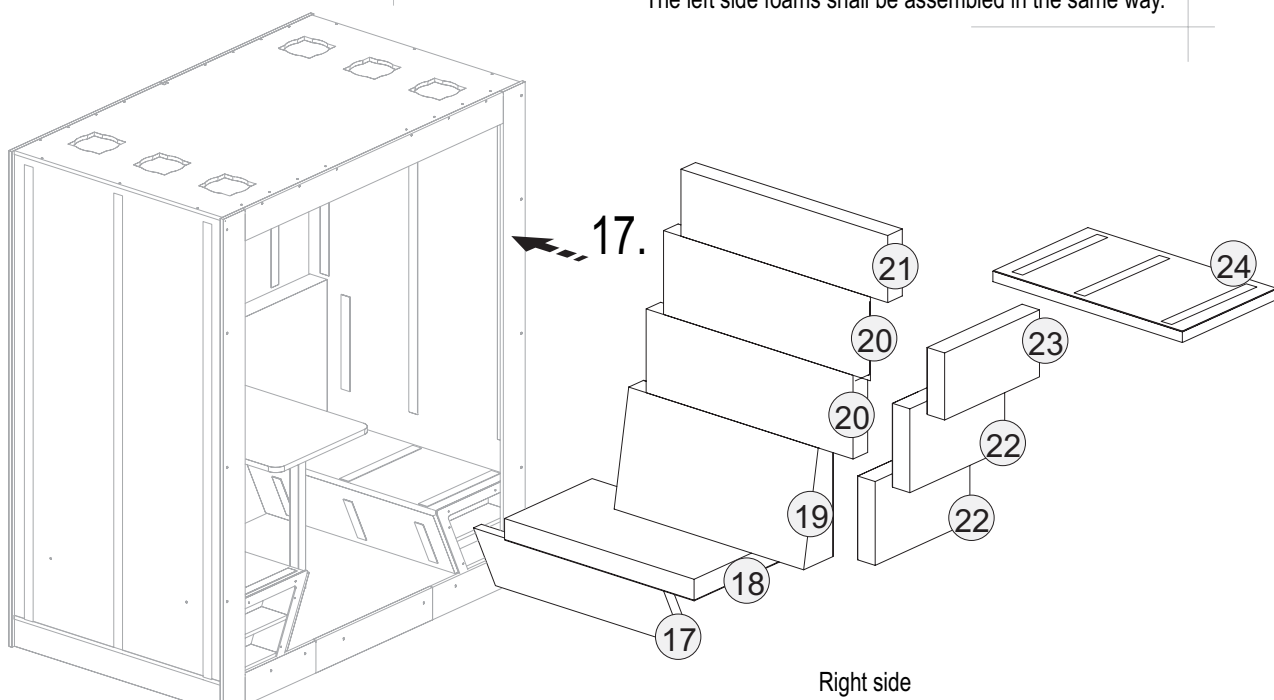
## Interior equipment elements:

- 17. Upholstered foam of the seat - lower part - L,R/ 2 pcs.
- 18. Upholstered foam of the seat - the seat - L,R/ 2 pcs.
- 19. Upholstered foam of the seat - the back - L,R/ 2 pcs.
- 20. Upholstered foam of a side wall - L,R/ 4 pcs. - middle
- 21. Upholstered foam of a side wall - L,R/ 2 pcs. - upper
- 22. Upholstered foam of the rear wall - L,R/ 4 pcs. - middle
- 23. Upholstered foam of the rear wall - L,R/ 4 pcs. - upper
- 24. Upholstered foam of a suspended ceiling - L,R/ 2 pcs.

## 4.1

### Assembly of upholstered foams

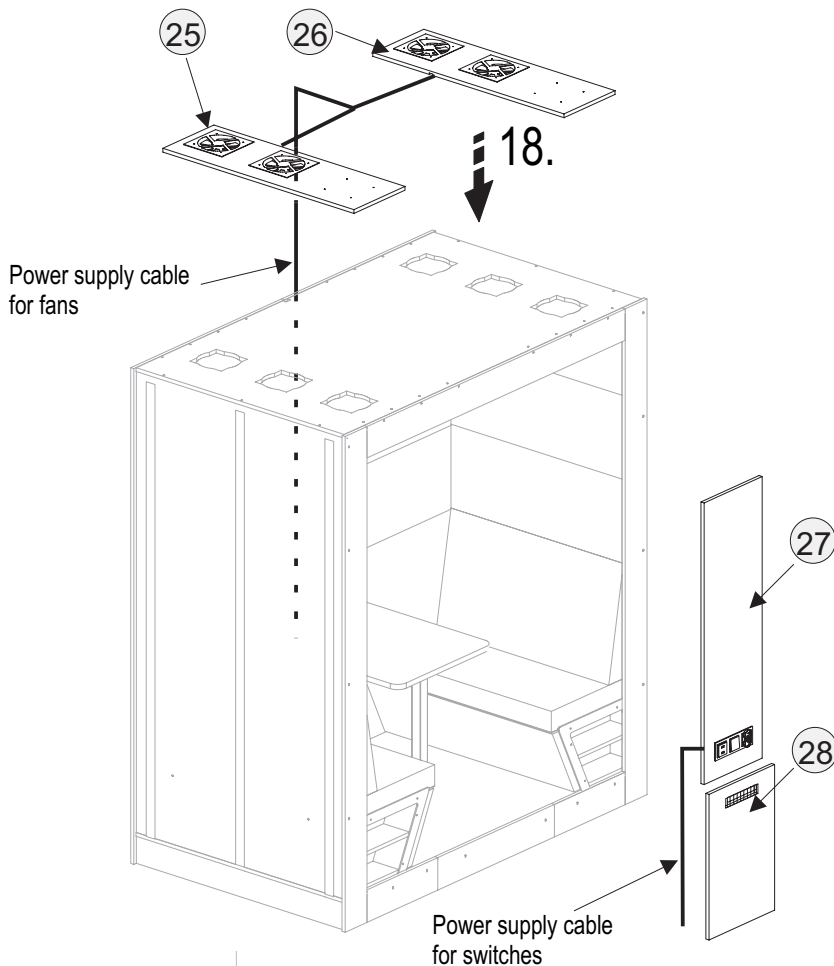
All upholstered foams are assembled with the use of fasteners according to their numbers. The left side foams shall be assembled in the same way.



# Phase 5

## Interior equipment elements, fans sets:

- 25. Fans set - left
- 26. Fans set - right
- 27. The upper board of the central panel
- 28. The lower board of the central panel



## 5.1

### Assembly of fans set

The fans set shall be placed on the holes in the ceiling

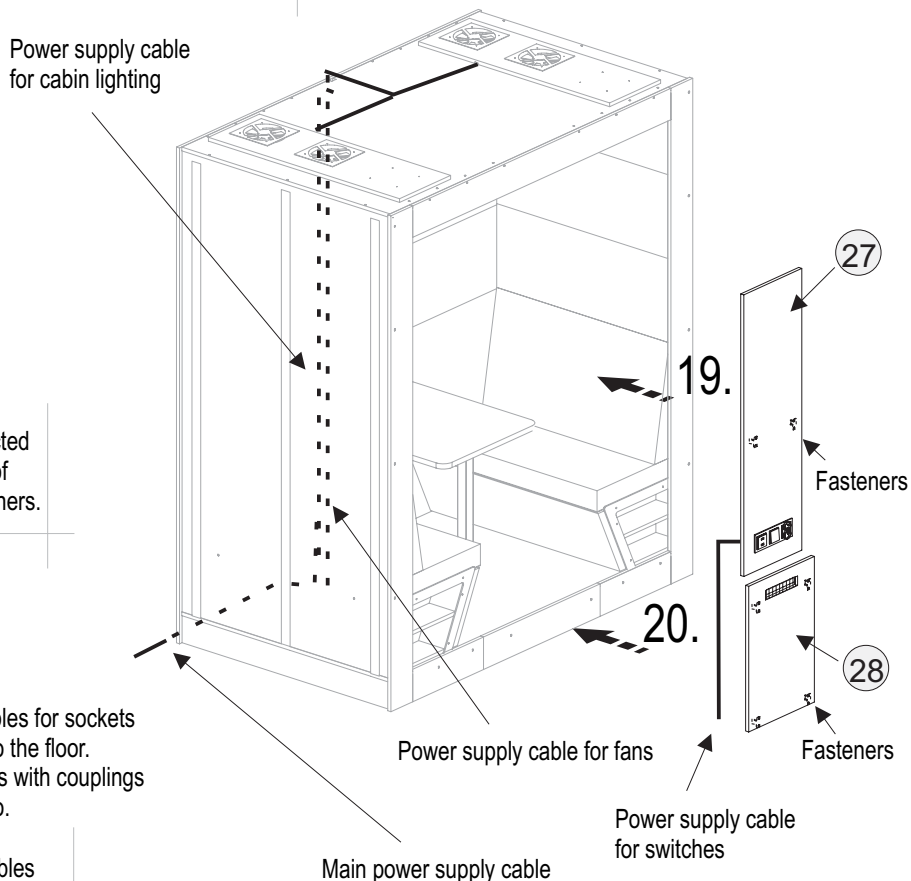
### Power supply cables:

Power supply cables for fans shall be inserted by a hole in the ceiling and the central suspended ceiling and levelled to the floor!

## 5.2

### Central panel assembly

The power supply cables shall be connected and then the upper and the lower board of the central panel shall be fixed with fasteners.



### Power supply cables :

Power supply cables for sockets shall be levelled to the floor. Connect all cables with couplings - look at the photo.



Power supply cables  
Control unit

# Phase 6

## External elements:

- 29. External painted foams - 2 x 4 pcs.
- 30. Threshold slat

## 6.1

### Assembly of external painted foams

All external painted foams are assembled by the means of fasteners.  
Assemble according to numbering.

## 6.2

### Assembly of the threshold slat

Fasten the threshold slat to the floor with 4 US 3x16 screws - "i".

