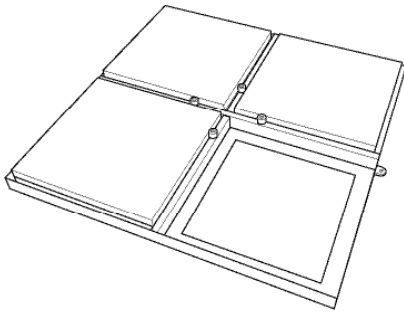




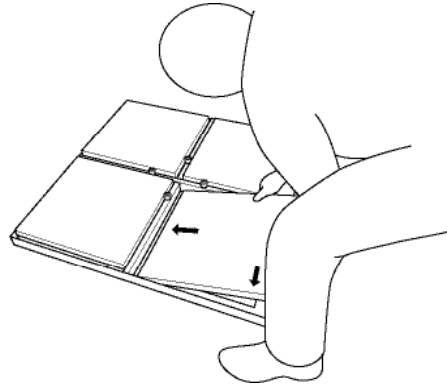
# BarlowTyrie

## Cantilever Freestanding Base 4PBFC

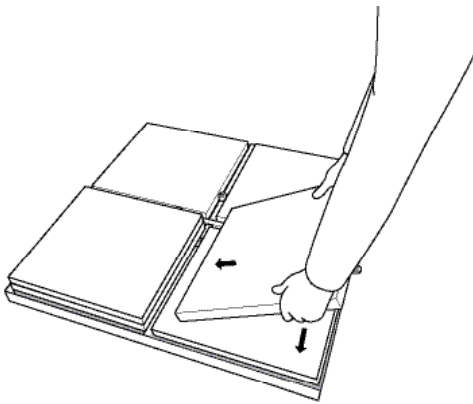
**1** 12 Concrete slabs. Size: 45cm x 45cm x 35mm (Not Supplied)



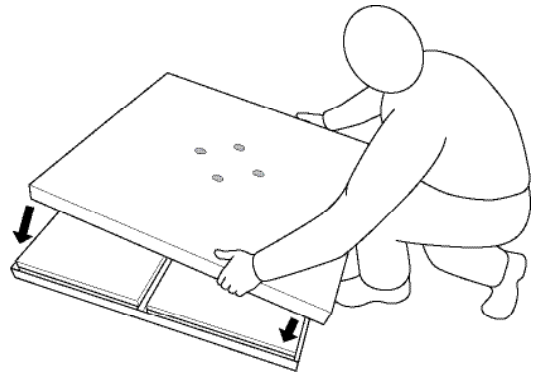
**2**



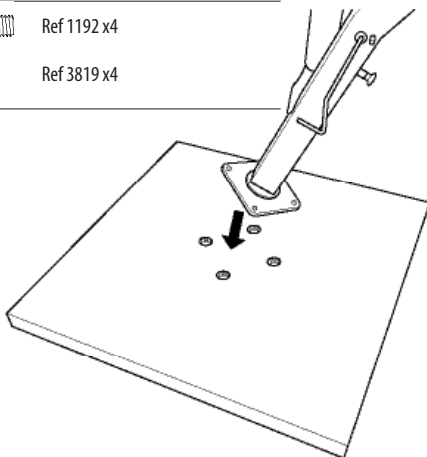
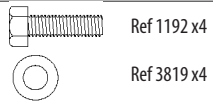
**3**



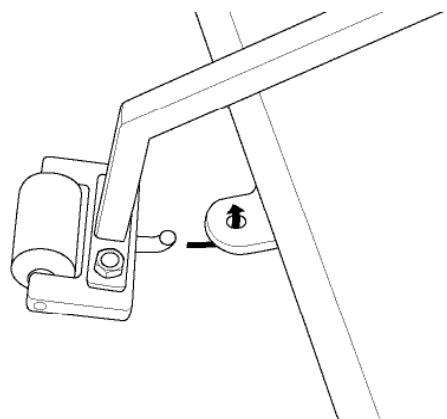
**4**



**5**



**6**

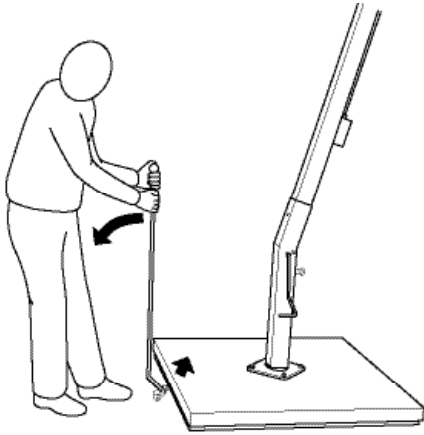




**BarlowTyrie**

**Cantilever  
4PBFC**

7



8

