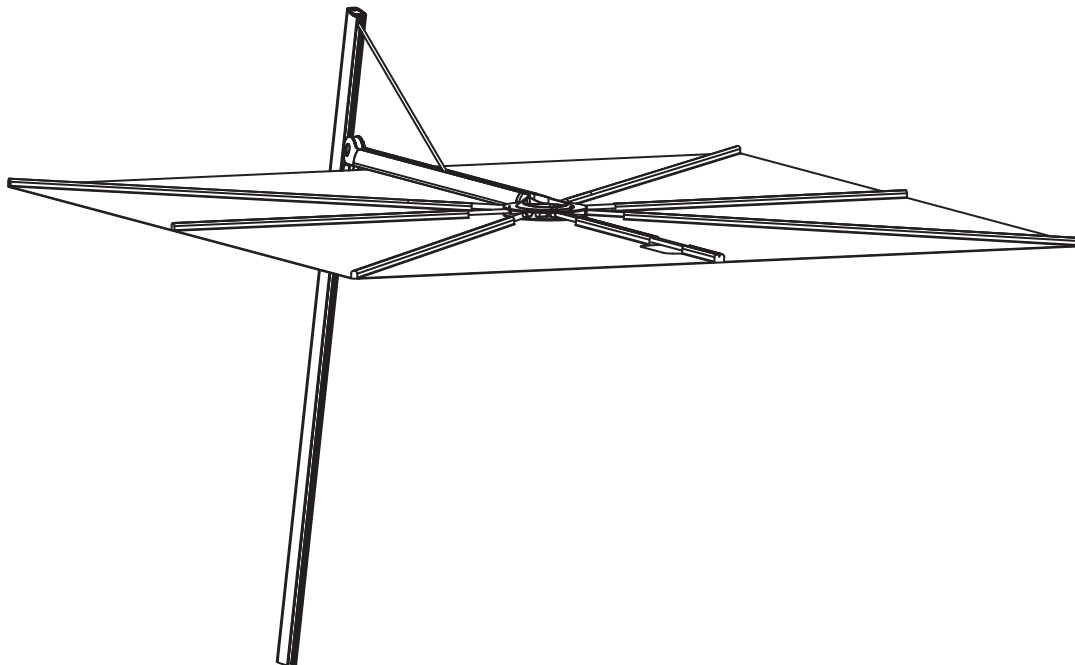


UMBROSA

UNIQUE SHADE DESIGN



SPECTRA

STRAIGHT / FORWARD / DIAMOND / OPPOSITE / DUO / MULTI



UMBROSA.COM

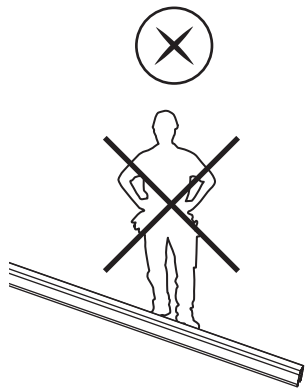
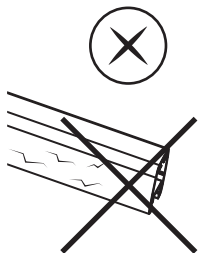
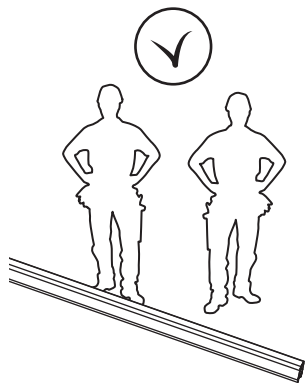
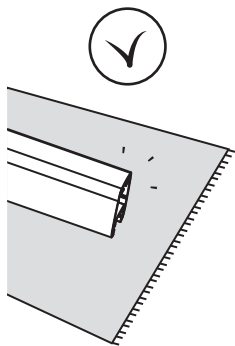
- ENG** Congratulations with your purchase! Please completely read and follow all the instructions.
- NL** Proficiat met uw aankoop! Gelieve alle instructies te lezen en op te volgen.
- FR** Félicitations avec votre achat. Lisez svp les instructions complètes.
- DE** Herzlichen Glückwunsch zu Ihrem Kauf! Bitte vollständig lesen und befolgen Sie alle Anweisungen.
- ES** Felicidades con su compra! Por favor lea y siga todas las instrucciones.
- IT** Congratulazioni con il Vs. acquisto! Vi preghiamo di leggere bene le istruzioni e di seguirne scrupolosamente le indicazioni.

IMPORTANT:

Please read this entire manual before installing or operating your umbrella, to reduce risk of personal injury in which a person is injured or harmed, and/or damage to personal property. Prior to assembly it is important to decide on the location of the umbrella and to respect the following instructions:

- Choose a location that is level and sturdy.
- Avoid any sloping or soft ground.
- Consider a location that will maximize the umbrella's 360° rotating function (if available)
- Two-person team is recommended for assembly

BEFORE YOU START



SAFETY STATEMENTS & WARNINGS



- Product is suitable for light wind and/or light rain only.
- Position product in direction of wind as recommended in user manual.
- Do not use product in inclement weather, such as strong wind, thunderstorms, heavy rain or snow, and make sure that the umbrella is closed and stored in advance.
- Never allow the umbrella to flap in the wind. This could cause personal injury, damage to personal property, damage to umbrella and/or umbrella canopy.
- Close product and secure strap when not in use.
- Do not use product without its base or unless attached to building structure, and keep umbrella secured to umbrella base or mount at all times.
- Do not use product over or near harsh chemicals or open flames.
- Place product on stable and level surface.
- Do not allow children to assemble or operate product.
- Do not leave product unattended.
- Store product indoors during winter and extreme weather conditions.
- When adjusting or assembling the umbrella or umbrella base, make sure fingers, toes or any other parts of the body are clear from moving parts.
 - Failing to do so may result in serious injury.
- Only use Umbrosa replacement parts.
- Read owner's manual.
- Any modifications to the product or failure to follow recommended care will void the warranty.
- Wind damage is not covered under our limited warranty.

DISCLAIMER:

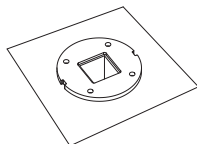
All mounting kits and supports for inground fitting and installation on hard surfaces should only be installed by a licensed contractor duly qualified to perform the installation. Umbrosa assumes no liabilities and expressly disclaims any responsibilities for injuries or damages arising from or related to the failure of buyer to have any kit or fitting installed by a licensed professional contractor.

INDEX

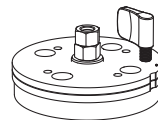
BASE AND MOUNTING OPTIONS



BASE
p7



CONCRETE ANCHOR
p15



GROUND MOUNTING
p20

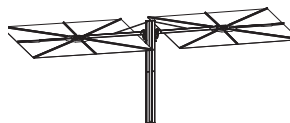


EXTENSION KIT
p34

SPECTRA OPTIONS



STRAIGHT/FORWARD/DIAMOND



OPPOSITE



DUO



MULTI



INSTALLATION

p22

p25

p28

p31



USER INSTRUCTIONS

p36

p36

p36

p36



TIPS AND MAINTENANCE

p40

p40

p40

p40



WARRANTY AND
SPARE PARTS

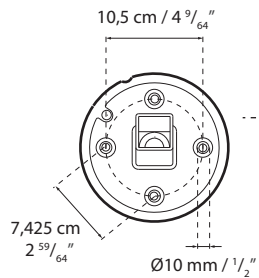
p43

p43

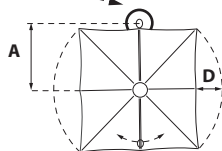
p43

p43

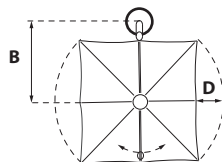
INSTALLATION DIMENSIONS



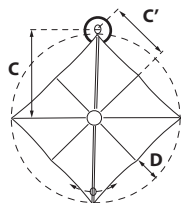
SPECTRA STRAIGHT



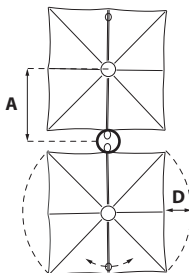
SPECTRA FORWARD



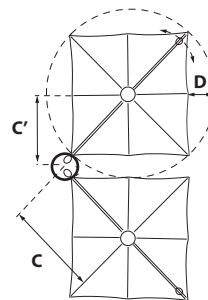
SPECTRA DIAMOND



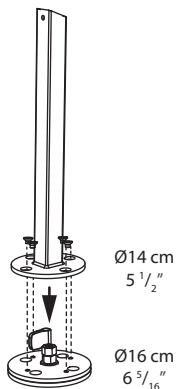
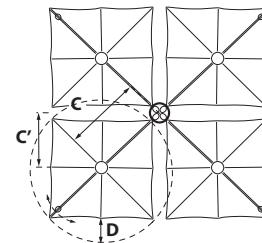
SPECTRA OPPOSITE



SPECTRA DUO

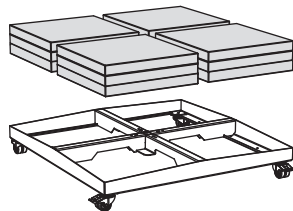


SPECTRA MULTI



	A	B	C	C'	D
SPECTRA 250	155 cm / 5'1"	190 cm / 6'3"	190 cm / 6'3"	140 cm / 4'7"	52 cm / 20 1/2"
SPECTRA 300	175 cm / 5'9"	210 cm / 6'10"	-	-	62 cm / 24 1/2"

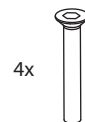
LARGE BASE



12 TILES
(MIN. WEIGHT 165 KG / 363 Lbs)



COVER LARGE
ALU-COVERN-L-TBASE

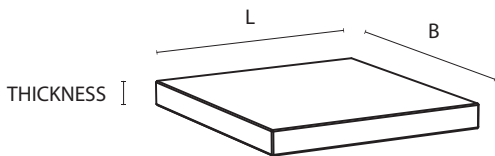


4x
**M10x100
MABOLG0031**

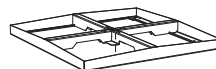


2x
**FRAME SPACER L
UMFRATBCR80_V1_HDG**

BASE TILE DIMENSIONS



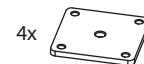
	MINIMUM	MAXIMUM
LxB	38 x 38 cm 15"x 15"	40 x 40 cm 16"x 16"
THICKNESS	38 mm 1 1/2"	45 mm 1 3/4"



FRAME L
UMFRATB_V1_HDG



4x
**WHEEL
MACOMU005D**



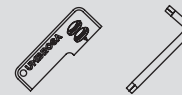
4x
**WHEEL PLATE
UMFIXG0020_V1**



16x
**M16
MABOLI0200**



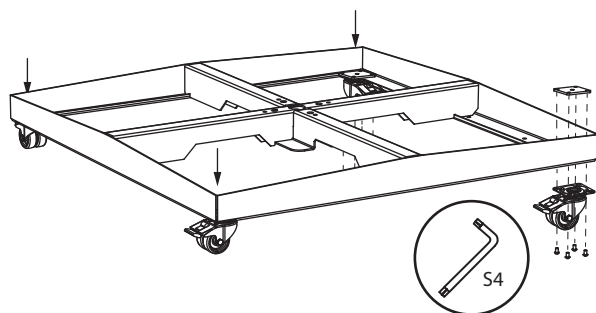
16x
**TILE SPACERS
MACOMU064_B**



1x TOOL
MACOMU65 1x
S4 + S6

BASE INSTALLATION

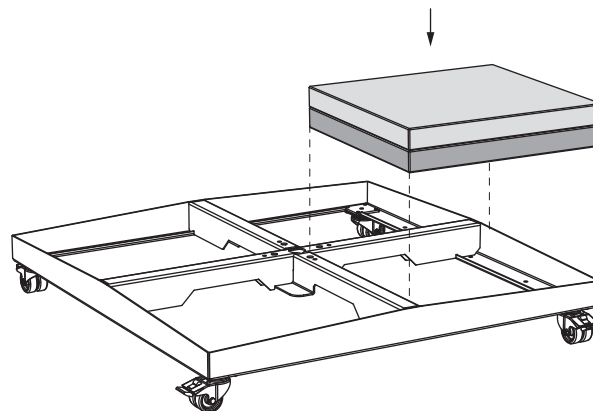
1



2

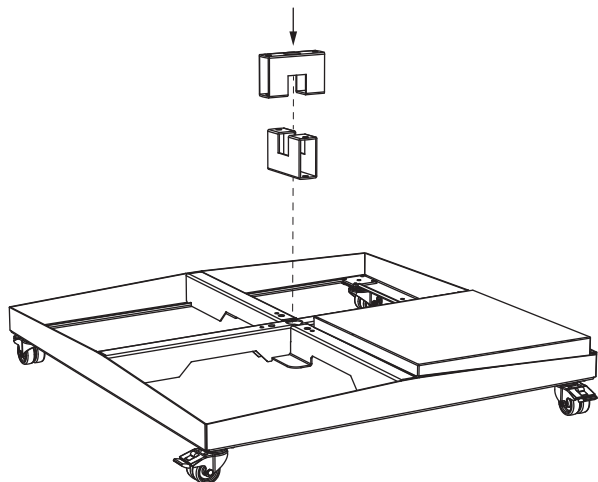
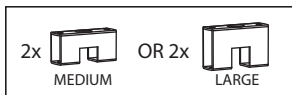


MEDIUM BASE: START WITH 1 LAYER
LARGE BASE: START WITH 2 LAYERS

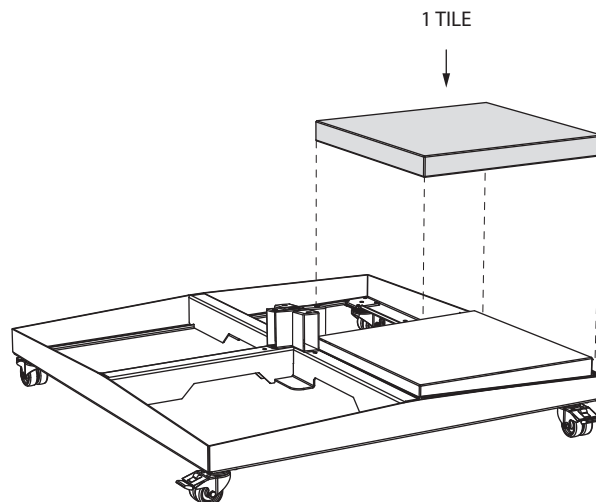


BASE INSTALLATION

3



4



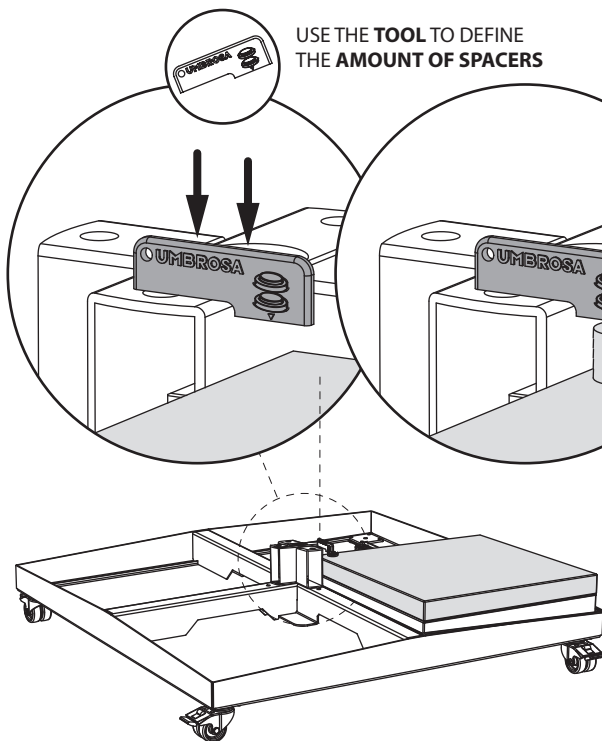
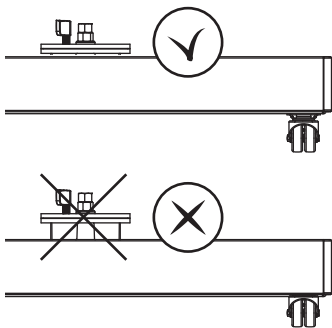
BASE INSTALLATION

5

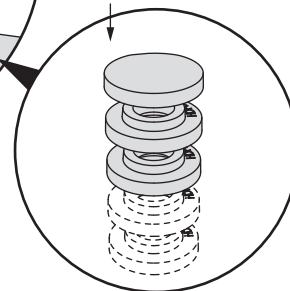
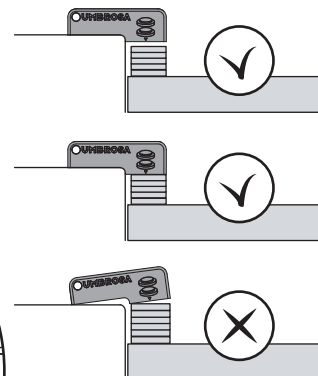
1x



ADD **SPACERS** FOR PERFECT COVER ALIGNMENT:



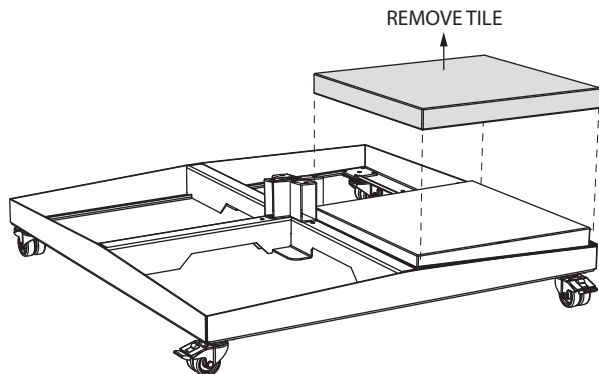
USE THE **TOOL** TO DEFINE THE **AMOUNT OF SPACERS**



BASE INSTALLATION

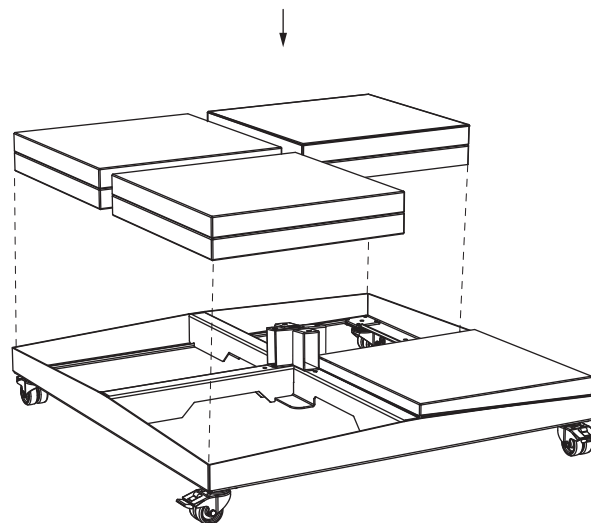


6



7

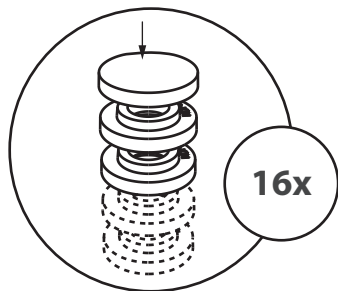
MEDIUM BASE: 1 LAYER
LARGE BASE: 2 LAYERS



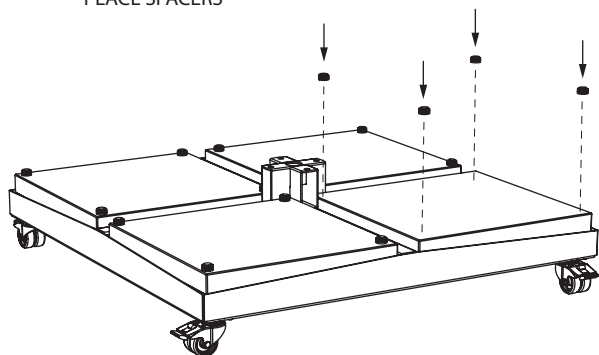
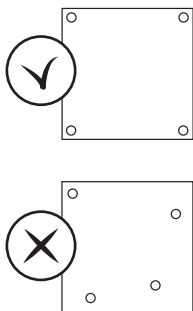
BASE INSTALLATION

8

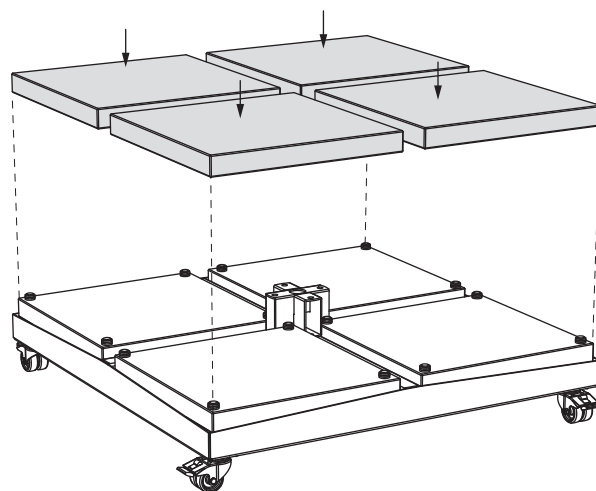
16x 



PLACE SPACERS

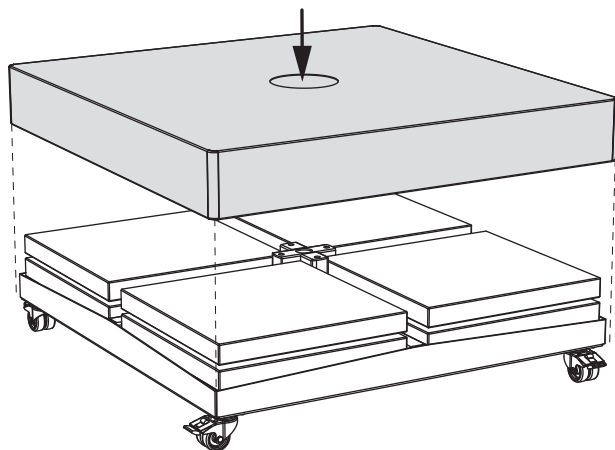
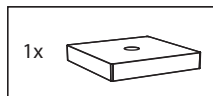


9

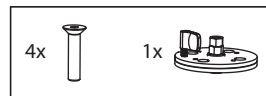


BASE INSTALLATION

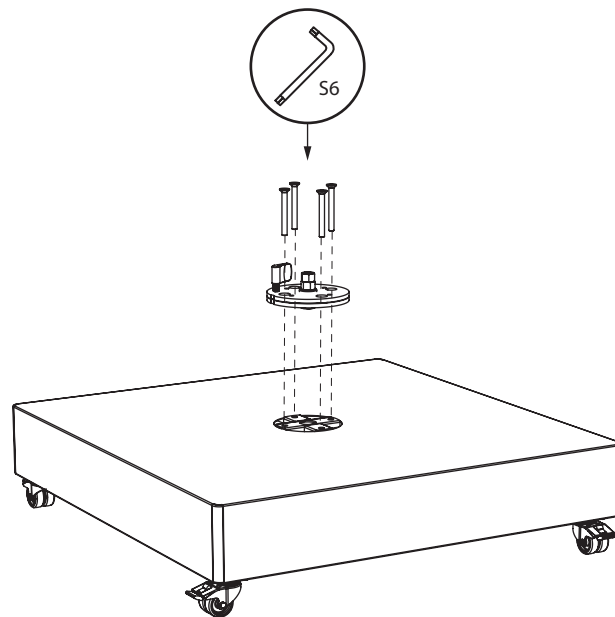
10



11

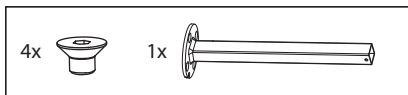


SEE UMBRELLA BOX



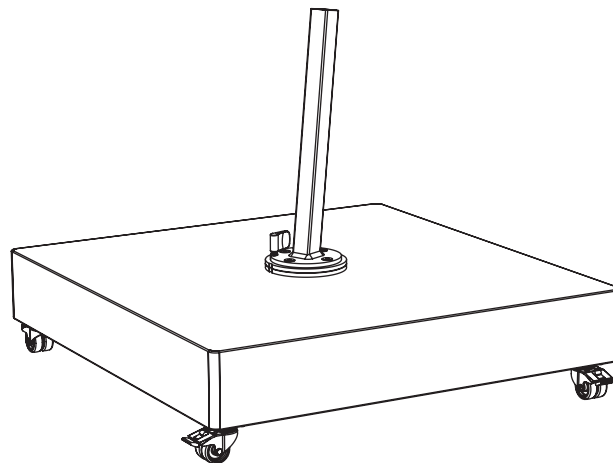
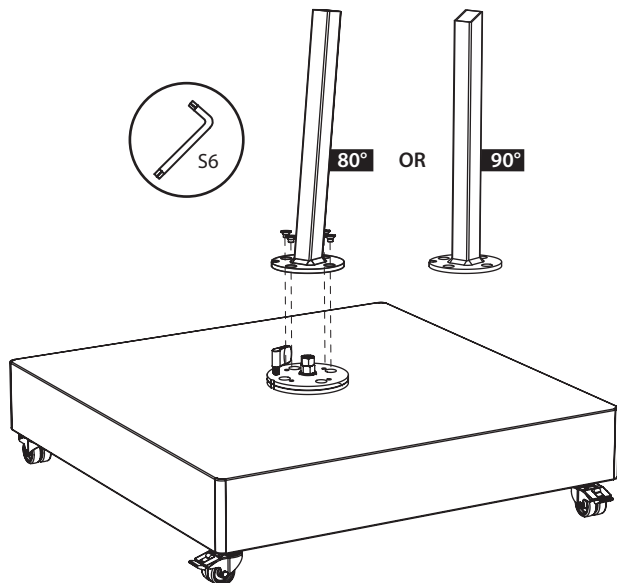
BASE INSTALLATION

12



SEE UMBRELLA BOX

13

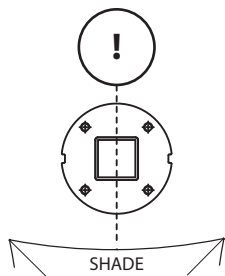
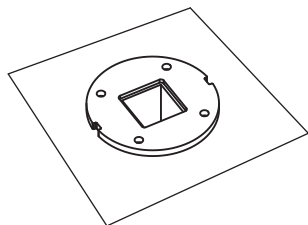


CONCRETE ANCHOR INSTALLATION

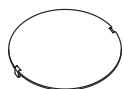
INGROUNDANCHORAGE-90



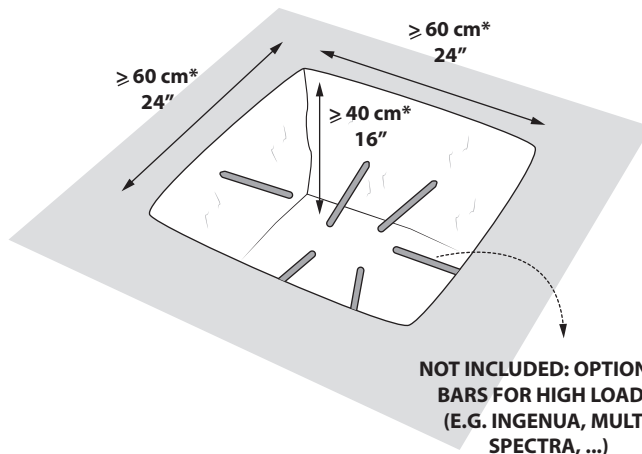
1



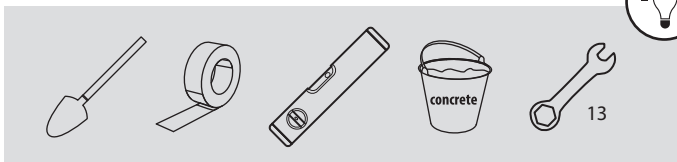
INGROUNDANCHOR
TYPE1



MAPLAICROT CAP20



NOT INCLUDED: OPTIONAL BARS FOR HIGH LOADS (E.G. INGENUA, MULTI SPECTRA, ...)



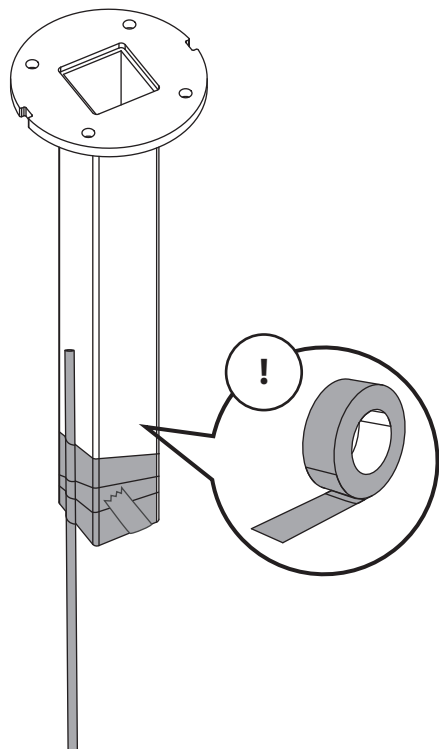
13

- ENG Dimensions are indicative. Final responsibility always lies with the installer.
- NL Maten zijn informatief. Eindverantwoordelijkheid ligt bij installateur.
- FR Les dimensions indiquées sont seulement à titre informatif. La responsabilité finale incombe à l'installateur.
- DE Die Maße sind nur informativ. Der Installateur trägt die Verantwortung für die Ausführung.
- ES Los tamaños son solamente informativos. El instalador es responsable del acabado final.
- IT Dimensioni sono indicative. La responsabilità finale spetta sempre all'installatore.

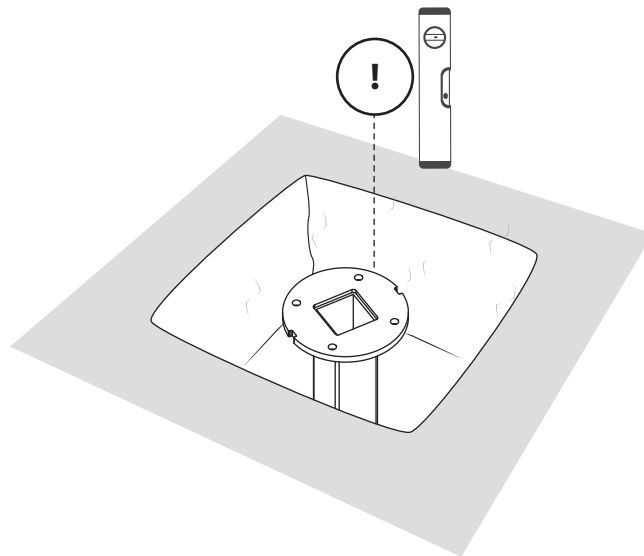
CONCRETE ANCHOR INSTALLATION



2



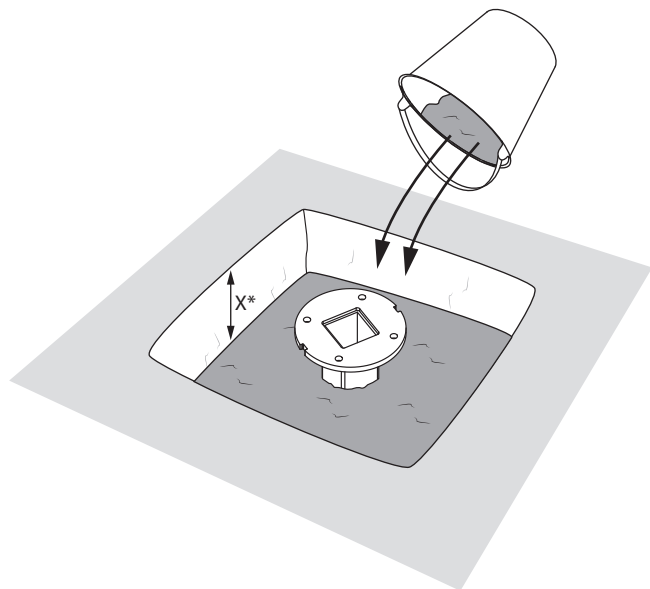
3



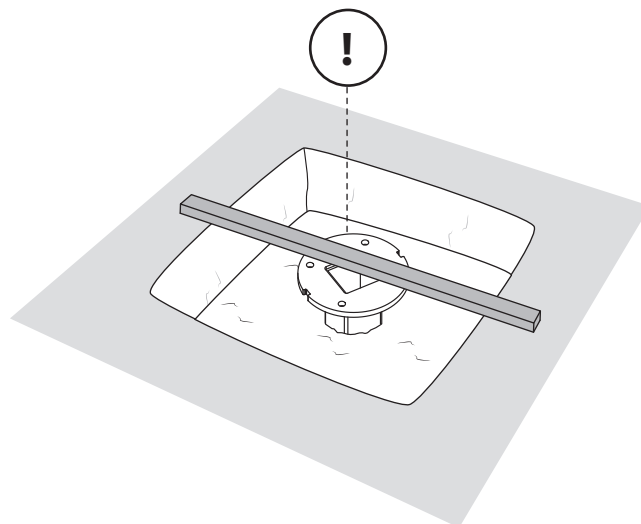
CONCRETE ANCHOR INSTALLATION



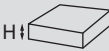



4



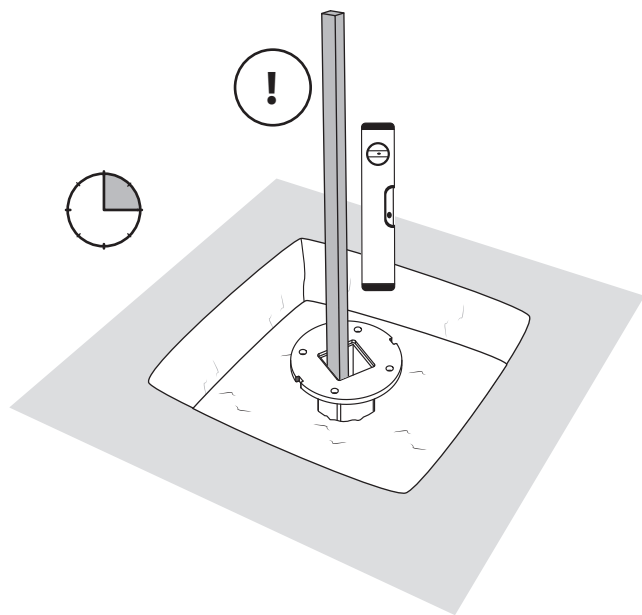
5



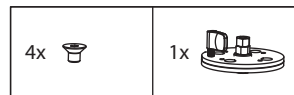
	 GRASS	 GRAVEL	 TILES
 X*	10 cm / 4"	4 cm / 1 1/2"	= H

CONCRETE ANCHOR INSTALLATION

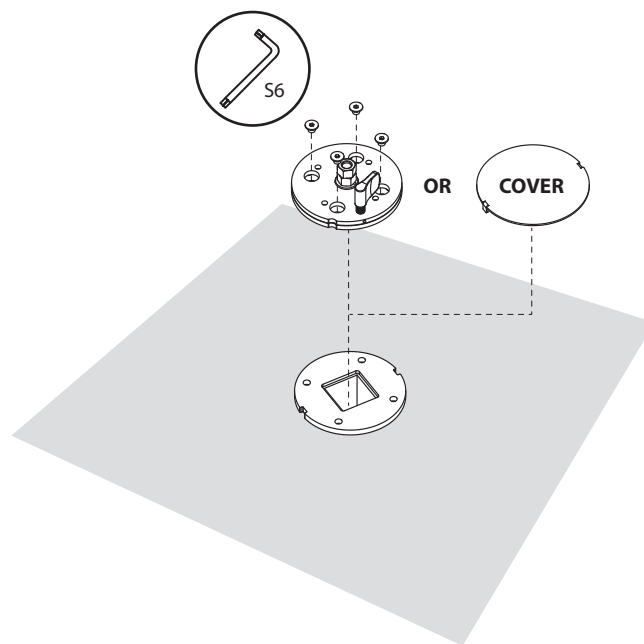
6



7



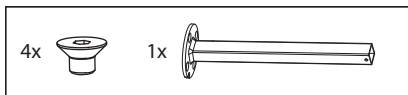
SEE UMBRELLA BOX



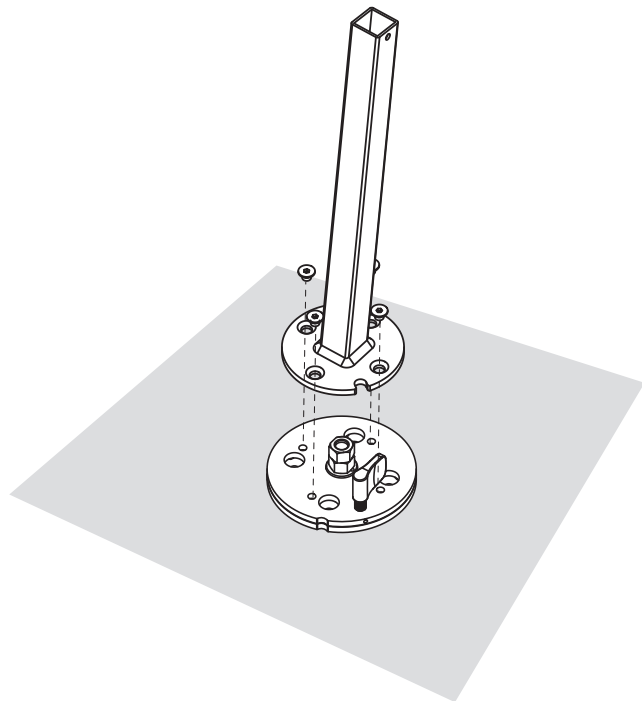
CONCRETE ANCHOR INSTALLATION



8

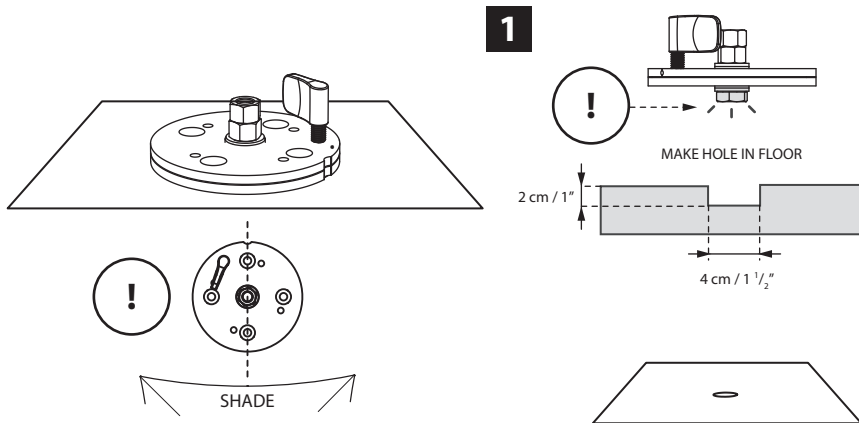


SEE UMBRELLA BOX

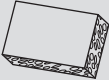


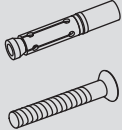
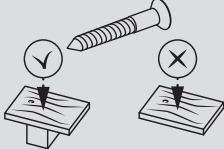
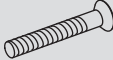


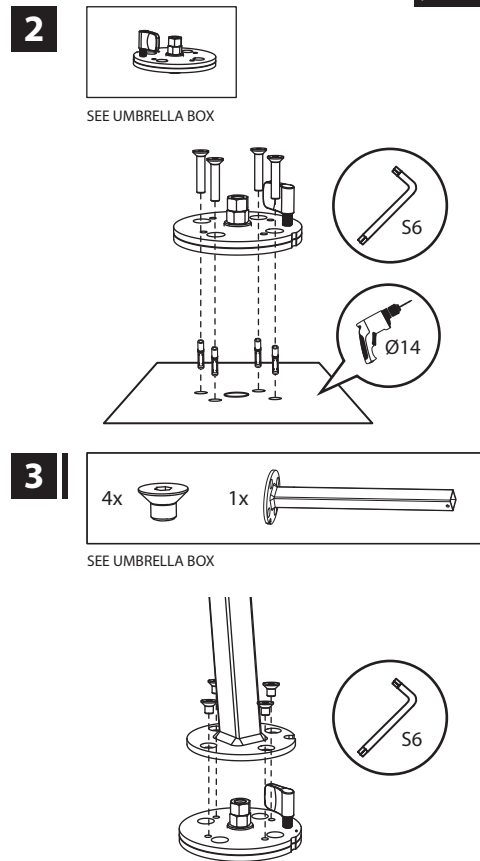
GROUND MOUNTING

A. STANDARD OPTION



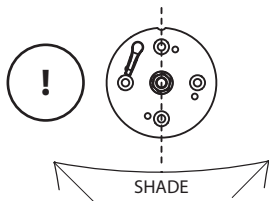
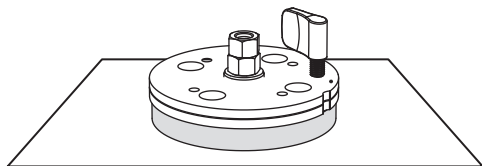
Not included - Niet inbegrepen - Pas inclus
 Nicht inbegriffen - No incluido - Non inclus

 <p>CONCRETE</p>	 <p>WOOD</p>	 <p>METAL</p>
		
<p>example: DIN 7991 M10</p>	<p>example: DIN 7997 Ø8 mm</p>	<p>example: DIN 7991 M10</p>



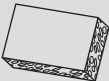


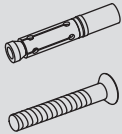
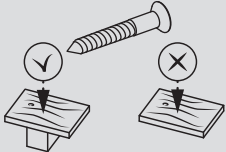
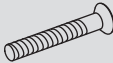
GROUND MOUNTING

B. OPTIONAL: WITH SPACER PLATE



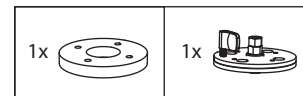
MACOM001

Not included - Niet inbegrepen - Pas inclus
 Nicht inbegriffen - No incluido - Non incluso

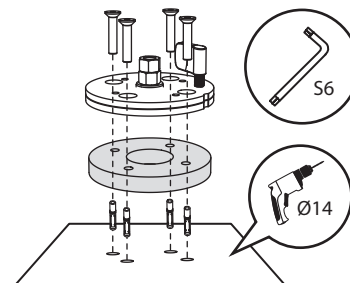
 CONCRETE	 WOOD	 METAL
		
example: DIN 7991 M10	example: DIN 7997 Ø8 mm	example: DIN 7991 M10



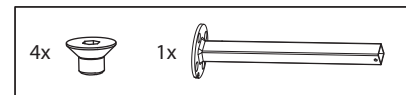
1



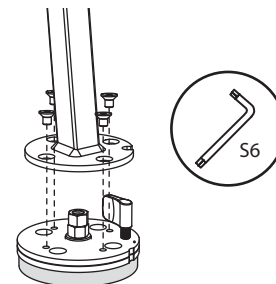
SEE UMBRELLA BOX



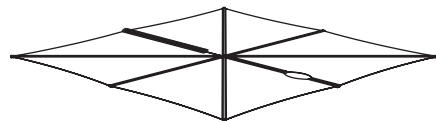
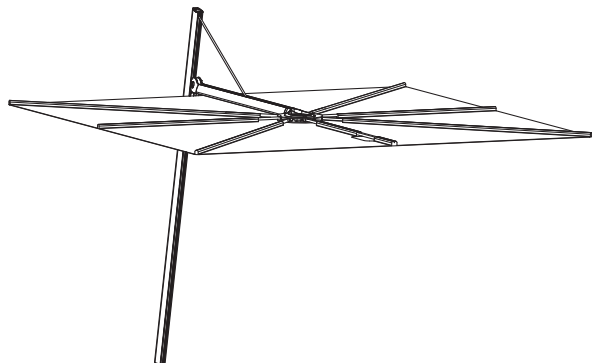
2



SEE UMBRELLA BOX



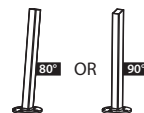
SPECTRA FORWARD/STRAIGHT/DIAMOND INSTALLATION



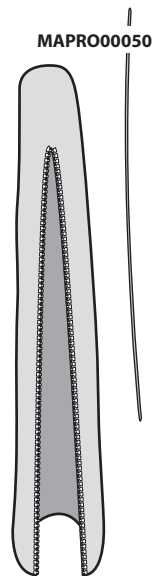
SP250COVERN-**** / SP300COVERN-****



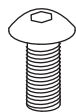
UM-ROTATIONDISC160



80°: UMFIXS140G80
90°: UMFIXS140G88



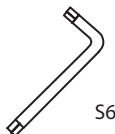
SPPROTECTION-ZB



MABOLI0471
4x



MAKEY00050



MAKEY00060



STRAPUNIVERSAL

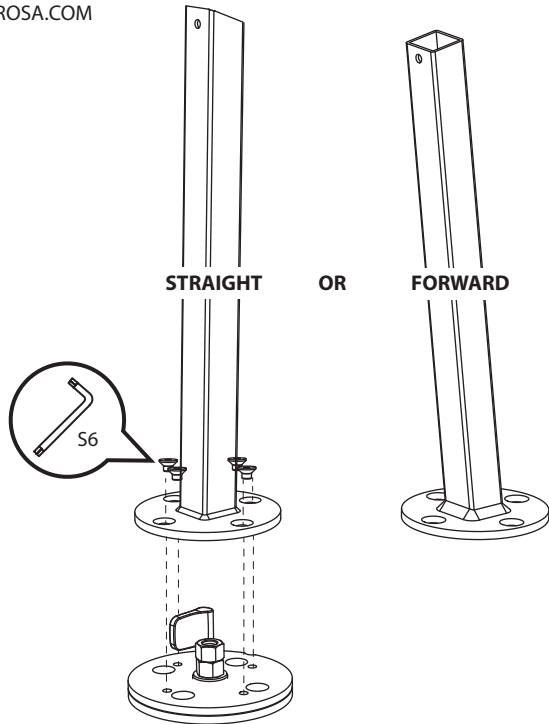
SPECTRA FORWARD/STRAIGHT/DIAMOND INSTALLATION



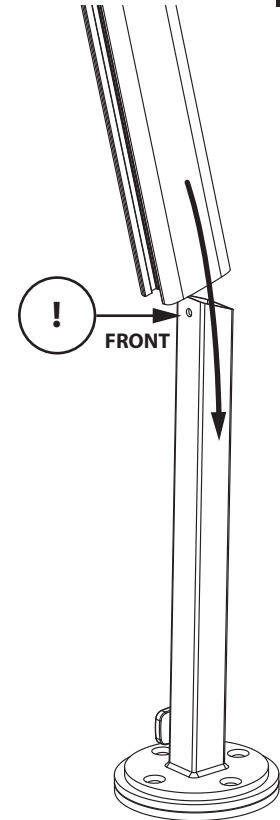
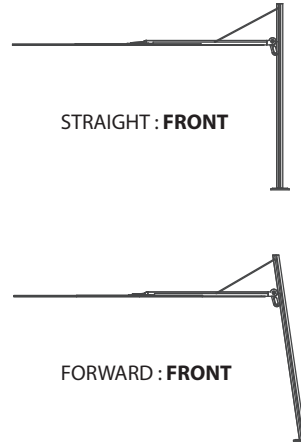
1



UMBROSA.COM

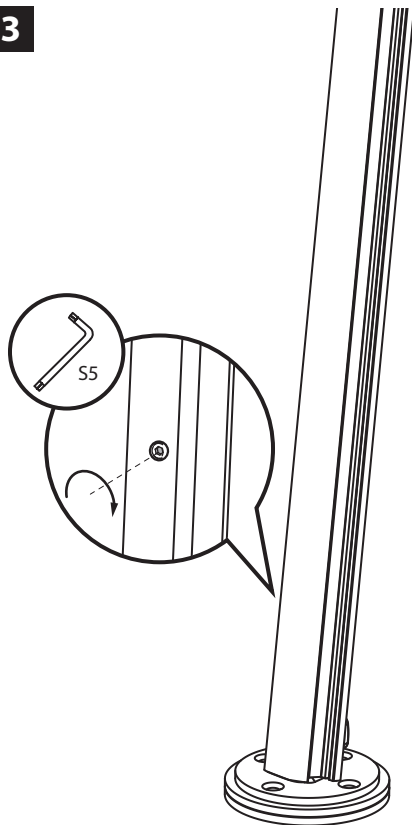


2

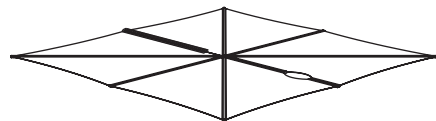
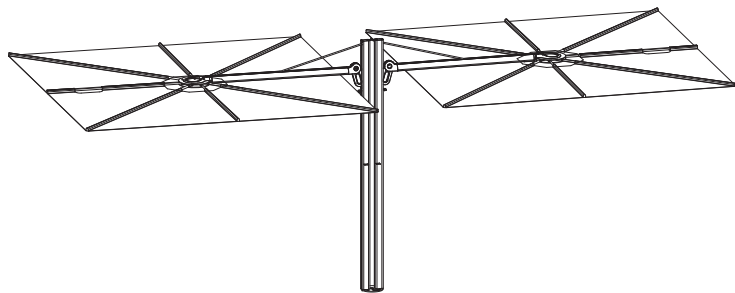




3



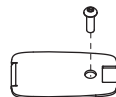
SPECTRA OPPOSITE INSTALLATION



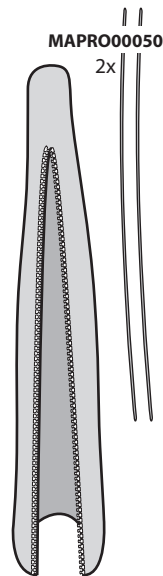
SP250COVER-** / SP300COVER_******
2x



MAPLAI0013



MAPLAI0010
2x



MAPROSPOM2019



2x

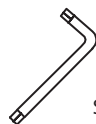


STRAPUNIVERSAL
2x



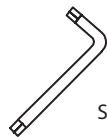
S4

MAKEY00040



S5

MAKEY00050

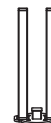


S6

MAKEY00060



MAPRO00050
4x



SPFIXS140OPP_V1_HDG

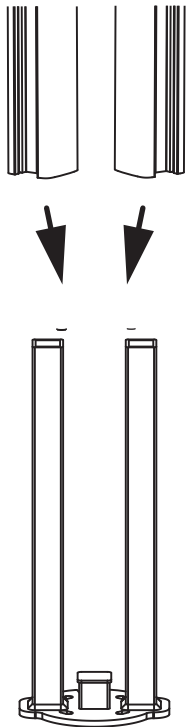


UM-ROTATIONDISC160

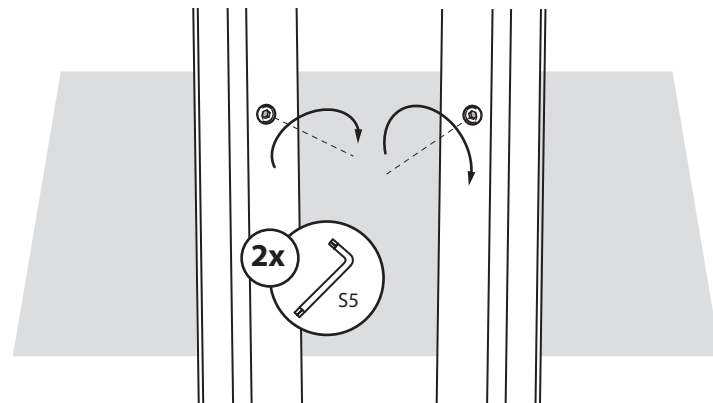
UMBROSSPRAY000PL

SPECTRA OPPOSITE INSTALLATION

1

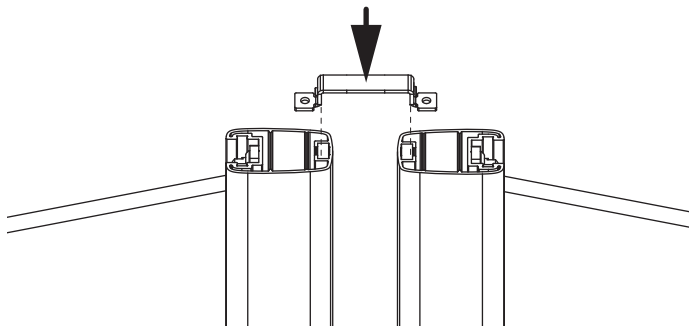


2

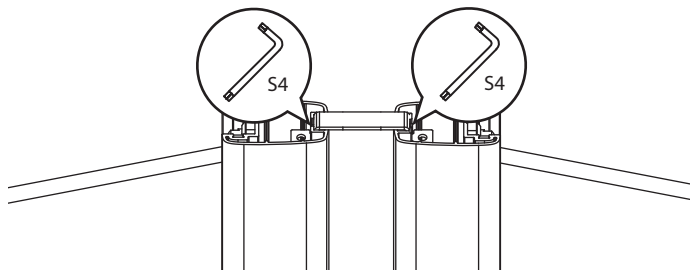


SPECTRA OPPOSITE INSTALLATION

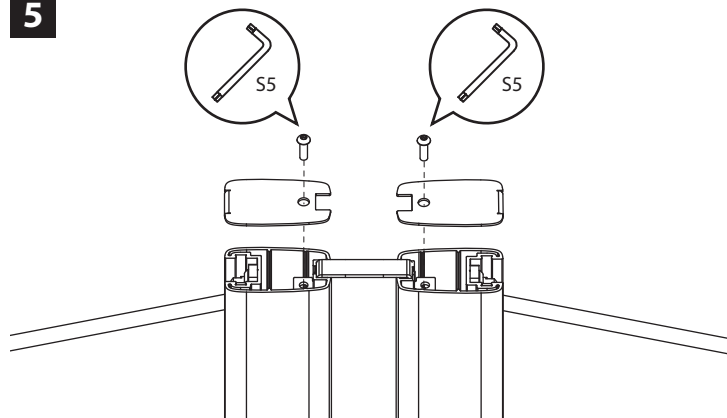
3



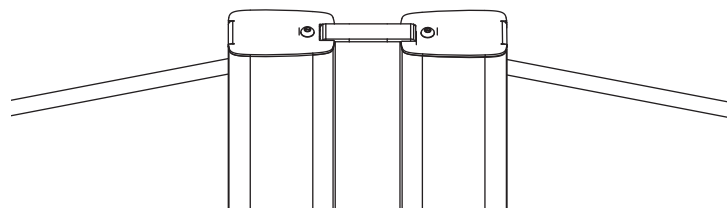
4



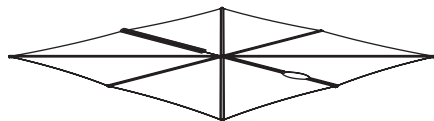
5



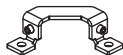
6



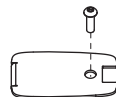
SPECTRA DUO INSTALLATION



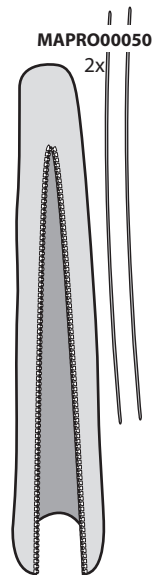
SPDUOMULCOVERN-****
2x



MAPLAI0011



MAPLAI0010
2x



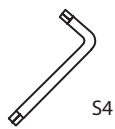
SPPROTECTIONDUO-ZB



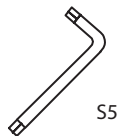
2x



STRAPUNIVERSAL
2x



MAKEY00040



MAKEY00050



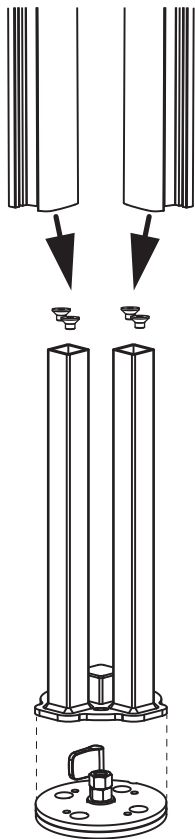
SPFIXS140DUO_V1_HDG



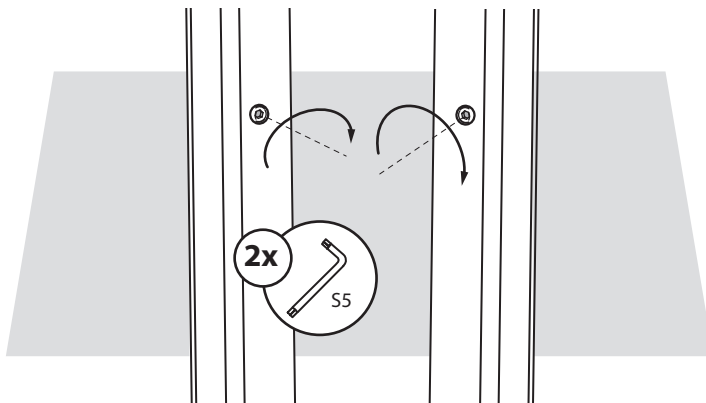
UM-ROTATIONDISC160

SPECTRA DUO INSTALLATION

1



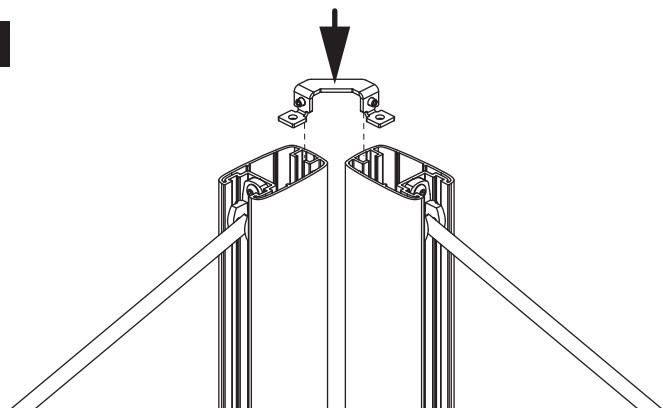
2



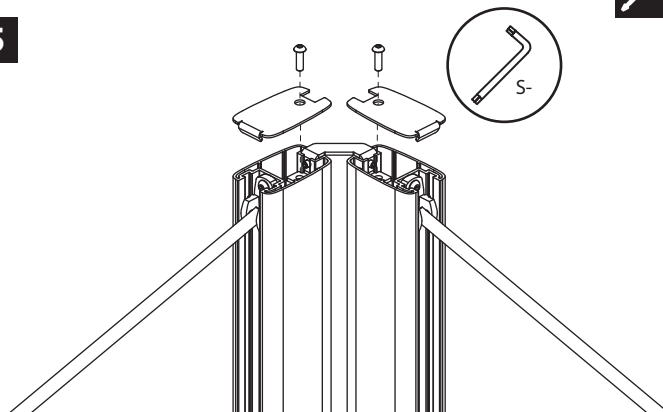
SPECTRA DUO INSTALLATION



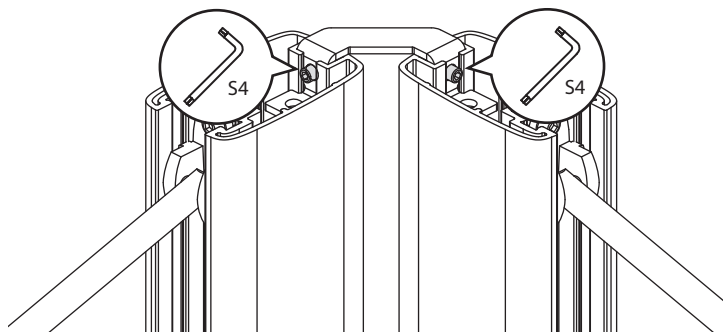
3



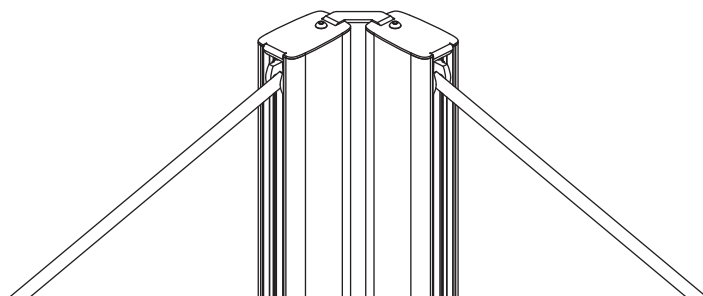
5



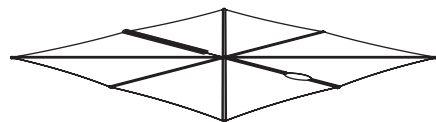
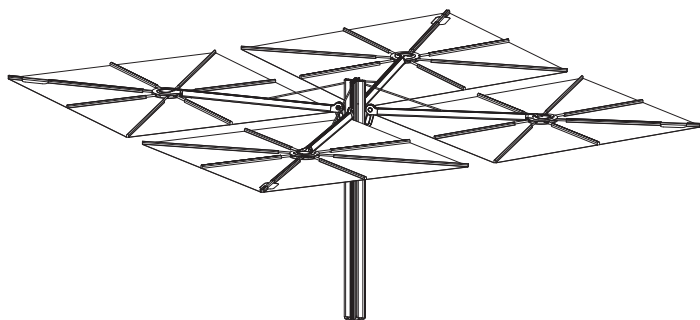
4



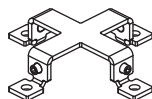
6



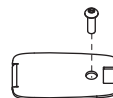
SPECTRA MULTI INSTALLATION



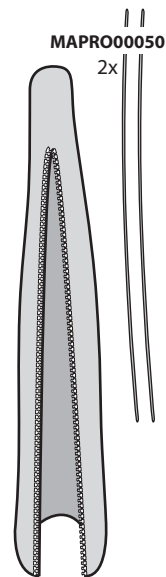
SPDUOMULCOVERN-****
4x



MAPLAI0012



MAPLAI0010
4x



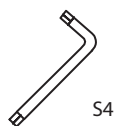
HAPROSPOM2019



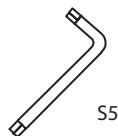
4x



STRAPUNIVERSAL
4x



MAKEY00040



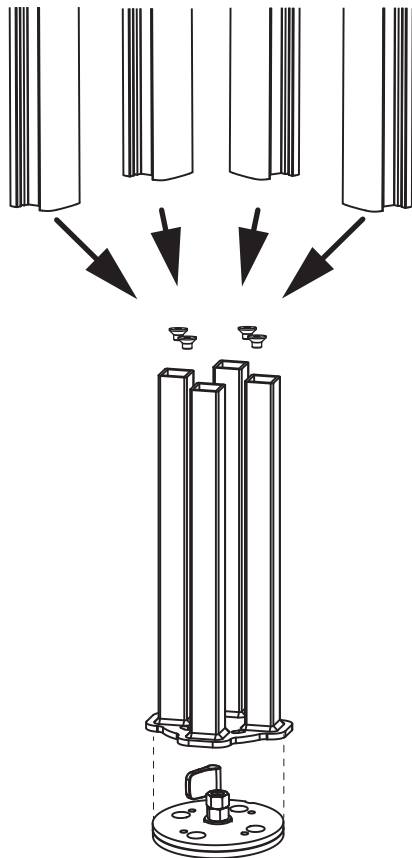
MAKEY00050



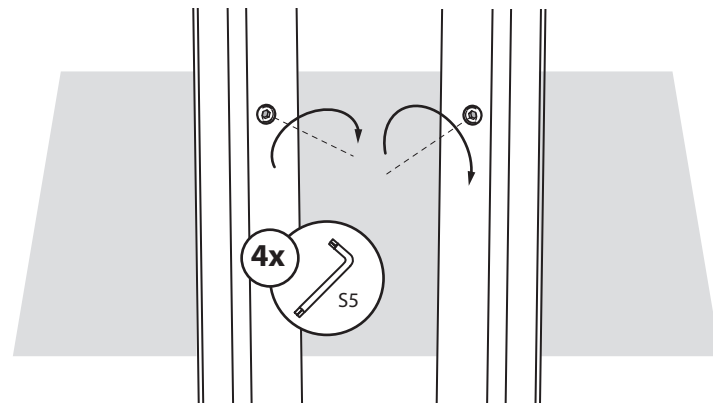
SPFIXS140MUL_V1_HDG

SPECTRA MULTI INSTALLATION

1



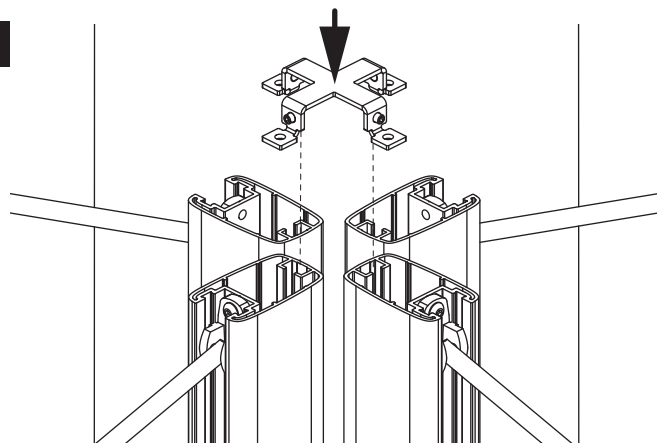
2



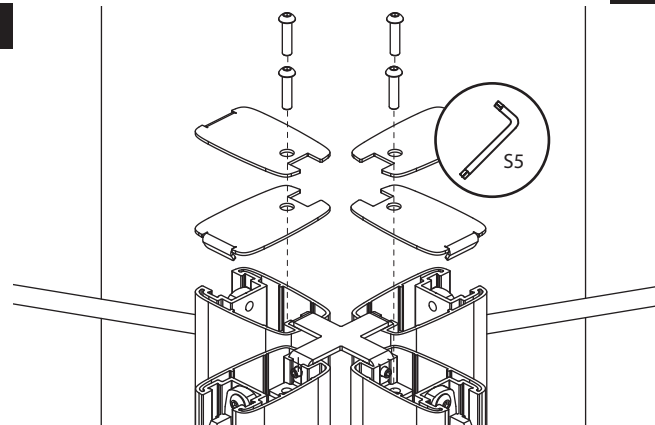
SPECTRA MULTI INSTALLATION



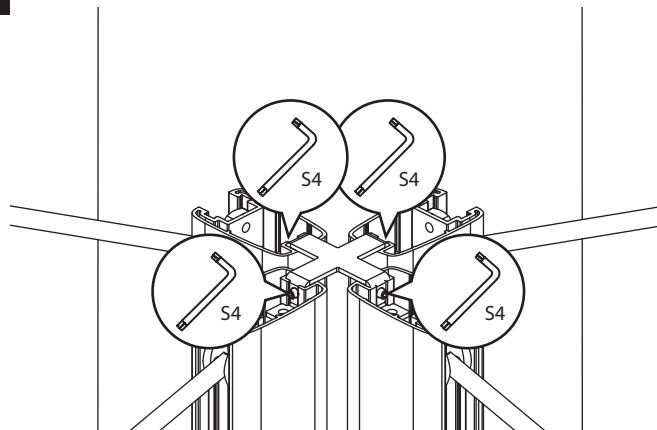
3



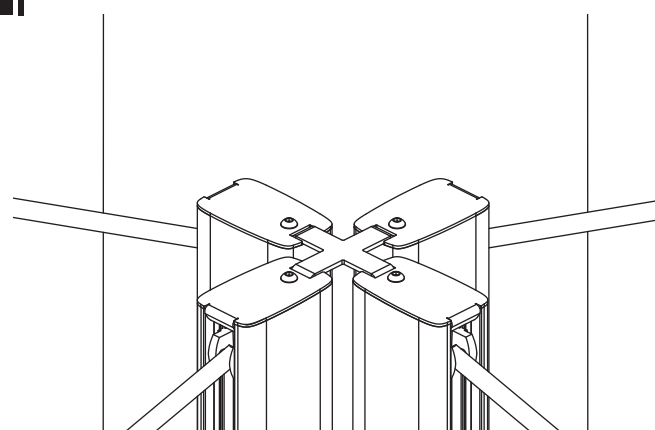
5



4



6

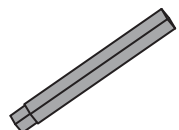


SPECTRA HEIGHT ADJUSTMENT KIT

SPEXTENSIONKIT



1



SUPPORT EXTENSION
MAFIXC090GEL000



FILLER PIECE
MACOMS025G



STRAIGHT EXTENSION
HSPOAELOS



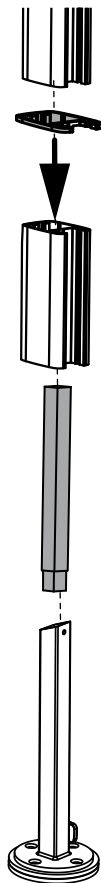
FORWARD EXTENSION
HSPOLAELOF



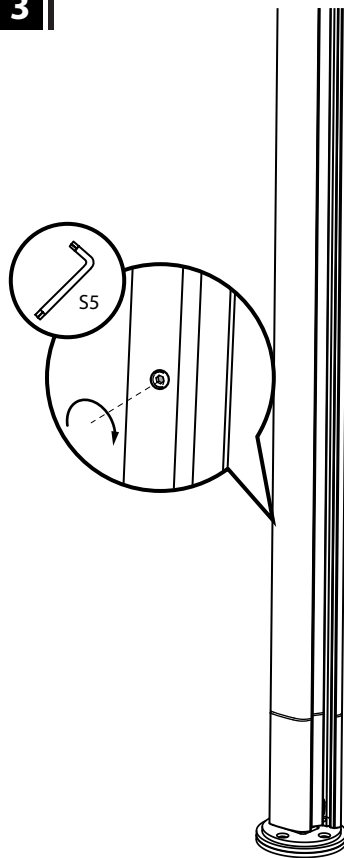
SPECTRA HEIGHT ADJUSTMENT KIT



2



3



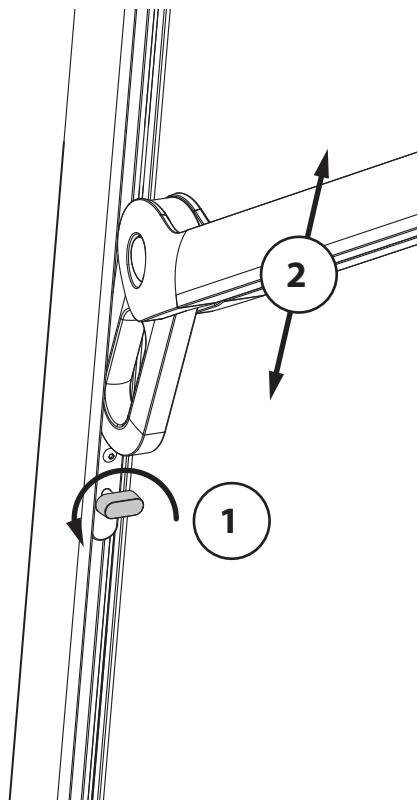
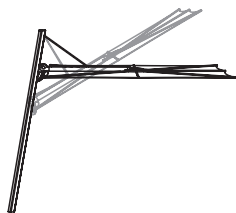
SPECTRA USER INSTRUCTIONS



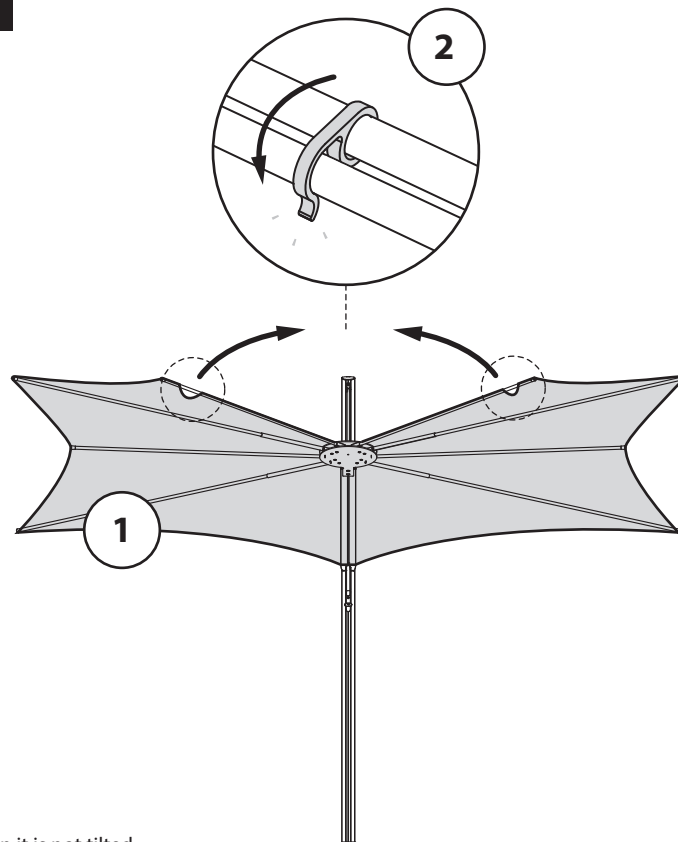
1



UMBROSA.COM



2



CAUTION: Do not use tilt function during winds.

Doing so may cause damage to your umbrella. Canopy can only be closed safely when it is not tilted.

CAUTION: Never force the ribs.

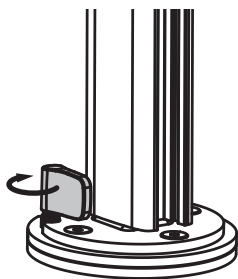
If you experience any resistance, make sure all ribs are freed manually to facilitate opening.



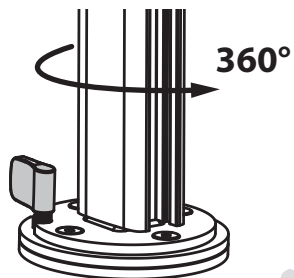
- ENG** We strive for a perfect cover tension with our Spectra. The first time, you'll have to use more power to close the cover. From the second use, the cover will be formed and it will close more easily.
- NL** Met onze Spectra streven wij naar de perfecte doekspanning. De eerste maal moet u veel kracht uitoefenen om het doek te sluiten. Vanaf het tweede gebruik zal het doek zich zetten, en zal sluiten vlot verlopen.
- FR** Nous aspirons à une tension de toile impeccable avec notre Spectra. La première fois, vous voudrez exercer plus de force afin de fermer la toile. A partir de la deuxième utilisation, la toile s'adaptera et fermera plus facilement.
- DE** Mit unserem Spectra streben wir nach einem perfekten Tuchspannung. Das erste Mal müssen Sie viel Kraft benutzen um den Tuch zu schließen. Ab dem zweiten Gebrauch wird das Tuch dehnen und wird es flotter schließen.
- ES** Con el Spectra, nos afanamos por una tensión de lonas perfecta. La primera vez tiene que usar mucha fuerza para cerrar la lona. Desde el segundo uso, la lona adaptará y cerrará muy fluidamente.
- IT** Anche per il ns. modello Spectra, ci impegniamo per ottenere una perfetta tensione del telo. La prima volta, e' normale che ci vuole più forza per aprire il telo. A partire dal secondo utilizzo, il telo avrà già preso la sua forma e sarà più facile aprire l'ombrellone.



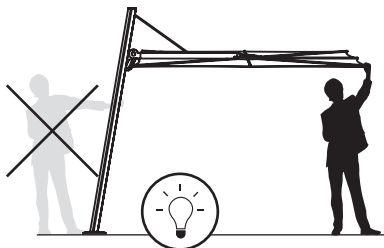
3



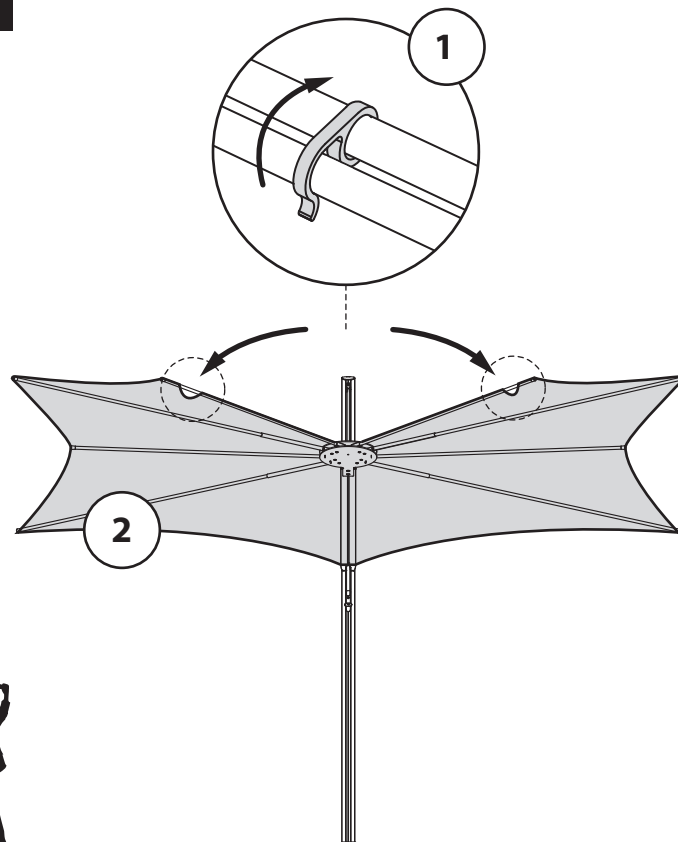
4



360°



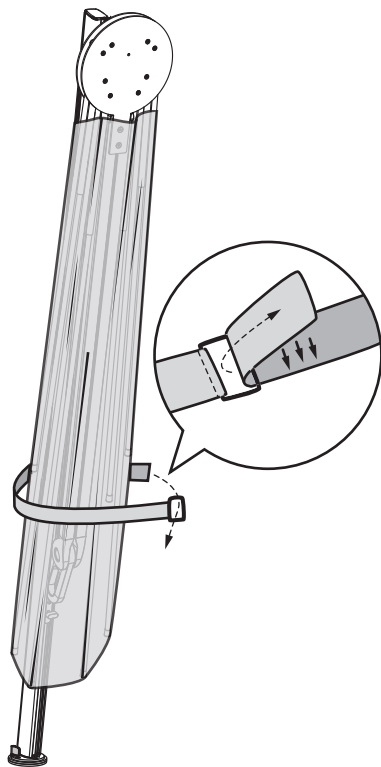
5



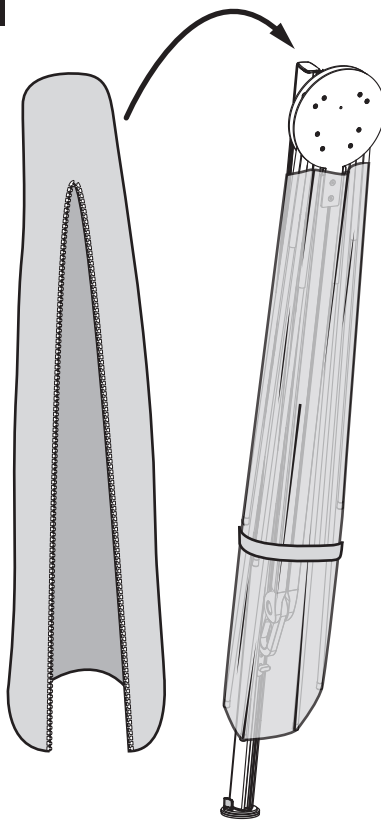
CAUTION: Do not use rotating function during winds. Doing so may cause damage to your umbrella.



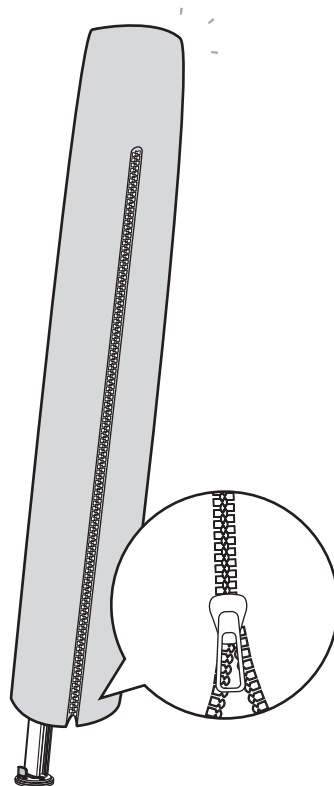
6



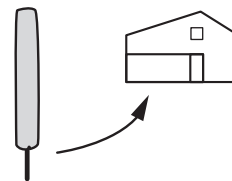
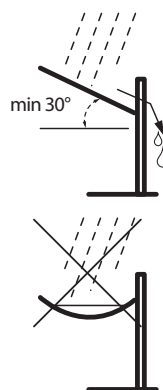
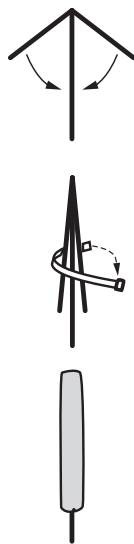
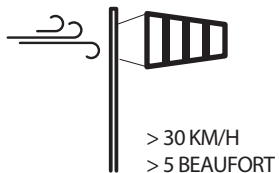
7



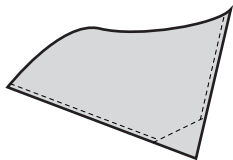
8




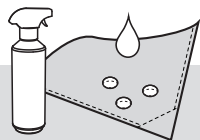
TIPS



MAINTENANCE




ENG [Maintenance instructions on website](#)
NL [Onderhoudsinstructies op webpagina](#)
FR [Nettoyage et guide d'entretien sur le site web](#)
DE [Pflegehinweise auf der Webseite](#)
ES [Instrucciones de mantenimiento en el sitio web](#)
IT [Istruzioni di mantenimento sul sito](#)



UMBROSA
WATER REPELLENT SPRAY



UMBROSA
MAINTENANCE KIT

MAINTENANCE



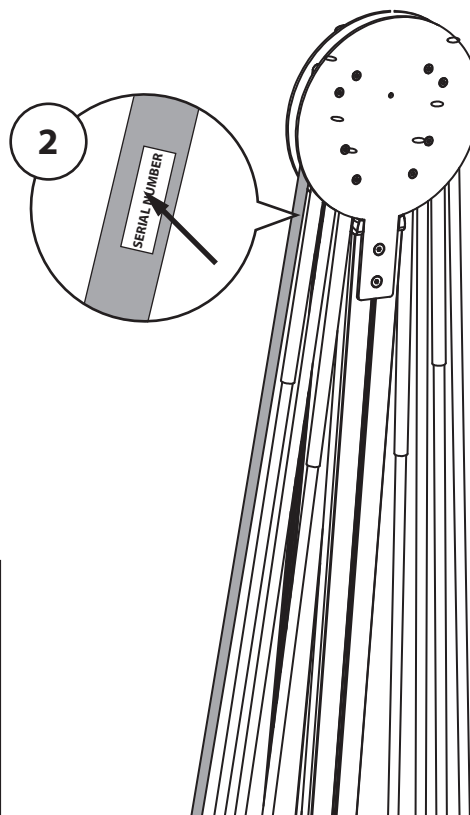
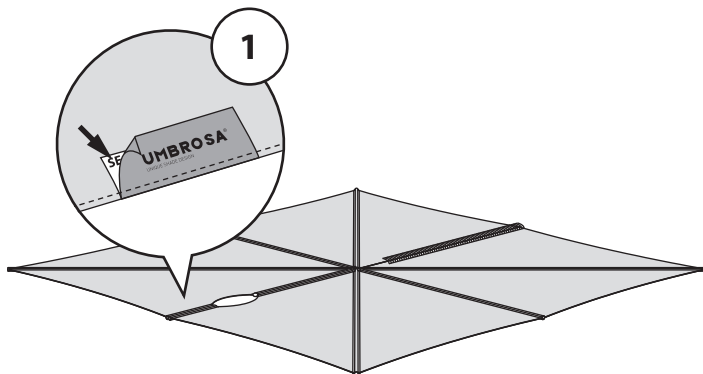
- ENG** In order to **prevent stainless steel from rusting**, it is necessary to treat it frequently and preventatively. Umbrosa recommends cleaning and protecting the surface regularly. Cleaning can easily be done using standard dishwashing detergents. Afterwards, a protection layer can be applied onto the dry surface with a silicon spray. In an aggressive environment (maritime climate, chlorine, acid rain, aggressive industrial or urban environment) we recommend to clean the surface more frequently. Rust can be removed using a cloth and polishing paste. These kinds of products can be bought in do-it-yourself shops, but also in car specialty stores that sell several "stainless steel polishers".
- NL** **Roestvast staal blijft enkel vrij van corrosie**, wanneer deze goed en preventief wordt behandeld. Umbrosa raadt bijgevolg aan om regelmatig het oppervlak te reinigen en beschermen. Reinigen kan eenvoudig met warm water met afwasmiddel zoals "Dreft". Nadien brengt u op het droge oppervlakte een beschermlaag aan met bijvoorbeeld Silicone spray. In een agressieve omgeving (maritiem klimaat, chloor, zure regen, agressieve industriële of stedelijke omgeving), dient men de frequentie van dit preventief onderhoud op te drijven. Wanneer lichte roest zichtbaar is, dient deze te worden verwijderd met doek en speciale polierpasta. Dergelijke producten zijn te koop in Doe-het-Zelf zaken, alsook in autospecialzaken waar men verschillende "stainless steel polishers" verkoopt.
- FR** Pour **éviter que L'acier inoxydable corrode**, c'est nécessaire de traiter la surface régulièrement. Umbrosa conseille de nettoyer et protéger régulièrement la surface en utilisant l'eau chaude et un peu de détergent. Après, sur la surface sèche, vous pouvez appliquer une couche de protection avec, par exemple, un spray de Silicone. Surtout dans un environnement agressif (climat maritime, chlore, pluie acide, environnement industriel ou urbaine agressif) nous recommandons de nettoyer fréquemment la surface. Vous pouvez éliminer des éventuelles taches de rouille avec un chiffon et du cirage. Vous pouvez trouver ce type de produits dans des magasins bricolage, mais aussi dans des magasins spécialisés, ou on vend plusieurs "stainless steel polishers".
- DE** **Edelstahl bleibt nur frei von Korrosion**, wenn dieser gut und Präventiv behandelt wird. Umbrosa empfiehlt regelmäßig die Oberfläche zu reinigen und zu schützen. Reinigung kann problemlos mit warmem Wasser mit Seife. Danach bearbeiten Sie die trockene Oberfläche mit einer Schutzschicht z.B. Silikon spray. In einem aggressiven Umfeld (Seeklima, Chlor, saurer Regen, aggressive Industrie- oder städtischen Umwelt) sollte man diese Behandlung häufig machen. Sichtbaren Rost sollte mit Tuch und spezielle Polierwerkzeuge Paste entfernt werden. Solche Produkte findet man in Baumärkten sowie in Auto Läden wo man verschiedene "Edelstahl Polierer verkauft".
- ES** **Acero inoxidable sólo permanece libre de corrosión**, cuando esta bien y se trata como una medida preventiva. Umbrosa recomienda de limpiar regularmente la superficie para y proteger. Limpieza puede fácilmente con agua tibia con jabón del plato. Luego, lleva sobre la superficie seca con una capa protectora para por ejemplo spray de silicona. En ambientes agresivos (clima marítimo, cloro, lluvia ácida, agresivo ambiente urbano o industrial), la frecuencia de este mantenimiento preventivo para arriba. Cuando el moho visible, se debe retirar con paño y pasta de pulir especial. Estos productos se venden en ferreterías, así como en tiendas de coches donde uno diferentes vende "pulidores de acero inoxidable".
- IT** Per **prevenire l'arruginirsi dell'acciaio inox**, è necessario curarlo frequentemente e preventivamente. Umbrosa consiglia di pulire e proteggere frequentemente la superficie. E' possibile pulire l'acciaio inox con acqua calda e detergente. Dopo aver pulito la superficie, la potete proteggere applicando sulla superficie asciutta uno strato protettivo con, per esempio, lo spray al silicone. In un ambiente aggressivo (clima marittimo, cloro, pioggia acida, ambiente aggressivo industriale o urbano) consigliamo di pulire la superficie più spesso. E' possibile rimuovere possibili macchie di ruggine con uno straccio e un po' di lucidante. Questi prodotti sono disponibili in negozi fai da te, ma anche in negozi specializzati (come quelli che vendono i prodotti per pulire le macchine) che vendono vari "stainless steel polishers".

WARRANTY

KEEP THIS AVAILABLE

1 PROOF OF PURCHASE / AANKOOPBEWIJS / PREUVE D'ACHAT / KAUFBELEG / JUSTIFICANTE DE COMPRA / PROVA D'ACQUISTO

2 SERIAL NUMBER / SERIENUMMER / NUMÉRO DE SÉRIE / SERIENNUMMER / NÚMERO DE SERIE / NUMERO DI SERIE

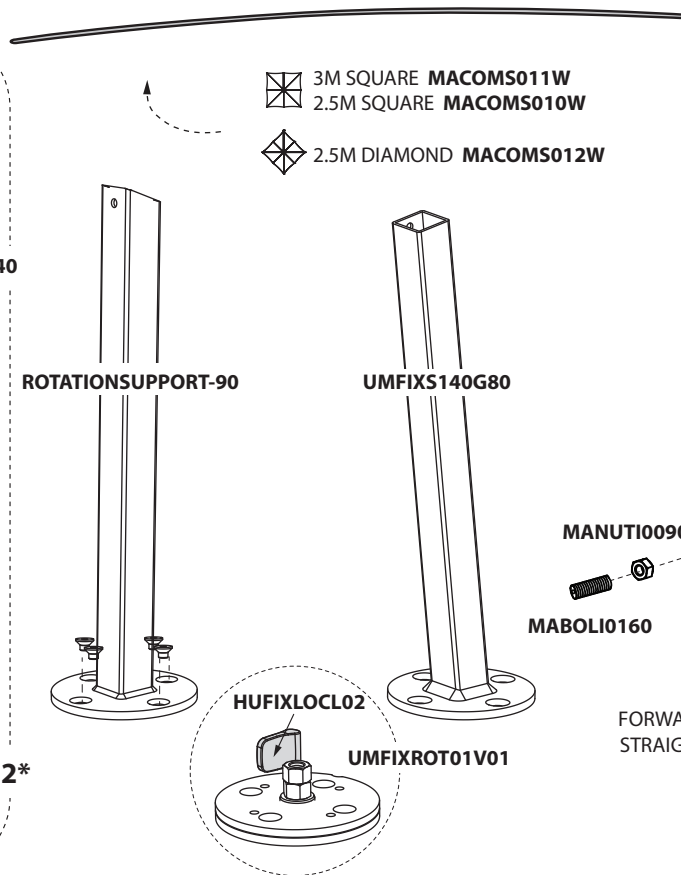
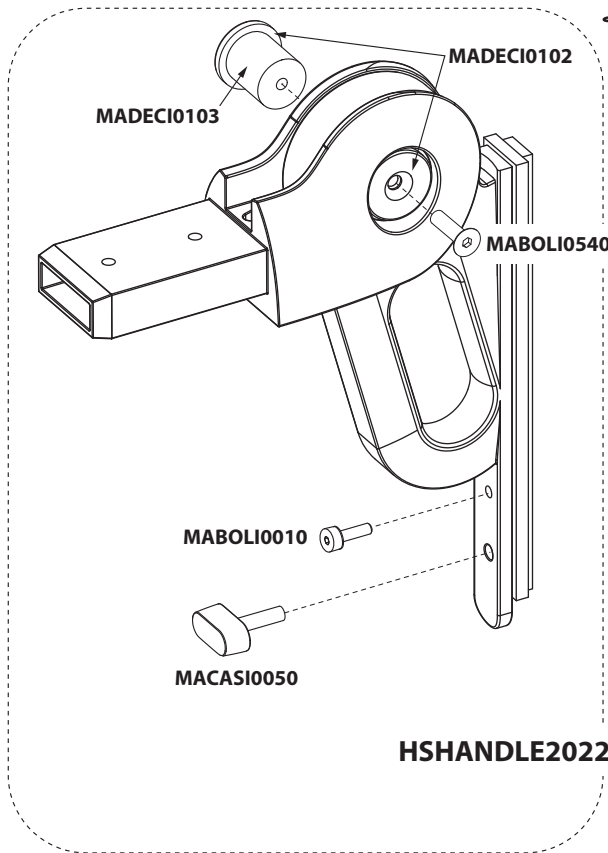


- ENG [Warranty conditions on website](#)
- NL [Garantievoorwaarden op webpagina](#)
- FR [Conditions de garantie sur le site Web](#)
- DE [Garantiebedingungen auf der Webseite](#)
- ES [Condiciones de garantía en el sitio web](#)
- IT [Condizioni di garanzia sul sito](#)



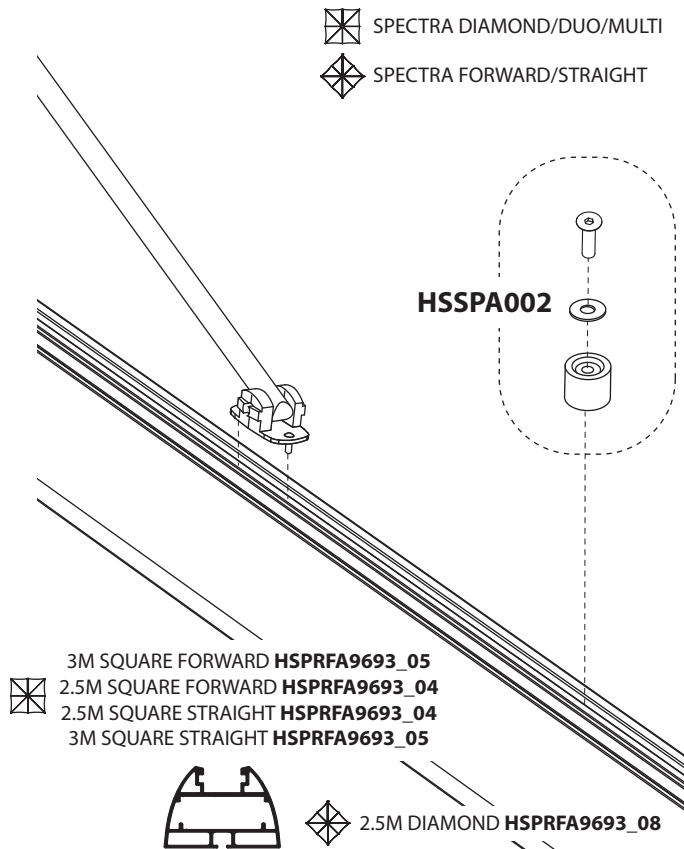
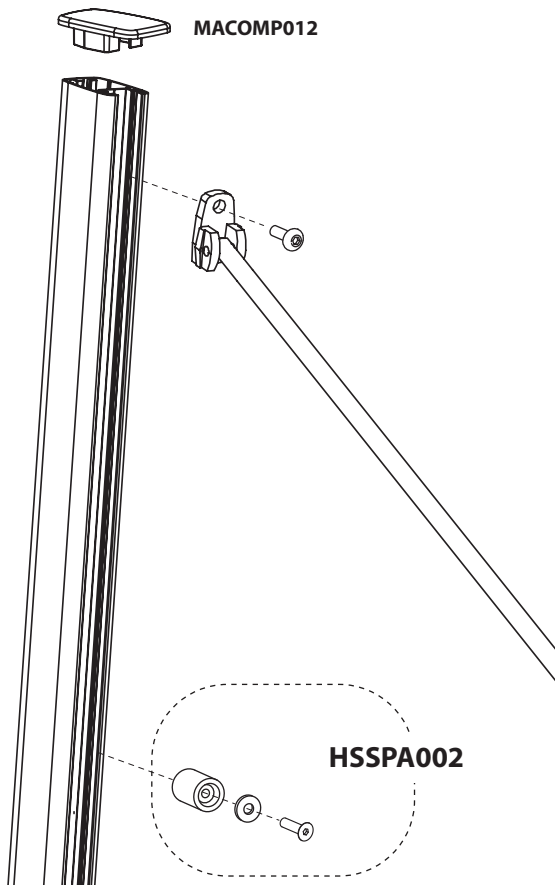
SPARE PARTS

SPECTRA FORWARD/STRAIGHT/DIAMOND/OPOSITE/DUO/MULTI



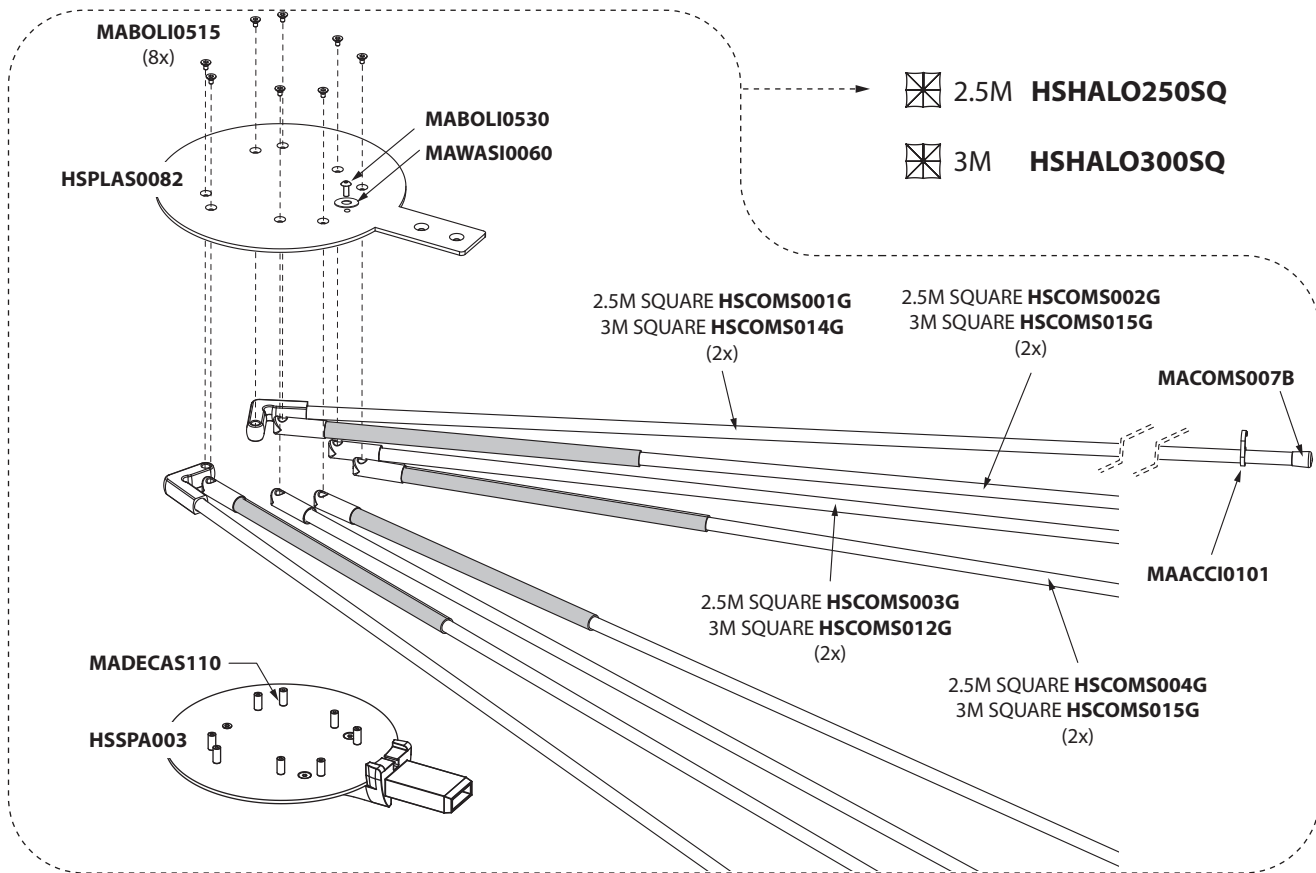
SPARE PARTS

SPECTRA FORWARD/STRAIGHT/DIAMOND/OPPOSITE/DUO/MULTI



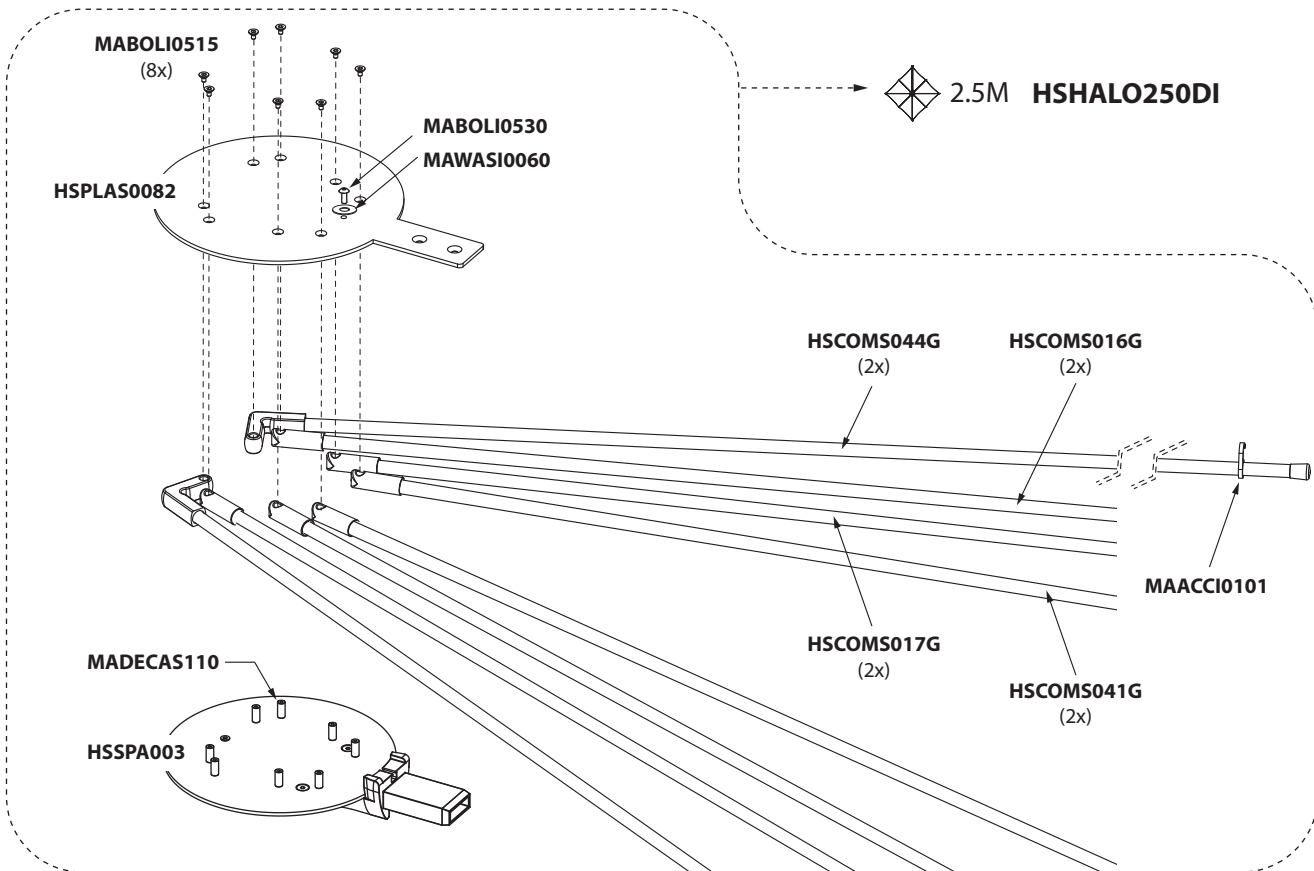
SPARE PARTS

SPECTRA FORWARD/STRAIGHT/OPPOSITE



SPARE PARTS

SPECTRA DIAMOND/DUO/MULTI

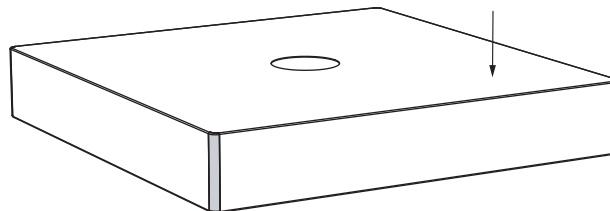


LARGE BASE

SPARE PARTS



MABOLIG0031 (4x)
 ALU-COVERN-L-TBASE
 OR
 BLACK-COVERN-L-TBASE



MACOMU062* (4x)

MASCR00077 (8x)



UMFRATBCR80_V1_HDG (2x)



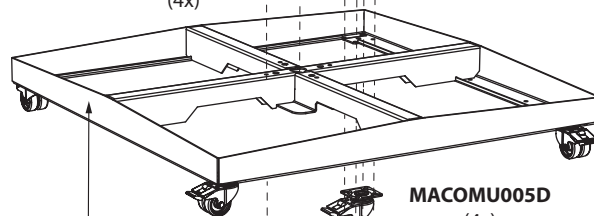
MABOLI0560 (4x)
 UMFIXG0020_V1 (4x)



MACOMU65
 1x TOOL



MACOMU064_B
 16x



MACOMU005D (4x)

MABOLI0200 (16x)

UMFRATB_V1_HDG



UMFIXG0021_V1 (4x)

*** COLOR CODES**

GREY	_R7047
BLACK	_R9005

UMBROSA

UNIQUE SHADE DESIGN

Umbrosa

Beversesteenweg 565 B, 8800 Roeselare, Belgium.

T: +32 51 30.22.60 | F: +32 51 30.22.62 | E: info@umbrosa.com | www.umbrosa.com

Umbrosa Inc

530 7th Avenue, Suite 902, New York, NY 10018

T: (855) 285-6595 | E: info@umbrosa.com | www.umbrosa.com

The content of this document, in particular the mentioned models, is protected by copyrights and/or design rights. The present document and its content is communicated to you for information purposes only. Any partial or total reproduction or any other use without our prior written permission is strictly prohibited. This technical sheet remains subject to possible changes. Of course we do our best to eliminate all mistakes, but Umbrosa is not responsible for the errors in the documentation of products. All measurements are approximate and are provided for informational purposes only.

VERSION 20230222