

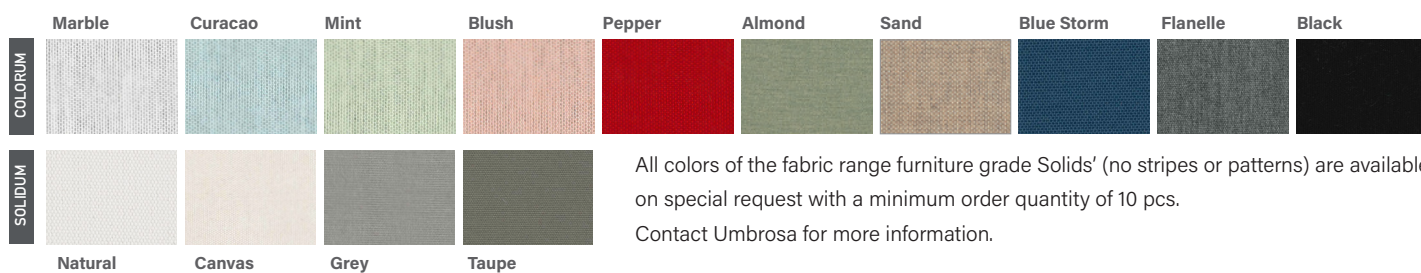
MODEL



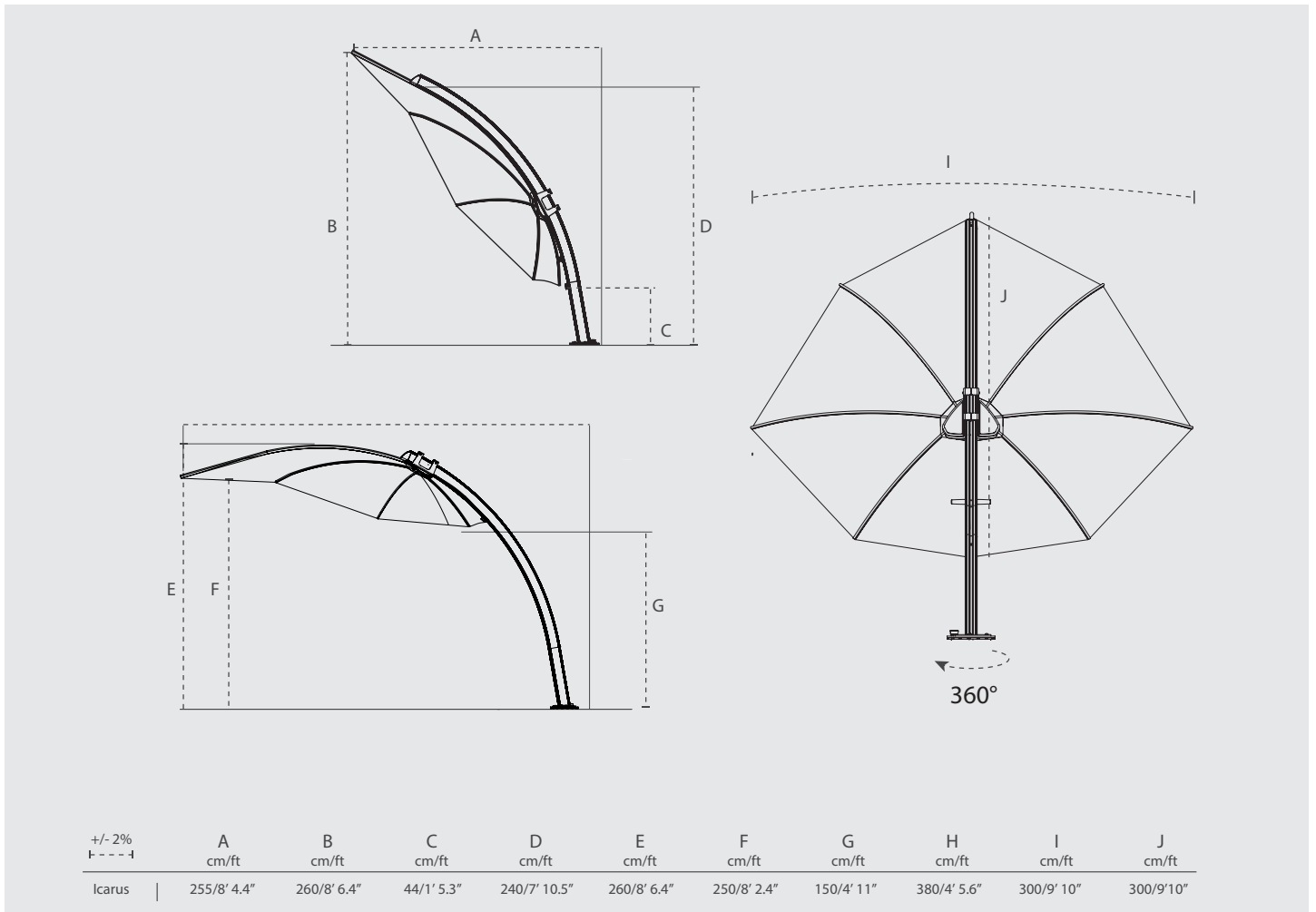
POSITIONS



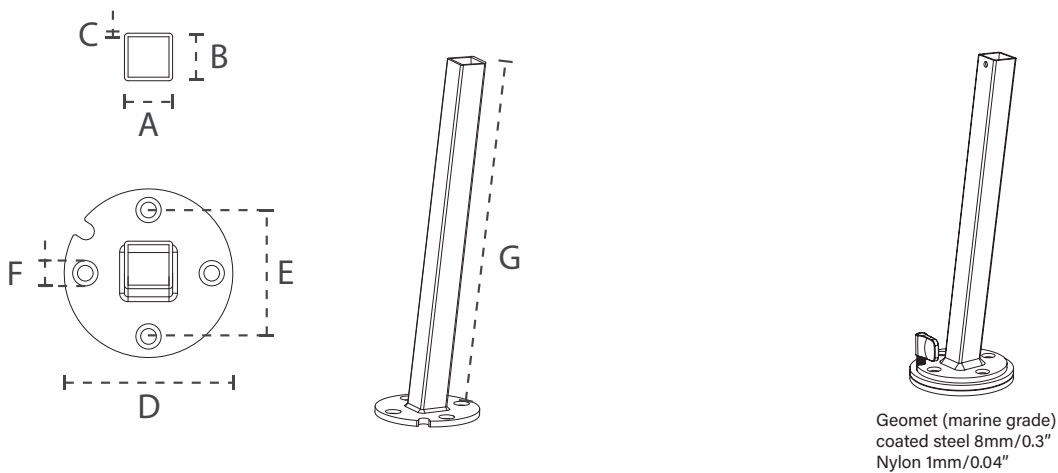
COLORS



DIMENSIONS

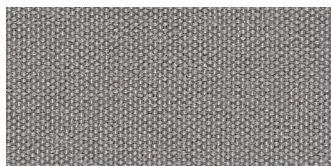


ROUND SUPPORT



	A	B	C	D	E	F	G
	mm/inch	mm/inch	mm/inch	mm/inch	mm/inch	mm/inch	mm/inch
Round support	40/1,57"	40/1,57"	3/0.12"	140/5.5"	105/4.1"	11/0.43"	490/17.3"

MATERIALS



FABRIC

Solidum – 100% Acryl 255 gr/m²

Colorum – 100% Acryl 260 gr/m²

More details – see spec sheet Fabrics



RIBS

Glass fiber Ø 12mm/0.46"



POLE

Powder coated
aluminum



OTHER MATERIALS

Wheels: nylon – self lubricating.

Handle: stainless steel

For projects – consult Umbrosa for powder coating finish options (RAL).

Contact us for the details on the MOQ.

PACKAGING & TRANSPORT

Icarus	L (cm)	W (cm)	H (cm)	Weight (kg)	L (")	W (")	H (")	Weight (lbs)
Umbrella box	307	63	31	35	10'0.9"	2' 0.8"	1' 0.2"	77
Base L STD	88.6	88.6	15	17.5 kg	2"10.9"	2"10.9"	5.9"	38.5
Base L STD package	90	90	16	18.5 kg	2"11.4"	2"11.4"	6.3"	40.7

NICE TO KNOW

- Spare parts available
- Designed and manufactured in Belgium
- Warranty between 10 and 2 years, please consult our warranty policy at www.umbrosa.com
- Download owner's manual (QR-code included), also available at www.umbrosa.com
- Storage bag included (PU coated fabric)
- Wind speeds up to 5 beaufort, 30 km/h, 18 mph when base is permanently fixed
- Tested at TU Delft

SAFETY STATEMENTS & WARNINGS

- Product is suitable for light wind and/or light rain only.
- Position product in direction of wind as recommended in user manual.
- Do not use product in inclement weather, such as strong wind, thunderstorms, heavy rain or snow, and make sure that the umbrella is closed and stored in advance.
- Never allow the umbrella to flap in the wind. This could cause personal injury, damage to personal property, damage to umbrella and/or umbrella canopy.
- Close product and secure strap when not in use.
- Do not use product without its base or unless attached to building structure, and keep umbrella secured to umbrella base or mount at all times.
- Do not use product over or near harsh chemicals or open flames.
- Place product on stable and level surface.
- Do not allow children to assemble or operate product.
- Do not leave product unattended.
- Store product indoors during winter and extreme weather conditions.
- When adjusting or assembling the umbrella or umbrella base, make sure fingers, toes or any other parts of the body are clear from moving parts. Failing to do so may result in serious injury.
- Only use Umbrosa replacement parts.
- Read owner's manual.
- Any modifications to the product or failure to follow recommended care will void the warranty.
- Wind damage is not covered under our limited warranty.