

OPTIONAL EQUIPMENT

Additional Units (sold separately)



TABLE TOP LECTERN / #22

This versatile, portable table top lectern, can be used on its own or as a floor lectern with the optional base (sold separately). $\frac{5}{8}$ " stain and scratch resistance thermofused melamine laminate on MDF. Paper/book stop included.

Dimensions: 23 $\frac{3}{4}$ " W x 13 $\frac{3}{4}$ " H x 19 $\frac{1}{8}$ " D

FULL FLOOR LECTERN / #222

Attractive and durable lectern made of $\frac{5}{8}$ " stain and scratch resistant thermofused melamine laminate on MDF. Full sized reading surface, shelf and paper/book stop built in. Floor glides provided.

Dimensions: 23" W x 46 $\frac{1}{2}$ " H x 16"D

Available Color Options

Medium Oak • Light Oak • Mahogany • Walnut

BRASS READING LAMP / #BRL

Attach an elegant brushed brass reading lamp to the reading table of your new Speaker Stand. Not only will you shed light on the subject, but you will add pizzazz to your new stand.



For these and other OSC accessories, please contact your dealer, or:

OKLAHOMA SOUND

149 Entin Road, Clifton, NJ 07014

Tel 973-594-9000 • Fax 973-594-9339

www.oklahomasound.com • email: info@oklahomasound.com



**A/V Cart
Combo Lectern Base**

ASSEMBLY MANUAL



MODEL #112

INTRODUCTION

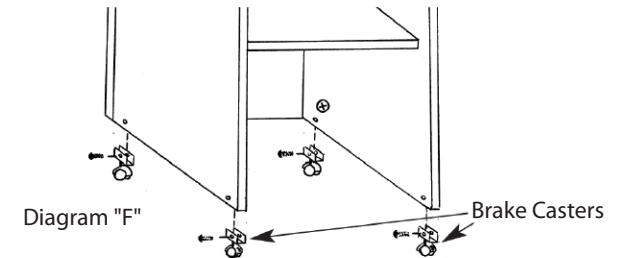
The model #112 Combo Lectern Base - A/V Cart Converts the TABLE TOP to a FULL FLOOR lectern or use as an A/V cart for your presentation equipment. $\frac{3}{4}$ " stain and scratch resistance thermofused melamine laminate on flakeboard. Includes storing shelf and four easy roll casters; two locking.

Dimensions: 21 $\frac{1}{8}$ " W x 33 $\frac{3}{4}$ " H x 17 $\frac{1}{2}$ " D.

Manufacturers Warranty

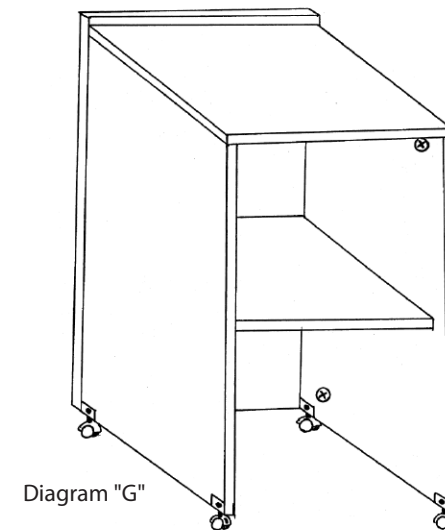
Our lectern undergoes the most rigid and exacting tests for superior quality and performance before leaving the factory. Our lectern is made in America by American craftsmen. Oklahoma Sound Corporation warrants this product to be free from defective material and workmanship for five years from the date of resale by an authorized Oklahoma Sound distributor. Oklahoma Sound will replace defective parts and repair malfunctioning products under this warranty when the defect occurs under normal installation and use, provided the unit is returned to our factory via prepaid transportation after direct authorization and approval by Oklahoma Sound. This warranty provides that examination of the returned product must disclose in our judgement, a manufacturing defect. This warranty does not extend to any product which has been subject to misuse, neglect, accident, improper installation, or where the serial number has been removed or defected and is given in lieu of any other warranty implied or expressed and will not cover any consequential damages.

- 5) Four casters are supplied, two with brakes and two without brakes. The casters are attached to a metal channel called a u-clip. About an inch into the wood, at the four bottom edges there are pre-drilled holes, these are there for the purpose of screwing the casters in place. P.S. Be sure to attach the two brake casters towards the front of cart (front panel) as shown in (Diagram F)



- 6) Once again go over all the cams and check to make sure the cart is sturdy.

Congratulations! You have successfully assembled your cart, which if cared for correctly should give you long and satisfactory usage (Diagram G).



3) Align the bolts on the front of Panel B sides with the cams on both side panels, tighten cams (Diagram D).

Notice Panel B is about an inch taller than the rest of the cart this is needed for the optional model #22 see back page.

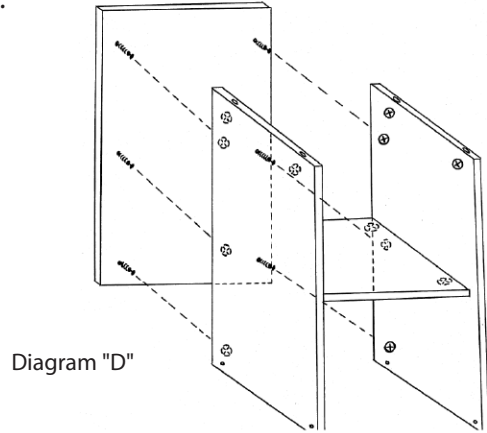


Diagram "D"

4) Stand the cart up (the bottom can be identified by the small drilled holes about an inch from the bottom side edges). Taking the top Panel D of the cart with the installed cam-bolts facing down, align bolts with holes on the top edges. Once they are in place apply gentle pressure on the top shelf until it lies flat on all of the top edges, then tighten cams. (Diagram E)

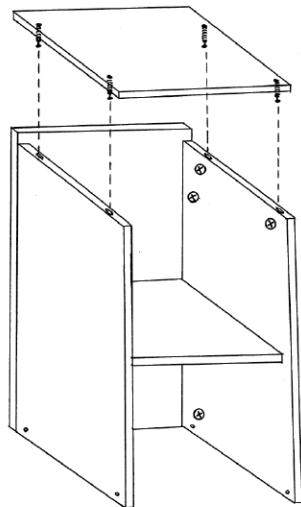


Diagram "E"

ASSEMBLY INSTRUCTIONS




Assembly Tips

- Do not use a sharp instrument such as a knife or screwdriver to open the packaging, as this may scratch or possibly damage the unit.
- All assembly should be done on a clean protected surface such as carpet or the like.
- Make sure that you have all the required parts. A list of all the parts is noted below.
- Read the instructions carefully and follow the diagrams to ensure an easy and correct assembly.

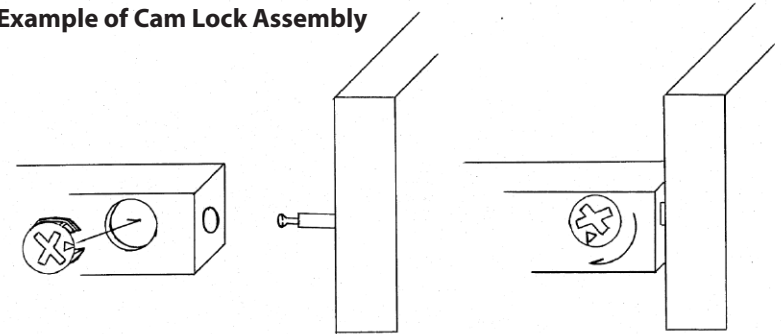
Tools Required

- #2 Phillips Head Screwdriver
- Hammer

Parts

- | | | |
|--------------------|--|---------------|
| 14 Cams..... |  | 1 Top Panel |
| 14 Cam Bolts |  | 1 Front Panel |
| 4 Casters..... |  | 1 Right Panel |
| | | 1 Left Panel |
| | | 1 Shelf |

Example of Cam Lock Assembly



INSTALLATION OF HARDWARE

- 1) Lay out the wood panels as shown below in figure "A" (make sure the factory drilled holes are facing upwards).
- 2) Identify the holes numbered "1" in Diagram A. screw the bolts into the holes with the #2 Phillips Head screwdriver. Be sure to tighten the screws all the way. Note: Be careful not to over-tighten the bolts as this will strip the wood.
- 3) The cams should be inserted in the larger holes as shown on the Diagram "A". MAKE SURE THE ARROW ON THE CAM IS POINTING TO THE CLOSEST EDGE AND ALIGNED WITH THE HOLE ON THE EDGE.

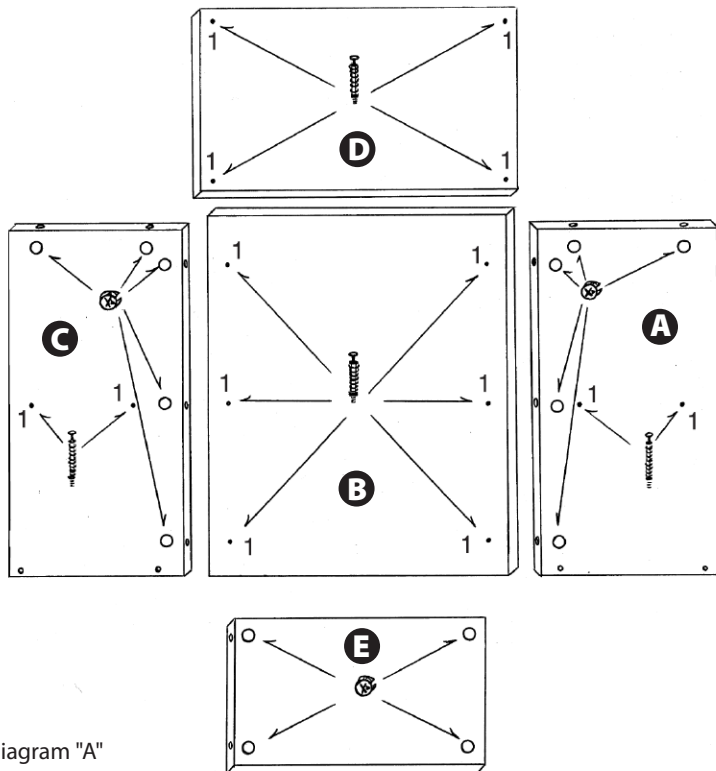


Diagram "A"

ASSEMBLY OF LECTERN

It is important that the instructions on the assembly are followed carefully

- 1) Panel E the first piece of equipment that will be installed will be the shelf. Make sure the cams will face the bottom of the lectern. The two bolt in the center of Panel A (the right hand panel) will align with the two holes on the edge of the shelf Panel E (these holes reach until the cams) gently push the panel down on to the cam bolts until the panel is completely on the right side Panel A. Tighten the cams by turning clock-wise until locked (Diagram B).

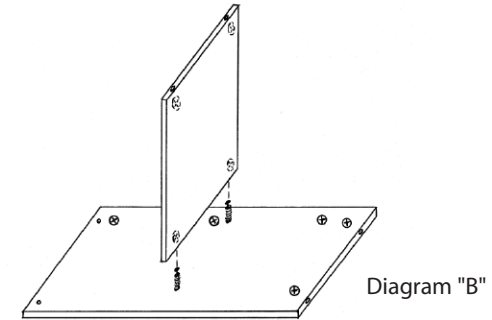


Diagram "B"

- 2) Apply Panel C to the second side of the shelf. Tighten cams (Diagram C)

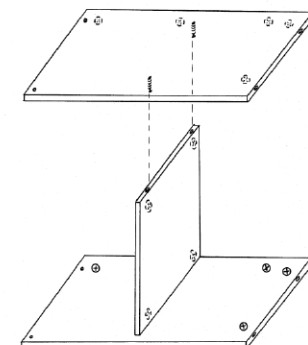


Diagram "C"