

ASSEMBLY INSTRUCTIONS

600 SERIES | ARISTOCRAT NON-SOUND LECTERN



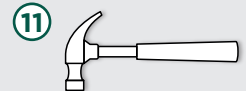
ASSEMBLY TIPS

Read the instructions carefully and follow Diagrams to ensure an easy and correct assembly.
Do not use a sharp instrument such as a Knife or a Screwdriver to open the packaging, as this may scratch or possibly damage the unit. All assembly should be done on a clean protected surface such as carpet or the like. Make sure that you have all the required Parts listed below.

TOOLS NEEDED

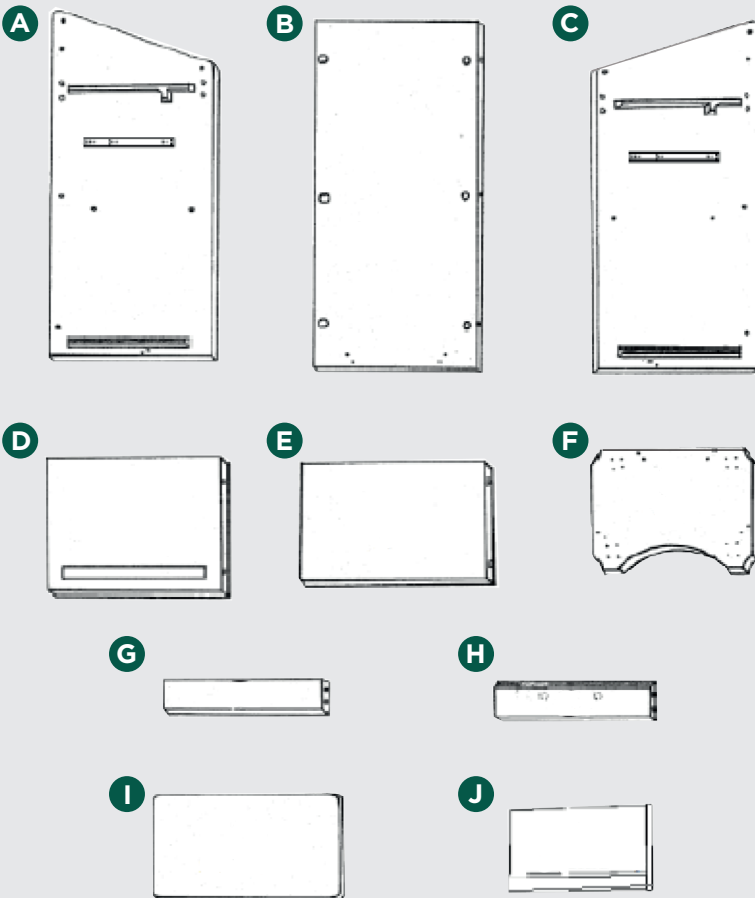


Phillips
Screw Driver

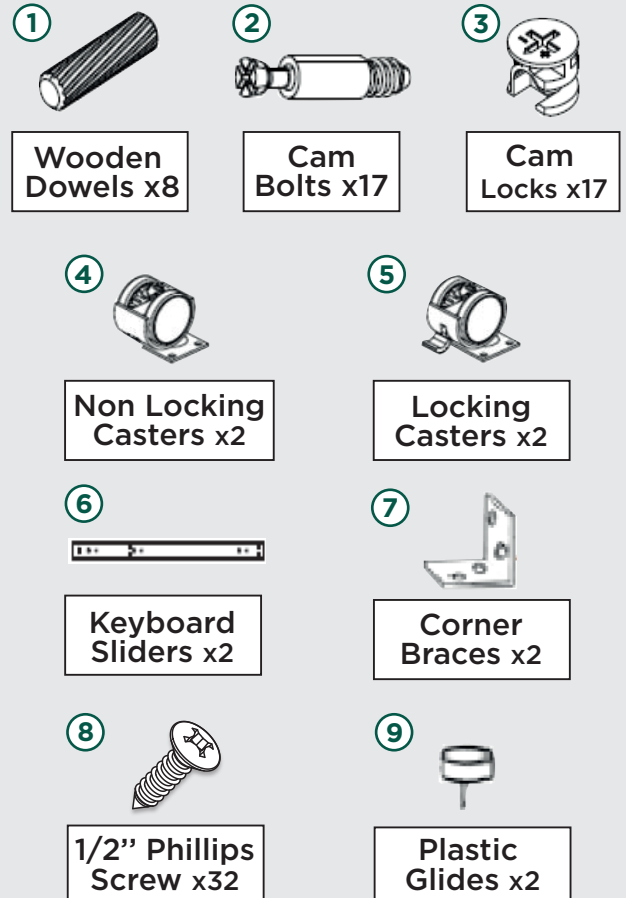


Hammer

PARTS



HARDWARE INCLUDED



INSTALLATION OF HARDWARE

- 1 Lay out the wood Panels as shown in **Diagram A** (make sure the factory drilled holes are facing upwards). You can determine the top of the front Panel by identifying the “T” molding edge.
 - 2 Identify the holes numbered **1** in **Diagram A**. Screw the Bolts **2** into the predrilled holes with the Phillips Screwdriver **10**. Be sure to tighten the Bolts all the way. (See **Figure 1**)
- !** Be careful not to over tighten the Bolts as this will strip the Wood.
- 3 Insert the Cams **3** in the larger holes as shown on **Diagram**. **MAKE SURE THE ARROW ON THE CAM IS POINTING TO THE CLOSEST EDGE AND ALIGNED WITH THE HOLE ON THE EDGE.** (See **Figure 1**)
 - 4 Insert the eight Wooden Dowels **1** into the holes of the edges on the two “Shelf Runner Panels” **G** and **H**. You can use a Hammer **11** to insert them.
 - 5 On the Bottom Panel **F** screw in the four Casters. The Locking Casters **5** should be screwed into the bottom closest to the shaped finished edge. The second pair of Non-Locking Casters **4** should be attached closest to the unfinished edge.
 - 6 Screw in the Corner Brace **7** to the side, there are pre-drilled holes to guide you.

ASSEMBLY OF LECTERN

- !** It is important that the instructions of the Assembly are followed carefully.

- 1 Align the holes on the edge of Panel **B** edges with three Cam Bolts **2** on the side Panel **A**. Tighten the Cams by turning clock-wise until locked. (See **Diagram B** and **Figure 1**)
- 2 Take Panel **D** and Panel **E** and tighten Cams **3**. Make sure the Cams on Panel **D** and Panel **F** face the bottom of the Lectern. The two Bolts **2** just above the slots align with the two holes on the edge of Panel **D** (these holes reach until de Cams). The two Bolts in the center of the right side Panel will align with the two holes on the edge of Panel **E**. Gently push the Panel down on to the Cam Bolts until the Panel is completely on the right side Panel.

Figure 1

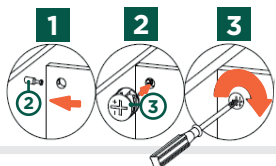


DIAGRAM “A”

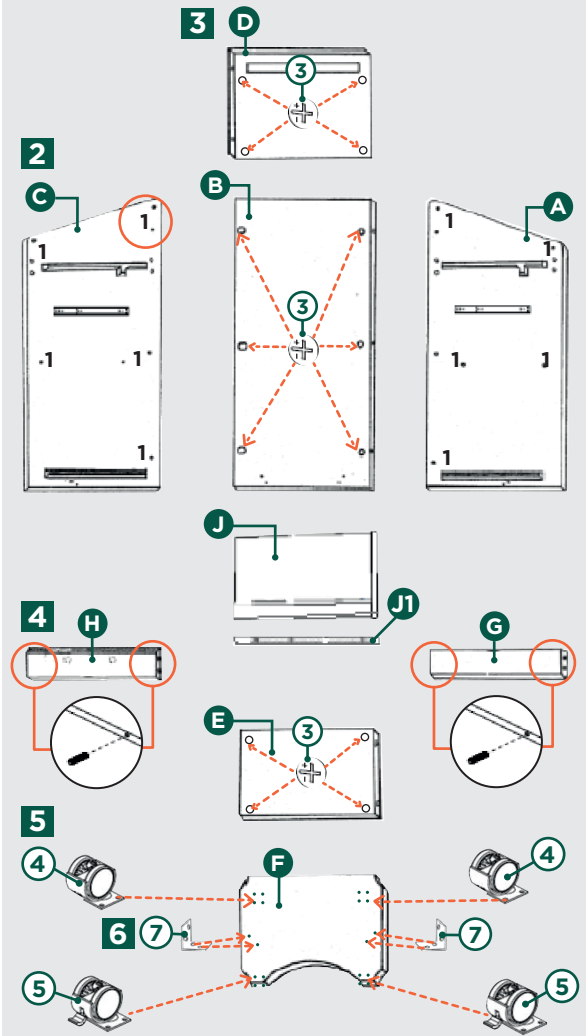


DIAGRAM “B”

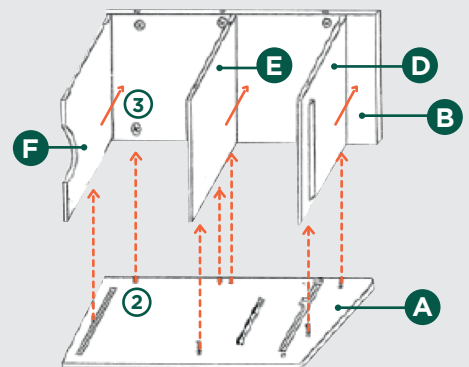
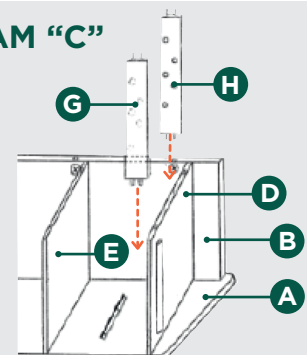


DIAGRAM “C”



ASSEMBLY OF LECTERN

- 3 Taking the Panel **F**, with the Casters **4** **5** facing the bottom of the unit, insert Panel into the groove, make sure that the Panel is all the way in the groove. (See **Diagram B**)
- 4 Next to be installed will be the Shelf Frames. Identify the Runner Panel with one edge cut on angle (Panel **G**) (See **Diagram C**). Now the second Shelf Runner Panel (Panel **H**) shall be installed under Panel **D** and near Panel **B** with the Plastic Glides **9** facing the other side.
- 5 Now apply Panel **C** to the semi assembled unit. Be sure to align the Cam Bolts to the holes on both Panel **B** and Panel **E**. Be sure that Panel **F** is securely in groove. Tighten Cams. (See **Diagram D**)
- 6 Screw the Corner Braces **7** in Panel **F** into Panel **A** and Panel **C**. There are pre-drilled holes to help guide you.
- 7 Slide Panel **I** into the slots on side of unit. Make sure the two Pilot holes are facing the bottom. Tap the two plastic Glides **9** into the Pilot holes AFTER THE SHELF IS FULLY INSERTED IN THE SLOTS. (See **Diagram E**)

DIAGRAM "D"

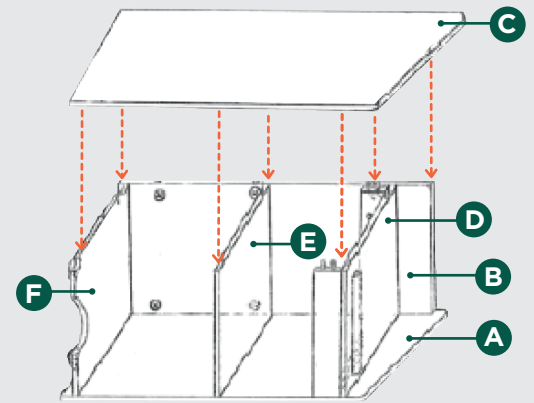
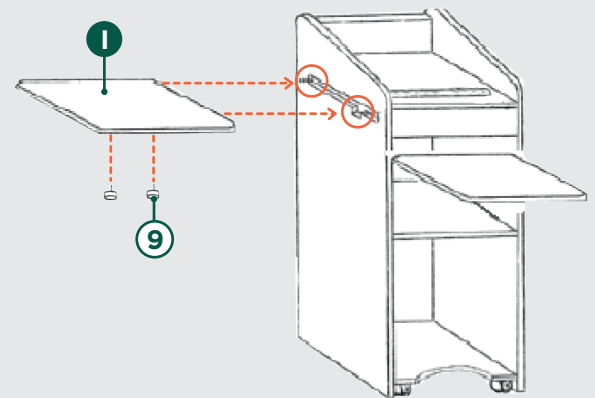
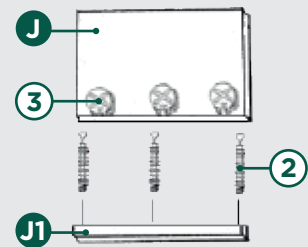


DIAGRAM "E"

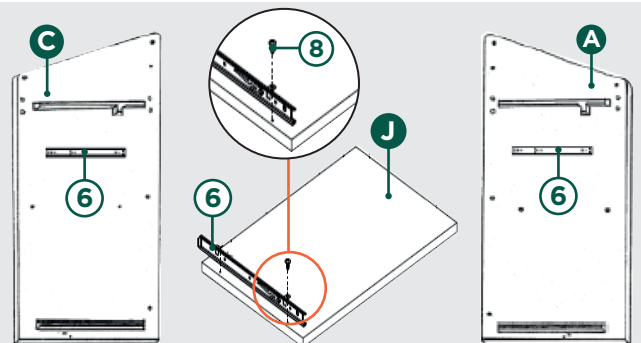


KEYBOARD INSTALLATION

- 8
 - A. Install three Cam Locks **3** into the three pre-drilled holes with the Cam Locks Arrows facing the holes.
 - B. Install the three Cam Bolts **2** into the Keyboard Lips **J1** pre-drilled holes.
 - C. Align the Cam Bolts with the Cam Locks and fasten using Phillips Screwdriver **10**. (See **Figure 1**)



- 8-1 Extend the pre-installed Keyboard Sliders **6** on Panels **A** and **C**, and attach them to the Keyboard tray (Panel **J**) using three Screws **8** on each side.



Double check all Bolts and Screws to be tightened securely before use. Check all Bolts and Screws periodically. Failure to completely tighten the Bolts and Screws may result in tipping and possible injury!

Congratulations, your **ARISTOCRAT NON SOUND LECTERN** is now assembled and ready to be used!

Dear Customer, Thank you for your purchase. Although extreme care goes into manufacturing & packaging of this product, mistakes are possible. If you encounter any missing parts or difficulty in assembly, please contact our customer service Toll Free at 1-800-261-4112 or info@nationalpublicseating.com for courteous & immediate resolution to your problem.