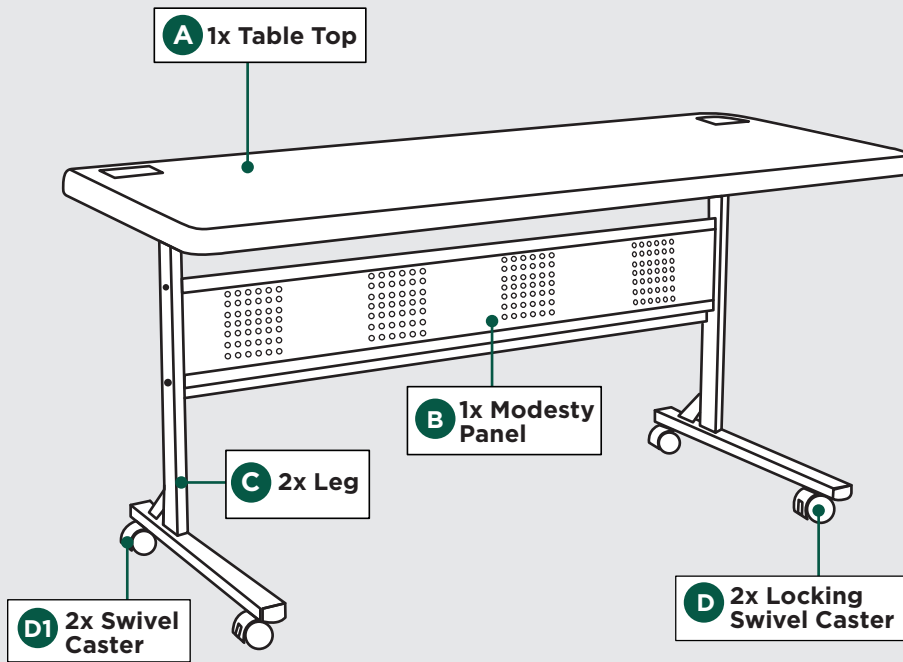
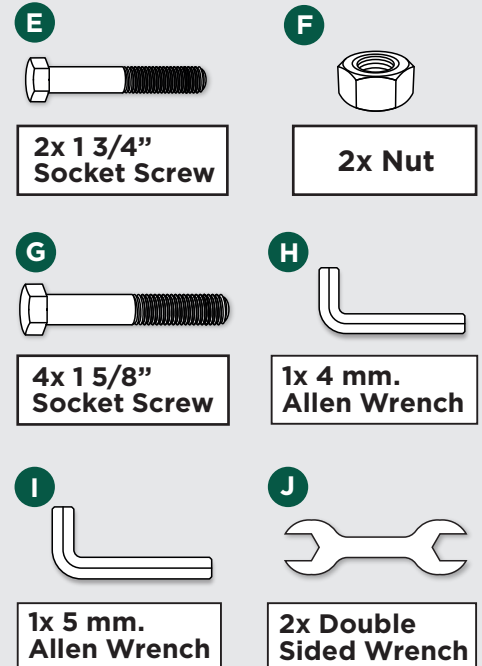


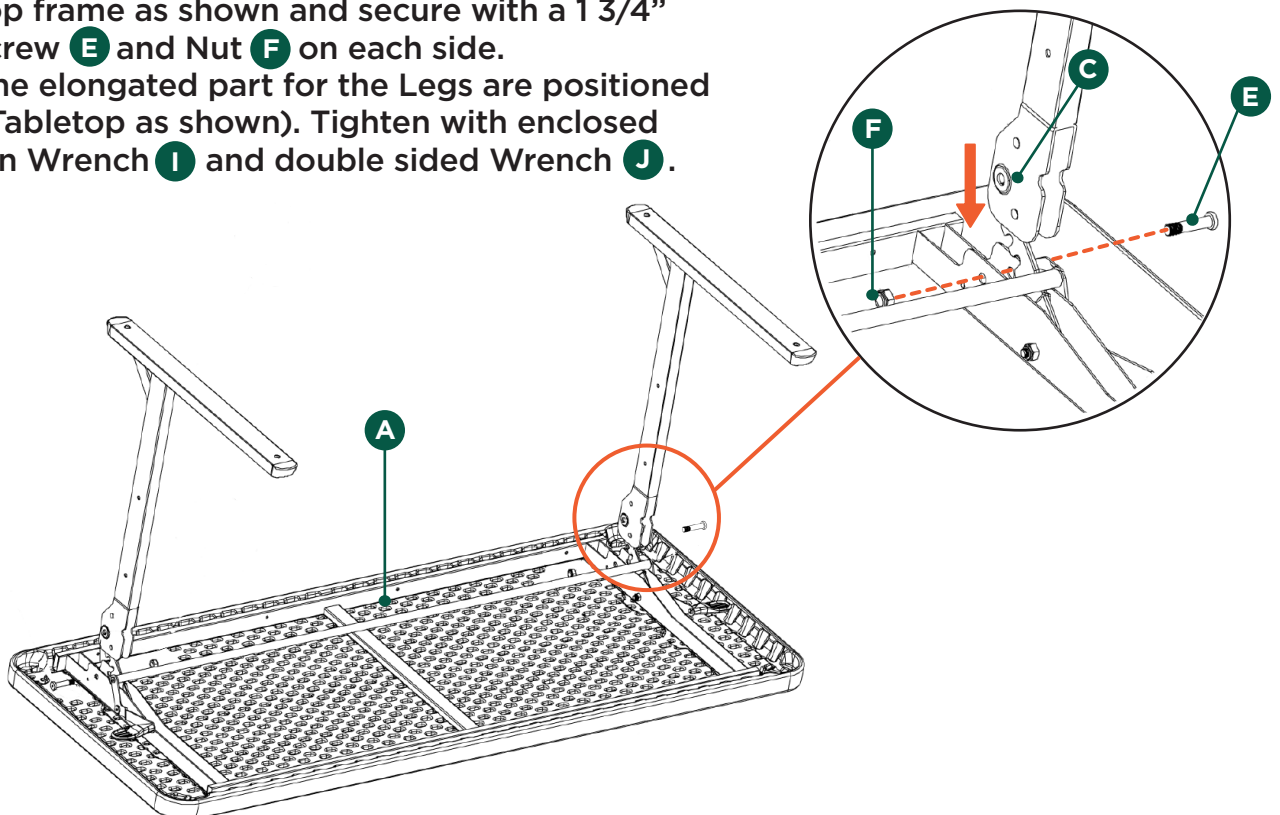
FLIP-N-STORE TABLE COMPONENTS



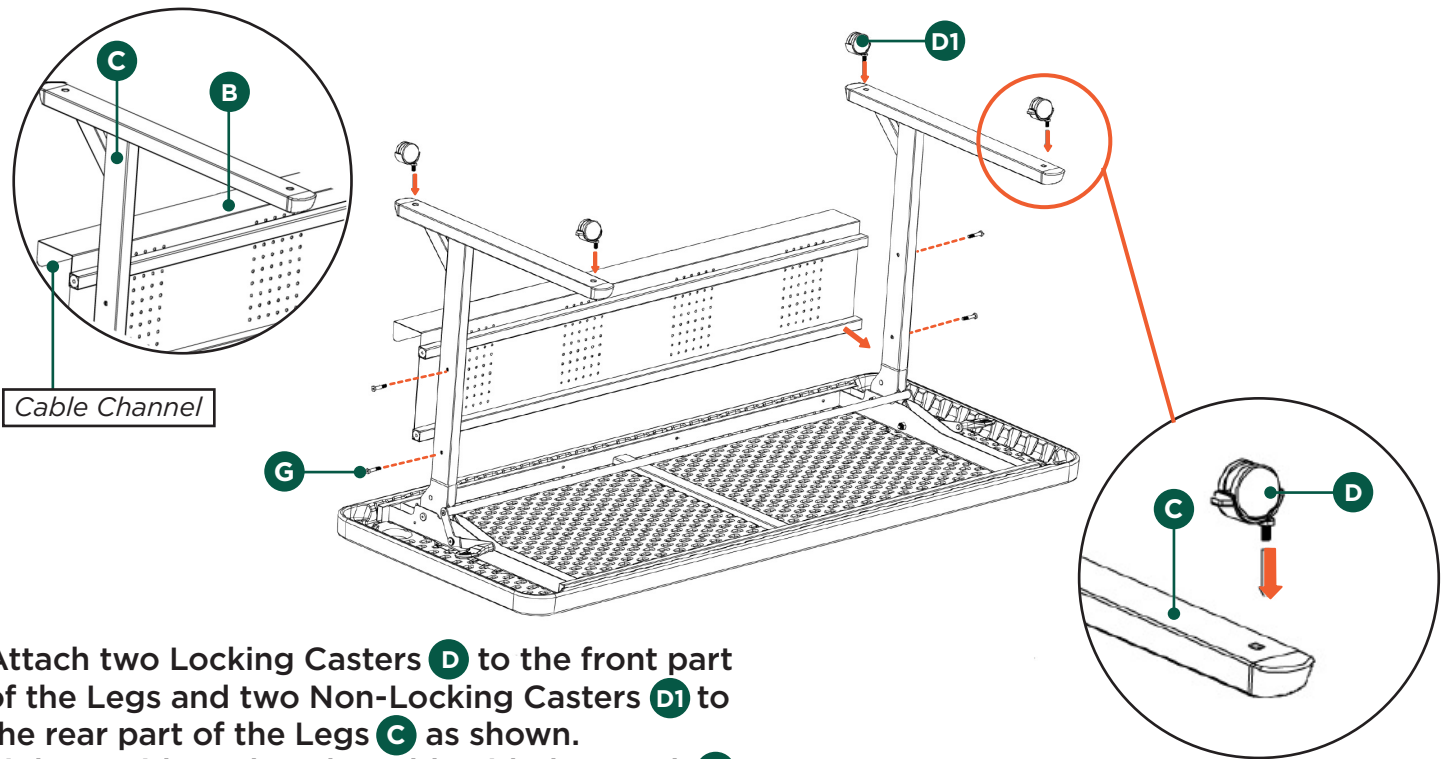
INCLUDED HARDWARE



- Place Tabletop **A** frame side up on a clean surface. Depress the lever on the Tabletop locking mechanism to release the Lock. Align holes in Legs **C** with holes in Tabletop frame as shown and secure with a 1 3/4" Socket Screw **E** and Nut **F** on each side. (Ensure the elongated part for the Legs are positioned over the Tabletop as shown). Tighten with enclosed 5mm Allen Wrench **I** and double sided Wrench **J**.

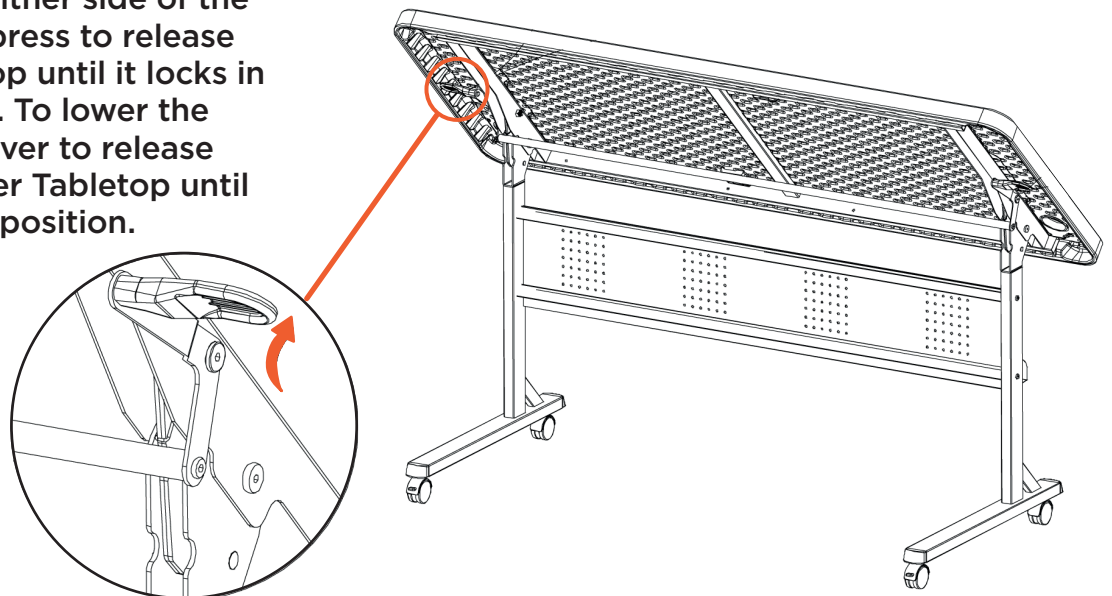


- 2** Using enclosed 4mm Allen Wrench **H**, attach Modesty Panel **B** to Legs **C** with four Socket Screws **G**. If you want the Modesty Panel to be seen, then make sure that the Cable Channel is facing away from the elongated part of the Leg as shown. If you want it to be hidden, then face it in the direction of the elongated part of the Leg.



- Attach two Locking Casters **D** to the front part of the Legs and two Non-Locking Casters **D1** to the rear part of the Legs **C** as shown. Tighten with Enclosed Double Sided Wrench **J**.

- 3** Grasp the lever on either side of the Tabletop **A** and depress to release Lock and lift Tabletop until it locks in the upright position. To lower the Tabletop, depress lever to release lock and gently lower Tabletop until it locks in the down position.



Double check all Screws to be tightened securely before use. Check all Screws periodically. Failure to completely tighten the Screws may result in tipping and possible injury!

Congratulations, your FLIP-N-STORE TABLE is now assembled and ready to be used!

Dear Customer, Thank you for your purchase. Although extreme care goes into manufacturing & packaging of this product, mistakes are possible. If you encounter any missing parts or difficulty in assembly, please contact our customer service Toll Free at 1-800-261-4112 or info@nationalpublicseating.com for courteous & immediate resolution to your problem.