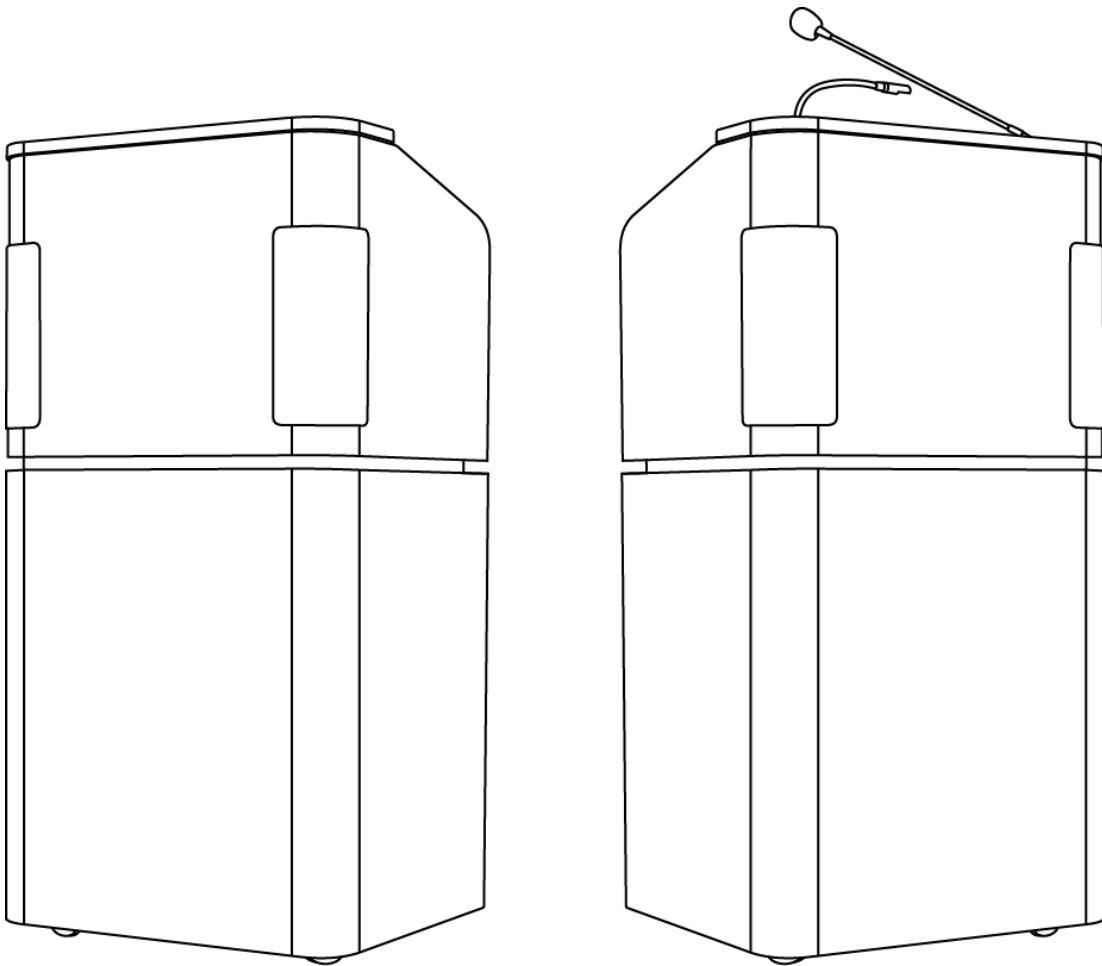




Veneer Contemporary Lectern 900 Series

PRODUCT HANDBOOK



MODEL #910/901

MODEL #950/901

SERIES 900 VENEER CONTEMPORARY LECTERN

Lecterns are constructed of plywood and hardwood for strength and rigidity. Makes a strong design statement while blending with almost any decor. Presents a stately and sophisticated appearance that works well in corporate or executive offices. Appealing curvilinear design makes it suitable for conference rooms, and training rooms.

CARE OF YOUR CABINET

All exterior and interior exposed surfaces are veneer covered as well as edges in matching patterned veneer material. To refresh the appearance, wipe the surface with a cloth soaked lightly in furniture oil. Avoid speaker grill area. Your cabinet will look as good as new.

MODEL #910 / 901 NON-SOUND TABLE LECTERN

Rich Veneer Lectern on Plywood Core in Contemporary/ Transitional style commands a dignified presence. Modern stylistic radius curves and contoured edging. Reading Lamp illuminates generous reading surface large enough for 3 ring binder. Digital timepiece included. Mahogany on Walnut. Reading surface 22"W x 14"L. One shelf 9"H x 11"L x 23"W. Total Height 22".

Rich Veneer Lectern Base on Plywood core in Contemporary/Transitional style Rich Veneer Lectern Top to a full floor Lectern commanding a dignified presence. Modern stylistic radius curves. Two locking doors conceal an Adjustable Shelf with five adjustment levels. Fingertip cutouts for easy door opening. Rolls easily on four furniture grade casters. Mahogany on Walnut. Two shelves. Each 11"H x 16"D x 22"L. Total Height 26.5".

MODEL #950 / 901 TABLE LECTERN WITH SOUND

Rich Veneer Amplified Sound Lectern on Plywood Core in Contemporary. Transitional style commands a dignified presence. Modern stylistic radius curves and contoured edging. Custom built in 75 watt Multimedia Amplifier Sound System broadcasts for audiences up to 7500 people or 75,000 sq. ft. Four 4-inch speakers mounted directly on radius corners with radius style grille, contribute to the Luxurious appearance and afford high quality audio amplification. Multimedia capabilities include capacity for two microphones and one wireless user. Inputs for tape and CD and extension speaker and recording outputs. Reading Lamp illuminates generous reading surface large enough for 3 ring binder. Digital timepiece included. Mahogany on Walnut. When placed on #901 Base, Total Height 49". One shelf each 9"H x 11"L x 23"W.

Specifications (Model #950)

- Power Output 75 Watt
- Microphones 2 condenser types: Surface Mounted 24" Gooseneck & Tie Clip with 10" cable.
- Speakers Four 4" High Efficiency Speakers.
- Input 2 Mics, 1 Aux./Wireless
- Output Line out 1-Extension Speaker, Line out 2-Tape Recorder.
- Controls Four Volume, Bass/Treble, On/Off Fuse Internally Mounted, 2A
- Power Supply 117 Volt AC; 12 V DC w/Optional Battery
- Recharger Internally mounted; with LED indicator.
- Dimensions 47"H x 22"W x 18"D



900 SERIES AMPLIFIER OPERATING INSTRUCTIONS

Operating Precautions

Before operating the amplifier, be sure you fully understand all instructions and features of the amplifier. DO NOT turn amplifier on until all input and output connections have been made. NEVER replace fuses unless power is off.

Microphone Input Connection

The microphone input accepts 1/4" phone jack. Do not position microphone next to or facing speakers. This may cause acoustic feedback.

Auxiliary Input

One auxiliary input is provided for radio tuner, tape recorder, CD player or multi-media equipment. Output level is adjusted by the auxiliary volume control.

Tone / Equalization Controls

The Low and High frequency controls are similar to the bass and treble controls found on most stereo systems. Optimum tone is achieved by first setting both knobs halfway; adjust Low and High frequency controls to suit environment.

Auxiliary / Line Out

Connect additional speaker line to navy line out connector of the amplifier. For maximum power transfer and to avoid amplifier overload, be sure that the total impedance of the speaker line matches the output impedance setting on amplifier. Be sure that speaker terminals are not shorted together by speaker line connecting cables. Can also be used for a recording device.

Power Supply 12V DC Operation

Connect a 12 volt rechargeable battery 5 amp (not included) to the battery input connector located on the panel of the amplifier (using 6' battery cable). Note the positive line is equipped with an in-line fuse, as this is the only polarity identifier. Be sure that the positive line (in-line fuse) is connected to the positive pole of the battery (Red terminal) and the negative line (no fuse) is connected to the negative pole (Black terminal). When lectern is plugged into a standard wall outlet, the battery will automatically recharge. Green indicator light illuminates during recharge mode.

Precautions

- Set Mic volume control on lowest when turning unit on.
- Insure correct polarity for D.C. supply connections.
- Reverse connection will blow the fuse and may damage internal circuitry.
- Always replace fuse with specified rating.

Removal and Installation of Amplifier

If your amplifier has to be removed for servicing — follow these simple steps:

- 1) Disconnect A/C wall plug.
- 2) Remove 4 side screws two on each side panel under amp top.
- 3) Disconnect speaker wire at rear of amplifier.
- 4) Pack it into a strong box with ample cushioning and return to factory.
- 5) To install new amplifier reverse the above procedure.

OPTIONAL / ADDITIONAL EQUIPMENT

Your lectern includes two corded microphones.
For complete freedom of movement, use any of these wireless systems.



HAND-HELD WIRELESS MIC / LWM-5

This wireless hand-held mic uses a 9-volt battery. Select channel A or B to eliminate outside frequency interruption. Move freely up to 200 ft. away!



TIE-CLIP LAVELIER WIRELESS MIC / LWM-6

Includes pocket-size transmitter with a clip-on mic. Uses a 9-volt battery. Select channel A or B to eliminate outside frequency interruption. Move freely up to 200 ft. away!



HEADSET WIRELESS MIC / LWM-7

Includes pocket-size transmitter with a headset mic. Uses a 9-volt battery. Select channel A or B to eliminate outside frequency interruption. Move freely up to 200 ft. away!

For these products, please contact your dealer or Oklahoma Sound.

Manufacturers Warranty

Our Lecterns undergo the most rigid and exacting tests for superior quality and performance before leaving the factory. Oklahoma Sound Corporation warrants this product to be free from defective material and workmanship on the electronic product speakers and microphones for five years from the date of resale by an authorized Oklahoma Sound distributor. Oklahoma Sound will replace defective parts and repair malfunctioning products under this warranty when the defect occurs under normal installation and use, provided the unit is returned to our factory via prepaid transportation after direct authorization and approval by Oklahoma Sound. This warranty provides that examination of the returned product must disclose in our judgement, a manufacturing defect. This warranty does not extend to any product which has been subject to misuse, neglect, accident, improper installation, or where the serial number has been removed or defected and is given in lieu of any other warranty implied or expressed and will not cover any consequential damages.

OKLAHOMA SOUND

149 Entin Road, Clifton, NJ 07014

Tel 973-594-9000 • Fax 973-594-9339

www.oklahomasound.com • email: info@oklahomasound.com