



TAVANNES MANUFACTURE Co

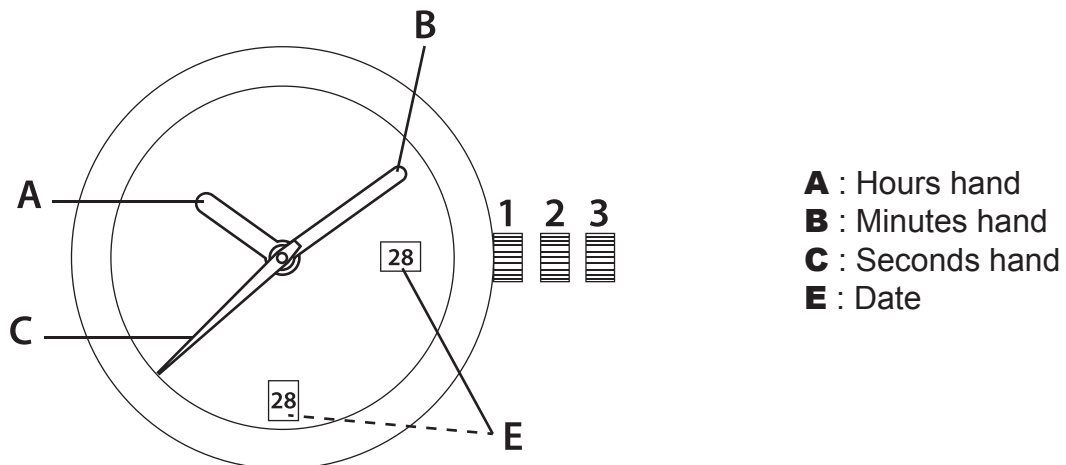


TWC  
TAVANNES WATCH Co  
Est. 1891

35  
TAVANNES TA-VAN  
Est. 1891



## AUTOMATIC MOVEMENTS - HOUR, MINUTE, SECONDE and DATE



**A** : Hours hand  
**B** : Minutes hand  
**C** : Seconds hand  
**E** : Date

### SETTING PROCEDURE

Setting the time

1. Pull the crown to Position 3.
2. Turn the crown to advance the hands (A, B) clockwise and position them at the desired time.

Note: When the hands pass the numeral 12, if the date changes, it means it is midnight and if the date does not change it means it is noon.

3. When the start of the set time is announced (reference clock, radio, etc.), reset the crown to Position 1.

Rapid date change

1. Pull the crown to Position 2.
2. Turn the crown to advance the date (E) chronologically, until the desired date appears.
3. Reset the crown to Position 1.

For months with less than 31 days, the date must be changed manually at the end of the month.



TAVANNES MANUFACTURE Co



TWC  
TAVANNES WATCH Co  
Est. 1891

TAVANNES TA-VAN  
Est. 1891



## WINDING

An automatic or self-winding mechanical watch has a sophisticated mechanism which winds it up automatically thanks to the movements of the wearer's wrist.

When fully wound, your automatic watch has a power reserve of approximately 40 hours. The accumulated power reserve enables the watch to run throughout the night and still possess a comfortable margin of autonomy.

Nevertheless, if you have not worn your watch for several days, it will stop or will have insufficient power reserve to ensure optimal accuracy, which is reached when the watch is fully wound. In this case, before using it again, we suggest you wind it manually with about 20 clockwise turns of the crown to ensure that it will operate perfectly in all conditions. After wearing your watch for several hours, depending on your activity level, the watch will be perfectly wound.

Note:

- The efficiency of the self-winding process is directly linked to the motion of the wearer's wrist. In case of insufficient movements, the watch may stop even while being worn. In this case, we recommend to preventively wind the watch manually with about 20 clockwise turns of the crown.

Also, the watchband must be correctly fitted to the wearer's wrist: if the watchband is too loose, the watch may not wind itself correctly.

- The watch should be removed from your wrist before winding it. This ensures the crown stem remains completely straight during winding and avoids the risk of damaging the crown or the movement.

- Do not deliberately shake a self-winding watch in order to wind it. This is ineffective and could damage the movement.

- Even if your watch is not worn for several months we advise you to regularly wind it manually. This will prevent the oils from either congealing or flowing over the shafts of the movement.

## GENERAL INFORMATION

Care recommendations

Your Tavannes Watch Co. watch was both designed and manufactured with great care. Please read our recommendations for use and care on [www.tavannes-watch.swiss](http://www.tavannes-watch.swiss).

International warranty

Your Tavannes Watch Co. watch is covered by the Tavannes Watch Co. International Warranty.

The conditions of the Tavannes Watch Co. International Warranty are available on [www.tavannes-watch.swiss](http://www.tavannes-watch.swiss).

Other information

If you have any questions, please visit our website [www.tavannes-watch.swiss](http://www.tavannes-watch.swiss).

You can also contact our authorized retailers in your country (list available on our website [www.tavannes-watch.swiss](http://www.tavannes-watch.swiss)) or contact us directly via our website using the contact form.

**Setting procedure – Automatic - hour, minute, centre seconds, date**