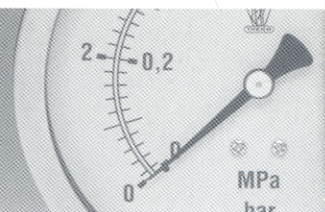
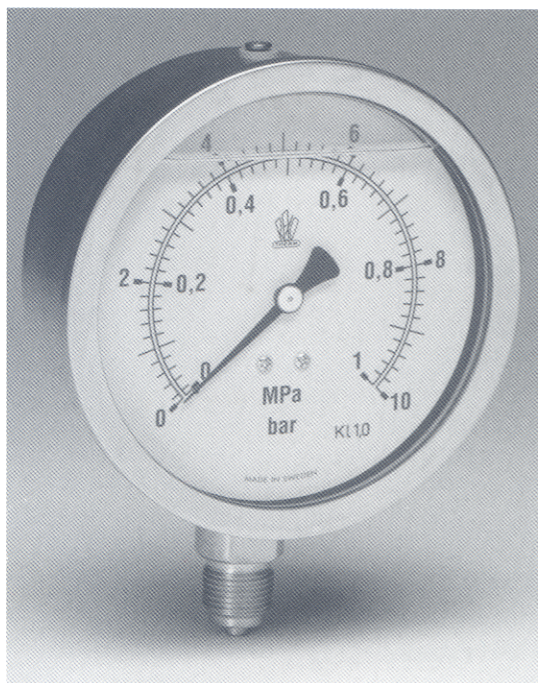


# Pressure Gauge RX-2010-100

Stainless, Liquid filled class 1,0



 **REXOTHERM**



## Design

- Acc. to European Norm EN 837-1:1998.
- Accuracy class 1,0.
- To operate up to 100% of scale at constant pressure.
- Heavy duty movement and bourdon.
- Blow out device.
- Degree of protection IP65.

## Application

The gauge is suitable for measurement of pressure of liquids and gases including conditions of severe vibration. With stainless steel bourdon suitable for corrosive conditions.

## Accessories

Diaphragm seals  
Check valves  
Syphons  
Alternative thread sizes  
Restrictor screw to dampen pressure surge

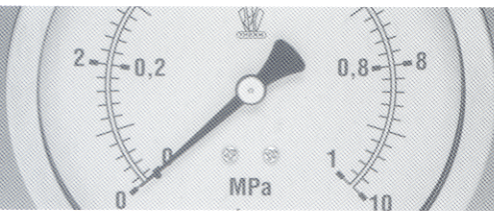
## Pressure Ranges

- 1-0 bar/psi	0-10 bar/psi
-1-0-0,6 bar/psi	0-16 bar/psi
-1-0-1,5 bar/psi	0-25 bar/psi
-1-0-3 bar/psi	0-40 bar/psi
-1-0-5 bar/psi	0-60 bar/psi
-1-0-9 bar/psi	0-100 bar/psi
-1-0-15 bar/psi	0-160 bar/psi
0-0,6 bar/psi	0-250 bar/psi
0-1 bar/psi	0-400 bar/psi
0-1,6 bar/psi	0-600 bar/psi
0-2,5 bar/psi	0-1000 bar/psi
0-4 bar/psi	

Type No.	Connection	Mounting
RX-2010	bottom	direct
RX-2015	bottom	back flange for surface mounting
RX-2011	back	direct
RX-2017	back	clamp fixing for flush mounting

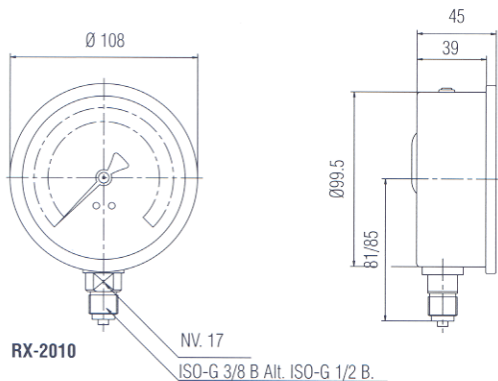
Measuring System: C-type, bronze, soldered brass connection  
C-type, all stainless, welded up to 100 bar  
Above 100 bar screw type, stainless AISI 316, welded bourdon

Connection standard: G 3/8 B  
G 1/2 B

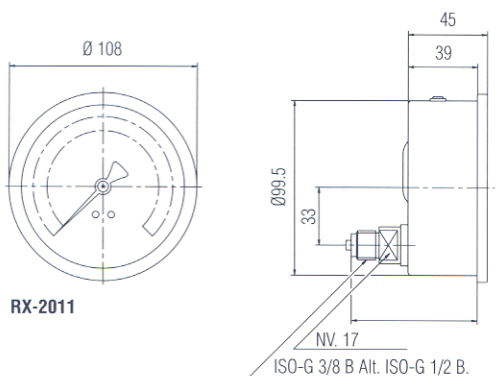


# Technical Data

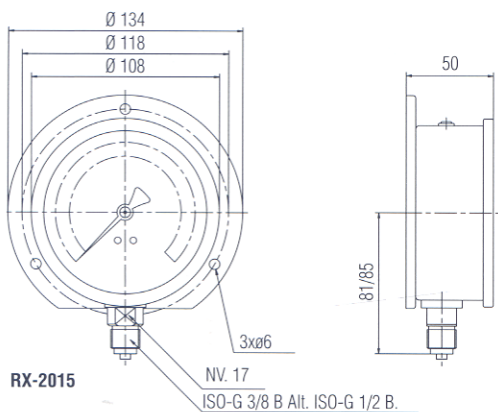
## RX-2010-100



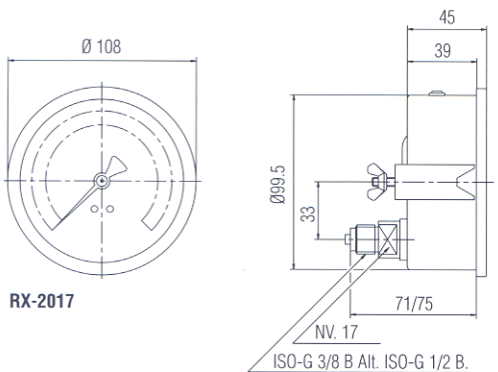
RX-2010



RX-2011



RX-2015



RX-2017

### Measuring System/Material

Liquid dampened.  
C-type bronze/C-type stainless bourdon up to 100 bar.  
Above 100 bar screw type stainless steel AISI 316 welded bourdon.

### Movement

Stainless steel.

### Dial

Concentric scale, white dial and black markings.

### Units of measurement

Gauges are supplied as standard with dual scale bar/psi.  
Single scale in bar only can be supplied.  
See table overleaf for standard ranges.

### Accuracy

+1% of scale.

### Load Capacity

Max. load: 100% of range for static working pressure  
88% of range for cyclic pressure  
Overload: Up to 130% of scale for temporary surge

### Casing

Stainless steel AISI 304. Glycerine filled.  
Complete with valve and blow out device.

### Window

Lexan 121R, Polycarbonate.

### Mounting

See table overleaf and drawings at side.

### Connection

G 3/8 B, G 1/2 B standard.

### Working Temperature

Max. +100°C for stainless steel.  
+ 70°C for bronze.

### Weight

Approx. 0,8 kg.