



Oras

Installation and maintenance guide



SPECIAL INFORMATION
OPERATION

1	GENERAL INFORMATION	4
1.1	Safety instructions	4
1.2	Other symbols in this documentation	4
1.3	Units of measurement	4
2	SAFETY	5
2.1	Intended use	5
2.2	General safety instructions	5
2.3	Test symbols	5
3	APPLIANCE DESCRIPTION	6
3.1	Operation	6
4	CLEANING, CARE AND MAINTENANCE	6
5	TROUBLESHOOTING	7

INSTALLATION

6	SAFETY	8
6.1	General safety instructions	8
6.2	Instructions, standards and regulations	8
7	APPLIANCE DESCRIPTION	8
7.1	Standard delivery	8
8	PREPARATIONS	8
8.1	Installation site	8
9	INSTALLATION	9
9.1	Appliance installation	9
9.2	Water connection	9
9.3	Power supply	10
10	COMMISSIONING	10
10.1	Initial start-up	10
10.2	Recommissioning	11
11	SHUTDOWN	11
12	TROUBLESHOOTING	11
13	MAINTENANCE	11
13.1	Draining the appliance	11
14	SPECIFICATION	12
14.1	Dimensions and connections	12
14.2	Wiring diagram	13
14.3	Heat-up diagram	13
14.4	Country-specific approvals and certifications	13
14.5	Extreme operating and fault conditions	13
14.6	Details on energy consumption	13
14.7	Data table	14

- The appliance may be used by children aged 8 and older and persons with reduced physical, sensory or mental capabilities or a lack of experience and know-how, provided that they are supervised or they have been instructed on how to use the appliance safely and have understood the resulting risks. Children must never play with the appliance. Children must never clean the appliance or perform user maintenance unless they are supervised.
- When permanently connected to the power supply using a dedicated junction box, the appliance must be able to be isolated from the mains power supply by an isolator that disconnects all poles with at least 3 mm contact separation.
- The power cable may only be replaced (for example if damaged) by a qualified contractor authorised by the manufacturer, using an original spare part.
- Never connect the appliance via a time switch.
- Secure the appliance as described in chapter "Installation / Installation".
- During heating, expansion water drips from the tap outlet.
- The appliance must only be installed with an open (non-pressurised) tap.
- Never subject the appliance to water pressure.
- The tap outlet has a vent function. Scale build-up can block the outlet and subject the appliance to pressure.
- Never seal the tap outlet.
- Only use special aerators for non-pressurised water heaters.
- Never extend the tap outlet with a hose.
- Drain the appliance as described in chapter "Installation / Maintenance / Draining the appliance".

1 GENERAL INFORMATION

The chapters "Special Information" and "Operation" are intended for both the user and qualified contractors.

The chapter "Installation" is intended for qualified contractors.



Note

Read these instructions carefully before using the appliance and retain them for future reference.

Pass on the instructions to any new user where appropriate.

1.1 Safety instructions

1.1.1 Layout of safety instructions



KEYWORD Type of risk

Here, possible consequences are listed that may result from failure to observe the safety instructions.

» Steps to prevent the risk are listed.

1.1.2 Symbols, type of risk

Symbol	Type of risk
	Injury
	Electrocution
	Burns (burns, scalding)

1.1.3 Keywords

KEYWORD	Meaning
DANGER	Failure to observe this information will result in serious injury or death.
WARNING	Failure to observe this information may result in serious injury or death.
CAUTION	Failure to observe this information may result in non-serious or minor injury.

1.2 Other symbols in this documentation



Note

General information is identified by the adjacent symbol.

» Read these texts carefully.

Symbol	
	Material losses (appliance damage, consequential losses and environmental pollution)
	Appliance disposal

» This symbol indicates that you have to do something. The action you need to take is described step by step.

1.3 Units of measurement



Note

All measurements are given in mm unless stated otherwise.

2 SAFETY

2.1 Intended use

This open vented (non-pressurised) appliance is designed for heating domestic hot water. The appliance can supply one draw-off point.

This appliance is intended for domestic use. It can be used safely by untrained persons. The appliance can also be used in a non-domestic environment, e.g. in a small business, as long as it is used in the same way.

Any other use beyond that described shall be deemed inappropriate. Observation of these instructions and of instructions for any accessories used is also part of the correct use of this appliance. Any changes or modifications to this appliance void all warranty rights.

2.2 General safety instructions



WARNING Burns

During operation, the tap can reach temperatures in excess of 60 °C. There is a risk of scalding at outlet temperatures in excess of 43 °C.



WARNING Injury

Only a qualified contractor is permitted to remove the temperature selector.



WARNING Injury

The appliance may be used by children aged 8 and older and persons with reduced physical, sensory or mental capabilities or a lack of experience and know-how, provided that they are supervised or they have been instructed on how to use the appliance safely and have understood the resulting risks. Children must never play with the appliance. Children must never clean the appliance or perform user maintenance unless they are supervised.



Material losses

The user should protect the appliance, the water pipes and the tap against frost.



Material losses

Never subject the appliance to water pressure. The tap outlet has a vent function. Scale build-up can block the outlet and subject the appliance to pressure.

- » Operate the appliance only with an open (non-pressurised) tap.
- » Never seal the tap outlet.
- » Only use special aerators for non-pressurised water heaters.
- » Never extend the tap outlet with a hose.



Material losses

Connecting the appliance via a time switch will cause an unintentional reset of the high limit safety cut-out.

- » Never connect the appliance to the power supply via a time switch.

2.3 Test symbols

See type plate on the appliance.

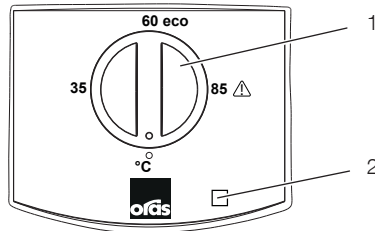
3 APPLIANCE DESCRIPTION

The open vented (non-pressurised) appliance constantly maintains the water content at the pre-selected temperature. The appliance switches on automatically as soon as its temperature falls below the set value. During heating, expansion water drips from the tap. The appliance must only be installed with taps suitable for open vented (non-pressurised) water heaters.

Subject to season, different maximum amounts of mixed water and outlet capacities can result from varying cold water temperatures.

3.1 Operation

You can set any required DHW outlet temperature at the temperature selector. The heat-up indicator illuminates during the heat-up process.



- 1 Temperature selector
- 2 Heat-up indicator

Depending on the system, the actual temperatures may vary from the set value.

°C Cold. On this setting, the appliance is protected from frost. The tap and the water line are not protected.

eco Recommended energy saving setting (approx. 60 °C), minor scaling

85 Highest selectable temperature

4 CLEANING, CARE AND MAINTENANCE

- » Never use abrasive or corrosive cleaning agents. A damp cloth is sufficient for cleaning the appliance.
- » Check the tap regularly. You can remove limescale deposits at the tap outlet using commercially available descaling agents.

Almost every type of water will deposit lime at high temperatures. This settles inside the appliance and affects both the performance and service life. The heating elements should therefore be descaled if necessary. A qualified contractor who is aware of the local water quality will tell you when the appliance should next be descaled.

5 TROUBLESHOOTING

Problem	Cause	Remedy
The appliance does not supply hot water.	The temperature selector is set to "°C".	Switch the appliance ON by turning the temperature selector.
	No power at the appliance.	Check the plug and the fuses/MCBs in the fuse box/distribution panel.
Water can only be drawn at a reduced rate.	Litter filter and / or flow limiter is dirty.	Clean the litter filter and the flow limiter.
Loud boiling noises inside the appliance.	The appliance is scaled up.	Have the appliance descaled by a qualified contractor.

If you cannot remedy the fault, notify your qualified contractor. To facilitate and speed up assistance, please provide the numbers from the type plate.

Type: ORAS 5



O-No. 601680

S-No. 234013

F-No. 0000 - 000000

D0000041686

6 SAFETY

Only a qualified contractor should carry out installation, commissioning, maintenance and repair of the appliance.

6.1 General safety instructions

We guarantee trouble-free function and operational reliability only if original accessories and spare parts intended for the appliance are used.

6.2 Instructions, standards and regulations



Note

Observe all applicable national and regional regulations and instructions.

7 APPLIANCE DESCRIPTION

The open vented (non-pressurised) appliance is only suitable for undersink installation. The appliance is intended to heat cold water and supply it to a single draw-off point. The appliance must only be installed with an open (non-pressurised) tap.

7.1 Standard delivery

Delivered with the appliance are the following:

- Wall mounting bracket

8 PREPARATIONS

- » Flush the water line thoroughly.

Water installation

A safety valve is not required.

Taps/valves

Sealed unvented taps are not permitted.

- » Install an open vented tap.

8.1 Installation site



Material losses

Install the appliance in a room free from the risk of frost.

- » If dismantled, store the appliance in a room free from the risk of frost, as water residues remaining inside the appliance can freeze and cause damage.



Material losses

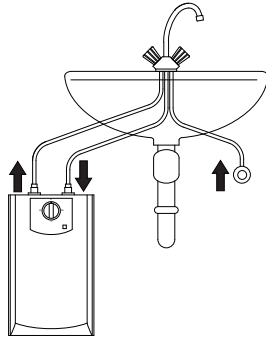
Mount the appliance on the wall. The wall must have a sufficient load-bearing capacity.



Note

The appliance is only suitable for undersink installation. The water connections of the appliance point upwards.

Always install the appliance vertically and near the draw-off point.



D0000048988

9 INSTALLATION

9.1 Appliance installation

- » Mark out the holes to be drilled on the wall (see chapter "Installation / Specification / Dimensions and connections").
- » Drill the holes and insert suitable rawl plugs.
- » Secure the wall mounting bracket using suitable screws.
- » Hang the appliance on the wall mounting bracket.

9.2 Water connection



Material losses

Carry out all water connection and installation work in accordance with regulations.



Material losses

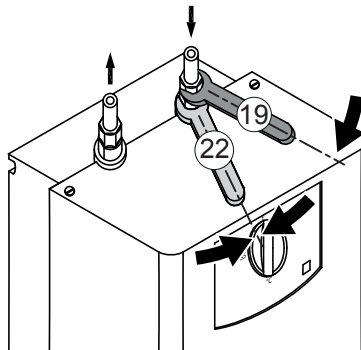
The appliance may develop a leak and cease functioning. A leaky appliance can result in water damage.

- » Never subject the appliance to water pressure.
- » Never interchange the water connections.
- » Set the flow rate (see tap instructions). Observe the maximum permissible flow rate with a fully opened tap (see chapter "Installation / Specification / Data table").



Material losses

Counterhold with a suitable spanner when tightening fittings.



D0000049045

Match up the colour coding on the tap water connections and the appliance:

- R.h. side blue = "Cold water inlet"
- L.h. side red = "DHW outlet"
- » Secure the water connections from the tap to the appliance.



Note

Ensure that the water connections are not kinked during installation. Prevent any tensioning during installation.

9.3 Power supply



WARNING Electrocutation

Carry out all electrical connection and installation work in accordance with relevant regulations.



WARNING Electrocutation

When permanently connected to the power supply using a dedicated junction box, the appliance must be able to be isolated from the mains power supply by an isolator that disconnects all poles with at least 3 mm contact separation.



WARNING Electrocutation

Ensure that the appliance is earthed.



Material losses

The voltage specified on the type plate must match the mains voltage.
» Observe the type plate.

The following electrical connections are permissible:

	Oras 5
Connection to a freely accessible standard socket with matching plug	X
Permanent connection to an appliance junction box with earth conductor	X

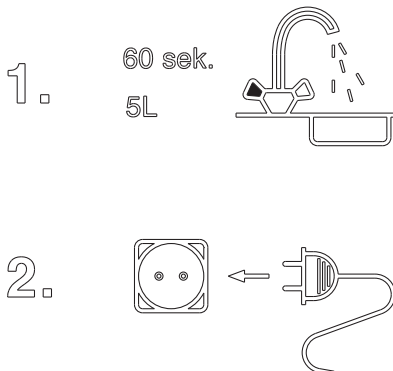
10 COMMISSIONING



WARNING Electrocutation

Commissioning may only be carried out by a qualified contractor in accordance with safety regulations.

10.1 Initial start-up



- » Either open the DHW valve of the tap or set the mono lever mixer tap to "hot" until the water that flows out is free of air bubbles.
- » Insert the plug into the standard socket or set the fuse/MCB in the fuse box.
- » Select a temperature.
- » Check the entire hydraulic installation for tightness.



Note

If you fail to follow the correct sequence (first water, then power), the high limit safety cut-out will trip.

Proceed as follows:

- » Disconnect the appliance from the power supply.
- » Fill the appliance with water.
- » Connect the appliance to the power supply.

10.1.1 Appliance handover

- » Explain the functions of the appliance to the user. Show the user how to operate the appliance.
- » Make the user aware of potential dangers, especially the risk of scalding.
- » Hand over these instructions and, if applicable, the instructions for any accessories.

10.2 Recommissioning

See chapter "Installation / Commissioning / Initial start-up".

11 SHUTDOWN

- » Isolate the appliance from the power supply by removing the plug or by tripping the MCB in the fuse box.
- » Drain the appliance (see chapter "Installation / Maintenance / Draining the appliance").

12 TROUBLESHOOTING

Fault	Cause	Remedy
The appliance does not supply hot water.	The high limit safety cut-out has responded.	Remedy the cause of the fault. If necessary, replace the temperature controller. Allow the appliance to cool down. If you have isolated the appliance from the power supply, the high limit safety cut-out will be reset automatically.
Loud boiling noises inside the appliance.	The appliance is scaled up.	Descale the appliance.

13 MAINTENANCE



WARNING Electrocutation

Before any work on the appliance, disconnect all poles of the appliance from the power supply.

- » Dismantle the appliance for maintenance work.

13.1 Draining the appliance



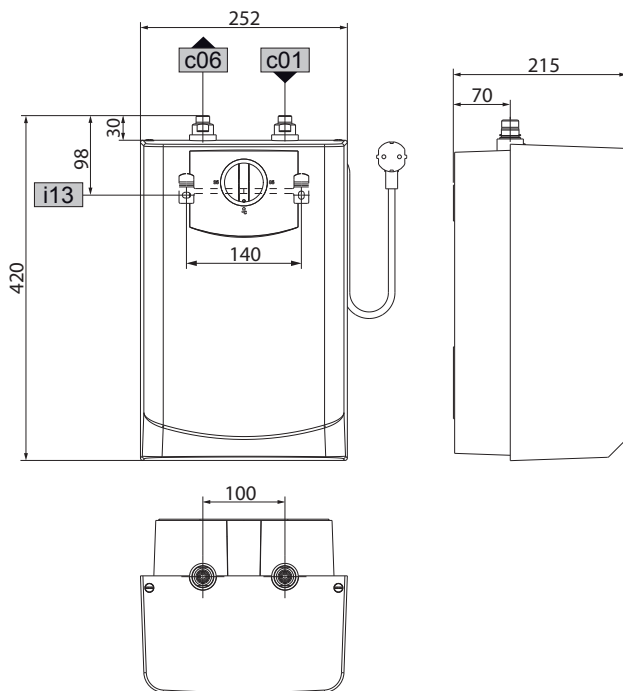
WARNING Burns

Hot water may escape during the draining process.

- » Drain the appliance via its connectors.

14 SPECIFICATION

14.1 Dimensions and connections

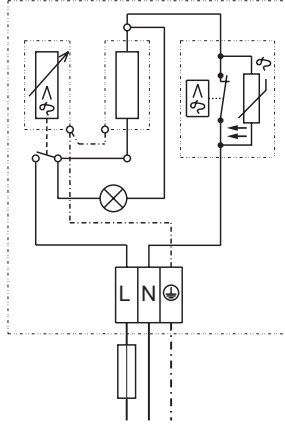


D0000041660

		Oras 5
c01	Cold water inlet	Male thread G 3/8 A
c06	DHW outlet	Male thread G 3/8 A
i13	Wall mounting bracket	

14.2 Wiring diagram

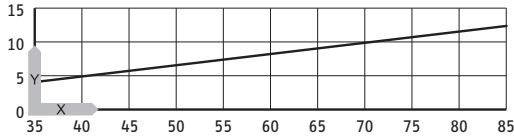
1/N/PE ~ 230 V



85_02_06_0001

14.3 Heat-up diagram

The heat-up period depends on the degree of scaling and residual heat. For the heat-up time for a cold water supply at 10 °C and a maximum temperature setting, see the diagram.



D0000047175

- x Temperature in °C
- y Duration in min

14.4 Country-specific approvals and certifications

The test symbols can be seen on the type plate.

14.5 Extreme operating and fault conditions

In the case of faults, a peak temperature of up to 100 °C may briefly occur in the system.

14.6 Details on energy consumption

Product data complies with EU regulations relating to the Directive on the ecodesign of energy related products (ErP).

			Oras 5
			234013
Manufacturer			Oras
Load profile			XXS
Energy efficiency class			A
Energy conversion efficiency	%		38
Annual power consumption	kWh		489
Default temperature setting	°C		55
Sound power level	dB(A)		15
Daily power consumption	kWh		2,267

14.7 Data table

		Oras 5
		234013
Hydraulic data		
Nominal capacity	l	5
Mixed water volume 40 °C	l	10
Electrical data		
Rated voltage	V	230
Rated output	kW	2.0
Rated current	A	8.7
MCB/fuse rating	A	10
Phases		1/N/PE
Frequency	Hz	50/60
Application limits		
Temperature setting range	°C	35-85
Max. permissible pressure	MPa	0
Max. flow rate	l/min	5
Energy data		
Energy efficiency category		A
Versions		
Thermal insulation material		EPS
IP rating		IP24 D
Undersink installation		X
Type		Open
Internal cylinder material		PP
Casing material		PS
Colour		white
Connections		
Water connection		G 3/8 A
Dimensions		
Depth	mm	215
Height	mm	420
Width	mm	252
Weights		
Weight	kg	3.4

ERITYISOHJEITA

KÄYTTÖ

1	YLEISIÄ OHJEITA	17
1.1	Turvallisuusohjeet	17
1.2	Muut tässä dokumentissa käytetyt merkinnät	17
1.3	Mittayksiköt	17
2	TURVALLISUUS	18
2.1	Määräystenmukainen käyttö	18
2.2	Yleiset turvallisuusohjeet	18
2.3	Tarkastusmerkki	18
3	LAITTEEN KUVAUS	19
3.1	Käyttö	19
4	PUHDISTUS, KUNNOSSAPITO JA HUOLTO	19
5	VIANMÄÄRITYS	20

ASENNUS

6	TURVALLISUUS	21
6.1	Yleiset turvallisuusohjeet	21
6.2	Lait, normit ja määräykset	21
7	LAITTEEN KUVAUS	21
7.1	Toimituksen sisältö	21
8	VALMISTELUT	21
8.1	Asennuspaikka	21
9	ASENNUS	22
9.1	Laitteen kokoonpano	22
9.2	Vesiliitäntä	22
9.3	Sähköliitäntä	23
10	KÄYTTÖÖNOTTO	23
10.1	Ensimmäinen käyttöönotto	23
10.2	Uudelleen käyttöönotto	24
11	KÄYTÖSTÄPOISTO	24
12	VIANETSINTÄ	24
13	HUOLTO	24
13.1	Laitteen tyhjennys	24
14	TEKNISET TIEDOT	25
14.1	Mitat ja liitännät	25
14.2	Sähkökaavio	26
14.3	Lämmityskaavio	26
14.4	Maakohtaiset hyväksynnät ja todistukset	26
14.5	Vaativat käyttöolot ja häiriötilat	26
14.6	Energiankulutusta koskevat tiedot	26
14.7	Taulukko	27

- Laitetta saavat käyttää valvonnan alaisena yli 8-vuotiaat lapset ja henkilöt, joiden fyysiset, motoriset ja henkiset kyvyt tai kokemukset ja tiedot ovat puutteelliset, mikäli he ovat saaneet opastusta laitteen turvalliseen käyttöön ja ymmärtäneet käytöstä aiheutuvat vaarat. Lapset eivät saa leikkiä laitteella. Lapset eivät saa puhdistaa tai huoltaa laitetta ilman valvontaa.
- Kun laite asennetaan kiinteästi virtaverkkoon liitäntäkotelon kautta, laitteen kaikkien napojen on oltava erotettavissa verkkoliitännästä vähintään 3 mm erotusetäisyydellä.
- Jos liitäntäjohto on vaurioitumisen tai muun syyn takia vaihdettava, korvaavan komponentin on oltava alkuperäisvaraosa. Tehtävä on aina annettava valmistajan valtuuttaman ammattiasentajan tehtäväksi.
- Älä kytke laitetta ajastimen kautta.
- Kiinnitä laite luvussa "Asennus/Asennus" annettujen ohjeiden mukaisesti.
- Lämmityksen aikana hanan juoksuputkesta tippuu paisuntavettä.
- Laitteen yhteyteen saa asentaa vain avoimen (paineettoman) hanan.
- Älä altista laitetta vesijohtopaineelle.
- Hanan ulostulossa on paineenpoistojärjestely. Kalkki voi tukkia hanan juoksuputken ja aiheuttaa laitteessa paineennousua.
- Älä koskaan sulje hanan ulostuloa!
- Käytä vain paineettomiin käyttövesivaraajiin tarkoitettuja poresuuttimia.
- Älä pidennä hanan juoksuputkea letkulla.
- Tyhjennä laite luvussa "Huolto / Laitteen tyhjennys" annettujen ohjeiden mukaisesti.

1 YLEISIÄ OHJEITA

Luvut "Erityisohjeita" ja "Käyttö" on tarkoitettu laitteen käyttäjille ja ammattiasentajille. Luku "Asennus" on tarkoitettu ammattiasentajille.



Ohje

Lue tämä käyttöopas huolellisesti ennen käyttöä ja säilytä opas. Mikäli laite luovutetaan eteenpäin, anna käyttöopas seuraavalle käyttäjälle.

1.1 Turvallisuusohjeet

1.1.1 Turvallisuusohjeen rakenne



HUOMIOSANA Vaaran tyyppi
Turvallisuusohjeiden laiminlyöntien mahdolliset seuraukset.
» Vaarojen torjunta.

1.1.2 Symbolit, vaaran tyyppi

Symboli	Vaaran tyyppi
	Loukkaantuminen
	Sähköisku
	Palovamma (palovamma, nesteen aiheuttama palovamma)

1.1.3 Huomiosanat

HUOMIOSANA	Merkitys
VAARA	Ohjeet, joiden noudattamatta jättäminen aiheuttaa vakavia vammoja tai kuoleman.
VAROITUS	Ohjeet, joiden noudattamatta jättäminen voi aiheuttaa vakavia vammoja tai kuoleman.
VARO	Ohjeet, joiden noudattamatta jättäminen voi aiheuttaa keskivakavia tai lieviä vammoja.

1.2 Muut tässä dokumentissa käytetyt merkinnät



Ohje

Yleiset ohjeet on merkitty viereisellä symbolilla.
» Lue ohjetekstit huolellisesti.

Symboli	
	Aineelliset vahingot (laitevauriot, epäsuorat vahingot, ympäristöhaitat)
	Laitteen hävittäminen

» Tämä symboli kertoo, että tarvitaan toimenpiteitä. Tarvittavat toimenpiteet kuvaillaan vaihe vaiheelta.

1.3 Mittayksiköt



Ohje

Ellei toisin ole ilmoitettu, mittayksikkönä on aina millimetri.

2 TURVALLISUUS

2.1 Määräystenmukainen käyttö

Avoim (paineeton) laite on tarkoitettu käyttöveden lämmitykseen. Laite voidaan liittää vedenottoa varten käyttövesipisteeseen.

Laite on tarkoitettu kotitalousympäristöihin. Sitä voivat käyttää turvallisesti myös perehdyttämättömät henkilöt. Laitetta voidaan käyttää myös muussa kuin kotitalousympäristössä (esim. pienyritystiloiissa), mikäli käyttötapa on samanlainen.

Muunlainen käyttö on kielletty. Tämän käyttöoppaan määräyksiä sekä lisävarustekohtaisia ohjeita on ehdottomasti noudatettava. Mikäli laitetta muunnellaan tai siihen tehdään muutoksia, takuu raukeaa.

2.2 Yleiset turvallisuusohjeet



VAROITUS Palovamma

Hanan lämpötila saattaa käytön aikana olla yli 60 °C.
Kun veden lämpötila on yli 43 °C, on olemassa palovammavaara.



VAROITUS Loukkaantuminen

Vain ammattiasentaja saa irrottaa lämpötilan asetusnupin.



VAROITUS Loukkaantuminen

Laitetta saavat käyttää valvonnan alaisena yli 8-vuotiaat lapset ja henkilöt, joiden fyysiset, motoriset ja henkiset kyvyt tai kokemukset ja tiedot ovat puutteelliset, mikäli he ovat saaneet opastusta laitteen turvalliseen käyttöön ja ymmärtäneet käytöstä aiheutuvat vaarat. Lapset eivät saa leikkiä laitteella. Lapset eivät saa puhdistaa tai huoltaa laitetta ilman valvontaa.



Aineelliset vahingot

Laite, vesiputket ja hana on suojattava jäätymiseltä.



Aineelliset vahingot

Älä altista laitetta vesijohtopaineelle. Hanan ulostulossa on paineenpoistojärjestely. Kalkki voi tukkia hanan juoksuputken ja aiheuttaa laitteessa paineennousua.

- » Laitetta saa käyttää ainoastaan avoimella (paineettomalla) hanalla varustettuna.
- » Älä koskaan sulje hanan ulostuloa!
- » Käytä vain paineettomiin käyttövesivaraajiin tarkoitettuja poresuuttimia.
- » Älä pidennä hanan ulostuloa letkulla.



Aineelliset vahingot

Laitteen liittäminen ajastimen kautta aiheuttaa lämpötilan turvarajoittimen tahattoman nollaantumisen.

- » Älä kytke laitetta sähköverkkoon ajastimen kautta.

2.3 Tarkastusmerkki

Katso laitteen tyyppikilpi.

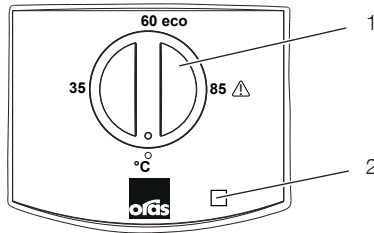
3 LAITTEEN KUVAUS

Avoin (paineeton) laite pitää säiliössä olevan veden lämpötilan asetuksen mukaisena. Laite kytkeytyy päälle automaattisesti, kun laitteen lämpötila laskee alle asetusarvon. Lämmityksen aikana hanan juoksuputkesta tippuu vettä. Laitteen saa asentaa vain avoimeen (paineettomaan) käyttövesivaraajaan tarkoitettujen hanojen kanssa.

Vuodenajasta riippuen järjestelmän suurimmat sekoitusvesi- tai ulostulomäärät voivat eri kylmävesilämpötiloilla olla erilaisia.

3.1 Käyttö

Haluttu lämpimän käyttöveden laskulämpötila on säädettävissä portaattomasti lämpötilan asetusnupista. Kuumennusnäyttöön syttyy valo kuumennuksen ajaksi.



- 1 Lämpötilansäädin
2 Kuumennusnäyttö

Lämpötilat voivat poiketa asetusarvosta järjestelmästä riippuen.

°C Kylmä. Tällä asetuksella laitteen jäätyminenesto on päällä. Hanassa tai vesiliitännöissä ei ole jäätyminenestoa.

eco Suositeltava energiansäästöasetus (noin 60 °C), kalkkeutumien muodostuminen vähäistä
85 Säädettävissä oleva enimmäislämpötila

4 PUHDISTUS, KUNNOSSAPITO JA HUOLTO

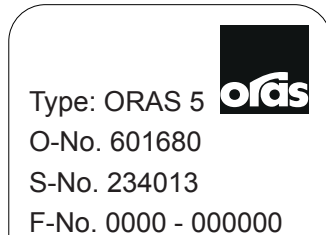
- » Älä käytä hankaavia tai liuottimia sisältäviä puhdistusaineita. Laitteen puhdistukseen riittää kostea liina.
- » Tarkasta hana säännöllisesti. Hanan juoksuputkeen kerääntynyt kalkki voidaan poistaa tavallisilla kalkkinpoistoaineilla.

Vedestä irtoaa korkeissa lämpötiloissa kalkkia. Kalkkeutumaiset heikentävät laitteen toimintaa ja lyhentävät sen käyttöikää. Lämmityselementeille täytyy siksi suorittaa tarvittaessa kalkkinpoisto. Paikallisen vedenlaadun tunteva ammattiasentaja voi määrittää kalkkinpoiston ajankohdan.

5 VIANMÄÄRITYS

Ongelma	Syy	Vianpoisto
Laitte ei tuota lämmintä vettä.	Lämpötilan asetusnappi on asennossa "°C".	Kytke laite päälle lämpötilan asetusnappia kääntämällä.
	Laitteelle ei tule virtaa.	Tarkasta talon sähköverkon pistokkeet/sulakkeet.
Hanasta tulee vain vähän vettä.	Sihtitiiviste ja/tai virtauksenrajoitin likainen.	Puhdista sihtitiiviste ja virtauksenrajoitin.
Laitteesta kuuluu voimakkaita kiehumisääniä.	Laitteessa on kalkkeutumia.	Laitteelle on suoritettava kalkinpoisto. Tehtävä on annettava ammattiasentajalle.

Ellei häiriön aiheuttajaa voida poistaa, ota yhteys ammattiasentajaan. Kerro asentajalle tyyppikilvessä olevat numerot. Tämä helpottaa avun kohdistamista:



D0000041686

6 TURVALLISUUS

Laitteen asennus-, käyttöönotto-, huolto- ja korjaustyöt saa suorittaa vain ammattiasentaja.

6.1 Yleiset turvallisuusohjeet

Valmistaja takaa laitteen moitteettoman toiminnan ja käyttöturvallisuuden vain, jos laitteessa käytetään siihen tarkoitettuja alkuperäisiä lisävarusteita ja varaosia.

6.2 Lait, normit ja määräykset



Ohje

Noudata kaikkia asiaankuuluvia sääntöjä ja määräyksiä.

7 LAITTEEN KUVAUS

Avoim (paineeton) laite soveltuu asennettavaksi altaan alapuolelle. Laite on tarkoitettu liitettäväksi käyttövesipisteeseen kylmäveden ottoa ja lämmitystä varten. Laitteen yhteyteen saa asentaa vain avoimen (paineettoman) hanan.

7.1 Toimituksen sisältö

Laitteen mukana toimitetaan:

- Seinäripustus

8 VALMISTELUT

- » Huuhtelee vesijohto kunnolla.

Vesijärjestelmä

Varoventtiili ei ole välttämätön.

Hanat

Suljetut hanat eivät ole sallittuja.

- » Asenna avoin hana.

8.1 Asennuspaikka



Aineelliset vahingot

Tila, johon laite asennetaan, ei saa altistua jäätymiselle.

- » Varastoi irrotettu laite pakkaselta suojattuun paikkaan. Laitteeseen jäänyt vesi voi jäätyessään aiheuttaa vaurioita.



Aineelliset vahingot

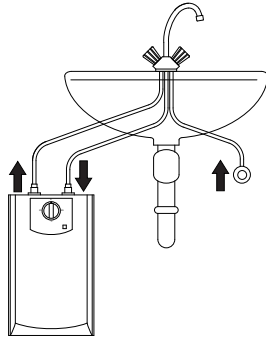
Asenna laite seinään. Seinän täytyy olla riittävän kantokykyinen.



Ohje

Laite soveltuu asennettavaksi altaan alapuolelle. Laitteen vesiliitännät osoittavat ylöspäin.

Asenna laite pystyasentoon käyttövesipisteen lähelle.



D0000048988

9 ASENNUS

9.1 Laitteen kokoonpano

- » Kopioi porausreikien mitat seinään (katso luku "Asennus / Tekniset tiedot / Mitat ja liitännät").
- » Poraa reiät ja laita niihin sopivat tulpat.
- » Kiinnitä seinäripustuslista sopivilla ruuveilla.
- » Ripusta laite seinäripustimeen.

9.2 Vesiliitäntä



Aineelliset vahingot

Kaikki vesiliitäntä- ja asennustyöt on tehtävä määräysten mukaisesti.



Aineelliset vahingot

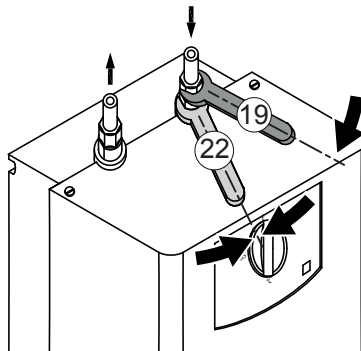
Laite voi alkaa vuotaa ja lakata toimimasta. Vuotava laite voi aiheuttaa vesivahinkoja.

- » Älä altista laitetta vesijohtopaineelle.
- » Älä vaihda vesiliitäntöjä keskenään.
- » Säädä läpivirtausmäärä (katso hanan ohje). Varmista, ettei suurin sallittu läpivirtausmäärä ylitä hanan ollessa kokonaan auki (katso luku "Asennus / Tekniset tiedot / Taulukko").



Aineelliset vahingot

Ruuviliitoksia on kiristettäessä tuettava sopivalla kiintoavaimella.



D0000049045

Kohdista hanaliitännöjen ja laitteen värimerkinnät toisiinsa:

- Oikea sininen = "kylmän veden sisääntulo"
- Vasen punainen = "lämpimän veden ulostulo"
- » Kierrä hanan vesiliitännät kiinni laitteeseen.



Ohje

Varmista, etteivät vesiliitännät pääse taittumaan asennettaessa. Vältä vetorasitusta asennuksen yhteydessä.

9.3 Sähköliitäntä



VAROITUS Sähköisku

Kaikki sähköliitäntä- ja asennustyöt on tehtävä määräysten mukaisesti.



VAROITUS Sähköisku

Kun laite asennetaan kiinteästi virtaverkkoon liitäntäkotelon kautta, laitteen kaikkien napojen on oltava erotettavissa verkkoliitännästä vähintään 3 mm erotusetaisyydellä.



VAROITUS Sähköisku

Varmista, että laite on liitetty maadoitusjohtimeen.



Aineelliset vahingot

Laitteen tyyppikilvessä ilmoitetun jännitteen on vastattava verkkojännitettä.

» Tarkista tyyppikilven tiedot.

Seuraavat sähköliitäntämahdollisuudet ovat sallittuja:

	Oras 5
Liitäntä luoksepäästävään, suojamaadoitettuun pistorasiaan vastaavalla pistokkeella	X
Kiinteä liitäntä laitteen liitäntäkoteloon suojajohtimen kera	X

10 KÄYTTÖÖNOTTO



VAROITUS Sähköisku

Käyttöönoton saa suorittaa ainoastaan valtuutettu ammattiasentaja turvallisuusmääräyksiä noudattaen.

10.1 Ensimmäinen käyttöönotto

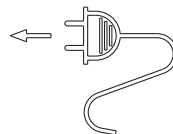
1.

60 sek.

5L



2.



- » Avaa joko hanan lämminvesiventtiili tai säädä yksiotehana lämpimän veden asentoon, kunnes virtaavassa vedessä ei enää esiinny kuplia.
- » Kytke pistoke suojamaadoitettuun pistorasiaan tai kytke taloverkon sulake päälle.
- » Valitse lämpötila.
- » Tarkasta kaikkien vesijärjestelmien tiiviys.

**Ohje**

Ellei järjestystä noudateta (ensin vesi, sitten sähkö), lämpötilan turvarajoitin laukeaa.

Toimi seuraavasti:

- » Kytke laite irti sähköverkosta.
- » Täytä laite vedellä.
- » Liitä laite sähköverkkoon.

10.1.1 Laitteen luovuttaminen

- » Selvitä käyttäjälle laitteen toimintaperiaate. Perehdytä käyttäjä laitteen käyttöön.
- » Huomauta käyttäjälle mahdollisista vaaroista, erityisesti palovammavaarasta.
- » Luovuta käyttäjälle tämä ohje ja mahdollisiin varusteisiin liittyvät muut ohjeet.

10.2 Uudelleen käyttöönotto

Katso luku "Asennus / Käyttöönotto / Ensimmäinen käyttöönotto".

11 KÄYTÖSTÄPOISTO

- » Kytke laite irti sähköverkosta pistokkeesta vetämällä tai kytkemällä sulake pois taloverkosta.
- » Tyhjennä laite (katso luku "Asennus / Huolto / Laitteen tyhjennys").

12 VIANETSINTÄ

Häiriö	Syy	Vianpoisto
Laite ei tuota lämmintä vettä.	Lämpötilan turvarajoitin on lauennut.	Poista vian syy. Vaihda tarvittaessa lämpötilansäädin uuteen. Anna laitteen jäähtyä. Kun laite on kytketty jännitteettömäksi, lämpötilan turvarajoitin nollautuu automaattisesti.
Laitteesta kuuluu voimakkaita kiehumissäniä.	Laitteessa on kalkkeutumia.	Suorita laitteelle kalkinpoisto.

13 HUOLTO**VAROITUS Sähköisku**

Kytke laitteen kaikki navat irti sähköverkosta ennen laitteen parissa työskentelyä.

- » Irrota laite huoltotöiden yhteydessä.

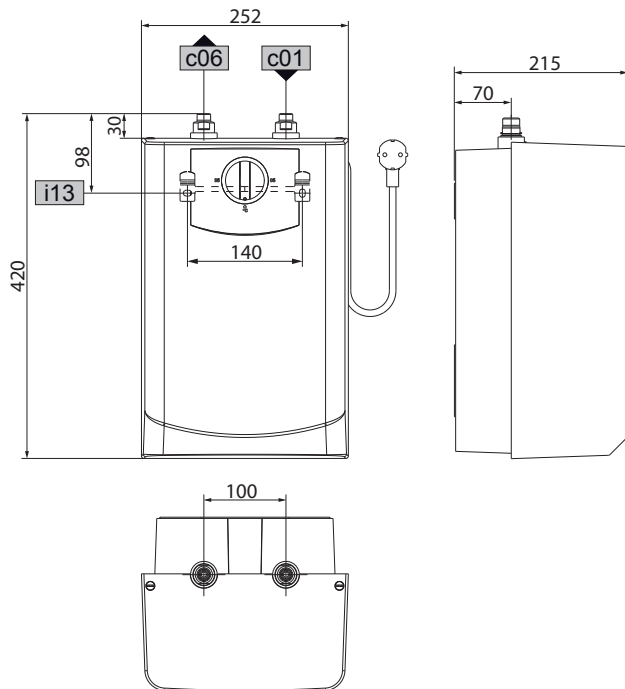
13.1 Laitteen tyhjennys**VAROITUS Palovamma**

Tyhjennyksen aikana laitteesta voi tulla ulos kuumaa vettä.

- » Tyhjennä laite liitäntämuhvien kautta.

14 TEKNISET TIEDOT

14.1 Mitat ja liitännät

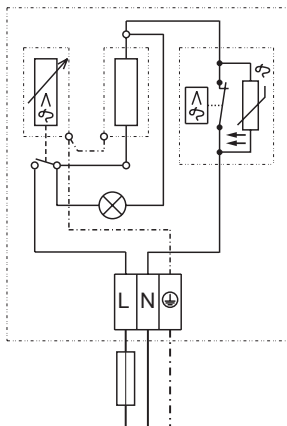


D0000041660

		Oras 5
c01	Kylmä vesi sisääntulo	Ulkokierre G 3/8 A
c06	Lämminvesi ulostulo	Ulkokierre G 3/8 A
i13	Seinäripustus	

14.2 Sähkökaavio

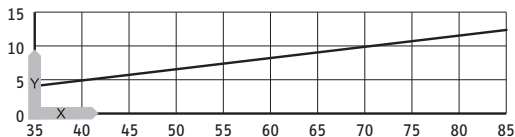
1/N/PE ~ 230 V



85_02_06_0001

14.3 Lämmityskaavio

Lämmitys aika riippuu kalkkeutumisasasteesta ja jäännöslämmöstä. Tiedot lämmitysajoista suurimmalla lämpötila-asetuksella kylmän veden lämpötilan ollessa 10 °C löytyvät taulukosta.



x Lämpötilat °C
y Aika minuutteina

D0000047175

14.4 Maakohtaiset hyväksynyt ja todistukset

Tarkastusmerkinnät ilmenevät tyyppikilvestä.

14.5 Vaativat käyttöolot ja häiriötilat

Häiriötapauksissa järjestelmässä voi lyhytaikaisesti esiintyä yli 100 °C:n lämpötiloja.

14.6 Energiankulutusta koskevat tiedot

Tuotetiedot täyttävät EU-määräysten energiaa käyttävien tuotteiden ekologista suunnittelua koskevan direktiivin (ErP) vaatimukset.

			Oras 5
			234013
Valmistaja			Oras
Kuormitusprofiili			XXS
Energiatohokkuusluokka			A
Energiayötysuhde		%	38
Vuosittainen sähkönkulutus		kWh	489
Lämpötilasäädön tehdasasetus		°C	55
Äänen tehotaso		dB(A)	15
Päivittäinen sähkönkulutus		kWh	2,267

14.7 Taulukko

		Oras 5
		234013
Hydrauliikkatiedot		
Nimellistilavuus	l	5
Sekoitusvesimäärä 40 °C	l	10
Sähkö tiedot		
Nimellisjännite	V	230
Nimellisteho	kW	2,0
Nimellisvirta	A	8,7
Suojaus	A	10
Vaiheet		1/N/PE
Taajuus	Hz	50/60
Käyttöraajat		
Lämpötilan säätöalue	°C	35-85
Suurin sallittu paine	MPa	0
Maks. läpivirtausmäärä	l/min	5
Energiatekniset tiedot		
Energiatehokkuusluokka		A
Versiot		
Lämmöneristysmateriaali		EPS
Suojaustapa (IP)		IP24 D
Asennustapa altaan alapuolelle		X
Rakenne		Avoin
Sisäsäiliön materiaali		PP
Rungon materiaali		PS
Väri		valkoinen
Liitännät		
Vesiliitäntä		G 3/8 A
Mitat		
Syvyys	mm	215
Korkeus	mm	420
Leveys	mm	252
Painotiedot		
Paino	kg	3,4

SÄRSKILDA ANVISNINGAR**ANVÄNDNING**

1	ALLMÅN INFORMATION	30
1.1	Säkerhetsanvisningar	30
1.2	Andra symboler i den här dokumentationen	30
1.3	Måttenheter	30
2	SÄKERHET	31
2.1	Korrekt användning	31
2.2	Allmänna säkerhetsanvisningar	31
2.3	Kontrollmärken	31
3	BESKRIVNING AV AGGREGATET	32
3.1	Användning	32
4	RENGÖRING, SKÖTSEL OCH UNDERHÅLL	32
5	PROBLEMAVHJÄLPNING	33

INSTALLATION

6	SÄKERHET	34
6.1	Allmänna säkerhetsanvisningar	34
6.2	Föreskrifter, standarder och bestämmelser	34
7	BESKRIVNING AV AGGREGATET	34
7.1	Leveransomfattning	34
8	FÖRBEREDELSE	34
8.1	Monteringsplats	34
9	MONTERING	35
9.1	Montering av aggregatet	35
9.2	Vattenanslutning	35
9.3	Elanslutning	36
10	IDRIFTTAGNING	36
10.1	Första idrifttagning	36
10.2	Återidrifttagning	37
11	URDRIFTTAGNING	37
12	FELAVHJÄLPNING	37
13	UNDERHÅLL	37
13.1	Tömning av varmvattenberedaren	37
14	TEKNISKA DATA	38
14.1	Mått och anslutningar	38
14.2	Elkopplingsschema	39
14.3	Uppvärmningsdiagram	39
14.4	Landsspecifika godkännanden och certifikat	39
14.5	Extrema drift- och störningsförhållanden	39
14.6	Uppgifter om energiförbrukning	39
14.7	Datatabell	40

- Varmvattenberedaren kan användas av barn över 8 år, av personer med nedsatt fysisk, sensorisk eller mental förmåga samt av personer som saknar erfarenhet eller kunskap om hur aggregatet används, såvida de hålls under uppsikt eller instrueras gällande säker användning av aggregatet samt de risker som kan uppstå vid användning. Barn får inte leka med aggregatet. Aggregatet får inte rengöras eller underhållas av barn utan uppsikt av vuxen.
- Vid fast anslutning av enheten till elnätet via en anslutningsdosa måste aggregatet kunna skiljas från nätet på alla poler med ett isoleringsavstånd på minst 3 mm i alla poler.
- Anslutningskabeln får vid skada eller utbyte endast ersättas med originalreservdelen av en av tillverkaren auktoriserad installatör.
- Anslut inte aggregatet via en timer.
- Fäst aggregatet på det sätt som beskrivs i kapitlet "Installation / Montering".
- Vid uppvärmning droppar expansionsvattnet genom blandarens utlopp.
- Aggregatet får endast installeras tillsammans med en öppen (trycklös) blandare.
- Aggregatet får inte utsättas för vattentryck.
- Blandarens utlopp fungerar som avluftning. Kalk kan täppa till utloppet och därmed trycksätta aggregatet.
- Blandarens utlopp får inte blockeras eller förses med slang/utrustning med avstängningsventil.
- Använd enbart speciella strålregulatorer avsedda för trycklösa varmvattenberedare.
- Slang får inte anslutas till blandarens utlopp.
- Töm varmvattenberedaren på det sätt som beskrivs i kapitel "Installation / Underhåll / Tömning av varmvattenberedaren".

1 ALLMÄN INFORMATION

Kapitlen "Särskilda anvisningar" och "Användning" är avsedda för användaren av aggregatet och behöriga installatörer.

Kapitlet "Installation" är avsett för installatörer.



Observera

Läs igenom bruksanvisningen noggrant före användningen och förvara den på en säker plats för framtida bruk.
Lämna bruksanvisningen vidare till nästkommande användare.

1.1 Säkerhetsanvisningar

1.1.1 Säkerhetsanvisningarnas uppbyggnad



SIGNALORD för typ av fara

Här anges möjliga konsekvenser vid underlåtenhet att beakta säkerhetsanvisningarna.
» Här anges åtgärder som ska vidtas för att undvika faran.

1.1.2 Symboler, typ av fara

Symbol	Typ av fara
	Skada
	Elstöt
	Brännskada (brännskada, skållningsskada)

1.1.3 Signalord

SIGNALORD	Innebörd
FARA	Underlåtenhet att följa dessa anvisningar leder till svåra skador eller dödsfall.
VARNING	Underlåtenhet att följa dessa anvisningar kan leda till svåra skador eller dödsfall.
OBSERVERA	Underlåtenhet att följa dessa anvisningar kan leda till medelsvåra eller lätta skador.

1.2 Andra symboler i den här dokumentationen



Observera

Allmän information markeras med vidstående symbol.
» Läs igenom anvisningstexterna noggrant.

Symbol	
	Sakskador (skador på utrustning och miljö, följdskador)
	Avfallshantering

» Denna symbol visar att användaren måste vidta åtgärder. Dessa åtgärder beskrivs steg för steg.

1.3 Måttenheter



Observera

Om inget annat anges är alla mått i millimeter.

2 SÄKERHET

2.1 Korrekt användning

Den öppna (trycklösa) varmvattenberedaren är avsedd för uppvärmning av dricksvatten. Aggregatet kan försörja ett tappställe.

Aggregatet är avsett för användning i bostaden. Det är säkert att användas även av personer som ännu inte är väl förtrogna med aggregatets funktion. Aggregatet kan även användas i till exempel småföretag, under förutsättning att den används på samma sätt som i hemmet.

Annan användning anses som icke avsedd användning och är inte tillåten. Avsedd användning omfattar även att man följer dessa drift- och installationsinstruktioner samt anvisningarna för monterade tillbehör. All garanti upphör om utrustningen modifieras eller byggs om.

2.2 Allmänna säkerhetsanvisningar



VARNING Brännskada

Armaturen kan under drift komma upp i en temperatur på över 60 °C. Vid utloppstemperaturer högre än 43 °C finns det risk för skållningsskador.



VARNING skaderisk

Endast en behörig installatör får ta bort temperaturvredet.



VARNING skaderisk

Varmvattenberedaren kan användas av barn över 8 år, av personer med nedsatt fysisk, sensorisk eller mental förmåga samt av personer som saknar erfarenhet eller kunskap om hur aggregatet används, såvida de hålls under uppsikt eller instrueras gällande säker användning av aggregatet samt de risker som kan uppstå vid användning. Barn får inte leka med aggregatet. Aggregatet får inte rengöras eller underhållas av barn utan uppsikt av vuxen.



Sakskador

Varmvattenberedaren, vattenledningarna och blandaren ska skyddas mot frost av användaren.



Sakskador

Aggregatet får inte utsättas för vattentryck. Blandarens utlopp fungerar som avluftning. Kalk kan täppa till utloppet och därmed trycksätta aggregatet.

- » Använd aggregatet endast med en öppen (trycklös) blandare.
- » Blandarens utlopp får inte blockeras eller förses med slang/utrustning med avstängningsventil.
- » Använd enbart speciella strålregulatorer avsedda för trycklösa varmvattenberedare.
- » Slang får inte anslutas till blandarens utlopp.



Sakskador

Om aggregatet ansluts via ett tidur orsakar det en oavsiktlig återställning av säkerhetstemperaturbegränsaren.

- » Anslut inte aggregatet till elnätet via ett tidur.

2.3 Kontrollmärken

Se typskylten på varmvattenberedaren.

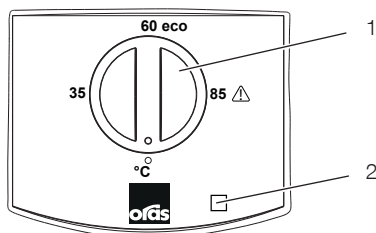
3 BESKRIVNING AV AGGREGATET

Det öppna (trycklösa) aggregatet håller vatteninnehållet vid den valda temperaturen. Aggregatet kopplas automatiskt till så snart temperaturen i aggregatet sjunker under det inställda värdet. Vid uppvärmningen droppar expansionsvattnet genom blandarens utlopp. Aggregatet får endast installeras med blandare för öppna (trycklösa) varmvattenberedare.

Beroende på årstiden ger olika kallvattentemperaturer olika maximala blandvatten- respektive utloppsvo-lymer.

3.1 Användning

Den önskade varmvattentemperaturen ställer du steglöst in med temperaturvredet. Under uppvärmnings- förloppet lyser uppvärmningsindikatorn.



- 1 Temperaturvred
- 2 Uppvärmningsindikator

Beroende på systemet kan temperaturen avvika från börvärdet.

°C kallt. I detta läge är aggregatet skyddat mot frost. Blandaren och vattenledningen är inte skyddade.

eco rekommenderat energisparläge (ca 60 °C), ringa kalkavlagring

85 högsta inställbara temperatur

4 RENGÖRING, SKÖTSEL OCH UNDERHÅLL


- » Använd inga repande eller frätande rengöringsmedel. Varmvattenberedaren kan skötas och rengöras med en fuktig trasa.
- » Kontrollera regelbundet blandaren. Kalk i blandarutloppet kan avlägsnas med vanligt avkalkningsmedel.

Nästan allt vatten avger kalk vid höga vattentemperaturer. Den avlagras i varmvattenberedaren och påverkar dess funktion och livslängd. Värmelement ska vid behov kalkas av. En behörig installatör känner till den lokala vattenkvaliteten och kan ge råd om lämplig tidpunkt för avkalkning.

5 PROBLEMAVHJÄLPNING

Problem	Orsak	Åtgärd
Aggregatet levererar inget varmvatten.	Temperaturvredet är inställt på "°C".	Sätt på aggregatet genom att vrida på temperaturvredet.
	Aggregatet har ingen spänning.	Kontrollera kontakten / säkringarna i husinstallationen.
Blandarens vattenflöde har minskat	Smuts i smutsfilter och/eller flödesbegränsare.	Rengör smutsfilter och flödesbegränsare.
Kraftigt kokljud i aggregatet.	Aggregatet är igenkalkat.	Låt en kompetent installatör avkalka aggregatet.

Om du inte kan åtgärda orsaken, kontakta en installatör. För att få bättre och snabbare hjälp uppger du numren på märkskylten:

Type: ORAS 5 
 O-No. 601680
 S-No. 234013
 F-No. 0000 - 000000

D0000041686

6 SÄKERHET

Installation, idrifttagning samt underhåll och reparation av aggregatet får endast utföras av en behörig installatör.

6.1 Allmänna säkerhetsanvisningar

Felfri funktion och driftsäkerhet kan endast garanteras om aggregatet drivs med originaltillbehör och originalreservdelar.

6.2 Föreskrifter, standarder och bestämmelser



Observera

Följ alla nationella och lokala föreskrifter och bestämmelser.

7 BESKRIVNING AV AGGREGATET

Det öppna (trycklösa) aggregatet är endast avsett för installation under tvättställ eller diskbänk. Aggregatet är avsett för uppvärmning av kallvatten till ett tappställe. Aggregatet får endast installeras tillsammans med en öppen (trycklös) blandare.

7.1 Leveransomfattning

Med aggregatet ingår följande i leveransen:

- Vägghängning

8 FÖRBEREDELSE

- » Spola igenom vattenledningen grundligt.

Vatteninstallation

Säkerhetsventil är inte nödvändig.

Blandare

Slutna blandare får inte användas.

- » Montera en öppen blandare.

8.1 Monteringsplats



Sakskador

Aggregatet får endast installeras i ett frostfritt utrymme.

- » Se till att förvara ett demonterat aggregat frostfritt eftersom eventuellt restvatten i aggregatet kan frysa och orsaka skador.



Sakskador

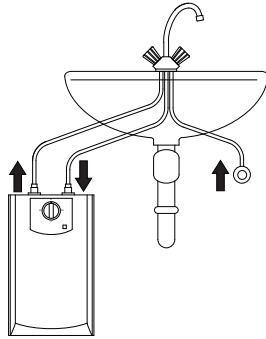
Aggregatet monteras på vägg. Väggens måste ha tillräcklig bärförmåga.



Observera

Aggregatet är endast avsett för installation under tvättställ eller diskbänk. Aggregatets vattenanslutningar är riktade uppåt.

Se till att montera aggregatet lodrätt och i närheten av tappstället.



D0000048988

9 MONTERING

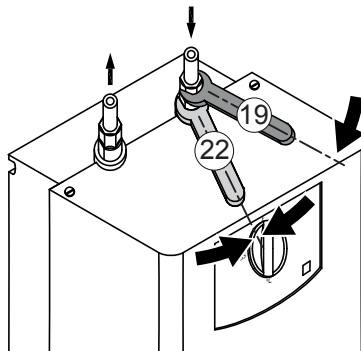
9.1 Montering av aggregatet

- » Överför borrhålsmåttan till väggen (se kapitel "Installation / Tekniska data / Mått och anslutningar").
- » Borra hålen och sätt i lämpliga pluggar.
- » Sätt upp upphängningsbeslaget med lämpliga skruvar.
- » Häng aggregatet på väggupphängningen.

9.2 Vattenanslutning

- !** **Sakskador**
Utför alla vattenanslutnings- och installationsarbeten enligt föreskrifterna.
- !** **Sakskador**
Aggregatet kan bli otätt och funktionsodugligt. Ett otätt aggregat kan orsaka vattenskador.

 - » Aggregatet får inte utsättas för vattentryck.
 - » Förväxla inte vattenanslutningarna.
 - » Ställ in flödet (se blandarens anvisning). Beakta då det maximalt tillåtna flödet vid helt öppen blandare (se kapitlet "Installation / Tekniska data / Datatabell").
- !** **Sakskador**
Håll emot med en lämplig skruvnyckel när du drar åt skruvkopplingarna.



D0000049045

Ordna färgmärkningarna av blandarens vattenanslutningar och aggregatet så att:

- Till höger blått "Kallvatteninlopp"
- Till vänster rött "Varmvattenutlopp"
- » Skruva fast blandarens vattenanslutningar på aggregatet.



Observera

Se till att vattenanslutningarna inte bockas vid monteringen. Undvik dragspänningar vid monteringen.

9.3 Elanslutning



VARNING Elstöt

Utför alla elektriska anslutnings- och installationsarbeten enligt föreskrifterna.



VARNING Elstöt

Vid fast anslutning av enheten till elnätet via en anslutningsdosa måste aggregatet kunna skiljas från nätet på alla poler med ett isoleringsavstånd på minst 3 mm i alla poler.



VARNING Elstöt

Kontrollera att aggregatet är anslutet till skyddsledaren.



Sakskador

Den på märkskylten angivna spänningen måste överensstämma med nätspänningen.
» Beakta typskylten.

Följande elektriska anslutningsmöjligheter är tillåtna:

	Oras 5
Anslutning till ett fritt tillgängligt jordat uttag med motsvarande kontakt	X
Fast anslutning till en anslutningsdosa med skyddsledare	X

10 IDRIFTTAGNING



VARNING Elstöt

Beredaren får endast tas i drift av installatör under beaktande av angivna säkerhetsföreskrifter.

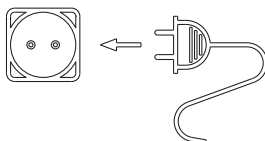
10.1 Första idrifttagning

1.

60 sek.
5L



2.



- » Öppna antingen blandarens varmvattenventil eller ställ enhandsblandarens spak i varmvattensläge och låt vattnet rinna tills det rinner utan bubblor.
- » Sätt kontakten i det jordade uttaget eller koppla till brytaren i husinstallationen.
- » Välj en temperatur.
- » Kontrollera att alla vatteninstallationer är täta.



Observera

Om inte denna ordningsföljd (först vatten därefter ström) följs så ingriper säkerhetstemperaturbegränsaren.

Gå tillväga på följande sätt:

- » Skilj aggregatet från elnätet.
- » Fyll aggregatet med vatten.
- » Anslut aggregatet till elnätet.

10.1.1 Överlämnande av anläggningen

- » Förklara aggregatets funktion för användaren. Gör användaren förtrogen med varmvattenberedarens funktionssätt.
- » Informera användaren om eventuella risker, särskilt skållningsskador.
- » Överlämna denna anvisning och om tillämpligt anvisningar för tillbehör.

10.2 Återidrifttagning

Se kapitlet "Installation / Idrifttagning / Första idrifttagning".

11 URDRIFTTAGNING

- » Skilj aggregatet från elnätet genom att dra ut kontakten eller koppla från säkringen i husinstallationen.
- » Töm aggregatet (se kapitel "Installation / Underhåll/ Tömma aggregatet").

12 FELAVHJÄLPNING

Störning	Orsak	Åtgärd
Aggregatet levererar inget varmvatten.	Säkerhetstemperaturbegränsaren har löst ut.	Åtgärda felets orsak. Byt ut temperaturregulatorn om det behövs. Låt aggregatet svalna. När du har gjort aggregatet spänningsfritt återställs säkerhetstemperaturbegränsaren automatiskt.
Kraftigt kokljud i aggregatet.	Aggregatet är igenkalkat.	Avkalka aggregatet.

13 UNDERHÅLL



VARNING Elstöt

Skilj aggregatet på alla poler från elnätet vid alla arbeten.

- » Demontera aggregatet för underhåll.

13.1 Tömning av varmvattenberedaren



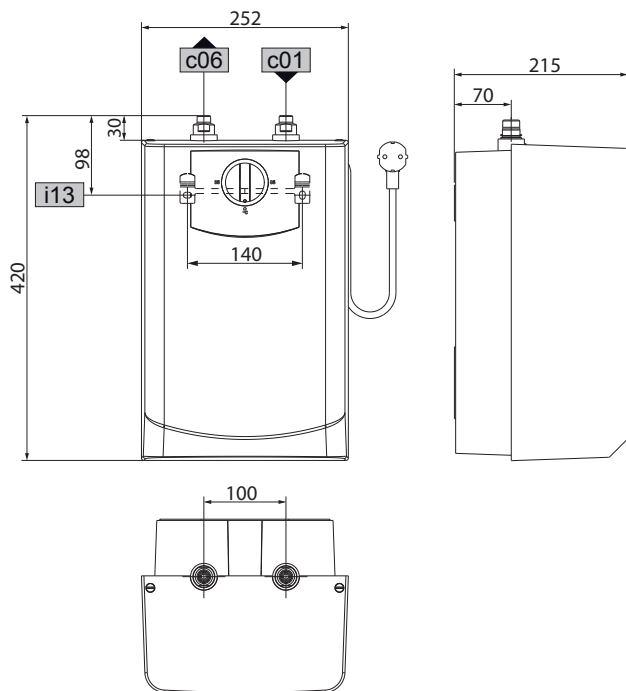
VARNING Brännskada

Tömning innebär att varmt vatten kan rinna ut.

- » Töm aggregatet via anslutningsstutsarna.

14 TEKNISKA DATA

14.1 Mått och anslutningar

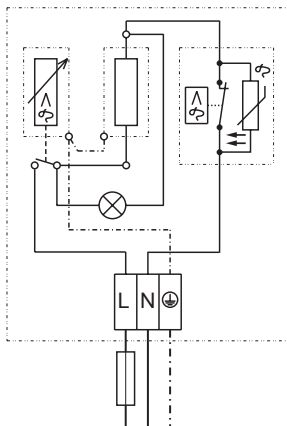


D0000041660

		Oras 5
c01	Kallvatteninlopp	Yttergånga G 3/8 A
c06	Varmvattenutlopp	Yttergånga G 3/8 A
i13	Väggupphängning	

14.2 Elkopplingschema

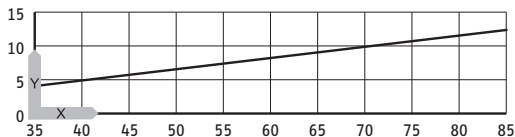
1/N/PE ~ 230 V



85_02_06_0001

14.3 Uppvärmningsdiagram

Uppvärmningstiden beror på igenkalkningen och restvärmen. Se diagrammet för uppvärmningstiden vid ett kallvatteninlopp på 10 °C och maximal temperaturinställning.



D0000047175

x Temperatur i °C
y Varaktighet i minuter

14.4 Landsspecifika godkännanden och certifikat

Testmärkena visas på typskylten.

14.5 Extrema drift- och störningsförhållanden

Vid fel kan tillfälligt en temperatur på maximalt 100 °C uppstå i installationen.

14.6 Uppgifter om energiförbrukning

Produktuppgifterna motsvarar kraven i EG-direktivet om ekodesign för energirelaterade produkter (ErP).

		Oras 5
		234013
Tillverkare		Oras
Belastningsprofil		XXS
Energieffektivitetsklass		A
Energimässig verkningsgrad	%	38
Årlig strömförbrukning	kWh	489
Temperaturinställning från fabriken	°C	55
Ljudeffektnivå	dB(A)	15
Daglig strömförbrukning	kWh	2,267

14.7 Datatabell

		Oras 5
		234013
Hydrauliska data		
Nominellt innehåll	l	5
Blandvattenvolym 40 °C	l	10
Elektriska data		
Nominell spänning	V	230
Nominell kapacitet	kW	2,0
Märkström	A	8,7
Säkkring	A	10
Faser		1/N/PE
Frekvens	Hz	50/60
Användningsgränser		
Temperaturinställningsområde	°C	35-85
Max. tillåtet tryck	MPa	0
Max. flödesmängd	l/min	5
Energidata		
Energieffektivitetsklass		A
Utföranden		
Material värmeisolering		EPS
Kapslingsklass (IP)		IP24 D
Monteringstyp underbord		X
Konstruktion		Öppen
Material innerbehållare		PP
Material ytterhus		PS
Färg		vit
Anslutningar		
Vattenanslutning		G 3/8 A
Mått		
Djup	mm	215
Höjd	mm	420
Bredd	mm	252
Vikter		
Vikt	kg	3,4

SPESIELLE INSTRUKSER

BETJENING

1	GENERELLE INSTRUKSER	43
1.1	Sikkerhetsinstrukser	43
1.2	Andre markeringer i denne dokumentasjonen	43
1.3	Måleenheter	43
2	SIKKERHET	44
2.1	Korrekt bruk	44
2.2	Generell sikkerhetsinformasjon	44
2.3	Godkjenningsmerke	44
3	BESKRIVELSE AV ANLEGGET	45
3.1	Betjening	45
4	RENGJØRING, PLEIE OG VEDLIKEHOLD	45
5	FEILSØKING	46

INSTALLASJON

6	SIKKERHET	47
6.1	Generell sikkerhetsinformasjon	47
6.2	Forskrifter, normer og bestemmelser	47
7	BESKRIVELSE AV ANLEGGET	47
7.1	Leveringsomfang	47
8	FORBEREDELSE	47
8.1	Montasjested	47
9	MONTERING	48
9.1	Montering av enheten	48
9.2	Vanntilkobling	48
9.3	Elektrisk tilkobling	49
10	IGANGSETTING	49
10.1	Første igangsetting	49
10.2	Ny igangsetting	50
11	TA ANLEGGET UT AV DRIFT	50
12	UTBEDRING AV FEIL	50
13	VEDLIKEHOLD	50
13.1	Tømming av enheten	50
14	TEKNISKE DATA	51
14.1	Mål og tilkoblinger	51
14.2	Elektrisk koblingsskjema	52
14.3	Oppvarmingsdiagram	52
14.4	Landsspesifikke godkjennelser og attester	52
14.5	Ekstreme bruksbetingelser og betingelser ved feil	52
14.6	Data som gjelder energiforbruk	52
14.7	Datatabell	53

- Enheten kan kun benyttes av barn over 8 års alder, personer med reduserte fysiske, sensoriske eller mentale evner, eller personer med mangel på erfaring og kunnskaper, dersom de er under tilsyn eller har blitt instruert om sikker bruk av enheten og har forstått farene tilknyttet bruken. Barn må ikke leke med enheten. Rengjøring og brukervedlikehold må ikke utføres av barn uten tilsyn.
- Ved permanent tilkobling til strømmettet via en stikkontakt, må enheten kunne skilles fra strømmettet med alle poler over en strekning på minst 3 mm.
- Ved skade eller ved bytte må den elektriske forbindelseskabelen kun skiftes ut med den originale reservedelen, og dette må gjøres av fagfolk som er godkjent av produsenten.
- Ikke kople til enheten via et tidsur.
- Fest enheten slik det beskrives i kapittelet "Installasjon / montering".
- Under oppvarmingen drypper ekspansjonsvannet gjennom armaturens utløp.
- Enheten må kun installeres med en åpen (trykkløs) armatur.
- Ikke utsett enheten for vanntrykk.
- Armaturutløpet har også en luftefunksjon. Kalk kan blokkere utløpet og sette enheten under trykk.
- Steng aldri armaturutløpet.
- Anvend kun spesielle strålerregulatorer for trykkløse varmtvannstanker.
- Bruk ikke en slange for å forlenge armaturutløpet.
- Tøm enheten slik det beskrives i kapittelet "Vedlikehold / tømning av apparat".

1 GENERELLE INSTRUKSER

Kapitlet "Spesiell informasjon" og "Betjening" er rettet mot brukeren av enheten samt mot fagfolkene. Kapittelet "Installasjon" er rettet mot fagfolk.



Merknad

Les nøye gjennom denne håndboken før bruk og oppbevar den godt. Gi brukerhåndboken eventuelt videre til en senere bruker.

1.1 Sikkerhetsinstrukser

1.1.1 Sikkerhetsinstruksenes oppbygning



SIGNALORD Type fare

Her står mulige følger dersom sikkerhetsanvisningene ikke følges.

» Her står tiltakene til avverging av faren.

1.1.2 Symboler, type fare

Symbol	Type fare
	Personskade
	Elektrisk stot
	Forbrenning (Forbrenning, skålding)

1.1.3 Signalord

SIGNALORD	Betydning
FARE	Anvisninger som må følges for å forhindre alvorlige personskader eller død.
ADVARSEL	Anvisninger som må følges for å hindre potensielle alvorlige personskader eller død.
FORSIKTIG	Anvisninger som må følges for å hindre potensielle middels alvorlige eller lette personskader.

1.2 Andre markeringer i denne dokumentasjonen



Merknad

Generelle anvisninger merkes med symbolet ved siden av.

» Les nøye gjennom disse anvisningstekstene.

Symbol	
	Materielle skader (Skade på enhet, følgeskader og miljøskader)
	Avfallsbehandling av apparatet

» Dette symbolet angir at du må foreta deg noe. De nødvendige handlingene er beskrevet trinnvis.

1.3 Måleenheter



Merknad

Med mindre annet er angitt, er alle mål i millimeter.

2 SIKKERHET

2.1 Korrekt bruk

Den åpne (trykkløse) enheten er beregnet på oppvarming av drikkevann. Enheten kan forsyne ett vannuttak. Enheten er beregnet til hjemmebruk. Den kan betjenes sikkert av personer som ikke har fått instruksjoner i bruken. I miljøer utenfor hjemmet, for eksempel i småbedrifter, kan enheten også brukes, forutsatt at bruken skjer på samme måte.

Annen bruk eller bruk ut over dette, anses som ikke korrekt bruk. Beregnet bruk omfatter overholdelse av denne brukerhåndboken og brukerhåndbøker for benyttet tilbehør. Ved endringer eller ombygginger på enheten blir garantien ugyldig.

2.2 Generell sikkerhetsinformasjon



ADVARSEL forbrenning

Armaturen kan under driften varmes opp til en temperatur på over 60 °C. Ved utløpstemperaturer over 43 °C er det fare for forbrenning.



ADVARSEL personskade

Kun fagfolk må trekke av temperatur-innstillingsbryteren.



ADVARSEL personskade

Enheten kan kun benyttes av barn over 8 års alder, personer med reduserte fysiske, sensoriske eller mentale evner, eller personer med mangel på erfaring og kunnskaper, dersom de er under tilsyn eller har blitt instruert om sikker bruk av enheten og har forstått farene tilknyttet bruken. Barn må ikke leke med enheten. Rengjøring og brukervedlikehold må ikke utføres av barn uten tilsyn.



Materielle skader

Brukeren må beskytte enheten, vannledningene og armaturen mot frost.



Materielle skader

Ikke utsett enheten for vanntrykk. Armaturutløpet har også en luftefunksjon. Kalk kan blokkere utløpet og sette enheten under trykk.

- » Ha kun enheten i drift med en åpen (trykkløs) armatur.
- » Steng aldri armaturutløpet.
- » Anvend kun spesielle strålerregulatorer for trykløse varmtvannstanker.
- » Bruk ikke en slange for å forlenge armaturutløpet.



Materielle skader

Tilkoblingen av enheten via et tidsur vil forårsake utilsiktet tilbakestilling av sikkerhetstemperaturbegrenseren.

- » Ikke koble enheten til strømnettet via et tidsur.

2.3 Godkjenningsmerke

Se typeskiltet på enheten.

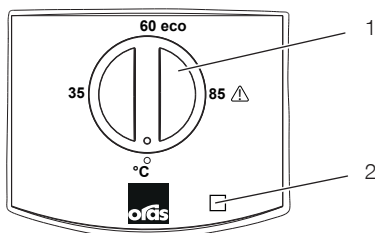
3 BESKRIVELSE AV ANLEGGET

Den åpne (trykkløse) enheten holder til enhver tid vanninnholdet klart med forvalgt temperatur. Enheten kobler seg inn automatisk så snart temperaturen i enheten synker under innstilt verdi. Under oppvarmingen drypper ekspansjonsvannet gjennom utløpsarmaturen. Enheten må kun installeres med armaturer for åpne (trykkløse) varmtvannstanker.

Avhengig av årstiden vil det ved forskjellige kaldtvannstemperaturer oppstå forskjellige maksimums blandingsvann- og utløpsmengder.

3.1 Betjening

Den ønskede varmtvanns-utløpstemperaturen kan du stille inn trinnløst på temperaturbryteren. Under oppvarmingen lyser oppvarmingsindikatoren.



- 1 Temperaturbryter
- 2 Oppvarmingsindikator

På grunn av systemet kan temperaturene avvike fra den nominelle verdien.

°C Kaldt. Ved denne innstillingen er enheten beskyttet mot frost. Armaturen og vannledningen er ikke beskyttet.

eco Anbefalt energisparestilling (ca. 60 °C), liten dannelse av kjelstein

85 Maksimum innstillbar temperatur

4 RENGJØRING, PLEIE OG VEDLIKEHOLD

- » Bruk ikke skurende eller oppløsende rengjøringsmidler. En fuktig klut er tilstrekkelig for å pleie og rengjøre enheten.
- » Kontroller armaturen regelmessig. Kalk ved armaturutløpet kan du fjerne med et avkalkingsmiddel som er vanlige i handelen.

Nesten alt vann skiller ut kalk ved høye temperaturer. Disse setter seg fast i enheten og har innflytelse på enhetens funksjon og brukstid. Varmelegemene bør derfor avkalkes ved behov. Fagfolk som kjenner den lokale vannkvaliteten, kan anbefale tidspunkter for avkalking for deg.

5 FEILSØKING

Problem	Årsak	Utbedring
Enheden leverer ikke varmt vann.	Temperaturbryteren er stilt på "°C".	Slå på enheten ved å dreie temperaturbryteren.
	Enheden er ikke koblet til spenning.	Kontroller støpselet / sikringene i boligens sikringsskap.
Vann kan kun tappes med en redusert tappemengde.	Sil pakning og -eller mengde begrensninger er tett	Rens silpakning og mengde begrensninger
Sterke kokelyder i enheten.	Apparatet er tilstoppet av kalk.	Få kalken i enheten fjernet av en fagmann.

Hvis du ikke kan utbedre årsaken, må du kontakte en fagutdannet person. For å få bedre og raskere hjelp, må du oppgi nummeret på enhetens typeskilt:

Type: ORAS 5



O-No. 601680

S-No. 234013

F-No. 0000 - 000000

D0000041686

6 SIKKERHET

Installasjon, igangkjøring, vedlikehold og reparasjon av enheten må kun utføres av en faghåndverker.

6.1 Generell sikkerhetsinformasjon

Vi garanterer kun en problemfri funksjon og driftssikkerhet såfremt det originale tilbehøret som er bestemt for enheten og de originale reservedelene anvendes.

6.2 Forskrifter, normer og bestemmelser



Merknad

Følg alle nasjonale og lokale forskrifter og bestemmelser.

7 BESKRIVELSE AV ANLEGGET

Den åpne (trykkløse) enheten er kun egnet til montering i en kjøkkenbenk. Enheten er konstruert for forsyning av et uttakssted med oppvarming av kaldtvann. Enheten må kun installeres med en åpen (trykkløs) armatur.

7.1 Leveringsomfang

Følgende leveres med enheten:

- Veggoppheng

8 FORBEREDELSE

- » Spyl vannledningen grundig.

Vanninstallasjon

En sikkerhetsventil er ikke nødvendig.

Armaturer

Lukkede armaturer er ikke tillatt.

- » Monter en åpen armatur.

8.1 Montasjested



Materielle skader

Installasjon av enheten må kun foretas i et frostfritt rom.

- » Oppbevar en demontert enhet frostfritt, da restvann i enheten kan forårsake frost og skader.



Materielle skader

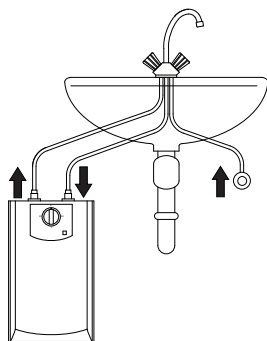
Monter enheten på veggen. Veggen må være tilstrekkelig bæredyktig.



Merknad

Enheten er kun egnet til montering i en kjøkkenbenk. Enhetens vanntilkoblinger er vendt oppover.

Monter enheten loddrett og i nærheten av vannuttaket.



D0000048988

9 MONTERING

9.1 Montering av enheten

- » Overfør borehullenes mål på veggen (se kapittel "Installasjon / Tekniske data / Mål og tilkoblinger").
- » Bor hullene og sett inn egnede plugger.
- » Fest veggoppheget med egnede skruer.
- » Fest enheten på veggoppheget.

9.2 Vanntilkobling



Materielle skader

Utfør alle arbeider for vanntilkobling og installasjon i samsvar med forskriftene.



Materielle skader

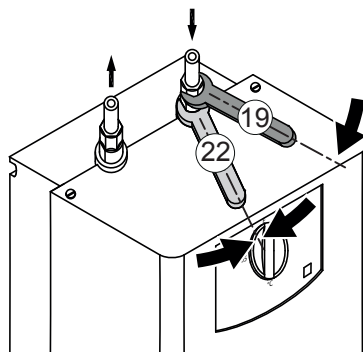
Enheten kan bli utett og funksjonsudyktig. En utett enhet kan forårsake vannskader.

- » Ikke utsett enheten for vanntrykk.
- » Vanntilkoblingene må ikke forveksles.
- » Still inn gjennomstrømningsmengden (se instruksene for armaturen). Overhold maksimum tillatt gjennomstrømningsmengde ved fullstendig åpent armatur (se kapittel "Installasjon / Tekniske data / Datatabell").



Materielle skader

Når skrueforbindelsene skrues fast, må du sørge for mothold vha. en egnet skrunøkkel.



D0000049045

Tilordne fargekjennemerkene på armatur-vanntilkoblingene og på enheten til hverandre:

- På høyre side blått = "Kaldtvannstilløp"
- På venstre side rødt = "Varmtvannsutløp"
- » Skru armaturens vanntilkoplinger fast på enheten.



Merknad

Pass på at vanntilkoblingene ikke knekkes under monteringen. Unngå trekkspenning under installasjonen.

9.3 Elektrisk tilkoping



ADVARSEL elektrisk støt

Utfør alle elektriske tilkoblings- og installasjonsarbeider i samsvar med forskriftene.



ADVARSEL elektrisk støt

Ved permanent tilkobling til strømmettet via en stikkontakt, må enheten kunne skilles fra strømmettet med alle poler over en strekning på minst 3 mm.



ADVARSEL elektrisk støt

Sørg for at enheten er koblet til jordingen.



Materielle skader

Spenningen som er angitt på typeskiltet må stemme overens med nettspenningen.
» Overhold spesifikasjonene på typeskiltet.

De følgende elektriske tilkoblingsmulighetene er tillatt:

	Oras 5
Tilkobling til en fritt tilgjengelig jordingskontakt med tilsvarende støpsel	X
Fast tilkobling til en apparatstikkontakt med beskyttelsesleder	X

10 IGANGSETTING



ADVARSEL elektrisk støt

Igangkjøringen må kun utføres av en faghåndverker som følger sikkerhetsbestemmelsene.

10.1 Første igangsetting

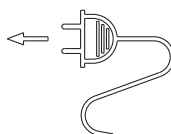
1.

60 sek.

5L



2.



- » Åpne enten varmtvannsventilen på armaturen eller still enhåndsbatteriet på "varm" inntil vannet strømmer ut uten bobler.
- » Sett støpselet inn i jordingskontakten eller slå på sikringen i boligens sikringssskap.
- » Velg en temperatur.
- » Kontroller at alle vanninstallasjonene er tette.



Merknad

Dersom rekkefølgen (først vann og deretter strøm) ikke overholdes, vil sikkerhets-temperaturbegrenseren reagere.

Gå frem på følgende måte:

- » Skill enheten fra strømmettet.
- » Fyll enheten med vann.
- » Koble enheten til strømmettet.

10.1.1 Overlevering av anlegget

- » Forklar brukeren hvordan enheten fungerer. Gjør brukeren kjent med bruken.
- » Gjør brukeren oppmerksom på mulige farer, spesielt faren for forbrenning.
- » Overlever denne brukerhåndboken og hvis tilgjengelig, instruksene som gjelder for tilbehøret.

10.2 Ny igangsetting

Se kapittel "Installasjon / igangkjøring / første igangkjøring".

11 TA ANLEGGET UT AV DRIFT

- » Skill enheten fra strømmettet ved å trekke ut støpselet eller slå av sikringen i boligens sikringssskap.
- » Tøm enheten (se kapittel "Installasjon / Vedlikehold / Tømming av enheten").

12 UTBEDRING AV FEIL

Feil	Årsak	Utbedring
Enheten leverer ikke varmt vann.	Sikkerhetstemperaturbegrenseren har utløst.	Utbedre årsaken til feilen. Skift ut temperaturregulatoren om nødvendig. La enheten få kjøle seg ned. Dersom du har satt enheten i spenningsløs tilstand, tilbakestilles sikkerhets-temperaturbegrenseren automatisk.
Sterke kokelyder i enheten.	Apparatet er tilstoppet av kalk.	Fjern kalken i enheten.

13 VEDLIKEHOLD



ADVARSEL elektrisk støt

Koble enheten fra strømmettet på alle polene før det utføres arbeid på den.

- » Demonter enheten ved vedlikeholdsarbeid.

13.1 Tømming av enheten



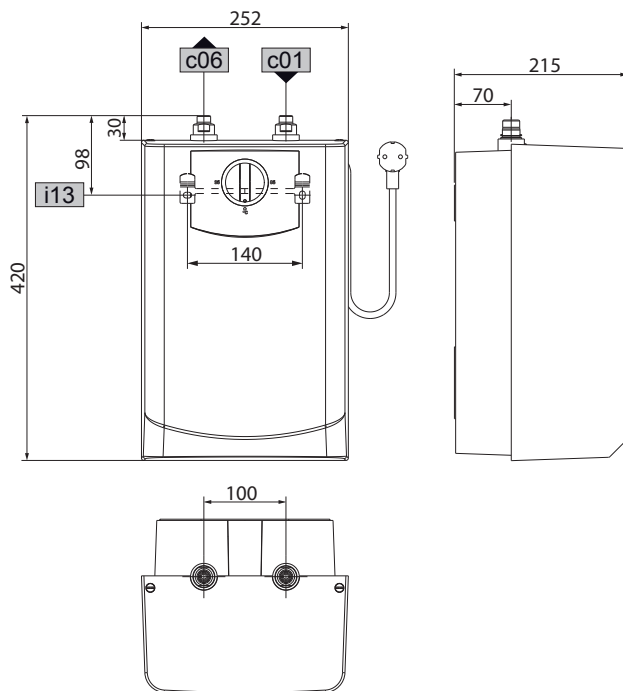
ADVARSEL forbrenning

Det kan renne ut varmt vann ved tømming.

- » Tøm enheten ovenfor koblingsstussen.

14 TEKNISKE DATA

14.1 Mål og tilkoblinger

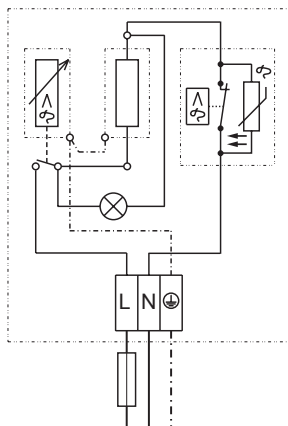


D0000041660

		Oras 5
c01	Kaldtvannstilførsel	Utvendige gjenger G 3/8 A
c06	Varmtvannsutløp	Utvendige gjenger G 3/8 A
i13	Veggoppheng	

14.2 Elektrisk koblings skjema

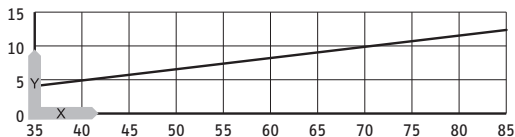
1/N/PE ~ 230 V



85_02_06_0001

14.3 Oppvarmingsdiagram

Oppvarmingstiden er avhengig av kalkavleiringene og restvarmen. Oppvarmingstiden ved et tilløp av kaldtvann med 10 °C og maksimum temperaturinnstilling finner du i diagrammet.



D0000047175

x Temperatur i °C
y Varighet i min

14.4 Landsspesifikke godkjenninger og attester

Godkjenningsmerket finner du på typeskiltet.

14.5 Ekstreme bruksbetingelser og betingelser ved feil

Ved feil kan det en kort tid oppstå en temperatur på maksimum 100 °C i installasjonen.

14.6 Data som gjelder energiforbruk

Produktdataene samsvarer med EU-forordningen til direktiv om miljøvennlig utforming av energirelaterte produkter (ErP).

			Oras 5
			234013
Produsent			Oras
Lastprofil			XXS
Energieffektivitetsklasse			A
Energetisk virkningsgrad		%	38
Årlig strømforbruk		kWh	489
Temperaturinnstilling fra fabrikken		°C	55
Lydeffektnivå		dB (A)	15
Daglig strømforbruk		kWh	2,267

14.7 Datatabell

		Oras 5
		234013
Hydrauliske data		
Nominell kapasitet	l	5
Blandingsvannmengde 40 °C	l	10
Elektriske data		
Merkespenning	V	230
Nominell ytelse	kW	2,0
Nominell strøm	A	8,7
Sikringer	A	10
Faser		1/N/PE
Frekvens	Hz	50/60
Grenser for bruk		
Temperaturinnstillingsområde	°C	35-85
Maks. tillatt trykk	MPa	0
Maks. gjennomstrømningsmengde	l/min	5
Energitekniske data		
Energieffektivitetsklasse		A
Utførelser		
Isolasjonsmateriale		EPS
Beskyttelsestypee (IP)		IP24 D
Monteringstype i kjøkkenbenk		X
Konstruksjon		åpen
Materiale i innvendig beholder		PP
Materiale i huset		PS
Farge		hvit
Tilkoblinger		
Vanntilkobling		G 3/8 A
Dimensjoner		
Dybde	mm	215
Høyde	mm	420
Bredde	mm	252
Vektene		
Vekt	kg	3,4

SÆRLIGE INFORMATIONER**BETJENING**

1	GENEREL VEJLEDNING	56
1.1	Sikkerhedsinstruktioner	56
1.2	Andre markeringer i denne dokumentation	56
1.3	Måleenheder	56
2	SIKKERHED	57
2.1	Formålsbestemt anvendelse	57
2.2	Generelle sikkerhedsinstruktioner	57
2.3	Kontrolmærke	57
3	APPARATBESKRIVELSE	58
3.1	Betjening	58
4	RENGØRING, PLEJE OG VEDLIGEHOLDELSE	58
5	PROBLEMLØSNING	59

INSTALLATION

6	SIKKERHED	60
6.1	Generelle sikkerhedsinstruktioner	60
6.2	Forskrifter, standarder og bestemmelser	60
7	APPARATBESKRIVELSE	60
7.1	Standardlevering	60
8	FORBEREDELSE	60
8.1	Monteringssted	60
9	INSTALLATION	61
9.1	Montering af apparatet	61
9.2	Vandtilslutning	61
9.3	Elektrisk tilslutning	62
10	IDRIFTSÆTNING	62
10.1	Første idriftsætning	62
10.2	Genstart	63
11	DRIFTSSTOP	63
12	FEJLAFHJÆLPNING	63
13	VEDLIGEHOLDELSE	63
13.1	Tømning af apparatet	63
14	TEKNISKE DATA	64
14.1	Mål og tilslutninger	64
14.2	Ledningsdiagram	65
14.3	Opvarmningsdiagram	65
14.4	Landespecifikke godkendelser og attester	65
14.5	Ekstreme drifts- og fejltilstandsbetingelser	65
14.6	Energiforbrugsdata	65
14.7	Datatabel	66

- Apparatet kan benyttes af børn over 8 år og af personer med nedsatte fysiske, sensoriske eller mentale evner eller mangel på erfaring og viden, når disse er under opsyn, eller hvis disse er blevet undervist i sikker anvendelse af apparatet og har forstået de dermed forbundne risici. Børn må ikke lege med apparatet. Rengøring og brugervedligeholdelse må ikke udføres af børn uden opsyn.
- Ved fast tilslutning til lysnettet via en tilslutningsdåse skal apparatet via en ekstra anordning kunne adskilles fra lysnettilslutningen med en sikkerhedsafstand på mindst 3 mm på alle poler.
- Tilslutningskablet må i tilfælde af beskadigelse eller udskiftning kun udskiftes med en original reservedel og kun af en fagmand.
- Apparatet må ikke tilsluttes via en tidsafbryder.
- Apparatet skal monteres som beskrevet i kapitlet "Installation / Montering".
- Under opvarmningen drypper der ekspansionsvand fra armaturudløbet.
- Apparatet må kun installeres med et åbent (tryklost) armatur.
- Udsæt ikke apparatet for noget vandtryk.
- Armaturudløbet fungerer som ventilation. Kalk kan blokere udløbet og sætte apparatet under tryk.
- Luk aldrig armaturudløbet af.
- Der må kun anvendes specielle stråleregulatorer for trykløse varmtvandsbeholdere.
- Brug aldrig en slange til at forlænge armaturudløbet.
- Apparatet skal tømmes som beskrevet i kapitlet "Installation / Vedligeholdelse / Tømning af apparat".

1 GENEREL VEJLEDNING

Kapitlerne "Særlige anvisninger" og "Betjening" henvender sig både til apparatets bruger og fagmanden. Kapitel "Installation" henvender sig til fagmanden.



Bemærk

Læs denne vejledning omhyggeligt inden brug, og gem den.

Giv i givet fald vejledningen videre til den efterfølgende bruger.

1.1 Sikkerhedsinstruktioner

1.1.1 Opbygningen af sikkerhedsinstruktionerne



SIGNALORD Faretype

Her angives mulige følger, hvis sikkerhedsinstruktionerne tilsidesættes.

» Her anføres foranstaltninger til at afværge faren.

1.1.2 Symboler, faretype

Symbol	Faretype
	Personskade
	Elektrisk stød
	Forbrænding (forbrænding, skoldning)

1.1.3 Signalord

SIGNALORD	Betydning
FARE	Instruktioner, som medfører alvorlige personskader eller dødsfald, hvis de ikke overholdes.
ADVARSEL	Instruktioner, som kan medføre alvorlige personskader eller dødsfald, hvis de ikke overholdes.
FORSIGTIG	Instruktioner, som kan medføre mildere eller lettere personskader, hvis de ikke overholdes.

1.2 Andre markeringer i denne dokumentation



Bemærk

Generelle informationer kendetegnes med det symbol, der vises her ved siden af.

» Læs omhyggeligt instruktionen igennem.

Symbol	
	Materielle skader (skader på apparat, følge- og miljøskader)
	Bortskaffelse af apparater

» Dette symbol gør opmærksom på, at du skal gøre noget. De nødvendige handlinger beskrives trin for trin.

1.3 Måleenheder



Bemærk

Hvis ikke andet er angivet, er alle mål i millimeter.

2 SIKKERHED

2.1 Formålsbestemt anvendelse

Det åbne (trykkløse) apparat er beregnet til opvarmning af drikkevand. Apparatet kan forsyne ét udtagingssted.

Apparatet er beregnet til brug i hjemmet. Det kan betjenes uden risiko af personer uden særlige forudsætninger. Apparatet kan også anvendes i andre omgivelser end i hjemmet, fx i mindre industrier, hvis anvendelsen sker på lignende måde.

Enhver anden eller afvigende form for brug regnes som værende i strid med den formålsbestemte anvendelse. Til formålsbestemt anvendelse hører også overholdelse af denne vejledning samt vejledninger til det anvendte tilbehør. Ved ændringer eller ombygninger på apparatet bortfalder enhver form for garanti.

2.2 Generelle sikkerhedsinstruktioner



ADVARSEL Forbrænding

Armaturet kan under drift have en temperatur på over 60 °C.
Ved afløbstemperaturer over 43 °C er der fare for skoldning.



FARE Personskade

Temperatur-indstillingsknappen må kun afmonteres af en fagmand.



FARE Personskade

Apparatet kan benyttes af børn over 8 år og af personer med nedsatte fysiske, sensoriske eller mentale evner eller mangel på erfaring og viden, når disse er under opsyn, eller hvis disse er blevet undervist i sikker anvendelse af apparatet og har forstået de dermed forbundne risici. Børn må ikke lege med apparatet. Rengøring og brugervedligeholdelse må ikke udføres af børn uden opsyn.



Materielle skader

Brugeren skal beskytte apparatet, vandedningerne og armaturet mod frost.



Materielle skader

Udsæt ikke apparatet for noget vandtryk. Armaturudløbet fungerer som ventilation. Kalk kan blokere udløbet og sætte apparatet under tryk.

- » Apparatet må kun anvendes med et åbent (trykkløst) armatur.
- » Luk aldrig armaturudløbet af.
- » Der må kun anvendes specielle strålerregulatorer for trykløse varmtvandsbeholdere.
- » Brug aldrig en slange til at forlænge armaturudløbet.



Materielle skader

Tilslutning af apparatet via en tidsafbryder bevirker utilsigtet nulstilling af sikkerhedstemperaturbegrænseren.

- » Apparatet må ikke tilsluttes til lysnettet via en tidsafbryder.

2.3 Kontrolmærke

Se typeskiltet på apparatet.

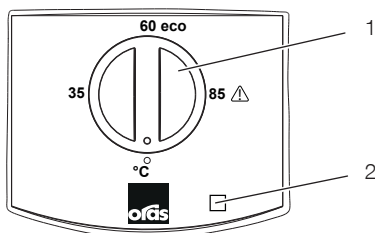
3 APPARATBESKRIVELSE

Det åbne (trykløse) apparat opretholder konstant vandkapacitet ved den forudindstillede temperatur. Apparatet starter automatisk, så snart temperaturen i apparatet falder under den indstillede værdi. Under opvarmningen drypper der ekspansionsvand fra varmtvandshanen. Apparatet må kun installeres med armaturer til åbne (trykløse) varmtvandsbeholdere.

Afhængigt af årstiden er der ved forskellige koldt vandstemperaturer forskellige maksimale blandingsvands- og udløbsmængder.

3.1 Betjening

Den ønskede varmtvands-udløbstemperatur kan indstilles på temperatur-indstillingsknappen. Under opvarmningsprocessen lyser opvarmningsindikatoren.



- 1 Temperatur-indstillingsknap
2 Opvarmningsindikator

Afhængigt af systemet kan temperaturene afvige fra indstillingsværdien.

°C Koldt. I denne indstilling er apparatet beskyttet mod frost. Armaturet og vandledningen er ikke beskyttet.

eco Anbefalet energispareindstilling (ca. 60 °C), minimal dannelse af kedelsten

85 Maksimal indstillelig temperatur

4 RENGØRING, PLEJE OG VEDLIGEHOLDELSE

- » Der må ikke anvendes skurende eller opløsende rengøringsmidler. Til pleje og rengøring af apparatet er det tilstrækkeligt at tørre af med en fugtig klud.
- » Kontrollér regelmæssigt armaturet. Kalk på armaturudløbet kan fjernes med et almindeligt afkalkningsmiddel.

Næsten alt vand udskiller kalk ved høje temperaturer. Kalken afsættes i apparatet og påvirker apparatets funktion og levetid. Varmelegemerne bør derfor afkalkes efter behov. Fagmanden, som kender den lokale vandkvalitet, kan informere dig om tidspunktet for afkalkning.

5 PROBLEMLØSNING

Problem	Årsag	Løsning
Apparatet kan ikke levere varmt vand.	Temperatur-indstillingsknappen er stillet på °C°.	Tænd for apparatet ved at dreje på temperatur-indstillingsknappen.
	Der er ikke spænding på apparatet.	Kontrollér stikket/sikringerne i husets installation.
Der kan kun tappes vand med reduceret aftapningsmængde.	Der er skidt i smudsfilter/ strålesamler.	Rens smudsfilter/ strålesamler.
Der høres kraftige kogelyde fra apparatet.	Apparatet er tilkalket.	Få en fagmand til at afkalke apparatet.

Ring til fagmanden, hvis du ikke kan afhjælpe årsagen. Meddel numrene på typeskiltet til fagmanden for at få bedre og hurtigere hjælp.

Type: ORAS 5



O-No. 601680

S-No. 234013

F-No. 0000 - 000000

D0000041686

6 SIKKERHED

Installation, idriftsætning samt vedligeholdelse og reparation af apparatet må kun udføres af en fagmand.

6.1 Generelle sikkerhedsinstruktioner

Vi kan kun garantere fejlfri funktion og driftssikkerhed, hvis der anvendes originalt tilbehør til apparatet samt originale reservedele.

6.2 Forskrifter, standarder og bestemmelser



Bemærk

Alle nationale og regionale regler og bestemmelser skal overholdes.

7 APPARATBESKRIVELSE

Det åbne (trykløse) apparat er kun egnet til montering under et bord. Apparatet er beregnet til forsyning af et udtagningssted med henblik på opvarmning af koldt vand. Apparatet må kun installeres med et åbent (trykløst) armatur.

7.1 Standardlevering

Følgende leveres sammen med apparatet:

- Vægophængning

8 FORBEREDELSE

- » Skyl vandledningen godt igennem.

Vandinstallation

Der kræves ikke nogen sikkerhedsventil.

Armaturer

Det er ikke tilladt at bruge lukkede armaturer.

- » Der skal monteres et åbent armatur.

8.1 Monteringssted



Materielle skader

Apparatet må kun installeres i et frostfrit rum.

- » Et afmonteret apparat skal opbevares frostfrit, da der er restvand i apparatet, som kan fryse og dermed forårsage skader.



Materielle skader

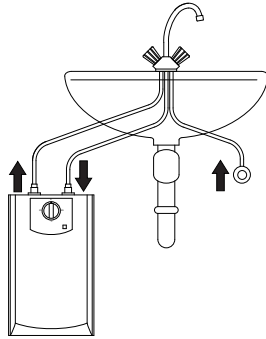
Apparatet skal monteres på væggen. Væggen skal have tilstrækkelig bæreevne.



Bemærk

Apparatet er kun egnet til montering under et bord. Apparatets vandtilslutninger skal vende opad.

Apparatet skal monteres lodret og i nærheden af udtagningsstedet.



D0000048988

9 INSTALLATION

9.1 Montering af apparatet

- » Overfør borehullernes mål til væggen (se kapitel "Installation / Tekniske data / Mål og tilslutninger").
- » Bor hullerne, og isæt egnede plugs.
- » Fastgør vægophængningen med egnede skruer.
- » Apparatet hænges op på ophængningsbeslaget.

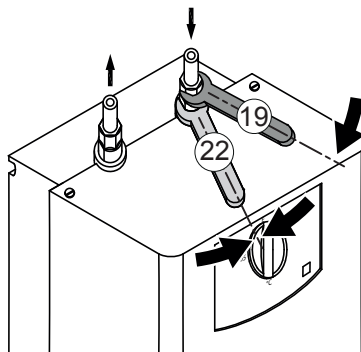
9.2 Vandtilslutning

! Materielle skader
Udfør alle vandtilslutnings- og installationsarbejder efter forskrifterne.

! Materielle skader
Apparatet kan blive utæt og funktionsudygtigt. Et utæt apparat kan forårsage vandskader.

- » Udsæt ikke apparatet for noget vandtryk.
- » Pas på ikke at forbytte vandtilslutningerne.
- » Indstil gennemstrømsmængden (se vejledning på armaturet). Vær opmærksom på den maksimalt tilladte gennemstrømsmængde ved helt åbnet armatur (se kapitel "Installation / Tekniske data / Datatabel").

! Materielle skader
Når forskruningerne skrues til, skal du holde igen med en egnet skruenøgle.



D0000049045

Sørg for at tildele farvemærkerne på armaturets vandtilslutninger og apparatet i forhold til hinanden:

- Højre blå = "koldt vand tilførsel"
- Venstre rød = "varmt vand udløb"
- » Armaturets vandtilslutninger skrues fast til apparatet.



Bemærk

Sørg for, at vandtilslutningerne ikke bukkes under monteringen. Undgå trækspænding under monteringen.

9.3 Elektrisk tilslutning



ADVARSEL Elektrisk stød

Udfør alle el-tilslutnings- og installationsarbejder efter forskrifterne.



ADVARSEL Elektrisk stød

Ved fast tilslutning til lysnettet via en tilslutningsdåse skal apparatet via en ekstra anordning kunne adskilles fra lysnettilslutningen med en sikkerhedsafstand på mindst 3 mm på alle poler.



ADVARSEL Elektrisk stød

Vær opmærksom på, at apparatet er tilsluttet til beskyttelsesledningen.



Materielle skader

Den angivne spænding på typeskiltet skal stemme overens med lysnetsspændingen.

» Bemærk typeskiltet.

Følgende elektriske tilslutningsmuligheder er tilladt:

	Oras 5
Tilslutning til en frit tilgængelig sikkerhedsstikkontakt med det pågældende stik	X
Fast tilslutning til en apparattilslutningskontakt med jordfase	X

10 IDRIFTSÆTNING



ADVARSEL Elektrisk stød

Idriftsætningen må kun udføres af en fagmand under iagttagelse af sikkerhedsforskrifterne.

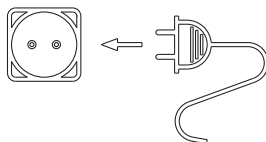
10.1 Første idriftsætning

1.

60 sek.
5L



2.



- » Åbn enten armaturets varmtvandsventil, eller stil enhånds-blanderen på "varm", indtil der løber vand uden luftbobler ud.
- » Isæt stikket i beskyttelsesstikkontakten, eller tilkobl sikringen i husinstallationen.
- » Vælg en temperatur.
- » Kontrollér, at alle vandinstallationer er tætte.



Bemærk

Hvis rækkefølgen (først vand, derefter strøm) ikke overholdes, udløses sikkerhedstemperaturbegrænseren.

Gør som følger:

- » Kobl apparatet fra lysnettet.
- » Fyld apparatet med vand.
- » Tilslut apparatet til lysnettet.

10.1.1 Overdragelse af apparatet

- » Forklar brugeren, hvordan apparatet fungerer. Gør ham/hende fortrolig med at bruge systemet.
- » Gør brugeren opmærksom på mulige farer, specielt faren for skoldning.
- » Overdrag denne vejledning og, hvis de forefindes, vejledningerne til tilbehøret.

10.2 Genstart

Se kapitel "Installation / Idriftsættelse / Første idriftsættelse".

11 DRIFTSSTOP

- » Kobl apparatet fra lysnettet ved at tage stikket ud af kontakten eller ved at frakoble sikringen i husinstallationen.
- » Tøm apparatet (se kapitlet "Installation / Vedligeholdelse / Tømning af apparat".)

12 FEJLAFHJÆLPNING

Fejl	Årsag	Løsning
Apparatet kan ikke levere varmt vand.	Sikkerhedstemperaturbegrænsingen er udløst.	Afhjælp fejlårsagen. Udskift evt. temperaturregulatoren. Lad apparatet afkøle. Når man afbryder strømmen til apparatet, nulstilles sikkerhedstemperaturbegrænseren automatisk.
Der høres kraftige kogelyde fra apparatet.	Apparatet er tilkalket.	Afkalk apparatet.

13 VEDLIGEHOLDELSE



ADVARSEL Elektrisk stød

Ved alt arbejde skal apparatet kobles fra lysnettet på alle poler.

- » Afmonter apparatet ved vedligeholdelsesarbejde.

13.1 Tømning af apparatet



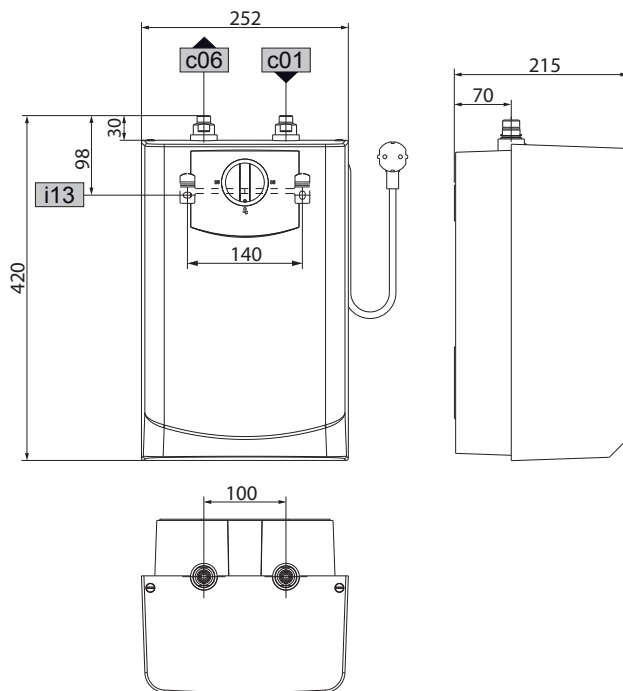
ADVARSEL Forbrænding

Ved tømning kan der løbe varmt vand ud.

- » Tøm apparatet via tilslutningsstudserne.

14 TEKNISKE DATA

14.1 Mål og tilslutninger

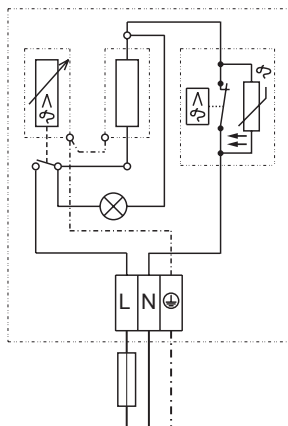


D0000041660

		Oras 5
c01	Koldt vandstilførsel	Udvendigt gevind G 3/8 A
c06	Varmtvandsudløb	Udvendigt gevind G 3/8 A
i13	Vægophængning	

14.2 Ledningsdiagram

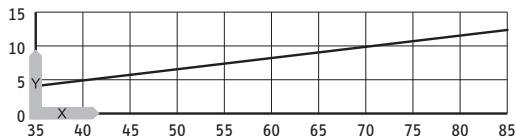
1/N/PE ~ 230 V



85_02_06_0001

14.3 Opvarmningsdiagram

Opvarmningsvarigheden afhænger af tilkalkningen og restvarmen. Opvarmningsvarigheden ved en koldt vandstilførsel på 10 °C og maksimal temperaturindstilling fremgår af diagrammet.



x Temperatur i °C
y Varighed i min

D0000047175

14.4 Landespecifikke godkendelser og attester

Kontrolmærkerne kan ses på typeskiltet.

14.5 Ekstreme drifts- og fejltilstandsbetingelser

Hvis der opstår en fejl i installationen kan der kortvarigt opstå en temperatur på maksimalt 100 °C.

14.6 Energiforbrugsdata

Produktdataene opfylder EU-forordningerne vedr. direktivet om miljøvenligt design af energiforbrugende produkter (ErP).

			Oras 5
			234013
Fabrikant			Oras
Belastningsprofil			XXS
Energieffektivitetsklasse			A
Energimæssig virkningsgrad	%		38
Årligt strømforbrug	kWh		489
Temperaturindstilling på fabrikken	°C		55
Lydeffektniveau	dB(A)		15
Dagligt strømforbrug	kWh		2,267

14.7 Datatabel

		Oras 5
		234013
Hydrauliske data		
Nominelt indhold	l	5
Blandingsvandmængde 40 °C	l	10
Elektriske data		
Nominal spænding	V	230
Nominal effekt	kW	2,0
Nominal strøm	A	8,7
Sikring	A	10
Faser		1/N/PE
Frekvens	Hz	50/60
Anvendelsesbegrænsninger		
Temperaturindstillingsområde	°C	35-85
Max. tilladt tryk	MPa	0
Max. gennemstrømsmængde	l/min	5
Energidata		
Energieffektivitetsklasse		A
Udførelser		
Materiale varmeisolering		EPS
Beskyttelsesgrad (IP)		IP24 D
Monteringsmetode under bordet		X
Udformning		åben
Indvendig beholder materiale		PP
Kabinettets materiale		PS
Farve		hvid
Tilslutninger		
Vandtilslutning		G 3/8 A
Dimensioner		
Dybde	mm	215
Højde	mm	420
Bredde	mm	252
Vægtangivelser		
Vægt	kg	3,4

WSKAZÓWKI SPECJALNE**OBSŁUGA**

1	WSKAZÓWKI OGÓLNE	69
1.1	Wskazówki dotyczące bezpieczeństwa	69
1.2	Inne oznaczenia stosowane w niniejszej dokumentacji	69
1.3	Jednostki miar	69
2	BEZPIECZEŃSTWO	70
2.1	Użytkowanie zgodne z przeznaczeniem	70
2.2	Ogólne wskazówki dotyczące bezpieczeństwa	70
2.3	Znak kontroli	71
3	OPIS URZĄDZENIA	71
3.1	Obsługa	71
4	CZYSZCZENIE, PIELEGNACJA I KONSERWACJA	71
5	USUWANIE PROBLEMÓW	72

INSTALACJA

6	BEZPIECZEŃSTWO	73
6.1	Ogólne wskazówki dotyczące bezpieczeństwa	73
6.2	Przepisy, normy i postanowienia	73
7	OPIS URZĄDZENIA	73
7.1	Zakres dostawy	73
8	PRZYGOTOWANIE	73
8.1	Miejsce montażu	73
9	MONTAŻ	74
9.1	Montaż urządzenia	74
9.2	Przyłącze wody	74
9.3	Podłączenie elektryczne	75
10	URUCHOMIENIE	75
10.1	Pierwsze uruchomienie	75
10.2	Ponowne uruchomienie	76
11	WYŁĄCZENIE Z EKSPLOATACJI	76
12	USUWANIE USTEREK	76
13	KONSERWACJA	76
13.1	Opróżnianie urządzenia	76
14	DANE TECHNICZNE	77
14.1	Wymiary i przyłącza	77
14.2	Schemat połączeń elektrycznych	78
14.3	Wykres nagrzewania	78
14.4	Krajowe dopuszczenia i certyfikaty	78
14.5	Ekstremalne warunki robocze i awaryjne	78
14.6	Dane dotyczące zużycia energii	78
14.7	Tabela danych	79

- Urządzenie może być obsługiwane przez dzieci w wieku powyżej 8 lat, a także przez osoby o obniżonej sprawności ruchowej, sensorycznej lub umysłowej, lub też przez osoby bez doświadczenia i odpowiedniej wiedzy, jeśli obsługa odbywa się pod nadzorem lub jeśli osoby te zostały poinstruowane odnośnie do bezpiecznego użytkownika urządzenia i rozumieją wynikające z tego zagrożenia. Urządzenie nie może być używane przez dzieci do zabawy. Czyszczenie oraz konserwacja wykonywana przez użytkownika są czynnościami, których dzieciom nie wolno wykonywać bez nadzoru.
- W przypadku stałego podłączenia do sieci elektrycznej za pomocą puszki przyłączeniowej należy zapewnić możliwość odłączania urządzenia od przyłącza sieciowego za pomocą wielobiegunowego wyłącznika z rozwarciem styków wynoszącym przynajmniej 3 mm.
- Czynności związane z wymianą przewodu przyłączeniowego, np. w razie uszkodzenia, mogą być wykonywane wyłącznie przez specjalistę posiadającego uprawnienia wydane przez producenta, przy użyciu oryginalnej części zamiennej.
- Nie podłączać urządzenia za pośrednictwem programatora czasowego.
- Zamocować urządzenie w sposób opisany w rozdziale „Instalacja / Montaż”.
- Podczas nagrzewania nadmiar wody skapuje z wylotu armatury.
- Urządzenie można instalować wyłącznie w połączeniu z armaturą otwartą (bezcisnieniową).
- Urządzenie nie może pracować pod ciśnieniem wody.
- Wylot armatury spełnia funkcję odpowietrznika. Kamień może zatkać wylot i stać się przyczyną powstania ciśnienia wewnątrz urządzenia.
- Nigdy nie zatykać wylotu armatury.
- Stosować wyłącznie specjalne regulatory strumienia przeznaczone do bezcisnieniowych zasobników ciepłej wody.
- Nie używać węża do przedłużania wylotu armatury.
- Opróżnić urządzenie w sposób opisany w rozdziale „Instalacja / Konserwacja / Opróżnianie urządzenia”.

1 WSKAZÓWKI OGÓLNE

Rozdziały „Wskazówki specjalne” i „Obsługa” są przeznaczone dla użytkowników urządzenia i specjalistów. Rozdział „Instalacja” przeznaczony jest dla specjalisty.



Wskazówka

Przed przystąpieniem do użytkowania urządzenia należy dokładnie zapoznać się z niniejszą instrukcją i zachować ją do późniejszego wykorzystania.

W przypadku przekazania produktu kolejnym użytkownikom dołączyć również niniejszą instrukcję.

1.1 Wskazówki dotyczące bezpieczeństwa

1.1.1 Struktura wskazówek dotyczących bezpieczeństwa



HASŁO OSTRZEGAWCZE – rodzaj zagrożenia

W tym miejscu są określone potencjalne skutki nieprzestrzegania wskazówki dotyczącej bezpieczeństwa.

» W tym miejscu są określone środki zapobiegające zagrożeniu.

1.1.2 Symbole i rodzaje zagrożenia

Symbol	Rodzaj zagrożenia
	Obrażenia ciała
	Porażenie prądem elektrycznym
	Poparzenie (różne rodzaje poparzeń, w tym poparzenie gorącą cieczą)

1.1.3 Hasła ostrzegawcze

HASŁO OSTRZE- GAWCZE	Znaczenie
ZAGROŻENIE	Wskazówki, których nieprzestrzeżenie prowadzi do ciężkich obrażeń ciała lub śmierci.
OSTRZEŻENIE	Wskazówki, których nieprzestrzeżenie może prowadzić do ciężkich obrażeń ciała lub śmierci.
OSTROŻNIE	Wskazówki, których nieprzestrzeżenie może prowadzić do średnich lub lekkich obrażeń ciała.

1.2 Inne oznaczenia stosowane w niniejszej dokumentacji



Wskazówka

Ogólne wskazówki są oznaczone symbolem umieszczonym obok.

» Należy dokładnie zapoznać się z treścią wskazówek.

Symbol	
	Szkody materialne (uszkodzenia urządzenia, szkody następce, szkody środowiskowe)
	Utylizacja urządzenia

» Ten symbol informuje o konieczności wykonania jakiejś czynności. Wymagane czynności opisane są krok po kroku.

1.3 Jednostki miar



Wskazówka

Jeśli nie określono innych jednostek, wszystkie wymiary podane są w milimetrach.

2 BEZPIECZEŃSTWO

2.1 Użytkowanie zgodne z przeznaczeniem

Otwarte (bezcisnieniowe) urządzenie jest przeznaczone do nagrzewania wody użytkowej. Urządzenie służy do zasilania jednego punktu poboru.

Urządzenie jest przeznaczone do użytku domowego. Nieprzeszkolone osoby mogą bezpiecznie obsługiwać je. Urządzenie może być użytkowane również poza domem, np. w małych przedsiębiorstwach, pod warunkiem użytkowania w taki sam sposób.

Inny sposób użytkowania lub użytkowanie wykraczające poza określony zakres zastosowania traktowane jest jako niezgodne z przeznaczeniem. Do użytkowania zgodnego z przeznaczeniem należy również przestrzeganie niniejszej instrukcji oraz instrukcji dotyczących używanego wyposażenia dodatkowego. Modyfikacje i przebudowa urządzenia powodują całkowitą utratę gwarancji.

2.2 Ogólne wskazówki dotyczące bezpieczeństwa



OSTRZEŻENIE poparzenie

Podczas pracy temperatura armatury może osiągnąć wartość powyżej 60 °C. W przypadku temperatur na wylocie wyższych niż 43 °C istnieje niebezpieczeństwo poparzenia.



OSTRZEŻENIE obrażenia ciała

Pokrętko regulacji temperatury może zdejmować wyłącznie specjalista.



OSTRZEŻENIE obrażenia ciała

Urządzenie może być obsługiwane przez dzieci w wieku powyżej 8 lat, a także przez osoby o obniżonej sprawności ruchowej, sensorycznej lub umysłowej, lub też przez osoby bez doświadczenia i odpowiedniej wiedzy, jeśli obsługa odbywa się pod nadzorem lub jeśli osoby te zostały poinstruowane odnośnie do bezpiecznego użytkowania urządzenia i rozumieją wynikające z tego zagrożenia. Urządzenie nie może być używane przez dzieci do zabawy. Czyszczenie oraz konserwacja wykonywana przez użytkowników są czynnościami, których dzieciom nie wolno wykonywać bez nadzoru.



Szkody materialne

Obowiązkiem użytkownika jest zabezpieczenie urządzenia, przewodów wody i armatury przed mrozem.



Szkody materialne

Urządzenie nie może pracować pod ciśnieniem wody. Wylot armatury spełnia funkcję odpowietrznika. Kamień może zatkać wylot i stać się przyczyną powstania ciśnienia wewnątrz urządzenia.

- » Urządzenie należy eksploatować wyłącznie w połączeniu z otwartą (bezcisnieniową) armaturą.
- » Nigdy nie zatykać wylotu armatury.
- » Stosować wyłącznie specjalne regulatory strumienia przeznaczone do bezcisnieniowych zasobników ciepłej wody.
- » Nie używać węża do przedłużania wylotu armatury.



Szkody materialne

Podłączenie urządzenia za pośrednictwem programatora czasowego prowadzi do niezamierzonego resetu ogranicznika temperatury bezpieczeństwa.

- » Nie podłączać urządzenia do sieci elektrycznej za pomocą programatora czasowego.

2.3 Znak kontroli

Patrz tabliczka znamionowa na urządzeniu.

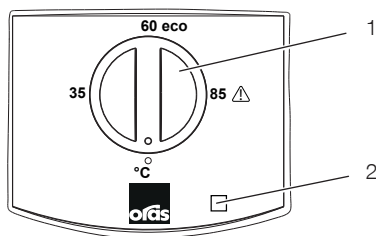
3 OPIS URZĄDZENIA

Otwarte (bezcisnieniowe) urządzenie przez cały czas utrzymuje nastawioną temperaturę zgromadzonej wody. Urządzenie włącza się automatycznie, gdy temperatura wody w urządzeniu spadnie poniżej nastawionej wartości. Podczas nagrzewania nadmiar wody skapuje przez armaturę czerpalną. Urządzenie można instalować wyłącznie w połączeniu z armaturami przeznaczonymi do otwartych (bezcisnieniowych) zasobników ciepłej wody.

W zależności od pory roku, przy różnych temperaturach zimnej wody osiągnane są różne maksymalne ilości wody zmieszanej i wody na wylocie.

3.1 Obsługa

Żądaną temperaturę ciepłej wody na wylocie można regulować bezstopniowo pokrętkiem regulacji temperatury. Podczas nagrzewania świeci się wskaźnik nagrzewania.



- 1 Pokrętko regulacji temperatury
- 2 Wskaźnik nagrzewania

W zależności od instalacji temperatury mogą różnić się od wartości zadanej.

°C Zimno. Przy tym nastawieniu urządzenie jest chronione przed mrozem. Armatura ani przewód wody nie są chronione.

eco Zalecane nastawienie energooszczędne (ok. 60 °C), nieznaczne osadzanie się kamienia kotłowego

85 Maksymalna temperatura, którą można nastawić

4 CZYSZCZENIE, PIELĘGNACJA I KONSERWACJA

- » Nie wolno używać szorujących ani rozpuszczających środków czyszczących. Do konserwacji i czyszczenia urządzenia wystarczy wilgotna szmatka.
- » Regularnie sprawdzać stan armatury. Kamień z wylotu armatury usuwać przy użyciu dostępnych w sprzedaży środków do usuwania kamienia.

Prawie każdy rodzaj wody w wysokiej temperaturze powoduje powstanie kamienia. Osadza się on w urządzeniu i ma wpływ na działanie oraz żywotność urządzenia. W związku z tym należy w razie potrzeby przeprowadzić odwapnianie grzałek. Specjalista znający jakość wody w miejscu montażu urządzenia poinformuje o terminie przeprowadzenia odwapniania.

5 USUWANIE PROBLEMÓW

Problem	Przyczyna	Rozwiązanie
Urządzenie nie dostarcza ciepłej wody.	Pokrętko regulacji temperatury jest ustawione w położeniu „°C”.	Włączyć urządzenie, obracając pokrętko regulacji temperatury.
	Do urządzenia nie jest doprowadzane napięcie.	Sprawdzić wtyczki / bezpieczniki w instalacji domowej.
Strumień pobieranej wody zmniejszył się.	Filtr siatkowy i/lub ogranicznik strumienia jest zanieczyszczony.	Wyczyść filtr siatkowy i ogranicznik strumienia.
Silne bulgotanie w urządzeniu.	Urządzenie jest pokryte kamieniem.	Zlecić specjalście odwapnienie urządzenia.

Jeśli nie można usunąć przyczyny usterki, należy wezwać specjalistę. W celu usprawnienia i przyspieszenia pomocy podać numery z tabliczki znamionowej:

Type: ORAS 5



O-No. 601680

S-No. 234013

F-No. 0000 - 000000

D0000041686

6 BEZPIECZEŃSTWO

Instalacja, uruchomienie, jak również konserwacja i naprawa urządzenia mogą być wykonywane wyłącznie przez specjalistę.

6.1 Ogólne wskazówki dotyczące bezpieczeństwa

Producent zapewnia prawidłowe działanie i bezpieczeństwo eksploatacji tylko w przypadku stosowania oryginalnego wyposażenia dodatkowego przeznaczonego do tego urządzenia oraz oryginalnych części zamiennych.

6.2 Przepisy, normy i postanowienia



Wskazówka

Należy przestrzegać wszystkich krajowych i miejscowych przepisów oraz postanowień.

7 OPIS URZĄDZENIA

Otwarte (bezcisnieniowe) urządzenie jest przeznaczone wyłącznie do montażu poniżej punktu poboru. Urządzenie jest przeznaczone do nagrzewania zimnej wody i zasilania jednego punktu poboru. Urządzenie można instalować wyłącznie w połączeniu z armaturą otwartą (bezcisnieniową).

7.1 Zakres dostawy

Z urządzeniem dostarczane są:

- Uchwyt ścienny

8 PRZYGOTOWANIE

- » Dokładnie wypłukać przewód wody.

Instalacja wodna

Zawór bezpieczeństwa nie jest wymagany.

Armatury

Nie wolno stosować armatur zamkniętych, ciśnieniowych.

- » Zamontować armaturę otwartą, bezcisnieniową.

8.1 Miejsce montażu



Szkody materialne

Urządzenie wolno instalować wyłącznie w pomieszczeniu, w którym nie istnieje ryzyko wystąpienia mrozu.

- » Zdemontowane urządzenie przechowywać w miejscu zabezpieczonym przed mrozem, ponieważ resztki wody pozostałe w urządzeniu mogą doprowadzić do jego zamarznięcia i uszkodzenia.



Szkody materialne

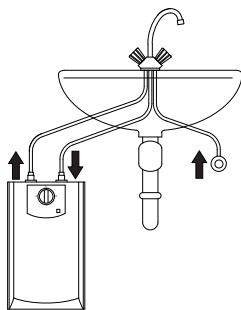
Zamontować urządzenie na ścianie. Ściana musi mieć odpowiednią nośność.



Wskazówka

Urządzenie jest przeznaczone wyłącznie do montażu poniżej punktu poboru. Przyłącza wody urządzenia skierowane są w górę.

Urządzenie należy zamontować pionowo i w pobliżu punktu poboru.



D0000048988

9 MONTAŻ

9.1 Montaż urządzenia

- » Zaznaczyć wymiary otworów montażowych na ścianie (patrz rozdział „Instalacja / Dane techniczne / Wymiary i przyłącza”).
- » Wywiercić otwory i włożyć w nie odpowiednie kołki.
- » Zamocować uchwyt ścienny odpowiednimi wkrętami.
- » Zawiesić urządzenie na uchwycie ściennym.

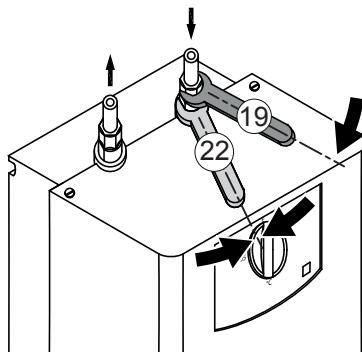
9.2 Przyłącze wody

! **Szkody materialne**
Wszystkie prace w zakresie podłączania wody i prace instalacyjne należy wykonywać zgodnie z przepisami.

! **Szkody materialne**
Urządzenie może utracić szczelność i sprawność. Nieszczelne urządzenie może być przyczyną szkód spowodowanych przez wodę.

- » Urządzenie nie może pracować pod ciśnieniem wody.
- » Nie zamienić miejscami przyłączy wody.
- » Ustawić natężenie przepływu (patrz instrukcja armatury). Przestrzegać maksymalnie dopuszczalnego natężenia przepływu przy całkowicie otwartej armaturze (patrz rozdział „Instalacja / Dane techniczne / Tabela danych”).

! **Szkody materialne**
Podczas dokręcania połączeń śrubowych konieczne jest przytrzymanie odpowiednim kluczem płaskim.



D0000049045

Przyporządkować kolorowe oznaczenia przyłączy wody na armaturze i urządzeniu:

- Prawe niebieskie = „Dopływ zimnej wody”
- Lewe czerwone = „Wylot ciepłej wody”
- » Mocno przykręcić przyłącza wody armatury do urządzenia.



Wskazówka

Uważać, aby podczas montażu nie zagiąć przyłączy wody. Unikać naprężeń rozciągających podczas montażu.

9.3 Podłączenie elektryczne



OSTRZEŻENIE porażenie prądem elektrycznym

Wszystkie elektryczne prace przyłączeniowe i instalacyjne należy wykonywać zgodnie z przepisami.



OSTRZEŻENIE porażenie prądem elektrycznym

W przypadku stałego podłączenia do sieci elektrycznej za pomocą puszki przyłączeniowej należy zapewnić możliwość odłączania urządzenia od przyłącza sieciowego za pomocą wielobiegunowego wyłącznika z rozwarciem styków wynoszącym przynajmniej 3 mm.



OSTRZEŻENIE porażenie prądem elektrycznym

Zadbać o to, aby urządzenie zostało podłączone do przewodu ochronnego.



Szkody materialne

Napięcie podane na tabliczce znamionowej musi być zgodne z napięciem sieciowym.

» Zwrócić uwagę na treść tabliczki znamionowej.

Dopuszczalne są następujące możliwości podłączenia do instalacji elektrycznej:

	Oras 5
Podłączenie do dobrze dostępnego gniazdka z zestykiem ochronnym za pomocą odpowiedniej wtyczki	X
Podłączenie na stałe do puszk przyłączeniowej z przewodem ochronnym	X

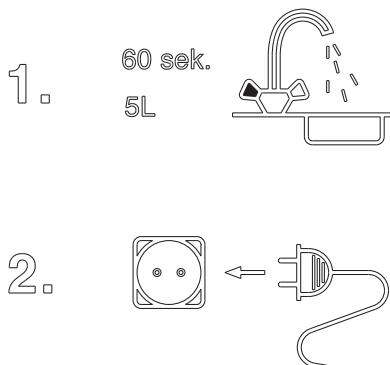
10 URUCHOMIENIE



OSTRZEŻENIE porażenie prądem elektrycznym

Uruchomienie może zostać przeprowadzone wyłącznie przez specjalistę w sposób zgodny z przepisami bezpieczeństwa.

10.1 Pierwsze uruchomienie



- » Otworzyć zawór ciepłej wody na armaturze lub ustawić jednouchwytową armaturę mieszającą w położenie „ciepła woda” i odczekać, aż zacznie wypływać woda pozbawiona pęcherzyków powietrza.
- » Podłączyć wtyczkę do gniazdka z zestykiem ochronnym lub włączyć bezpiecznik w instalacji domowej.
- » Nastawić temperaturę.
- » Sprawdzić szczelność wszystkich instalacji wody.



Wskazówka

Jeśli kolejność (najpierw woda, później prąd) nie zostanie zachowana, zadziała ogranicznik temperatury bezpieczeństwa.

W takiej sytuacji należy wykonać następujące czynności:

- » Odłączyć urządzenie od sieci elektrycznej.
- » Napełnić urządzenie wodą.
- » Podłączyć urządzenie do sieci elektrycznej.

10.1.1 Przekazanie urządzenia

- » Wyjaśnić użytkownikowi funkcję urządzenia. Zapoznać go z jego użytkowaniem.
- » Poinformować użytkownika o potencjalnych zagrożeniach, zwłaszcza o niebezpieczeństwie poparzenia.
- » Przekazać niniejszą instrukcję i ewentualne instrukcje dotyczące wyposażenia dodatkowego.

10.2 Ponowne uruchomienie

Patrz rozdział „Instalacja / Uruchomienie / Pierwsze uruchomienie”.

11 WYŁĄCZENIE Z EKSPLOATACJI

- » Odłączyć urządzenie od sieci elektrycznej, wyjmując wtyczkę lub wyłączając bezpiecznik w instalacji domowej.
- » Opróżnić urządzenie (patrz rozdział „Instalacja / Konserwacja / Opróżnianie urządzenia”).

12 USUWANIE USTEREK

Usterka	Przyczyna	Rozwiązanie
Urządzenie nie dostarcza ciepłej wody.	Zadziałał ogranicznik temperatury bezpieczeństwa.	Usunąć przyczynę usterki. W razie potrzeby wymienić regulator temperatury. Odczekać, aż urządzenie ochłodzi się. Po odłączeniu urządzenia od napięcia ogranicznik temperatury bezpieczeństwa zostanie automatycznie zresetowany.
Silne bulgotanie w urządzeniu.	Urządzenie jest pokryte kamieniem.	Odwapnić urządzenie.

13 KONSERWACJA



OSTRZEŻENIE porażenie prądem elektrycznym

Przed przystąpieniem do wszelkich prac odłączyć wszystkie bieguny zasilania urządzenia od sieci elektrycznej.

- » Zdemontować urządzenie podczas prac konserwacyjnych.

13.1 Opróżnianie urządzenia



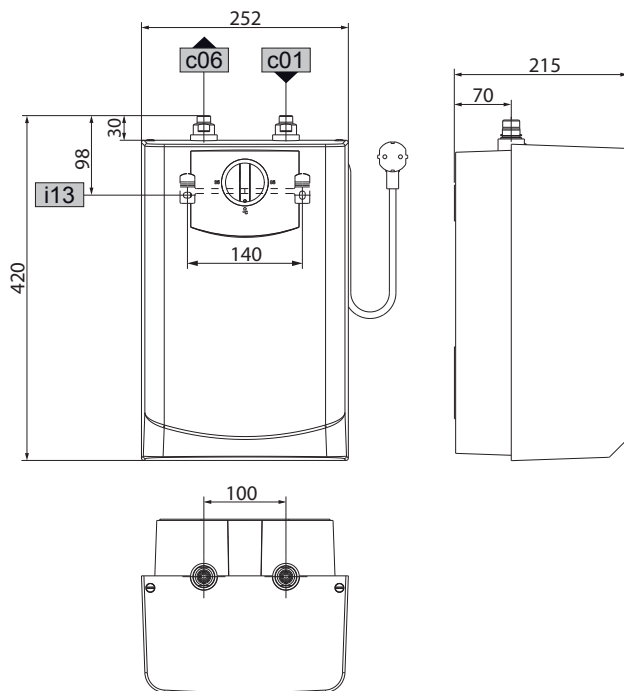
OSTRZEŻENIE poparzenie

Podczas opróżniania urządzenia może wypłynąć gorąca woda.

- » Opróżnić urządzenie przez króciec przyłączeniowy.

14 DANE TECHNICZNE

14.1 Wymiary i przyłącza

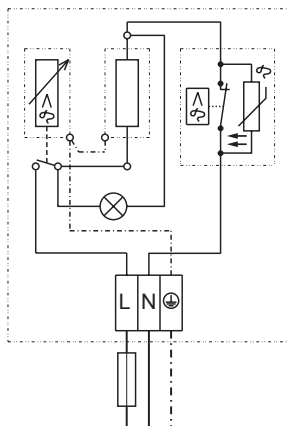


D0000041660

		Oras 5
c01	Dopływ zimnej wody	Gwint zewnętrzny G 3/8 A
c06	Wylot ciepłej wody	Gwint zewnętrzny G 3/8 A
i13	Uchwyt ścienny	

14.2 Schemat połączeń elektrycznych

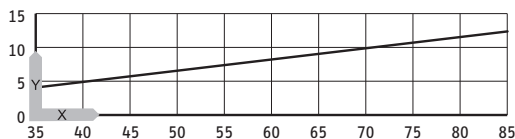
1/N/PE ~ 230 V



85_02_06_0001

14.3 Wykres nagrzewania

Czas nagrzewania zależy od stopnia zakamienienia i ciepła resztkowego. Czas nagrzewania przy doptywie zimnej wody o temperaturze 10 °C i przy ustawieniu maksymalnej temperatury można odczytać na wykresie.



x Temperatura w °C
y Czas w min

D0000047175

14.4 Krajowe dopuszczenia i certyfikaty

Znaki jakości znajdują się na tabliczce znamionowej.

14.5 Ekstremalne warunki robocze i awaryjne

W razie usterki temperatura w instalacji może na krótki czas wzrosnąć do maks. 100 °C.

14.6 Dane dotyczące zużycia energii

Dane produktu odpowiadają rozporządzeniom UE dotyczącym dyrektywy w sprawie ustalania wymogów dotyczących ekoprojektu dla produktów związanych z energią (dyrektywa ErP).

		Oras 5
		234013
Producent		Oras
Profil obciążeń		XXS
Klasa efektywności energetycznej		A
Sprawność energetyczna	%	38
Roczne zużycie prądu	kWh	489
Fabryczne ustawienie temperatury	°C	55
Poziom mocy akustycznej	dB(A)	15
Dzienne zużycie prądu	kWh	2,267

14.7 Tabela danych

		Oras 5
		234013
Dane hydrauliczne		
Pojemność znamionowa	l	5
Objętość wody zmieszanej 40 °C	l	10
Dane elektryczne		
Napięcie znamionowe	V	230
Moc znamionowa	kW	2,0
Prąd znamionowy	A	8,7
Zabezpieczenie	A	10
Fazy		1/N/PE
Częstotliwość	Hz	50/60
Granice stosowania		
Zakres nastaw temperatury	°C	35-85
Maks. dopuszczalne ciśnienie	MPa	0
Maks. natężenie przepływu	l/min	5
Dane energetyczne		
Klasa efektywności energetycznej		A
Wykonanie		
Materiał izolacji cieplnej		EPS
Stopień ochrony (IP)		IP24 D
Sposób montażu poniżej punktu poboru		X
Rodzaj konstrukcji		Otwarty
Materiał wewnętrznego zbiornika		PP
Materiał obudowy		PS
Kolor		Biały
Przyłącza		
Przyłącze wody		G 3/8 A
Wymiary		
Głębokość	mm	215
Wysokość	mm	420
Szerokość	mm	252
Masy		
Masa	kg	3,4

ОСОБЛИВІ ВКАЗІВКИ

ЕКСПЛУАТАЦІЯ

1	ЗАГАЛЬНІ ВКАЗІВКИ _____	82
1.1	Вказівки з техніки безпеки _____	82
1.2	Інші позначки в цій інструкції _____	82
1.3	Одиниці вимірювання _____	82
2	ЗАХОДИ БЕЗПЕКИ _____	83
2.1	Використання приладу за призначенням _____	83
2.2	Загальні вказівки з техніки безпеки _____	83
2.3	Знаки технічного контролю _____	83
3	ОПИС ПРИЛАДУ _____	84
3.1	Експлуатація _____	84
4	ОЧИЩЕННЯ, ДОГЛЯД І ТЕХНІЧНЕ ОБСЛУГОВУВАННЯ _____	84
5	УСУНЕННЯ НЕПОЛАДОК _____	85

ВСТАНОВЛЕННЯ

6	ЗАХОДИ БЕЗПЕКИ _____	86
6.1	Загальні вказівки з техніки безпеки _____	86
6.2	Приписи, норми та правила _____	86
7	ОПИС ПРИЛАДУ _____	86
7.1	Комплектація _____	86
8	ПІДГОТОВЧА РОБОТА _____	86
8.1	Місце для монтажу _____	86
9	МОНТАЖ _____	87
9.1	Монтаж приладу _____	87
9.2	Підключення до водопроводу _____	87
9.3	Підключення до електромережі _____	88
10	ВВЕДЕННЯ В ЕКСПЛУАТАЦІЮ _____	88
10.1	Перше введення в експлуатацію _____	88
10.2	Повторне введення в експлуатацію _____	89
11	ВИВЕДЕННЯ З ЕКСПЛУАТАЦІЇ _____	89
12	УСУНЕННЯ НЕПОЛАДОК _____	89
13	ТЕХНІЧНЕ ОБСЛУГОВУВАННЯ _____	89
13.1	Спороження приладу _____	89
14	ТЕХНІЧНІ ДАНІ _____	90
14.1	Розміри та з'єднання _____	90
14.2	Електрична схема _____	91
14.3	Діаграма нагрівання _____	91
14.4	Національні дозволи та сертифікати _____	91
14.5	Екстремальні умови експлуатації та аварійні випадки _____	91
14.6	Дані про енергоспоживання _____	91
14.7	Таблиця даних _____	92

- Дітям у віці від 8 років, а також особам з обмеженими фізичними, чуттєвими або розумовими здібностями дозволяється користуватися приладом лише під наглядом або після отримання інструкцій щодо безпечного використання приладу та безпеки, до якої може призвести недотримання цих інструкцій. Не дозволяйте дітям гратися з приладом. Дітям без нагляду дорослих заборонено виконувати очищення приладу і догляд за ним.
- Якщо прилад підключається до електромережі стаціонарно, через комутаційну коробку, то слід забезпечити можливість від'єднання приладу від мережі з відстанню між розімкнутими контактами принаймні 3 ММ на кожному полюсі.
- Право виконати заміну мережного шнура при його пошкодженні або з інших підстав має лише уповноважений виробником майстер за умови використання шнура оригінального виробництва.
- Не підключайте прилад за допомогою таймера.
- Закріпіть прилад відповідно до вказівок розділу «Встановлення / Монтаж».
- Під час нагрівання води її об'єм збільшується, і надлишкова вода стікає краплями через вилив змішувача.
- Прилад можна використовувати лише з відкритим (безнапірним) змішувачем.
- Не допускайте підвищення тиску води в приладі.
- Вилив змішувача має функцію вентиляції. Вапняний наліт може заблокувати вилив, що призведе до підвищення тиску в приладі.
- Ніколи не закривайте вилив змішувача.
- Використовуйте лише спеціальні регулятори струменя, які призначені для безнапірних накопичувальних водонагрівачів.
- Не використовуйте шлангів для подовження виливу змішувача.
- Злийте воду з приладу, як описано в розділі «Встановлення / Технічне обслуговування / Спорожнення водонагрівача».

1 ЗАГАЛЬНІ ВКАЗІВКИ

Розділи «Особливі вказівки» та «Експлуатація» призначені як для користувача приладу, так і для майстра. Розділ «Встановлення» призначений для майстра.



Вказівка

Уважно прочитайте цю інструкцію до початку користування приладом та збережіть її. Якщо прилад буде передано іншому користувачеві, то слід передати йому і цю інструкцію.

1.1 Вказівки з техніки безпеки

1.1.1 Структура вказівок із техніки безпеки



СЛОВО-ЗАСТЕРЕЖЕННЯ Вид небезпеки

Тут вказані можливі негативні наслідки невиконання вказівок із техніки безпеки.

» Тут вказані заходи для запобігання небезпеці.

1.1.2 Символи, вид небезпеки

Символ	Вид небезпеки
	Тілесне ушкодження
	Ураження електричним струмом
	Опіки (опіки, обварювання)

1.1.3 Слова-застереження

СЛОВО-ЗАСТЕРЕЖЕННЯ	Значення
НЕБЕЗПЕКА	Вказівки, невиконання яких призводить до серйозних тілесних ушкоджень чи смерті.
ЗАСТЕРЕЖЕННЯ	Вказівки, невиконання яких може призвести до серйозних тілесних ушкоджень чи смерті.
ОБЕРЕЖНО	Вказівки, невиконання яких може призвести до середніх чи легких тілесних ушкоджень.

1.2 Інші позначки в цій інструкції



Вказівка

Загальні вказівки позначені символом, який ви бачите поруч.

» Уважно читайте тексти вказівок.

Символ	
	Матеріальні збитки (небезпека пошкодження приладу, непрямих збитків та забруднення довкілля)
	Утилізація приладу

» Цей символ спонукає до виконання якихось дій. Дії, які слід виконати, описуються послідовно, крок за кроком.

1.3 Одиниці вимірювання



Вказівка

Усі розміри вказані в міліметрах, якщо не вказано інше.

2 ЗАХОДИ БЕЗПЕКИ

2.1 Використання приладу за призначенням

Цей відкритий (безнапірний) прилад призначений для нагрівання господарчо-питної води. Прилад може забезпечити гарячою водою одне місце водорозбору.

Прилад призначений для домашнього користування. Для його безпечного використання спеціальні знання не потрібні. Прилад можна використовувати не тільки вдома, а й, наприклад, на підприємствах малого бізнесу, але за тих самих умов.

Використання приладу в будь-яких інших цілях вважається використанням не за призначенням. Використання приладу за призначенням передбачає дотримання не лише цієї інструкції, а й інструкцій із використання додаткового обладнання. У разі зміни чи зміни конструкції приладу гарантія анулюється.

2.2 Загальні вказівки з техніки безпеки



ЗАСТЕРЕЖЕННЯ опіки

Під час користування приладом змішувач може нагріватися до температури понад 60 °С. Якщо температура води на виході перевищує 43 °С, існує небезпека обварювання.



ЗАСТЕРЕЖЕННЯ тілесне ушкодження

Дозвіл знімати ручку терморегулятора має виключно майстер.



ЗАСТЕРЕЖЕННЯ тілесне ушкодження

Дітям у віці від 8 років, а також особам з обмеженими фізичними, чуттєвими або розумовими здібностями дозволяється користуватися приладом лише під наглядом або після отримання інструкцій щодо безпечного використання приладу та безпеки, до якої може призвести недотримання цих інструкцій. Не дозволяйте дітям гратися з приладом. Дітям без нагляду дорослих заборонено виконувати очищення приладу і догляд за ним.



Матеріальні збитки

Користувач зобов'язаний забезпечити захист водопроводу та змішувача від замерзання.



Матеріальні збитки

Не допускайте підвищення тиску води в приладі. Вилив змішувача має функцію вентиляції. Випадковий наліт може заблокувати вилив, що призведе до підвищення тиску в приладі.

- » Експлуатуйте прилад виключно з відкритим (безнапірним) змішувачем.
- » Ніколи не закривайте вилив змішувача.
- » Використовуйте лише спеціальні регулятори струменя, які призначені для безнапірних накопичувальних водонагрівачів.
- » Не використовуйте шлангів для подовження виливу змішувача.



Матеріальні збитки

Підключення приладу за допомогою таймера призводить до неумисного скидання запобіжного обмежувача температури.

- » Не підключайте прилад до електромережі через таймер.

2.3 Знаки технічного контролю

Див. фірмову табличку на приладі.

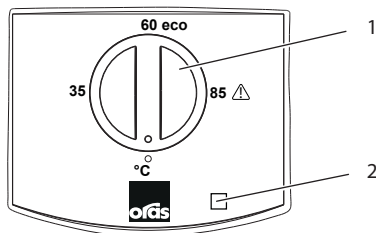
3 ОПИС ПРИЛАДУ

Відкритий (безнапірний) прилад постійно підтримує температуру води в резервуарі на заданому рівні. Якщо температура води в резервуарі водонагрівача опускається нижче вказаного рівня, то прилад автоматично вмикається. Під час нагрівання води її об'єм збільшується, і надлишкова вода стікає краплями через вилив змішувача. Прилад можна використовувати лише зі змішувачами, призначеними для відкритих (безнапірних) накопичувальних водонагрівачів.

Залежно від пори року і, відповідно, від різних температур холодної води на вході максимальний обсяг змішаної води і вихідний обсяг змінюється.

3.1 Експлуатація

За допомогою ручки терморегулятора можна плавно задавати потрібну температуру гарячої води на виході. Під час нагрівання світиться відповідний індикатор.



- 1 Ручка терморегулятора
- 2 Індикатор нагрівання

Можливі відхилення температури від заданого значення, обумовлені особливостями системи.

°C холод. При такому положенні ручки терморегулятора прилад захищений від замерзання - Змішувач і водопровід лишаються незахищеними.

eco Рекомендоване положення економії енергії (прибл. 60 °C), незначне утворення накипу

85 Максимальне значення температури

4 ОЧИЩЕННЯ, ДОГЛЯД І ТЕХНІЧНЕ ОБСЛУГОВУВАННЯ

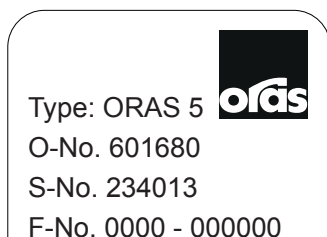
- » Не користуйтеся абразивними очищувальними засобами та розчинниками! Для догляду за приладом та його очищення достатньо використовувати вологу серветку із тканини.
- » Регулярно перевіряйте змішувач. Для очищення виливу змішувача від вапняних відкладень можна використовувати засоби для видалення накипу, які продаються в торговельній мережі.

У разі нагрівання до високої температури накип утворюється практично в будь-якій воді. Він накопичується в приладі, негативно впливає на його роботу та термін служби. Тому накип із нагрівальних елементів необхідно регулярно видаляти. Термін видалення накипу вкаже майстер, який знає характеристики місцевої води.

5 УСУНЕННЯ НЕПОЛАДОК

Неполадка	Причина	Усунення
Прилад не гріє воду.	Ручка терморегулятора знаходиться в положенні «°С».	Увімкніть прилад, повернувши ручку терморегулятора.
	Відсутня напруга на приладі.	Перевірте вилку / запобіжники в своєму помешканні.
Вихід води значно уповільнився.	Грязьовий фільтр та/ або обмежувач потоку забруднені.	Очистіть грязьовий фільтр та обмежувач потоку.
Сильні шуми під час нагрівання води.	У приладі виникли відкладення накипу.	Викличте майстра для видалення накипу з приладу.

Якщо самостійне усунення причин неполадок неможливе, зверніться до майстра. Щоб допомогти майстру в роботі, повідомте йому номер приладу, вказаний на фірмовій табличці:



D0000041686

6 ЗАХОДИ БЕЗПЕКИ

Встановлення приладу, його введення в експлуатацію, а також технічне обслуговування та ремонт має виконувати тільки майстер.

6.1 Загальні вказівки з техніки безпеки

Ми гарантуємо надійну роботу та безпеку під час експлуатації лише за умов використання додаткового обладнання, призначеного саме для цього приладу, та оригінальних запчастин.

6.2 Приписи, норми та правила



Вказівка

Дотримуйтеся всіх національних і місцевих приписів і правил.

7 ОПИС ПРИЛАДУ

Цей відкритий (безнапірний) прилад призначений виключно для монтажу під раковину. Цей прилад призначений для нагрівання холодної води та забезпечення гарячою водою одного місця водорозбору. Прилад можна використовувати лише з відкритим (безнапірним) змішувачем.

7.1 Комплектація

Із приладом постачається:

- настінна монтажна планка.

8 ПІДГОТОВЧА РОБОТА

» Ретельно промийте водопровід.

Підведення води

Запобіжний клапан не вимагається.

Змішувачі

Заборонено використовувати закриті змішувачі.

» Змонтуйте відкритий змішувач.

8.1 Місце для монтажу



Матеріальні збитки

Встановлювати прилад слід в приміщенні, яке не охолоджується до мінусових температур.

» Зберігайте демонтований прилад у приміщенні, захищеному від морозу, оскільки залишки води в приладі можуть його пошкодити в разі замерзання.



Матеріальні збитки

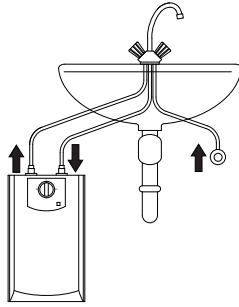
Виконайте монтаж приладу на стіні. Стіна повинна мати достатню тримкість.



Вказівка

Прилад призначений виключно для монтажу під раковину. Патрубки для підключення води спрямовані вгору.

Монтувати прилад слід строго вертикально, у безпосередній близькості від місця водорозбору.



D0000048988

9 МОНТАЖ

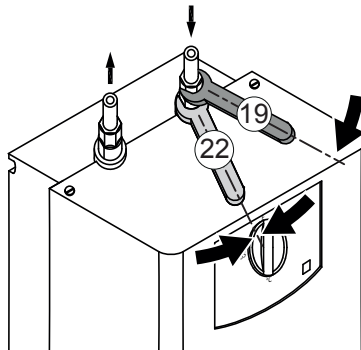
9.1 Монтаж приладу

- » Намітьте на стіні місця під отвори (див. розділ «Встановлення / Технічні дані / Розміри та з'єднання»).
- » Просвердліть два отвори та вставте в них відповідні дюбелі.
- » Прикріпіть настінну монтажну планку відповідними шурупами.
- » Навісьте прилад на настінну монтажну планку.

9.2 Підключення до водопроводу

- !** Матеріальні збитки
Виконуйте всі роботи з підключення до водопроводу та встановлення приладу відповідно до приписів.
- !** Матеріальні збитки
Прилад може втратити герметичність і вийти з ладу. Негерметичність приладу може призвести до витoku води та спричинення збитків.

 - » Не допускайте підвищення тиску води в приладі.
 - » Не переплутайте з'єднувальні патрубки.
 - » Відрегулюйте витрату води (див. інструкцію до змішувача). Прийміть до уваги максимально дозволена витрати води при повністю відкритому змішувачеві (див. розділ «Встановлення / Технічні дані / Таблиця даних»).
- !** Матеріальні збитки
При закручуванні різьбових з'єднань утримуйте їх від прокручування в зустрічному напрямку відповідним гайковим ключем.



D0000049045

Кольорові позначки з'єднувальних патрубків змішувача та приладу повинні збігатися:

- синій справа = вхід холодної води;
 - червоний зліва = вихід гарячої води.
- » Надійно під'єднайте до приладу з'єднувальні шланги змішувача.



Вказівка

Під час монтажу не допускайте перегинання з'єднувальних шлангів. Під час встановлення не допускайте розтягувальних навантажень.

9.3 Підключення до електромережі



ЗАСТЕРЕЖЕННЯ ураження електричним струмом

Виконуйте всі роботи з підключення до електричної мережі та встановлення приладу відповідно до приписів.



ЗАСТЕРЕЖЕННЯ ураження електричним струмом

Якщо прилад підключається до електромережі стаціонарно, через комутаційну коробку, то слід забезпечити можливість від'єднання приладу від мережі з відстанню між розімкнутими контактами принаймні 3 ММ на кожному полюсі.



ЗАСТЕРЕЖЕННЯ ураження електричним струмом

Прослідкуйте, щоб підключення водонагрівача було виконано із заземленням!



Матеріальні збитки

Вказана на фірмовій табличці напруга повинна співпадати із напругою мережі.
» Прийміть до уваги інформацію дані на табличці виробника.

Дозволяються наступні варіанти підключення.

	Oras 5
Підключення за допомогою вилки та розетки із захисним контактом, яка знаходиться в межах вільного доступу.	X
Стационарне підключення до комутаційної коробки із заземленням.	X

10 ВВЕДЕННЯ В ЕКСПЛУАТАЦІЮ



ЗАСТЕРЕЖЕННЯ ураження електричним струмом

Вводити водонагрівач в експлуатацію дозволено лише майстру, який має дотримуватися всіх правил техніки безпеки.

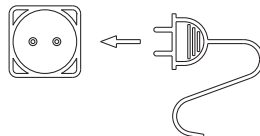
10.1 Перше введення в експлуатацію

1.

60 sek.
5L



2.



- » Відкрийте на змішувачі кран гарячої води або встановіть важіль одноважільного змішувача в положення подачі гарячої води та зачекайте, доки вода не почне витікати суцільним струменем (без бульбашок).
- » Підключіть вилку до розетки із захисним контактом або ввімкніть автоматичний вимикач помешкання.
- » Задайте бажану температуру.
- » Перевірте герметичність всієї водопровідної системи.



Вказівка

У разі недотримання правильної послідовності ввімкнення (спочатку вода, потім струм) спрацює запобіжний обмежувач температури.

Виконайте описані нижче дії.

- » Відключіть прилад від електромережі.
- » Наповніть прилад водою.
- » Підключіть прилад до електромережі.

10.1.1 Передача приладу користувачеві

- » Поясніть користувачеві, як функціонує прилад. Pozнайомте його з особливостями експлуатації.
- » Слід також звернути увагу користувача на потенційні небезпеки, чергу перш за все на небезпеку обварювання.
- » Передайте користувачеві цю інструкцію та інструкції до додаткового обладнання при його наявності.

10.2 Повторне введення в експлуатацію

Див. розділ «Встановлення / Введення в експлуатацію / Перше введення в експлуатацію».

11 ВИВЕДЕННЯ З ЕКСПЛУАТАЦІЇ

- » Від'єднайте прилад від електромережі, для цього витягніть вилку з розетки або вимкніть запобіжники в домоволодінні.
- » Злийте воду із приладу (див. розділ «Встановлення / Технічне обслуговування / Спорожнення приладу»).

12 УСУНЕННЯ НЕПОЛАДОК

Вид неполадки	Причина	Усунення
Прилад не гріє воду.	Спрацював запобіжний обмежувач температури.	Усуньте причину несправності. За необхідності замініть терморегулятор. Дайте приладу охолонути. Після відключення приладу від електромережі скидання запобіжного обмежувача температури виконується автоматично.
Сильні шуми під час нагрівання води.	У приладі виникли відкладення накипу.	Очистіть прилад від накипу.

13 ТЕХНІЧНЕ ОБСЛУГОВУВАННЯ



ЗАСТЕРЕЖЕННЯ ураження електричним струмом

Перед виконанням будь-яких робіт усі полюси приладу слід відключити від електромережі!

- » Для проведення робіт із технічного обслуговування демонтуйте прилад.

13.1 Спорожнення приладу



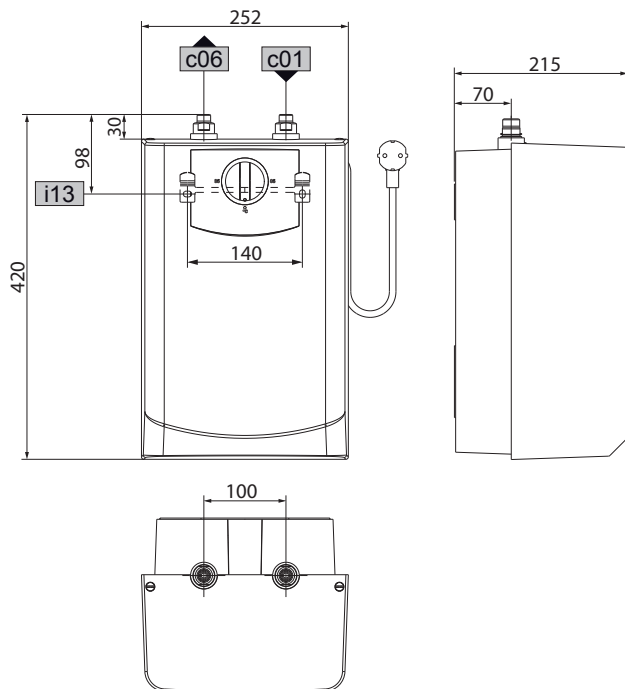
ЗАСТЕРЕЖЕННЯ опіки

Під час спорожнення можливе витікання гарячої води.

- » Спорожніть прилад через з'єднувальні патрубки.

14 ТЕХНІЧНІ ДАНІ

14.1 Розміри та з'єднання

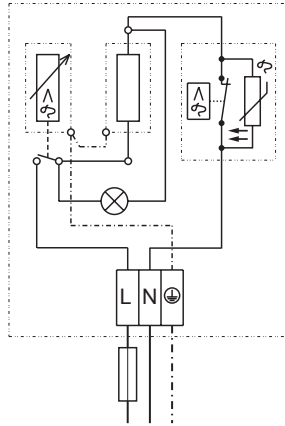


D0000041660

		Oras 5
c01	Вхід холодної води	Зовнішня різь G 3/8 A
c06	Вихід гарячої води	Зовнішня різь G 3/8 A
i13	настінна монтажна планка.	

14.2 Електрична схема

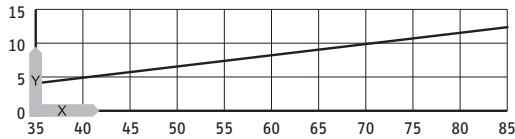
1/N/PE ~ 230 V



85_02_06_0001

14.3 Діаграма нагрівання

Тривалість нагрівання залежить від кількості вапняного накипу та залишкового тепла. На діаграмі представлений час нагрівання води при максимальній заданій температурі та температурі холодної води на вході 10 °С.



D0000047175

x Температура в °С

y Тривалість у хв

14.4 Національні дозволи та сертифікати

Знаки технічного контролю наведено на фірмовій табличці.

14.5 Екстремальні умови експлуатації та аварійні випадки

У разі несправності системи температура може ненадовго підвищуватися до 100 °С.

14.6 Дані про енергоспоживання

Характеристики виробу відповідають регламентам ЄС, прийнятим відповідно до Директиви з екологічного проектування обладнання, що споживає електроенергію (ErP).

		Oras 5
		234013
Виробник		Oras
Профіль навантаження		XXS
Клас енергоефективності		A
Енергетичний ККД	%	38
Річне споживання електроенергії	kWh	489
Задана на заводі температура	°C	55
Рівень звукової потужності	дБ(A)	15
Добове споживання електроенергії	kWh	2,267

14.7 Таблиця даних

		Oras 5
		234013
Гідравлічні характеристики		
Номінальна місткість	l	5
Об'єм змішаної води з температурою 40 °C	l	10
Електричні характеристики		
Номінальна напруга	V	230
Номінальна потужність	кВт	2,0
Номінальний струм	A	8,7
Запобіжник	A	10
Фази		1/N/PE
Частота	Hz	50/60
Межі застосування		
Діапазон регулювання температури	°C	35-85
Макс. допустимий тиск	MPa	0
Макс. витрата води	l/min	5
Енергетичні характеристики		
Клас енергоефективності		A
Варіанти виконання		
Матеріал теплоізоляції		Пінополістирол (EPS)
Ступінь захисту (IP)		IP24 D
Монтаж під раковину		X
Конструкція		Відкрита
Матеріал внутрішнього резервуару		Поліпропілен (PP)
Матеріал корпусу		PS
Колір		Білий
З'єднання		
Підключення до водопроводу		G 3/8 A
Габарити		
Глибина	мм	215
Висота	мм	420
Ширина	мм	252
Вага		
Вага	kg	3,4

YPATINGI NURODYMAI**VALDYMAS**

1	BENDROSIOS NUORODOS	95
1.1	Saugos nuorodos	95
1.2	Kiti šiuose dokumentuose naudojami ženklai	95
1.3	Matavimo vienetai	95
2	SAUGA	96
2.1	Naudojimas pagal paskirtį	96
2.2	Bendrosios saugos nuorodos	96
2.3	Sertifikatai	96
3	ĮRENGINIO APRAŠYMAS	97
3.1	Valdymas	97
4	VALYMAS IR TECHNINĖ PRIEŽIŪRA	97
5	PROBLEMŲ ŠALINIMAS	98

MONTAVIMAS

6	SAUGA	99
6.1	Bendrosios saugos nuorodos	99
6.2	Nuostatai, standartai ir taisyklės	99
7	ĮRENGINIO APRAŠYMAS	99
7.1	Standartinis komplektas	99
8	PASIRUOŠIMAS	99
8.1	Montavimo vieta	99
9	MONTAVIMAS	100
9.1	Įrenginio montavimas	100
9.2	Vandens prijungimas	100
9.3	Prijungimas prie elektros tinklo	101
10	PIRMASIS ĮJUNGIMAS	101
10.1	Pirmasis įjungimas	101
10.2	Pakartotinis paleidimas	102
11	ĮRANGOS IŠJUNGIMAS	102
12	TRIKDŽIŲ ŠALINIMAS	102
13	TECHNINĖ PRIEŽIŪRA	102
13.1	Įrenginio ištuštinimas	102
14	TECHNINIAI DUOMENYS	103
14.1	Matmenys ir jungtys	103
14.2	Elektros instaliacijos schema	104
14.3	Pašildymo diagrama	104
14.4	Su konkrečiomis šalimis susiję leidimai ir pažymėjimai	104
14.5	Ekstremalios darbo sąlygos ir gedimų prielaidos	104
14.6	Energijos suvartojimo duomenys	104
14.7	Duomenų lentelė	105

- Įranga gali naudotis vaikai nuo 8 metų, taip pat asmenys su fizine, sensorine ar protine negalia arba asmenys, turintys mažiau patirties ar žinių, jei yra prižiūrimi, arba jei buvo išmokyti įrangą saugiai naudoti ir suprato pavojus, kurie gali kilti naudojant. Neleiskite vaikams žaisti su įranga. Įrangos valymo ir priežiūros darbų neleidžiama atlikti vaikams be suaugusiųjų priežiūros.
- Kai naudojama nuolatinė jungtis prie elektros tinklo per įrenginio lizdą, reikia, kad visus įrenginio polių galima būtų atskirti nuo elektros tinklo bent per 3 mm.
- Norint pakeisti ar sugadinus maitinimo laidą leidžiama naudoti tik originalias atsargines dalis, o darbus gali atlikti tik gamintojo patvirtinti kvalifikuoti specialistai.
- Nejunkite įrenginio per laikmatį.
- Pritvirtinkite įrenginį, kaip aprašyta skyriuje „Montavimas / Įrengimas“.
- Kaitinant per maišytuvo išėjimą laša išsiplėtęs vanduo.
- Įrenginys gali būti sumontuotas tik su specialiu atviru maišytuvu (be slėgio).
- Saugokite įrenginį nuo vandens slėgio.
- Maišytuve numatyta vėdinimo ir oro ištraukimo funkcija. Kalkės gali užkimšti išleidimo angą ir dėl to gali padidėti slėgis įrenginyje.
- Niekada neužkimškite maišytuvo angos.
- Karšto vandens šildytuvuose be slėgio naudokite tik specialius srauto aeratorius.
- Nenaudokite žarnos maišytuvo išvesčiai pailginti.
- Ištuštinkite įrenginį, kaip aprašyta skyriuje „Montavimas / Techninė priežiūra / Įrenginio ištuštinimas“.

1 BENDROSIS NUORODOS

Skyriai „Ypatingi nurodymai“ ir „Valdymas“ skirti ir prietaiso naudotojams, ir kvalifikuotiems specialistams. Skyrius „Montavimas“ skirtas tik kvalifikuotiems specialistams.



Nuoroda

Prieš eksploatuodami atidžiai perskaitykite šią instrukciją ir ją išsaugokite. Prireikus instrukciją perduokite kitam naudotojui.

1.1 Saugos nuorodos

1.1.1 Saugos nuorodų struktūra



SIGNALINIS ŽODIS Keliama grėsmė

Čia nurodoma, kokie gali būti padariniai nesilaikant šios saugos nuorodos.

» Čia pateikiamos priemonės, kurių būtina imtis norint išvengti pavojaus.

1.1.2 Simboliai, keliama grėsmė

Simbolis	Keliama grėsmė
	Sužeidimas
	Elektros smūgis
	Nudegimas (nudegimas, nusiplikymas)

1.1.3 Signaliniai žodžiai

SIGNALINIS ŽODIS	Reikšmė
PAVOJUS	Nuorodos, kurių nesilaikant kyla didelis pavojus sveikatai arba gyvybei.
ĮSPĖJIMAS	Nuorodos, kurių nesilaikant gali kilti didelis pavojus sveikatai arba gyvybei.
ATSARGIAI	Nuorodos, kurių nesilaikant galima vidutiniškai arba lengvai susižeisti.

1.2 Kiti šiuose dokumentuose naudojami ženklai



Nuoroda

Bendrosios nuorodos žymimos šalia parodytų simbolių.

» Įdėmiai perskaitykite nuorodų turinį.

Simbolis	
	Turtinė žala (žala įrangai, aplinkai ir netiesioginė žala)
	Įrangos utilizavimas

» Šis simbolis rodo, kad turite imtis tam tikrų veiksmų. Reikiami atlikti veiksmai aprašyti išsamiai.

1.3 Matavimo vienetai



Nuoroda

Jeigu nenurodyta kitaip, visi matmenys pateikiami milimetrais.

2 SAUGA

2.1 Naudojimas pagal paskirtį

Atviras (be slėgio) įrenginys skirtas geriamajam vandeniui pašildyti. Įrenginys gali būti skirtas vienam vandens paėmimo taškui.

Įranga skirta naudoti buityje. Specialiai nemokyti asmenys ją gali saugiai valdyti. Įranga gali būti naudojama ne tik buityje, o, pavyzdžiui, smulkioje įmonėje, jei ji naudojama tokiu pat būdu.

Kitoks arba platesnis naudojimas reiškia naudojimą ne pagal paskirtį. Norint naudoti pagal paskirtį, taip pat būtina laikytis šios ir pritaikytų priedų instrukcijų. Darant pakeitimus arba pertvarkant prietaisą bet kokia garantija nustoja galioti.

2.2 Bendrosios saugos nuorodos



ĮSPĖJIMAS Nudegimo pavojus

Maišytuvus darbinio režimo metu gali įkaisti per 60 °C.

Jei ištekancio vandens temperatūra aukštesnė nei 43 °C, kyla pavojus nusiplikyti.



ĮSPĖJIMAS Sužeidimo pavojus

Temperatūros rinkiklį gali nuimti tik specialistas.



ĮSPĖJIMAS Sužeidimo pavojus

Įranga gali naudotis vaikai nuo 8 metų, taip pat asmenys su fizine, sensorine ar protine negalia arba asmenys, turintys mažiau patirties ar žinių, jei yra prižiūrimi, arba jei buvo išmokyti įrangą saugiai naudoti ir suprato pavojus, kurie gali kilti naudojant. Neleiskite vaikams žaisti su įranga. Įrangos valymo ir priežiūros darbų neleidžiama atlikti vaikams be suaugusiųjų priežiūros.



Turtinė žala

Savininkas vandens vamzdžius ir maišytuvą turi apsaugoti nuo šalčio.



Turtinė žala

Saugokite įrenginį nuo vandens slėgio. Maišytuve sklendei numatyta vėdinimo ir oro ištraukimo funkcija. Kalkės gali užkimšti išleidimo angą ir dėl to gali padidėti slėgis įrenginyje.

» Eksploatuokite įrenginį tik su specialiu atviru (be slėgio) maišytuvu.

» Niekada neužkimškite maišytuvo angos.

» Karšto vandens šildytuvuose be slėgio naudokite tik specialius srauto aeratorius.

» Nenaudokite žarnos maišytuvo išvesčiai pailginti.



Turtinė žala

Jei įrenginys prijungimas per laikmatį, įvyksta apsauginės temperatūros ribotuvo netyčinis nustatymas iš naujo.

» Nejunkite įrenginio prie elektros tinklo per laikmatį.

2.3 Sertifikatai

Žr. parametrų lentelę ant įrenginio.

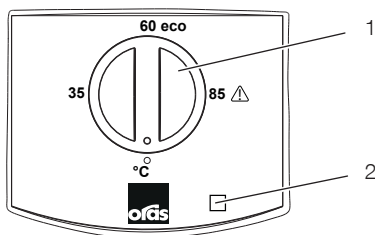
3 ĮRENGINIO APRAŠYMAS

Atviraime (be slėgio) įrenginyje nuolat yra tam tikras nustatytos temperatūros paruošto vandens kiekis. Įrenginys įsijungia automatiškai, kai temperatūra nukrenta žemiau nustatytos vertės. Kaitinant per maišytuvo angą laša išsiplėtęs vanduo. Įrenginį galima montuoti tik su specialiais maišytuvais, kurie pritaikyti atviriems karšto vandens šildytuvams (be slėgio).

Atsižvelgiant į metų laiką dėl skirtingų šalto vandens įleidimo temperatūrų gaunami skirtingi maksimalūs maišomo vandens ir išleidžiamo vandens kiekiai.

3.1 Valdymas

Pageidaujama karšto vandens išleidimo temperatūra gali būti bėpakopiu būdu nustatyta temperatūros reguliatoriumi. Kaitinimo proceso metu šviečia kaitinimo indikatorius.



- 1 Temperatūros reguliatorius
- 2 Kaitinimo indikatorius

Dėl sistemos ypatumų temperatūra gali skirtis nuo nustatytosios reikšmės.

°C šaltas. Naudojant šį nustatymą, įrenginys apsaugotas nuo užšalimo. Maišytuvai ir vandens vamzdžiai nėra apsaugoti nuo šalčio.

- eco rekomenduojamas energijos taupymo nustatymas (apytiksl. 60 °C), nedidelis nuovirų formavimasis
- 85 maksimalus temperatūros nustatymas

4 VALYMAS IR TECHNINĖ PRIEŽIŪRA

- » Nenaudokite abrazyvių arba tirpinančių valymo priemonių. Įrenginį užtenka nuvalyti drėgna šluoste.
- » Reguliariai tikrinkite maišytuvą. Ties maišytuvo anga esančias kalkes galite pašalinti komercinėmis kalkių šalinimo priemonėmis.

Beveik visais atvejais vanduo, įkaitintas iki aukštos temperatūros, išskiria kalkes. Ant įrenginio esančios kalkių apnašos veikia jo funkcijas ir eksploataavimo laiką. Todėl nuo kaitinimo elementu, jei reikia, turėtų būti nuvalytos kalkės. Specialistas, žinantis vietos vandens kokybę, paskirs kalkių šalinimo laiką.

5 PROBLEMŲ ŠALINIMAS

Problema	Priežastis	Pašalinimas
Įrenginys netiekia karšto vandens.	Temperatūros reguliatorius nustatytas į „°C“ padėtį.	Įjunkite įrenginį pasukdami temperatūros reguliatorių.
	Įrenginyje nėra įtampos.	Patikrinkite namo elektros instaliacijos kištuką / saugiklius.
Leidžiant vandenį matomas sumažėjęs praleidžiamas srautas.	Filtrai ar srauto ribotuvas yra užsikimšę nešvarumais.	Pašalinkite nešvarumus iš filtro ir srauto ribotuvo.
Įrenginyje girdimi stiprūs virimo garsai.	Įrenginys užkalkėjęs.	Tegul iš įrenginio kalkės išvalo specialistas.

Jeigu negalite pašalinti gedimo, kvieskite specialistą. Norėdami gauti geresnę ir greitesnę pagalbą, pasakykite jam numerius, nurodytus įrenginio techninių duomenų lentelėje:

Type: ORAS 5



O-No. 601680

S-No. 234013

F-No. 0000 - 000000

D0000041686

6 SAUGA

Įrenginio montavimo, pirmojo paleidimo, techninės priežiūros ir remonto darbus gali atlikti tik specialistai.

6.1 Bendrosios saugos nuorodos

Garantuojame, kad įrenginys veiks sklandžiai ir saugiai, tik jei naudosite jam pritaikytus originalius priedus ir originalias atsargines dalis.

6.2 Nuostatai, standartai ir taisyklės



Nuoroda

Laikykitės šalyje ir regione galiojančių nuostatų ir taisyklių.

7 ĮRENGINIO APRAŠYMAS

Atviras (be slėgio) įrenginys skirtas montuoti po kriaukle. Įrenginys skirtas šaltam vandeniui šildyti viename vandens paėmimo taške. Įrenginys gali būti sumontuotas tik su specialiu atviru maišytuvu (be slėgio).

7.1 Standartinis komplektas

Su įrenginiu kartu pristatoma:

- Sieninė pakaba

8 PASIRUOŠIMAS

» Gerai praskalaukite vandens vamzdžius.

Vandens įranga

Apsauginis vožtuvas nebūtinas.

Maišytuvai

Paprastų uždarytų maišytuvų naudoti negalima.

» Montuokite tik specialius atvirus maišytuvus.

8.1 Montavimo vieta



Turtinė žala

Montuoti įrenginį galima tik nuo šalčio apsaugotoje patalpoje.

» Laikykite išmontuotą įrenginį nuo šalčio apsaugotoje patalpoje, nes jame yra likučių vandens, kuris gali užšalti ir apgadinti įrenginį.



Turtinė žala

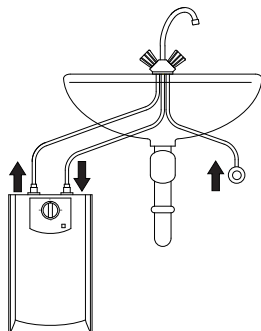
Sumontuokite įrenginį ant sienos. Siena turi būti pakankamai tvirta.



Nuoroda

Įrenginys skirtas tik montuoti po kriaukle. Įrenginio vandens jungtys nukreiptos į viršų.

Įrenginį montuokite vertikaliai ir netoli nuo vandens paėmimo taško.



D0000048988

9 MONTAVIMAS

9.1 Įrenginio montavimas

- » Pasižymėkite angų parametrus ant sienos (žr. skyrių „Montavimas / Techniniai duomenys / Matmenys ir jungtys“).
- » Išgręžkite angas ir įkiškite į jas tinkamus inkarus.
- » Pritvirtinkite sieninę pakabą tinkamais varžtais.
- » Užkabinkite įrenginį ant sieninės pakabos.

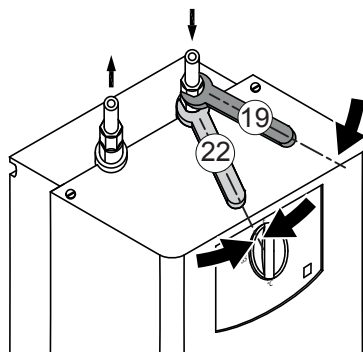
9.2 Vandens prijungimas

! Turtinė žala
Vandens prijungimo ir įrengimo darbus atlikite laikydamiesi instrukcijų.

! Turtinė žala
Įrenginys gali prakiurti ir nebeveikti. Iš prakiurusio įrenginio ištekėjęs vanduo gali padaryti žalos.

- » Saugokite įrenginį nuo vandens slėgio.
- » Nesukeiskite vietomis vandens jungčių.
- » Nustatykite srauto debitą (žr. maišytuvo instrukciją). Atkreipkite dėmesį į didžiausią leistiną srauto debitą, kai maišytuvą visiškai atviras (žr. skyrių „Montavimas / Techniniai duomenys / Duomenų lentelė“).

! Turtinė žala
Priveržiant tvirtinimo varžtus juos reikia prilaikyti tinkamu veržliarakčiu.



D0000049045

Maišytuvo vandens jungtis ir įrenginio atvamzdžius sutapdinkite pagal spalvas:

- Dešinėje mėlyna = „Šalto vandens išleidimas“
- Kairėje raudona = „Karšto vandens išleidimas“
- » Priveržkite prie įrenginio maišytuvo vandens jungtis.



Nuoroda

Įsitikinkite, kad montuojant vandens jungtys nebūtų sulenktos. Montuodami venkite įtempimo.

9.3 Prijungimas prie elektros tinklo



ĮSPĖJIMAS Elektros smūgio pavojus

Elektros prijungimo ir įrengimo darbus atlikite laikydamiesi instrukcijų.



ĮSPĖJIMAS Elektros smūgio pavojus

Kai naudojama nuolatinė jungtis prie elektros tinklo per įrenginio lizdą, reikia, kad visus įrenginio polių galima būtų atskirti nuo elektros tinklo bent per 3 mm.



ĮSPĖJIMAS Elektros smūgio pavojus

Užtikrinkite, kad įrenginys būtų prijungtas prie apsauginio laidininko.



Turtinė žala

Techninių duomenų lentelėje nurodyta įtampa turi atitikti tinklo įtampą.

» Atsižvelkite į įrenginio lentelėje pateikiamus duomenis.

Leidžiama ši prijungimo prie elektros tinklo galimybė:

	Oras 5
Jungtis su atitinkamu kištuku prie įžeminto elektros lizdo	X
Fiksuota jungtis prie įrenginio lizdo su apsauginiu laidininku	X

10 PIRMASIS ĮJUNGIMAS



ĮSPĖJIMAS Elektros smūgio pavojus

Eksploatacijos pradžioje įrenginį gali tvarkyti tik specialistas, laikydamasis saugos taisyklių.

10.1 Pirmasis įjungimas

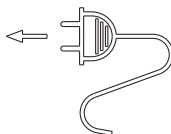
1.

60 sek.

5L



2.



- » Atidarykite vienos svirties valdomą maišytuvą ties padėtimi „šiltas“ ir laukite, kol pradės bėgti vanduo be burbulų.
- » Įkiškite kištuką į įžemintą elektros lizdą arba įjunkite namų elektros tinklo saugiklį.
- » Pasirinkite temperatūrą.
- » Patikrinkite visų vandens įrenginių sandarumą.



Nuoroda

Jei nesilaikoma jungčių sekos (pirma vanduo, po to elektros srovė), suveikia apsauginis temperatūros ribotuvas.

Darykite taip:

- » Atjunkite įrenginį nuo elektros tinklo.
- » Užpildykite įrenginį vandeniu.
- » Prijunkite įrenginį prie elektros tinklo.

10.1.1 Įrenginio perdavimas

- » Išaiškinkite naudotojui prietaiso funkcijas. Paaiškinkite, kaip naudotis įrenginiu.
- » Įspėkite naudotoją apie galimus pavojus, ypač apie nuplikymo pavojų.
- » Perduokite šias instrukcijas ir, jei yra, taip pat priedų instrukcijas.

10.2 Pakartotinis paleidimas

Žr. skyrių „Montavimas / Eksploatacijos pradžia“

11 ĮRANGOS IŠJUNGIMAS

- » Atjunkite įrenginį nuo maitinimo šaltinio, t. y. ištraukite kištuką arba išjunkite namų elektros tinklo saugiklį.
- » Ištuštinkite įrenginį (žr. skyrių „Montavimas / Techninė priežiūra / Įrenginio ištuštinimas“).

12 TRIKDŽIŲ ŠALINIMAS

Triktis	Priežastis	Pašalinimas
Įrenginys netiekia karšto vandens.	Įsijungė apsauginis temperatūros ribotuvas.	Pašalinkite gedimo priežastį. Jei reikia, pakeiskite temperatūros reguliatorių. Leiskite įrenginiui atvėsti. Jei prijungėte įrenginį be įtamos, apsauginis temperatūros ribotuvas automatiškai nustatomas iš naujo.
Įrenginyje girdimi stiprūs virimo garsai.	Įrenginys užkalkėjęs.	Pašalinkite kalkes iš įrenginio.

13 TECHNINĖ PRIEŽIŪRA



ĮSPĖJIMAS Elektros smūgio pavojus

Atlikdami bet kokius darbus visiškai atjunkite įrenginį nuo elektros tinklo.

- » Išardykite įrenginį techninės priežiūros darbams.

13.1 Įrenginio ištuštinimas



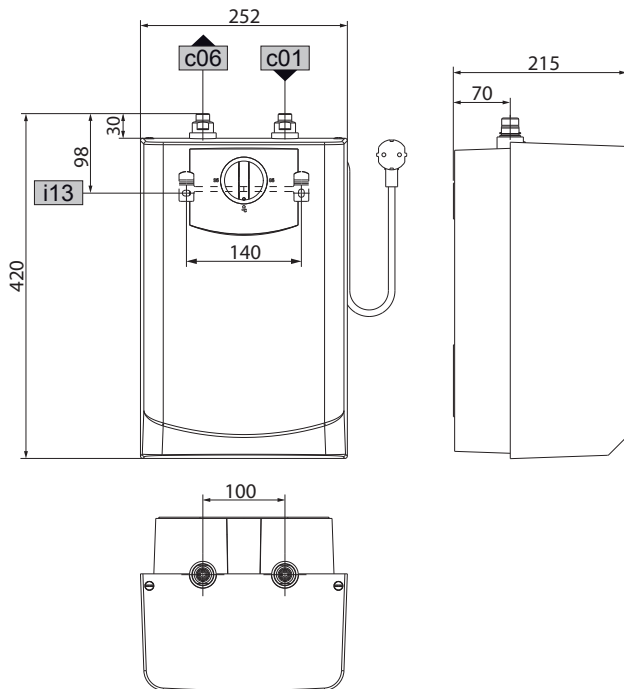
ĮSPĖJIMAS Nudėgimo pavojus

Išleidžiamas vanduo gali būti karštas.

- » Išleiskite skystį iš įrenginio per jungties antgalį.

14 TECHNINIAI DUOMENYS

14.1 Matmenys ir jungtys

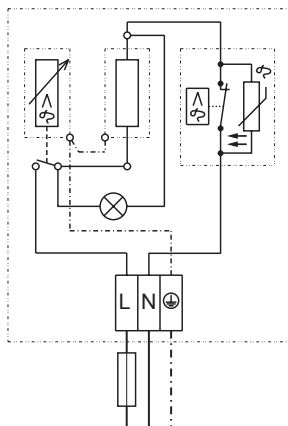


D0000041660

		Oras 5
c01	Šalto vandens įleidimas	Išorinis sriegis G 3/8 A
c06	Karšto vandens išleidimas	Išorinis sriegis G 3/8 A
i13	Sieninė pakaba	

14.2 Elektros instaliacijos schema

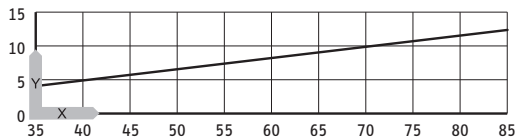
1/N/PE ~ 230 V



85_02_06_0001

14.3 Pašildymo diagrama

Pašildymo trukmė priklauso nuo užkalkėjimo ir likutinės šilumos. Duomenis dėl šalto vandens pašildymo laiko, kai įleidimo temperatūra siekia 10 °C, ir dėl maksimalios temperatūros nustatymų rasite diagramoje.



x Temperatūra (°C)

y Trukmė min.

D0000047175

14.4 Su konkrečiomis šalimis susiję leidimai ir pažymėjimai

Patikros žyma pateikta techninių duomenų lentelėje.

14.5 Ekstremalios darbo sąlygos ir gedimų prielaidos

Gedimo atveju įrenginys gali trumpam įkaisti iki 100 °C.

14.6 Energijos suvartojimo duomenys

Gaminio duomenys atitinka su ekologinio projektavimo su energija susijusiems gaminiams direktyva (ErP) susijusių ES reglamentų reikalavimus.

			Oras 5
			234013
Gamintojas			Oras
Apkrovos profilis			XXS
Energijos efektyvumo klasė			A
Energetinio efektyvumo laipsnis		%	38
Kasmetinės elektros energijos sąnaudos		kWh	489
Temperatūros nustatymas gamykloje		°C	55
Triukšmo lygis		dB(A)	15
Kasdienės elektros energijos sąnaudos		kWh	2,267

14.7 Duomenų lentelė

		Oras 5
		234013
Hidraulikos duomenys		
Vardinė talpa	l	5
Sumaišyto vandens kiekis 40 °C	l	10
Elektros duomenys		
Vardinė įtampa	V	230
Vardinė galia	kW	2,0
Vardinė srovė	A	8,7
Saugiklis	A	10
Fazės		1/N/PE
Dažnis	Hz	50/60
Sąlygos		
Temperatūros nustatymo skalė	°C	35-85
Didžiausias leistinas slėgis	MPa	0
Maksimalus srautas	l/min	5
Energijos duomenys		
Energijos efektyvumo klasė		A
Modeliai		
Šilumos izoliacijos medžiaga		EPS
Apsaugos tipas (IP)		IP24 D
Montavimo tipas po plautuve		X
Konstrukcija		atvira
Vidinio rezervuaro medžiaga		PP
Korpuso medžiaga		PS
Spalva		balta
Jungtys		
Vandens prijungimas		G 3/8 A
Matmenys		
Gylis	mm	215
Aukštis	mm	420
Plotis	mm	252
Svoriai		
Svoris	kg	3,4

ĪPAŠI NORĀDĪJUMI**APKALPOŠANA**

1	VISPĀRĪGI NORĀDĪJUMI	108
1.1	Drošības norādījumi	108
1.2	Pārējie apzīmējumi šajā dokumentā	108
1.3	Mērvienības	108
2	DROŠĪBA	109
2.1	Mērķim atbilstoša izmantošana	109
2.2	Vispārīgie drošības norādījumi	109
2.3	Atzīme par pārbaudi	109
3	IEKĀRTAS APRAKSTS	110
3.1	Apkalpošana	110
4	TĪRĪŠANA, KOPŠANA UN APKOPE	110
5	PROBLĒMU NOVĒRŠANA	111

INSTALĒŠANA

6	DROŠĪBA	112
6.1	Vispārīgie drošības norādījumi	112
6.2	Priekšraksti, standarti un noteikumi	112
7	IEKĀRTAS APRAKSTS	112
7.1	Piegādes komplekts	112
8	SAGATAVOŠANĀS DARBI	112
8.1	Montāžas vieta	112
9	MONTĀŽA	113
9.1	Iekārtas montāža	113
9.2	Pievienošana ūdensvadam	113
9.3	Pievienošana elektrotīklam	114
10	EKSPLUATĀCIJAS SĀKŠANA	114
10.1	Pirmreizējā ekspluatācijas sākšana	114
10.2	Atkārtota ekspluatācijas uzsākšana	115
11	NOŅEMŠANA NO EKSPLOATĀCIJAS	115
12	TRAUCĒJUMU NOVĒRŠANA	115
13	APKOPE	115
13.1	Iekārtas iztukšošana	115
14	TEHNISKIE DATI	116
14.1	Izmēri un savienojumi	116
14.2	Elektriskā shēma	117
14.3	Sildīšanas diagramma	117
14.4	Valsts specifiskie sertifikāti un apliecības	117
14.5	Ekstrēmi izmantošanas un traucētas darbības apstākļi	117
14.6	Enerģijas patēriņš	117
14.7	Datu tabula	118

- Iekārtu drīkst lietot bērni no 8 gadu vecuma un personas ar ierobežotām fiziskām, sensoriskām vai garīgām spējām vai nepietiekamu pieredzi un zināšanām, ja to darbība tiek uzraudzīta vai tās ir saņēmušas norādījumus par drošu iekārtas lietošanu un ir sapratušas, kādi apdraudējumi no tās izriet. Neļaujiet bērniem rotaļāties ar iekārtu. Bērni nedrīkst veikt tīrīšanu un apkopi lietotāja līmenī, ja viņu darbība netiek uzraudzīta.
- Stacionāri pievienojot pie elektrotīkla, izmantojot iekārtas kontaktligzdu, jābūt iespējai atvienot iekārtu no tīkla ar vismaz 3 mm izolējošo atstarpi, kas atvieno visus polus.
- Bojātu pieslēguma kabeli drīkst nomainīt tikai ar oriģinālo rezerves detaļu un to drīkst darīt vienīgi ražotāja pilnvarots speciālists.
- Nepieslēdziet iekārtu kopā ar taimeru.
- Piestipriniet iekārtu, kā aprakstīts nodaļā „Instalēšana / Montāža”.
- Sildīšanas laikā no jaucējkrāna pil liekais ūdens, ko rada izplešanās.
- Iekārtu drīkst instalēt vienīgi ar atvērtu (bez spiediena) jaucējkrānu.
- Nepakļaujiet iekārtu ūdens spiedienam.
- Jaucējkrāna izteikai ir ventilācijas funkcija. Kaļķi var nosprostot izteku, tādējādi radot iekārtā spiedienu.
- Nekad nenošlēdziet jaucējkrāna izteku.
- Izmantojiet vienīgi speciālu aeratoru, kas paredzēts karstā ūdens tvertnēm bez spiediena.
- Nelietojiet šļūteni, lai pagarinātu jaucējkrāna izteku.
- Iztukšojiet iekārtu, kā aprakstīts nodaļā „Instalēšana / Apkope / Iekārtas iztukšošana”.

1 VISPĀRĪGI NORĀDĪJUMI

Nodaļa „Īpaši norādījumi” un „Apkalpošana” ir paredzēta iekārtas lietotājam un speciālistam.

Nodaļa „Instalēšana” ir paredzēta speciālistam.



Norādījums

Pirms lietošanas uzmanīgi izlasiet instrukciju un saglabājiet to.

Nododiet instrukciju nākamajam lietotājam, ja rodas tāda situācija.

1.1 Drošības norādījumi

1.1.1 Drošības norādījumu uzbūve



SIGNĀLVĀRDS Bīstamība

Šeit minētas iespējamās sekas, ja netiek ievēroti drošības norādījumi.

» Šeit minēti pasākumi, kā izvairīties no bīstamības riska.

1.1.2 Simboli, bīstamība

Simbols	Bīstamība
	Trauma
	Strāvas trieciens
	Apdegumi (apdegumi, applaucēšanās)

1.1.3 Signālvārds

SIGNĀLVĀRDS	Nozīme
BĪSTAMI	Neievērojot šos norādījumus, tiek gūtas smagas traumas vai zaudēta dzīvība.
BRĪDINĀJUMS	Neievērojot šos norādījumus, var gūt smagas traumas vai zaudēt dzīvību.
UZMANĪBU	Neievērojot šos norādījumus, var gūt vidēji smagas vai vieglas traumas.

1.2 Pārējie apzīmējumi šajā dokumentā



Norādījums

Vispārīgos norādījumus raksturo līdzās attēlotais simbols.

» Uzmanīgi izlasiet norādījumu tekstus.

Simbols	
	Kaitējums īpašumam (Kaitējums iekārtai, izrietošs kaitējums, kaitējums apkārtējai videi)
	Iekārtas utilizācija

» Šis simbols norāda uz darbību, kas jums ir jāveic. Veicamās darbības ir aprakstītas soli pa solim.

1.3 Mērvienības



Norādījums

Ja nav norādīts citādi, visi izmēri ir milimetros.

2 DROŠĪBA

2.1 Mērķim atbilstoša izmantošana

Atvērtā (bez spiediena) iekārta ir paredzēta dzeramā ūdens sildīšanai. Iekārta var apgādāt vienu patēriņa vietu.

Iekārta ir paredzēts lietot mājas apstākļos. Personas, kas nav apmācītas, nevar to lietot droši. Iekārta drīkst lietot arī citā vidē, kas nav mājsaimniecība, piemēram, mazā uzņēmumā, ja vien lietošanas veids ir līdzīgs.

Citāda vai plašāka izmantošana vairs neatbilst paredzētajam mērķim. Paredzētajam mērķim atbilstoša izmantošana nozīmē arī instrukcijas ievērošanu un izmantoto piederumu instrukciju ievērošanu. Modificējot vai pārbūvējot iekārta, tiek zaudētas tiesības uz jebkādiem garantijas pakalpojumiem.

2.2 Vispārīgie drošības norādījumi



BRĪDINĀJUMS Apdegumi

Darbības laikā armatūra var uzkarst virs 60 °C.

Kad izejas temperatūra ir augstāka par 43 °C, pastāv risks applaucēties.



BRĪDINĀJUMS Traumas

Temperatūras iestatīšanas pogu drīkst izņemt vienīgi speciālists.



BRĪDINĀJUMS Traumas

Iekārta drīkst lietot bērni no 8 gadu vecuma un personas ar ierobežotām fiziskām, sensoriskām vai garīgām spējām vai nepietiekamu pieredzi un zināšanām, ja to darbība tiek uzraudzīta vai tās ir saņemušas norādījumus par drošu iekārtas lietošanu un ir sapratušas, kādi apdraudējumi no tās izriet. Neļaujiet bērniem rotaļāties ar iekārta. Bērni nedrīkst veikt tīrīšanu un apkopi lietotāja līmenī, ja viņu darbība netiek uzraudzīta.



Kaitējums īpašumam

Lietotājam ir jāsarģā iekārta, ūdens caurules un armatūra no sasalšanas.



Kaitējums īpašumam

Nepaļaujiet iekārta ūdens spiedienam. Armatūras izvadam ir ventilācijas funkcija. Kaļķi var nosprostot izvadu, tādējādi radot iekārta spiedienu.

» Eksploatējiet iekārta tikai ar atvērtu (bez spiediena) armatūru.

» Nekad nenoslēdziet armatūras izvadu.

» Izmantojiet vienīgi speciālu aeratoru, kas paredzēts karstā ūdens tvertnēm bez spiediena.

» Nelietojiet šļūteni, lai pagarinātu armatūras izvadu.



Kaitējums īpašumam

Pieslēdzot iekārta kopā ar taimeru, tiek neparedzēti atiestatīts drošības temperatūras ierobežotājs.

» Nepievienojiet iekārta pie elektrotīkla kopā ar taimeru.

2.3 Atzīme par pārbaudi

Skatīt tipa plāksnīti uz iekārtas.

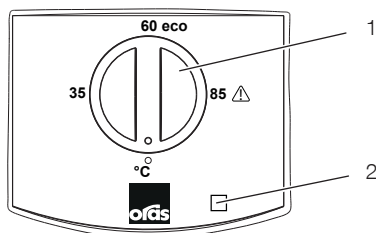
3 IEKĀRTAS APRAKSTS

Atvērtā (bez spiediena) iekārtā pastāvīgi atrodas ūdens iepriekš izvēlētajā temperatūrā. Iekārta ieslēdzas automātiski, tiklīdz temperatūra iekārtā pazeminās zem iestatītās vērtības. Sildīšanas laikā no jaucējkrāna pil liekais ūdens, ko rada izplešanās. Iekārtu drīkst instalēt tikai ar armatūrām, kas paredzētas atvērtām (bez spiediena) karstā ūdens tvertnēm.

Tā kā aukstā ūdens temperatūra dažādos gadalaikos ir atšķirīga, tiek iegūti atšķirīgi maksimālie sajauktā ūdens un izplūstošā ūdens daudzumi.

3.1 Apkalpošana

Vēlamo karstā ūdens izejas temperatūru jūs varat bez pakāpēm regulēt ar temperatūras iestatīšanas pogu. Sildīšanas laikā deg indikators.



1 Temperatūras iestatīšanas poga

2 Indikators

Atkarībā no sistēmas darbības temperatūra var novirzīties no nominālās vērtības.

°C auksts. Šajā iestatījumā iekārta ir pasargāta no sasalšanas. Armatūra un ūdens caurules nav pasargātas.

eco ieteicamais energoekonomiskais iestatījums (ap 60 °C), veidojas mazāk kaļķakmens

85 maksimālā iestatāmā temperatūra

4 TĪRĪŠANA, KOPŠANA UN APKOPE

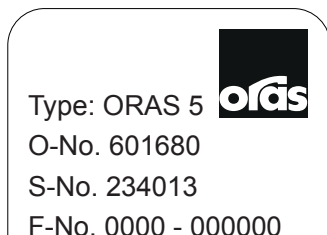
- » Nelietojiet abrazīvus vai šķīdinājošus tīrīšanas līdzekļus. Iekārtas kopšanai un tīrīšanai pietiek ar mitru drānu.
- » Regulāri pārbaudiet jaucējkrānu. Kaļķu nogulsņņumus jaucējkrāna iztekā jūs varat notīrīt ar tirdzniecībā pieejamiem atkaļķošanas līdzekļiem.

Augstā temperatūrā kaļķu nogulsņņumi veidojas praktiski no jebkādas kvalitātes ūdens. Tie paliek iekārtā un ietekmē tās darbību un darbmūža ilgumu. Tāpēc sildķermeņus vajadzētu atkaļķot pēc vajadzības. Speciālists, kas zina vietējā ūdens īpašības, pateiks jums, pēc cik ilga laika būs vajadzīga atkaļķošana.

5 PROBLĒMU NOVĒRŠANA

Problēma	Cēlonis	Novēršana
Iekārta nepadod karstu ūdeni.	Temperatūras iestatīšanas poga ir noregulēta uz „°C”.	Ieslēdziet iekārtu, pagriežot temperatūras iestatīšanas pogu.
	Iekārtai nepienāk spriegums.	Pārbaudiet spraudni / drošinātājus ēkas instalācijā.
Ūdeni var patērēt tikai samazinātā daudzumā.	Dubļu filtri un/ vai plūsmas ierobežotājs ir netīrs.	Iztīriet dubļu filtrus un plūsmas ierobežotāju.
Iekārtā ir skaļš vārišanās trokšnis.	Iekārta ir apkaļķojusies.	Lieciet speciālistam atkalņot iekārtu.

Ja nevarat novērst cēloni, izsauciet speciālistu. Lai viņš varētu labāk un ātrāk palīdzēt, nosauciet numurus no tipa plāksnītes:



D0000041686

6 DROŠĪBA

Instalēt iekārtu, uzsākt ekspluatāciju, veikt apkopi un remontu drīkst tikai speciālists.

6.1 Vispārīgie drošības norādījumi

Mēs garantējam nevainojamu darbību un darba drošumu tikai tad, ja tiek izmantoti iekārtas oriģinālie piederumi un oriģinālās rezerves daļas.

6.2 Priekšraksti, standarti un noteikumi



Norādījums

Ievērojiet visus nacionālos un reģionālos priekšrakstus un noteikumus.

7 IEKĀRTAS APRAKSTS

Atvērtā (bez spiediena) iekārta ir piemērota tikai montāžai zem izlietnes. Iekārta ir paredzēta, lai sildītu auksto ūdeni vienai patēriņa vietai. Iekārtu drīkst instalēt vienīgi ar atvērtu (bez spiediena) jaucējkrānu.

7.1 Piegādes komplekts

Kopā ar iekārtu piegādā:

- Montāža pie sienas

8 SAGATAVOŠANĀS DARBI

» Kārtīgi izskalojiet ūdens cauruli.

Pievienošana ūdensvadam

Drošības vārsts nav nepieciešams.

Armatūras

Slēgti jaucējkrāni nav pieļaujamas.

» Iemontējiet atvērtu armatūru.

8.1 Montāžas vieta



Kaitējums īpašumam

Iekārtu drīkst instalēt tikai tādā telpā, kas ir pasargāta no sala.

» Demontēto iekārtu uzglabājiet no sala pasargātā vietā, jo iekārtā vēl ir palicis ūdens, kas sasalstot var radīt bojājumus.



Kaitējums īpašumam

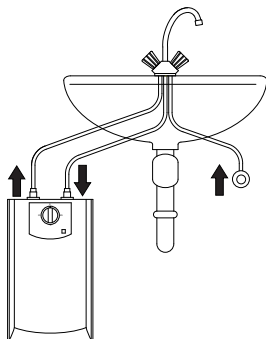
Piemontējiet iekārtu pie sienas. Sienai jābūt ar pietiekamu nestspēju.



Norādījums

Iekārta ir piemērota vienīgi montāžai zem izlietnes. Iekārtas ūdens pieslēguma īscaurules ir vērstas uz augšu.

Piemontējiet iekārtu vertikālā pozīcijā netālu no ūdens patēriņa vietas.



D0000048988

9 MONTĀŽA

9.1 Iekārtas montāža

- » Atzīmējiet uz sienas izmērus, kur jābūt caurumiem (skat. nodaļu „Instalēšana / Tehniskie dati / Izmēri un savienojumi”).
- » Izurbiet caurumus un ielieciet piemērotus dībeļus.
- » Piestipriniet sienas piekari ar piemērotām skrūvēm.
- » Uzkabiniet iekārtu pie sienas piekares.

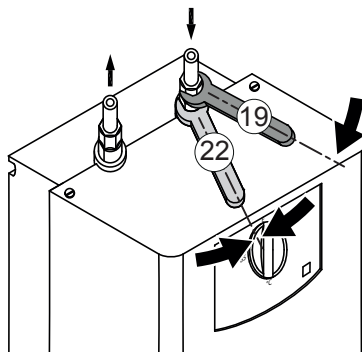
9.2 Pievienošana ūdensvadam

! Kaitējums īpašumam
Visus ūdensvada pievienošanas un instalēšanas darbus veiciet atbilstoši priekšrakstiem.

! Kaitējums īpašumam
Iekārta var kļūt nehermētiska un funkcionāli nederīga. No nehermētiskas iekārtas pilošais ūdens var radīt bojājumus.

- » Nepakļaujiet iekārtu ūdens spiedienam.
- » Nesajauciet ūdens pieslēguma īscaurules.
- » Iestatiet caurplūdes daudzumu (skatīt armatūras instrukciju). Ņemiet vērā maksimālo pieļaujamo caurplūdes daudzumu, kad armatūra ir atvērta līdz galam (skat. nodaļu „Instalēšana / Tehniskie dati / Datu tabula”).

! Kaitējums īpašumam
Saskrūvējot vītņsavienojumus, otru detaļu pieturiet ar piemērotu uzgriežņu atslēgu.



D0000049045

Jaucējkrāna pievadu un iekārtas marķējuma krāsām ir jāsakrīt:

- Labā puse zila = „aukstā ūdens ieeja”
- Kreisā puse sarkana = „karstā ūdens izeja”
- » Pārlecinieties, ka jaucējkrāna izvads ir stingri pieskrūvēts iekārtai.



Norādījums

Raugieties, lai ūdens pieslēguma caurules montāžas laikā netiktu nolocītas. Pasargājiet pievadus no jebkāda nostiepšanas vai sprieguma.

9.3 Pievienošana elektrotīklam



BRĪDINĀJUMS Strāvas trieciens

Visus elektrotīkla pievienošanas un elektroinstalēšanas darbus veiciet atbilstoši priekšrakstiem.



BRĪDINĀJUMS Strāvas trieciens

Stacionāri pievienojot pie elektrotīkla, izmantojot iekārtas kontaktligzdu, jābūt iespējai atvienot iekārtu no tīkla ar vismaz 3 mm izolējošo atstarpi, kas atvieno visus polus.



BRĪDINĀJUMS Strāvas trieciens

Raugieties, lai iekārta būtu pievienota pie zemējuma vada.



Kaitējums īpašumam

Datu plāksnītē norādītajam spriegumam ir jābūt vienādam ar tīkla spriegumu.
» **Nemiet vērā tipa plāksnīti.**

Ir pieļaujamas šādas elektriskā pieslēguma iespējas:

	Oras 5
Pieslēgums pie brīvi pieejamas iezemētas kontaktligzdas ar atbilstošu spraudni	X
Stacionārs pieslēgums pie iekārtas kontaktligzdas ar zemējuma vadu	X

10 EKSPLOATĀCIJAS SĀKŠANA



BRĪDINĀJUMS Strāvas trieciens

Iekārtas ekspluatāciju drīkst uzsākt vienīgi speciālists, ievērojot visus drošības noteikumus.

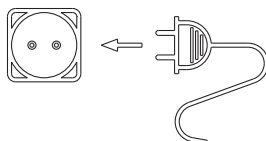
10.1 Pirmreizējā ekspluatācijas sākšana

1.

60 sek.
5L



2.



- » Atgrieziet krāna karstā ūdens ventili vai iestatiet viensviras maisītāju uz „silts”, līdz ūdens tek laukā bez burbuļiem.
- » Iespraudiet spraudni iezemētājā kontaktligzdā vai ieslēdziet ēkas instalācijas drošinātāju.
- » Izvēlieties temperatūru.
- » Pārbaudiet visu ūdens instalāciju hermētiskumu.



Norādījums

Ja netiek ievērota secība (vispirms ūdens, tad strāva), nostrādā drošības temperatūras ierobežotājs.

Rīkojieties šādi:

- » Atvienojiet iekārtu no elektrotīkla.
- » Piepildiet iekārtu ar ūdeni.
- » Pievienojiet iekārtu pie elektrotīkla.

10.1.1 Iekārtas nodošana citam lietotājam

- » Izskaidrojiet lietotājam iekārtas darbību. Parādiet viņam, kā lietojama iekārta.
- » Norādiet lietotājam iespējamus riskus, jo īpaši applaucēšanās risku.
- » Atdodiet šo instrukciju un piederumu instrukcijas, ja tādas ir.

10.2 Atkārtota ekspluatācijas uzsākšana

Skatīt nodaļu „Instalēšana / Ekspluatācijas sākšana / Pirmreizējā ekspluatācijas sākšana”.

11 NOŅEMŠANA NO EKSPLUATĀCIJAS

- » Atvienojot spraudni vai izslēdzot ēkas instalācijas drošinātāju, atvienojiet iekārtu no elektrotīkla.
- » Iztukšojiet iekārtu (skatīt nodaļu „Instalēšana / Apkope / Iekārtas iztukšošana”).

12 TRAUCĒJUMU NOVĒRŠANA

Traucējums	Cēlonis	Novēršana
Iekārta nepadod karstu ūdeni.	Ir nostrādājis drošības temperatūras ierobežotājs.	Novērsiet cēloni. Ja nepieciešams, nomainiet temperatūras regulatoru. Ļaujiet iekārtai atdzist. Ja iekārtu atvienojāt no sprieguma, drošības temperatūras ierobežotājs tika automātiski atiestatīts.
Iekārtā ir skaļš vārīšanās troksnis.	Iekārta ir apkalpojusi.	Atkalļaujiet iekārtu.

13 APKOPE



BRĪDINĀJUMS Strāvas trieciens

Pirms jebkādiem darbiem vienmēr atvienojiet iekārtu no elektrotīkla, atvienojot visus polus.

- » Pirms apkopes darbiem demontējiet iekārtu.

13.1 Iekārtas iztukšošana



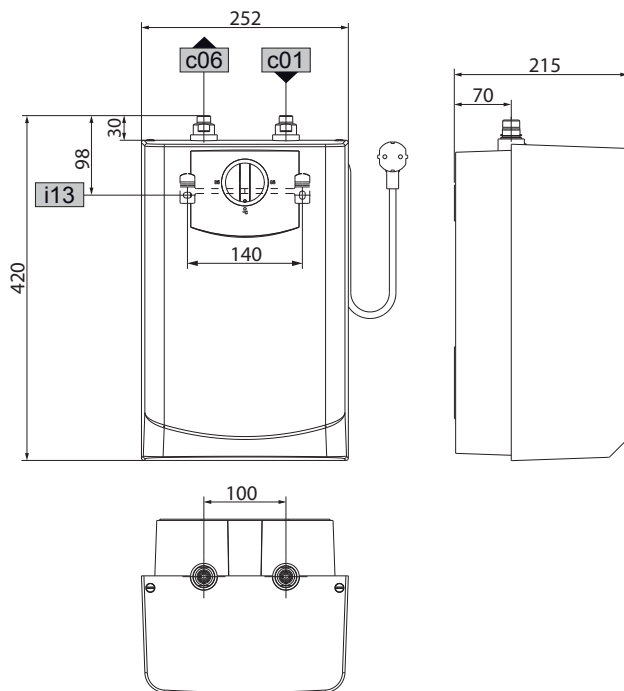
BRĪDINĀJUMS Apdegumi

Iztukšojot var izplūst karsts ūdens.

- » Iztukšojiet iekārtu caur pieslēguma īscaurulēm.

14 TEHNISKIE DATI

14.1 Izmēri un savienojumi

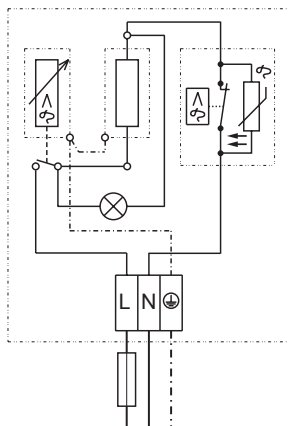


D0000041660

		Oras 5
c01	Aukstā ūdens pievads	Arējā vītne G 3/8 A
c06	Siltā ūdens izvads	Arējā vītne G 3/8 A
i13	Montāža pie sienas	

14.2 Elektriskā shēma

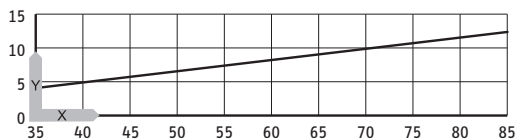
1/N/PE ~ 230 V



85_02_06_0001

14.3 Sildīšanas diagramma

Uzsildīšanas ilgums ir atkarīgs no apkaļķojuma pakāpes un atlikušā siltuma. Uzsildīšanas laiku, ja aukstā ūdens ieejas temperatūra ir 10 °C un iestatīta maksimālā temperatūra, skatiet diagrammā.



x Temperatūra [°C]
y Ilgums [min.]

D0000047175

14.4 Valsts specifiskie sertifikāti un apliecības

Datu plāksnītē ir redzama pārbaudes zīme.

14.5 Ekstrēmi izmantošanas un traucētas darbības apstākļi

Pastāvot traucējumam, temperatūra instalācijā var īslaicīgi pieaugt līdz maks. 100 °C.

14.6 Enerģijas patēriņš

Izstrādājuma dati atbilst ES ekodizaina regulas norādījumiem par ražojumiem, kas saistīti ar enerģiju (ErP).

			Oras 5
			234013
Ražotājs			Oras
Slodzes profils			XXS
Energoefektivitātes klase			A
Enerģijas lietderības koeficients	%		38
Strāvas patēriņš gadā	kWh		489
Temperatūras rūpnīcas iestatījums	°C		55
Skaņas jaudas līmenis	dB(A)		15
Strāvas patēriņš dienā	kWh		2,267

14.7 Datu tabula

		Oras 5
		234013
Hidrauliskie dati		
Nominālais tilpums	l	5
Sajauktā ūdens daudzums, 40 °C	l	10
Elektriskie raksturlielumi		
Nominālais spriegums	V	230
Nominālā jauda	kW	2,0
Nominālā strāva	A	8,7
Drošinātājs	A	10
Fāzes		1/N/PE
Frekvence	Hz	50/60
Lietošanas ierobežojumi		
Temperatūras iestatījumu robežas	°C	35-85
Maks. pieļaujamais spiediens	MPa	0
Maks. caurplūde	l/min	5
Enerģijas patēriņš		
Energoefektivitātes klase		A
Versijas		
Siltumizolācijas materiāls		EPS
Aizsardzības pakāpe (IP)		IP24 D
Montāžas veids – zem izlietnes		X
Tips		atvērts
Iekšējās tvertnes materiāls		PP
Korpusa materiāls		PS
Krāsa		balta
Pieslēguma kārbas		
Pievienošana ūdensvadam		G 3/8 A
Izmēri		
Dziļums	mm	215
Augstums	mm	420
Platums	mm	252
Svars		
Svars	kg	3,4

СПЕЦИАЛЬНЫЕ УКАЗАНИЯ

ЭКСПЛУАТАЦИЯ

1	ОБЩИЕ УКАЗАНИЯ	121
1.1	Указания по технике безопасности	121
1.2	Другие обозначения в данной документации	121
1.3	Единицы измерения	121
2	ТЕХНИКА БЕЗОПАСНОСТИ	122
2.1	Использование по назначению	122
2.2	Общие указания по технике безопасности	122
2.3	Знак технического контроля	122
3	ОПИСАНИЕ УСТРОЙСТВА	123
3.1	Эксплуатация	123
4	ЧИСТКА, УХОД И ТЕХНИЧЕСКОЕ ОБСЛУЖИВАНИЕ	123
5	УСТРАНЕНИЕ ПРОБЛЕМ	124

УСТАНОВКА

6	ТЕХНИКА БЕЗОПАСНОСТИ	125
6.1	Общие указания по технике безопасности	125
6.2	Предписания, стандарты и положения	125
7	ОПИСАНИЕ УСТРОЙСТВА	125
7.1	Комплект поставки	125
8	ПОДГОТОВИТЕЛЬНЫЕ МЕРОПРИЯТИЯ	125
8.1	Место монтажа	125
9	МОНТАЖ	126
9.1	Монтаж прибора	126
9.2	Подключение воды	126
9.3	Электрическое подключение	127
10	ВВОД В ЭКСПЛУАТАЦИЮ	127
10.1	Первый ввод в эксплуатацию	127
10.2	Повторный ввод в эксплуатацию	128
11	ВЫВОД ИЗ ЭКСПЛУАТАЦИИ	128
12	УСТРАНЕНИЕ НЕИСПРАВНОСТЕЙ	128
13	ТЕХНИЧЕСКОЕ ОБСЛУЖИВАНИЕ	128
13.1	Опорожнение прибора	128
14	ТЕХНИЧЕСКИЕ ХАРАКТЕРИСТИКИ	129
14.1	Размеры и подключения	129
14.2	Электрическая схема	130
14.3	Диаграмма нагрева	130
14.4	Государственные допуски и свидетельства	130
14.5	Экстремальные условия эксплуатации и возникновение неисправностей	130
14.6	Характеристики энергопотребления	130
14.7	Таблица параметров	131

- Детям старше 8 лет, а также лицам с ограниченными физическими, сенсорными и умственными способностями, не имеющим опыта и не владеющим информацией о приборе, разрешено использовать прибор только под присмотром других лиц или после соответствующего инструктажа о правилах безопасного пользования и потенциальной опасности в случае несоблюдения этих правил. Не допускать шалостей детей с прибором. Дети могут выполнять чистку прибора и те виды технического обслуживания, которые обычно производятся пользователем, только под присмотром взрослых.
- При неразъемном подключении к сети через приборную розетку прибор должен отсоединяться от сети с раствором контактов не менее 3 ММ на всех полюсах.
- При повреждении кабеля питания или необходимости его замены выполнять эти работы должен только специалист, уполномоченный производителем, и только с использованием оригинального кабеля.
- Запрещено подключение прибора через таймер.
- Закрепить прибор, как описано в главе «Установка / Монтаж».
- Во время нагрева расширяющаяся вода капает через излив смесителя.
- Разрешается устанавливать прибор только с открытой (безнапорной) арматурой.
- Запрещается подвергать прибор давлению водопроводной сети.
- Излив арматуры выполняет функцию сообщения с открытым воздухом. Накипь может перекрыть излив, и прибор окажется под давлением.
- Ни в коем случае не перекрывать излив арматуры!
- Необходимо использовать только специальный смеситель, предназначенный для безнапорных накопительных водонагревателей.
- Запрещено удлинять излив смесителя с помощью шланга.
- Сливать воду из прибора согласно указаниям главы «Установка / Техническое обслуживание / Опорожнение прибора».

1 ОБЩИЕ УКАЗАНИЯ

Главы «Специальные указания» и «Эксплуатация» предназначены для пользователя и специалиста.
Глава «Установка» предназначена для специалистов.



Указание

Перед началом эксплуатации следует внимательно прочитать данное руководство и сохранить его.

При необходимости передать настоящее руководство следующему пользователю.

1.1 Указания по технике безопасности

1.1.1 Структура указаний по технике безопасности



СИГНАЛЬНОЕ СЛОВО Вид опасности

Здесь приведены возможные последствия несоблюдения указания по технике безопасности.
» Здесь приведены мероприятия по предотвращению опасности.

1.1.2 Символы, вид опасности

Символ	Вид опасности
	Травма
	Поражение электрическим током
	Ожог (ожог, обваривание)

1.1.3 Сигнальные слова

СИГНАЛЬНОЕ СЛОВО	Значение
ОПАСНОСТЬ	Указания, несоблюдение которых приводит к серьезным травмам или к смертельному исходу.
ПРЕДУПРЕЖДЕНИЕ	Указания, несоблюдение которых может привести к серьезным травмам или к смертельному исходу.
ОСТОРОЖНО	Указания, несоблюдение которых может привести к травмам средней тяжести или к легким травмам.

1.2 Другие обозначения в данной документации



Указание

Общие указания обозначены приведенным рядом с ними символом.

» Внимательно прочитайте тексты указаний.

Символ	
	Материальный ущерб (повреждение оборудования, косвенный ущерб и ущерб для окружающей среды)
	Утилизация устройства

» Этот символ указывает на необходимость выполнения определенных действий. Описание необходимых действий приведено шаг за шагом.

1.3 Единицы измерения



Указание

Если не указано иное, все размеры приведены в миллиметрах.

2 ТЕХНИКА БЕЗОПАСНОСТИ

2.1 Использование по назначению

Этот открытый (безнапорный) прибор предназначен для нагрева водопроводной воды. Прибор может снабжать одну точку отбора.

Прибор предназначен для бытового использования. Для его безопасного обслуживания пользователю не требуется проходить инструктаж. Возможно использование прибора не только в быту, но и, например, на предприятиях малого бизнеса при условии соблюдения тех же условий эксплуатации.

Любое иное или не указанное в настоящем руководстве использование данного устройства считается использованием не по назначению. Использование по назначению подразумевает соблюдение требований настоящего руководства, а также руководств к используемым принадлежностям. При изменении или модернизации прибора гарантия теряется.

2.2 Общие указания по технике безопасности



ПРЕДУПРЕЖДЕНИЕ ожог

Во время работы смеситель может нагреваться до температуры выше 60 °С. При температуре воды на выходе выше 43 °С существует опасность обваривания.



ПРЕДУПРЕЖДЕНИЕ травма

Поворотный переключатель регулятора температуры разрешено снимать только специалисту.



ПРЕДУПРЕЖДЕНИЕ травма

Детям старше 8 лет, а также лицам с ограниченными физическими, сенсорными и умственными способностями, не имеющим опыта и не владеющим информацией о приборе, разрешено использовать прибор только под присмотром других лиц или после соответствующего инструктажа о правилах безопасного пользования и потенциальной опасности в случае несоблюдения этих правил. Не допускать шалостей детей с прибором. Дети могут выполнять чистку прибора и те виды технического обслуживания, которые обычно производятся пользователем, только под присмотром взрослых.



Материальный ущерб

Пользователь должен обеспечить защиту прибора, водопровода и арматуры от замерзания.



Материальный ущерб

Запрещается подвергать прибор давлению водопроводной сети. Излив арматуры выполняет функция сообщения с открытым воздухом. Накипь может перекрыть излив, и прибор окажется под давлением.

- » Использовать прибор только с открытой (безнапорной) арматурой.
- » Ни в коем случае не перекрывать излив арматуры!
- » Необходимо использовать только специальный смеситель, предназначенный для безнапорных накопительных водонагревателей.
- » Не использовать шлангов для удлинения излива арматуры.



Материальный ущерб

Подключение прибора через таймер приводит к нежелательному сбросу предохранительного ограничителя температуры.

- » Запрещено подключать прибор к электросети через таймер.

2.3 Знак технического контроля

См. заводскую табличку на приборе.

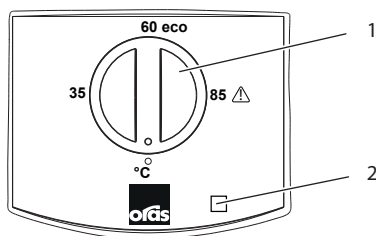
3 ОПИСАНИЕ УСТРОЙСТВА

Открытый (безнапорный) прибор поддерживает температуру воды на постоянном, предварительно заданном уровне. При падении температуры воды в приборе ниже установленного значения прибор автоматически включается. Во время нагрева вода вследствие расширения капает через водоразборную арматуру. Разрешается устанавливать прибор только с арматурой для открытых (безнапорных) накопительных водонагревателей.

В зависимости от времени года температура холодной воды различается, поэтому максимальные объемы смешанной воды и объемы воды на выходе тоже могут варьироваться.

3.1 Эксплуатация

Настройка нужной температуры горячей воды на выходе выполняется при помощи поворотного переключателя бесступенчатого регулятора температуры. Во время нагрева светится соответствующий индикатор.



- 1 Ручка регулятора температуры
- 2 Индикатор нагрева

Температура может отклоняться от заданного значения, что обусловлено свойствами системы.

°C Без нагрева. При такой настройке прибор защищен от замерзания. Арматура и водопроводная линия не защищены.

eco Рекомендуемая настройка энергосберегающего режима (ок. 60 °C), незначительное образование накипи

85 Максимальная настраиваемая температура

4 ЧИСТКА, УХОД И ТЕХНИЧЕСКОЕ ОБСЛУЖИВАНИЕ

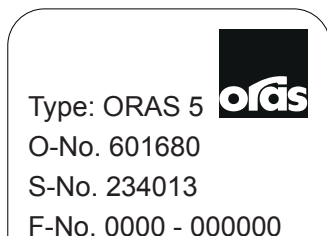
- » Не использовать абразивные или едкие чистящие средства. Для ухода за прибором и очистки корпуса достаточно влажной тканевой салфетки.
- » Необходимо регулярно проверять арматуру. Известковые отложения на изливе смесителя можно удалять с помощью имеющихся в продаже средств для удаления накипи.

Практически любая вода при высоких температурах дает известковый осадок. Он осажается в приборе и влияет на работоспособность и срок службы прибора. Поэтому при необходимости следует очищать нагревательные элементы от накипи. О времени очередного удаления накипи сообщит специалист, знающий качество местной воды.

5 УСТРАНЕНИЕ ПРОБЛЕМ

Проблема	Причина	Способ устранения
Прибор не нагревает воду.	Поворотный переключатель регулятора температуры установлен в положение «°С».	Включить прибор поворотом ручки регулятора температуры.
	На приборе отсутствует напряжение.	Проверить штепсельную вилку и предохранители домашней электросети.
Объем отбора воды уменьшился.	Грязевой фильтр и/или ограничитель потока воды загрязнены.	Очистить грязевой фильтр и ограничитель потока воды.
Сильные шумы в приборе при нагреве воды.	В приборе имеется накипь.	Пригласить специалиста для удаления накипи из прибора.

Если невозможно устранить эту неисправность самостоятельно, нужно пригласить специалиста. Чтобы он смог оперативно помочь, нужно сообщить ему номера, указанные на заводской табличке:



D0000041686

6 ТЕХНИКА БЕЗОПАСНОСТИ

Установка, ввод в эксплуатацию, а также техобслуживание и ремонт прибора должны производиться только специалистом.

6.1 Общие указания по технике безопасности

Безупречная работа прибора и безопасность эксплуатации гарантируются только при использовании соответствующих оригинальных принадлежностей и оригинальных запчастей.

6.2 Предписания, стандарты и положения



Указание

Необходимо соблюдать все общегосударственные и региональные предписания и положения.

7 ОПИСАНИЕ УСТРОЙСТВА

Открытый (безнапорный) прибор подходит для монтажа под раковиной. Прибор предназначен для нагрева холодной воды и снабжения одной точки отбора. Разрешается устанавливать прибор только с открытой (безнапорной) арматурой.

7.1 Комплект поставки

В комплект поставки прибора входят:

- Настенная планка

8 ПОДГОТОВИТЕЛЬНЫЕ МЕРОПРИЯТИЯ

» Тщательно промыть водопроводную систему.

Водопроводные работы

Установка предохранительного клапана не требуется.

Смесители

Запрещено использовать закрытую арматуру.

» Установить открытую арматуру.

8.1 Место монтажа



Материальный ущерб

Прибор разрешено устанавливать только в отопляемом помещении.

» Хранить демонтированный прибор в отопляемом помещении, поскольку в приборе всегда находятся остатки воды, которые могут замерзнуть и повредить его.



Материальный ущерб

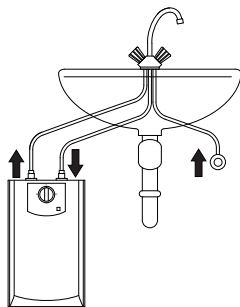
Смонтировать прибор на стене. Стена должна обладать достаточной несущей способностью.



Указание

Прибор предназначен для установки под раковиной. Патрубки для подключения воды на приборе должны быть направлены вверх.

Устанавливать прибор следует вертикально, в непосредственной близости от точки отбора.



D0000048988

9 МОНТАЖ

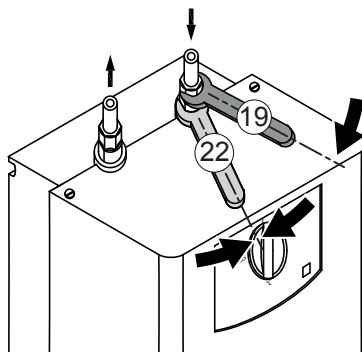
9.1 Монтаж прибора

- » Наметить места для сверления отверстий на стене (см. главу «Установка / Технические характеристики / Размеры и соединения»).
- » Просверлить отверстия и вставить подходящие дюбели.
- » Закрепить настенную монтажную планку с помощью подходящих шурупов.
- » Навесить прибор на настенную монтажную планку.

9.2 Подключение воды

- !** Материальный ущерб
Все работы по подключению к водопроводу и установке прибора необходимо производить в соответствии с инструкцией.
- !** Материальный ущерб
Прибор может утратить герметичность и работоспособность. При нарушении герметичности прибора вытекающая вода может причинять повреждения.

 - » Запрещается подвергать прибор давлению водопроводной сети.
 - » Убедиться в правильности подключения водопроводных труб к патрубкам.
 - » Задать расход (см. руководство по эксплуатации арматуры). Учитывать максимально допустимый расход при полностью открытой арматуре (см. главу «Установка / Технические характеристики / Таблица параметров»).
- !** Материальный ущерб
При затягивании резьбовых соединений их следует удерживать подходящим гаечным ключом от проворачивания.



D0000049045

Убедиться, что цвета патрубков для подключения воды на смесителе и приборе совпадают:

- синий цвет (справа) = подвод холодной воды;
 - красный цвет (слева) = выпуск горячей воды.
- » Прочно привинтить к патрубкам прибора подводку смесителя.



Указание

При монтаже не допускать перегибов шлангов для подключения воды. При установке не допускать растягивающих напряжений.

9.3 Электрическое подключение



ПРЕДУПРЕЖДЕНИЕ поражение электрическим током

Все работы по электрическому подключению и установке необходимо производить в соответствии с инструкцией.



ПРЕДУПРЕЖДЕНИЕ поражение электрическим током

При неразъемном подключении к сети через приборную розетку прибор должен отсоединяться от сети с разрывом контактов не менее 3 ММ на всех полюсах.



ПРЕДУПРЕЖДЕНИЕ поражение электрическим током

Проверить подключение прибора к защитному проводу.



Материальный ущерб

Напряжение в сети должно совпадать с указанным на заводской табличке.

» Следует соблюдать данные на заводской табличке.

Допустимы следующие варианты электрического подключения:

	Оras 5
Подключение к свободно доступной розетке с защитным контактом с помощью соответствующей вилки	X
Неразъемное подключение через приборную розетку с заземлением	X

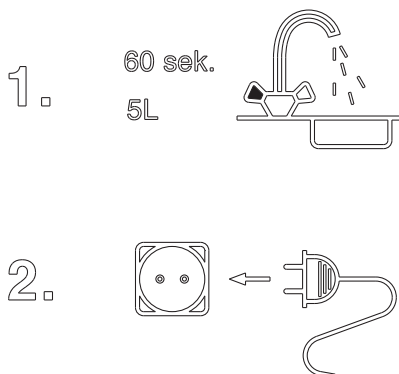
10 ВВОД В ЭКСПЛУАТАЦИЮ



ПРЕДУПРЕЖДЕНИЕ поражение электрическим током

Ввод прибора в эксплуатацию может осуществляться только специалистом при условии соблюдения правил техники безопасности.

10.1 Первый ввод в эксплуатацию



- » Открыть на смесителе кран горячей воды или установить однорычажный смеситель в положение «горячая вода» и подождать, пока не потечет вода без пузырьков воздуха.
- » Вставить штепсельную вилку в розетку с защитным контактом или включить автоматический выключатель домовой электросети.
- » Установить температуру.
- » Проверить герметичность всех элементов для подачи воды.

**Указание**

При несоблюдении последовательности (сначала подача воды, затем включение электропитания) срабатывает предохранительный ограничитель температуры.

В таком случае необходимо:

- » Ненадолго отключить прибор от электросети.
- » Заполнить прибор водой.
- » Подключить прибор к электросети.

10.1.1 Передача прибора

- » Объяснить пользователю функции прибора. Познакомить его с порядком пользования прибором.
- » Указать пользователю на возможные опасности, особенно на опасность обваривания.
- » Передать настоящее руководство и, если имеются, руководства к принадлежностям.

10.2 Повторный ввод в эксплуатацию

См. главу «Установка / Ввод в эксплуатацию / Первый ввод в эксплуатацию».

11 ВЫВОД ИЗ ЭКСПЛУАТАЦИИ

- » Обесточить прибор, вынув штепсельную вилку из розетки или выключив автоматический выключатель домовой электросети.
- » Слить воду из прибора (см. главу «Установка / Техобслуживание / Опорожнение прибора»).

12 УСТРАНЕНИЕ НЕИСПРАВНОСТЕЙ

Неисправность	Причина	Способ устранения
Прибор не нагревает воду.	Сработал предохранительный ограничитель температуры.	Устранить причину неисправности. При необходимости заменить терморегулятор. Подождать, пока прибор остынет. При обесточивании прибора автоматически выполняется сброс предохранительного ограничителя температуры.
Сильные шумы в приборе при нагреве воды.	В приборе имеется накипь.	Удалить накипь.

13 ТЕХНИЧЕСКОЕ ОБСЛУЖИВАНИЕ**ПРЕДУПРЕЖДЕНИЕ** поражение электрическим током

Перед любыми работами следует отключить все полюса прибора от электросети.

- » Для работ по техобслуживанию прибор следует демонтировать.

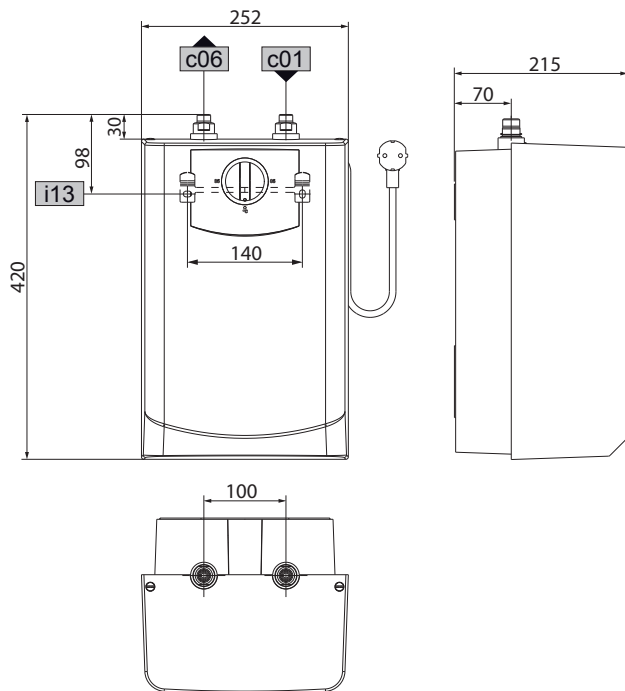
13.1 Опорожнение прибора**ПРЕДУПРЕЖДЕНИЕ** ожог

При опорожнении прибора из него может вытекать горячая вода.

- » Опорожнить прибор через патрубки для подключения.

14 ТЕХНИЧЕСКИЕ ХАРАКТЕРИСТИКИ

14.1 Размеры и подключения

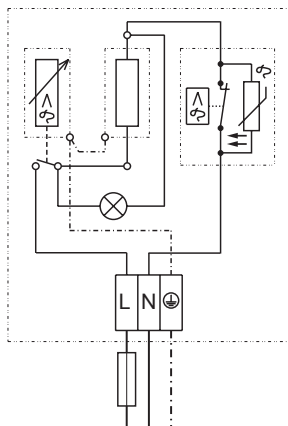


D0000041660

		Oras 5
c01	Подвод холодной воды	Наружная резьба G 3/8 A
c06	Выпуск. труба горячей воды	Наружная резьба G 3/8 A
i13	Настенная планка	

14.2 Электрическая схема

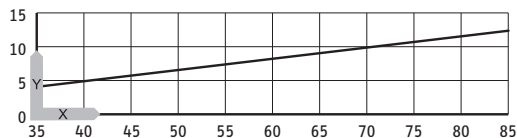
1-ф./N/PE ~ 230 В



85_02_06_0001

14.3 Диаграмма нагрева

Длительность нагрева зависит от количества накипи и остаточного тепла. Время нагрева холодной воды температурой 10 °С до максимальной температуры показано на графике.



x Температура в °С

y Время в мин.

D0000047175

14.4 Государственные допуски и свидетельства

Знаки технического контроля находятся на заводской табличке.

14.5 Экстремальные условия эксплуатации и возникновение неисправностей

В случае неисправности система может кратковременно нагреваться максимум до 100 °С.

14.6 Характеристики энергопотребления

Характеристики изделия отвечают регламентам ЕС, принятым согласно Директиве, устанавливающей требования к экологическому проектированию изделий, связанных с энергопотреблением (ErP).

		Oras 5
		234013
Производитель		Oras
Профиль нагрузки		XXS
Класс энергоэффективности		A
Энергетический КПД	%	38
Годовое потребление электроэнергии	кВт*ч	489
Заданная на заводе температура	°С	55
Уровень звуковой мощности	дБ(A)	15
Суточное потребление электроэнергии	кВт*ч	2,267

14.7 Таблица параметров

		Oras 5
		234013
Гидравлические характеристики		
Номинальная емкость	л	5
Количество смешанной воды при 40 °С	л	10
Электрические характеристики		
Номинальное напряжение	В	230
Номинальная мощность	кВт	2,0
Номинальный ток	А	8,7
Предохранитель	А	10
Фазы		1/N/PE
Частота	Гц	50/60
Пределы рабочего диапазона		
Диапазон регулировки температуры	°С	35-85
Макс. допустимое давление	МПа	0
Макс. расход	л/мин	5
Энергетические характеристики		
Класс энергоэффективности		A
Модификации		
Материал теплоизоляции		EPS
Степень защиты (IP) под раковиной		IP24 D X
Конструкция		открытый
Материал внутреннего резервуара		ПП
Материал корпуса		PS
Цвет		белый
Подключения		
Подключение воды		G 3/8 A
Размеры		
Глубина	мм	215
Высота	мм	420
Ширина	мм	252
Вес		
Вес	кг	3,4

ERIJUHISED**KASUTAMINE**

1	ÜLDISED JUHISED	134
1.1	Ohutusjuhised	134
1.2	Muud sümbolid käesolevas dokumentatsioonis	134
1.3	Mõõtühikud	134
2	OHUTUS	135
2.1	Sihipärane kasutamine	135
2.2	Üldised ohutusjuhised	135
2.3	Kontrollmärk	135
3	SEADME KIRJELDUS	136
3.1	Kasutamine	136
4	PUHASTAMINE, KORRASHOID JA HOOLDUS	136
5	PROBLEEMIDE KÕRVALDAMINE	137

PAIGALDAMINE

6	OHUTUS	138
6.1	Üldised ohutusjuhised	138
6.2	Eeskirjad, standardid ja ettekirjutused	138
7	SEADME KIRJELDUS	138
7.1	Tarnekomplekt	138
8	ETTEVALMISTUSED	138
8.1	Paigalduskoht	138
9	MONTAAŽ	139
9.1	Seadme paigaldamine	139
9.2	Ühendamine veetorustikuga	139
9.3	Elektriühendus	140
10	KASUTUSELEVÕTMINE	140
10.1	Esmakordne kasutuselevõtmine	140
10.2	Taaskasutuselevõtmine	141
11	KASUTUSELT KÕRVALDAMINE	141
12	RIKETE KÕRVALDAMINE	141
13	HOOLDUS	141
13.1	Seadme tühjendamine	141
14	TEHNILISED ANDMED	142
14.1	Mõõtmed ja liitmikud	142
14.2	Elektriskeem	143
14.3	Soojendusskeem	143
14.4	Load ja tunnistused teistes riikides	143
14.5	Äärmuslikud kasutus- ja rikketingimused	143
14.6	Energiaarabe andmed	143
14.7	Andmetabel	144

- Vähemalt 8-aastased lapsed ning vähenenud füüsiliste, tunnetuslike või vaimsete võimete või puudulike kogemuste ja teadmistega isikud võivad seadet kasutada järelevalve all või kui neid on seadme ohutu kasutamise osas instrueeritud ja nad on kasutamisega kaasnevatest ohtudest aru saanud. Lapsed ei tohi seadmega mängida. Puhastamist ega kasutaja teostatavat hooldust ei tohi lapsed ilma järelevalveta läbi viia.
- Kui seade ühendatakse vooluvõrku püsiühendusena seadme ühenduskarbi kaudu, peab kõiki kontakte saama vooluvõrgust vähemalt 3 mm kaugusele (kaitselahutusvahemik) lahti ühendada.
- Ühenduskaabli tohib kahjustuste või väljavahetamise korral originaalvaruosa vastu välja vahetada ainult tootja poolt volitatud tehnik.
- Ärge ühendage seadet taimerikella kaudu.
- Kinnitage seade nii, nagu on kirjeldatud peatükis „Paigaldamine / Montaaž”.
- Soojenemise ajal tilgub jooksutorust paisumisvett.
- Seadme võib paigaldada ainult koos avatud (survestamata) segistiga.
- Seadmele ei tohi avaldada veesurvet.
- Jooksutorul on õhutusfunktsioon. Katlakivi võib väljavoolu ummistada ja seadme survestada.
- Jooksutoru ei tohi kunagi sulgeda.
- Kasutage ainult spetsiaalseid survestamata soojaveesalvestite joaregulaatoreid.
- Jooksutoru pikendamiseks ei tohi kasutada voolikut.
- Tühjendage seade nii, nagu on kirjeldatud peatükis „Paigaldamine / Hooldus / Seadme tühjendamine”.

1 ÜLDISED JUHISED

Peatükid „Erijuhised” ja „Kasutamine” on mõeldud nii seadme kasutajale kui ka tehnikule.

Peatükk „Paigaldamine” on mõeldud tehnikule.



Juhis

Lugege käesolev juhend enne seadme kasutamist hoolikalt läbi ja hoidke alles. Vajadusel andke juhend järgmisele omanikule edasi.

1.1 Ohutusjuhised

1.1.1 Ohutusjuhiste ülesehitus



TUNNUSSÕNA Ohu liik

Siin on kirjeldatud ohutusjuhise eiramise võimalikke tagajärgi.

» Siin on toodud ohu vältimise meetmed.

1.1.2 Sümbolid, ohu liik

Sümbol	Ohu liik
	Vigastusoht
	Elektrilöögioht
	Põletusoht (Põletusoht, sh kuuma vedelikuga)

1.1.3 Tunnussõnad

TUNNUSSÕNA	Tähendus
OHT	Juhised, mille eiramise tagajärjeks on rasked vigastused või surm.
HOIATUS	Juhised, mille eiramine võib kaasa tuua raskeid vigastusi või surma.
ETTEVAATUST	Juhised, mille eiramine võib põhjustada keskmise raskusega või kergeid vigastusi.

1.2 Muud sümbolid käesolevas dokumentatsioonis



Juhis

Üldised juhised on tähistatud kõrvaloleva sümboliga.

» Lugege juhiste tekstid hoolikalt läbi.

Sümbol	
	Varaline kahju (seadme- ja keskkonnakahjustused, kaudsed kahjud)
	Seadme jäätmekäitlus

» See sümbol näitab, et te peate midagi tegema. Nõutavaid toiminguid kirjeldatakse samm-sammult.

1.3 Mõõtühikud



Juhis

Kõik mõõtmed on millimeetrites, kui ei ole märgitud teisiti.

2 OHUTUS

2.1 Sihipärane kasutamine

Avatud (survestamata) seade on mõeldud puhta kraanivee soojendamiseks. Seadmel on üks väljavoolukoht.

Seade on mõeldud kasutamiseks koduses majapidamises. See on ohutult kasutatav ka instrueerimata isikute poolt. Seadet võib kasutada ka kodusest majapidamisest väljaspool, nt väikeettevõttes, tingimusel et kasutamine toimub samal viisil.

Teistsugust või eespool nimetatust erinevat kasutamist loetakse mittesihipäraseks. Sihipärase kasutamise juurde kuulub ka käesoleva juhendi ja kasutatavate tarvikute juhendite järgimine. Seadme muutmine või ümberehitamine muudab mistahes garantii kehtetuks.

2.2 Üldised ohutusjuhised



HOIATUS põletusohu

Segisti temperatuur võib kaituse ajal tõusta üle 60 °C.

Kui väljavoolutemperatuur on kõrgem kui 43 °C, tekib põletusohu.



HOIATUS vigastusohu

Temperatuuriseadistusnupu võib eemaldada ainult tehnik.



HOIATUS vigastusohu

Vähemalt 8-aastased lapsed ning vähenenud füüsiliste, tunnetuslike või vaimsete võimete või puudulike kogemuste ja teadmistega isikud võivad seadet kasutada järelevalve all või kui neid on seadme ohutu kasutamise osas instrueeritud ja nad on kasutamisega kaasnevatest ohtudest aru saanud. Lapsed ei tohi seadmega mängida. Puhastamist ega kasutaja teostatavat hooldust ei tohi lapsed ilma järelevalveta läbi viia.



Varaline kahju

Kasutaja peab seadet, veetorustikku ja segistit külmumise eest kaitsma.



Varaline kahju

Seadmele ei tohi avaldada veesurvet. Jooksutorul on õhutusfunktsioon. Katlakivi võib väljavoolu ummistada ja seadme survestada.

» Seadet tohib kasutada ainult koos avatud (survestamata) segistiga.

» Jooksutoru ei tohi kunagi sulgeda.

» Kasutage ainult spetsiaalseid survestamata soojaveesalvestite joaregulaatoreid.

» Jooksutoru pikendamiseks ei tohi kasutada voolikut.



Varaline kahju

Seadme ühendamisel taimerella kaudu nullitakse tahtmatult ohutus-temperatuuripiirik.

» Ärge ühendage seadet taimerella kaudu vooluvõrku.

2.3 Kontrollmärk

Vaata seadmel olevat andmesilti.

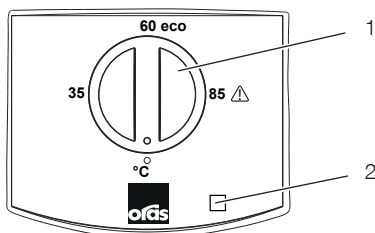
3 SEADME KIRJELDUS

Avatud (survestamata) seade hoiab vett seadmes eelseadistatud temperatuuril. Seade lülitub kohe automaatselt sisse, kui temperatuur langeb seadmes alla määratud väärtust. Soojenemise ajal tilgub väljavoolusegistist paisumisvett. Seadme võib paigaldada ainult koos avatud (survestamata) soojaveesalvestile mõeldud segistiga.

Maksimaalsed sooja ja külma vee segu kogused ning väljavoolukogused varieeruvad sõltuvalt külma vee temperatuuri erinevusest erinevatel aastaaegadel.

3.1 Kasutamine

Soovitud sooja vee väljavoolutemperatuuri saab temperatuuriseadistusnupust sujuvalt seadistada. Soojendamise ajal põleb soojendusindikaator.



1 Temperatuuri seadenupp

2 Soojendusindikaator

Süsteemist tulenevalt võib temperatuur seadeväärtusest erineda.

°C külm. Selle seadistuse kasutamisel on seade külmumise eest kaitstud. Segisti ja veetorustik ei ole kaitstud.

eco soovituslik energiasäästuseadistus (u. 60 °C), vähene katlakivi teke

85 maksimaalne seadistatav temperatuur

4 PUHASTAMINE, KORRASHOID JA HOOLDUS

» Ärge kasutage abrasiivseid või lahustipõhiseid puhastusvahendeid. Seadme korrashoiuks ja puhastamiseks piisab niiskest lapist.

» Kontrollige segistit regulaarselt. Jooksutorult saate katlakivi eemaldada tavaliste katlakivieemaldusvahenditega.

Kõrgel temperatuuril eraldub veest peaaegu alati katlakivi. See sadestub seadmesse ja mõjutab seadme talitlust ja kasutusiga. Küttekehadel tuleb seetõttu vajadusel katlakivi eemaldada. Katlakivi eemaldamise aja teatab teile kohalikku veekvaliteeti tundev tehnik.

5 PROBLEEMIDE KÕRVALDAMINE

Probleem	Põhjus	Kõrvaldamine
Seade ei soojenda vett.	Temperatuuriseadistusnupp on asendis „C”.	Lülitage seade temperatuuriseadistusnupu keerates sisse.
	Seadmel puudub toitepinge.	Kontrollige pistikut ja hoone elektrisüsteemi kaitsmeid.
Vee väljalaskekogus on tavalisest väiksem.	Prügipüüdurid ja/või vee vooluhulga piiraja on ummistunud.	Puhastage prügipüüdurid ja vee vooluhulga piiraja.
Seadmest kostab valju vee keemise müra.	Seadmes on katlakivi.	Laske tehnikul katlakivi eemaldada.

Kui te ei suuda põhjust kõrvaldada, siis kutsuge tehnik. Paremaks ja kiiremaks teenindamiseks teatage talle andmesildil olev number:

Type: ORAS 5



O-No. 601680

S-No. 234013

F-No. 0000 - 000000

D0000041686

6 OHUTUS

Seadet võib installeerida, kasutusele võtta ning hooldada ja remontida ainult vastava väljaõppega tehnik.

6.1 Üldised ohutusjuhised

Me tagame seadme laitmatu talitluse ja töökindluse üksnes juhul, kui kasutatakse seadme jaoks mõeldud originaal-lisavarustust ja -varuosi.

6.2 Eeskirjad, standardid ja ettekirjutused



Juhis

Järgige kõiki riiklikke ja kohalikke eeskirju ja ettekirjutusi.

7 SEADME KIRJELDUS

Avatud (survestamata) seadme tohib paigaldada ainult laua alla. Seade on mõeldud ühe väljavoolukoha külma vee soojendamiseks. Seadme võib paigaldada ainult koos avatud (survestamata) segistiga.

7.1 Tarnekomplekt

Koos seadmega tarnitakse:

- seinakinnitus

8 ETTEVALMISTUSED

» Loputage veetorustik korralikult läbi.

Veetorustikuga ühendamine

Kaitseklapp ei ole nõutav.

Segistid

Suletud segistid ei ole lubatud.

» Paigaldage sobiv avatud segisti.

8.1 Paigalduskoht



Varaline kahju

Seadet tohib paigaldada ainult külmumisohuta ruumi.

» Hoidke demonteeritud seadet külmumisohuta ruumis, sest seadmes on jääkvett, mis võib külmuda ja kahjustusi tekitada.



Varaline kahju

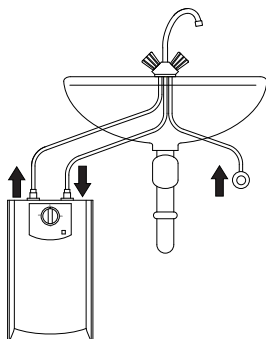
Paigaldage seade seinale. Sein peab olema piisava kandevõimega.



Juhis

Seadme tohib paigaldada ainult laua alla. Seadme veeühendusliitmikud on suunatud üles.

Paigaldage seade tarbimiskoha lähedusse vertikaalselt.



D0000048988

9 MONTAAŽ

9.1 Seadme paigaldamine

- » Märkige puuritavate aukude mõõtmed seinale (vt peatükki „Paigaldamine / Tehnilised andmed / Mõõtmed ja ühendused”).
- » Puurige augud ja sisestage nendesse sobivad tüüblid.
- » Kinnitage seinakinnitus sobivate kruvidega.
- » Monteerige seade seinakinnitusele.

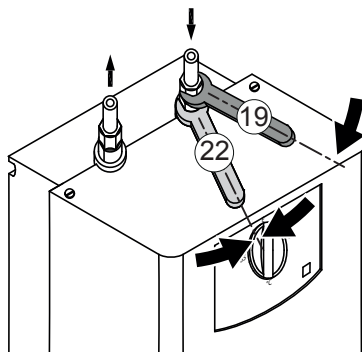
9.2 Ühendamine veetorustikuga

! Varaline kahju
Teostage kõik veetorustiku ühendus- ja installatsioonitööd vastavalt eeskirjadele.

! Varaline kahju
Seade võib hakata lekkima või lakata töötamast. Lekkiv seade võib põhjustada veekahjustusi.

- » Seadmele ei tohi avaldada veesurvet.
- » Ärge vahetage omavahel ära veeühendusliitmikke.
- » Seadistage vooluhulk (vt segisti kasutusjuhendit). Järgige maksimaalset lubatud läbivooluhulka täielikult avatud segisti puhul (vt peatükki „Paigaldamine / Tehnilised andmed / Andmetabel”).

! Varaline kahju
Liitmike pingutamisel tuleb vastusmutter sobiva mutrivõtmega fikseerida.



D0000049045

Ühendada sama värvikoodiga segisti ja seadme liitmikud:

- Paremal sinine = „külma vee väljavool”
- Vasakul punane = „sooja vee väljavool”
- » Kruvige segisti veeliitmikud tugevalt seadme külge.



Juhis

Veenduge, et veeliitmikud ei oleks paigaldamise ajal keerdus. Vältige paigaldamisel tõmbepinget.

9.3 Elektriühendus



HOIATUS elektrilöögioht

Teostage kõik elektrilised ühendus- ja installatsioonitööd vastavalt eeskirjadele.



HOIATUS elektrilöögioht

Kui seade ühendatakse vooluvõrku püsiühendusena seadme ühenduskarbi kaudu, peab kõiki kontakte saama vooluvõrgust vähemalt 3 mm kaugusele (kaitselahutusvahemik) lahti ühendada.



HOIATUS elektrilöögioht

Jälgige, et seade oleks ühendatud kaitsemaandusjuhtmega.



Varaline kahju

Andmesildil esitatud pinge peab vastama võrgupingele.

» Järgige andmesilti.

Lubatud on järgmised elektriühendused:

	Oras 5
Vabalt ligipääsetava maandatud pistikupesaga ja sobiva pistikuga ühendus	X
Kaitsemaandusjuhtmega püsiühendus seadme ühenduskarbi kaudu	X

10 KASUTUSELEVÕTMINE



HOIATUS elektrilöögioht

Seadme kasutuselevõtt peab toimuma ohutuseeskirjade kohaselt ja tehniku poolt.

10.1 Esmakordne kasutuselevõtmine

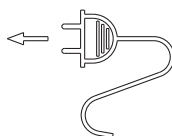
1.

60 sek.

5L



2.



- » Avage kas segisti soojaveeventil või lükake kangsegisti asendisse „soe”, kuni vesi hakkab mullivalt voolama.
- » Sisestage pistik maandatud pistikupessa või lülitage sisse hoone elektrisüsteemi kaitse.
- » Valige temperatuur.
- » Veenduge, et kogu veepaigaldis on lekkevaba.

**Juhis**

Kui seda järjestust (kõigepealt vesi, siis elekter) ei järgita, rakendub ohutus-temperatuuripiirik.

Toimige järgnevalt:

- » Eemaldage seade vooluvõrgust.
- » Täitke seade veega.
- » Ühendage seade vooluvõrku.

10.1.1 Seadme üleandmine

- » Selgitage kasutajale seadme tööpõhimõtet. Tutvustage talle selle kasutamist.
- » Hoiatage kasutajat võimalike ohtude, eelkõige põletusohu eest.
- » Andke talle see kasutusjuhend ja olemasolu korral tarvikute kasutusjuhendid.

10.2 Taaskasutuselevõtmine

Vt peatükki „Paigaldamine / Kasutuselevõtt / Esmakäivitamine”.

11 KASUTUSELT KÕRVALDAMINE

- » Eemaldage seade vooluvõrgust tõmmates selle kas pistikupesast välja või lülitades välja hoone elektrisüsteemi kaitsme.
- » Tühjendage seade (vt peatükki „Paigaldamine / Hooldus / Seadme tühjendamine”).

12 RIKETE KÕRVALDAMINE

Rike	Põhjus	Kõrvaldamine
Seade ei soojenda vett.	Ohutus-temperatuuripiirik on rakendunud.	Kõrvaldage rikke põhjus. Vajadusel vahetage välja temperatuuriregulaator. Laske seadmel maha jahtuda. Seadme välja lülitamisel nullitakse ohutus-temperatuuripiirik automaatselt.
Seadmest kostab valju vee keemise müra.	Seadmest on katlakivi.	Eemaldage seadmest katlakivi.

13 HOOLDUS**HOIATUS elektrilöögioht**

Igasuguste tööde teostamisel eemaldage kõik seadme pistiku kontaktid vooluvõrgust.

- » Demonteerige seade hooldustöödeks.

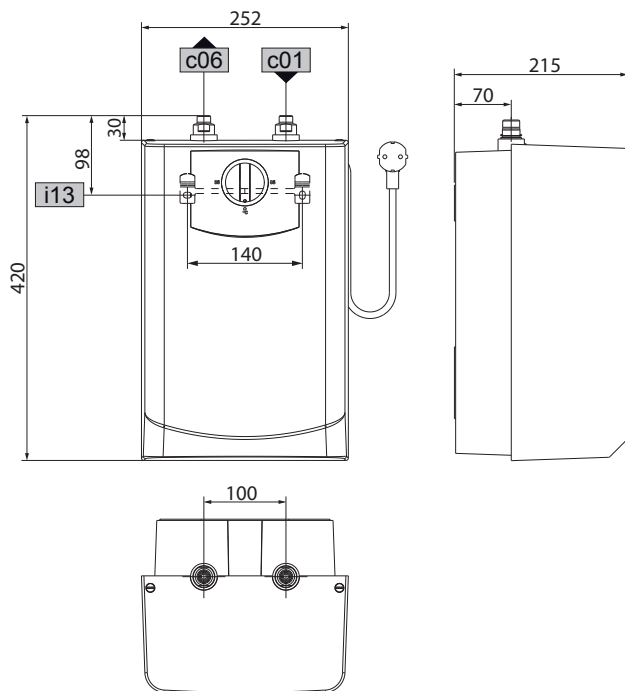
13.1 Seadme tühjendamine**HOIATUS põletusohu**

Tühjendamisel võib seadmest eralduda kuuma vett.

- » Tühjendage seade toruliitmiku kaudu.

14 TEHNILISED ANDMED

14.1 Mõõtmed ja liitmikud

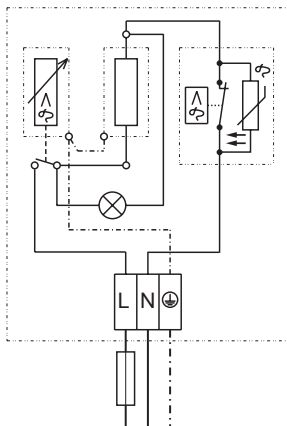


		Oras 5
c01	Külmavee pealevool	Väliskeere G 3/8 A
c06	Kuumavee väljavool	Väliskeere G 3/8 A
i13	seinakinnitus	

D0000041660

14.2 Elektriskeem

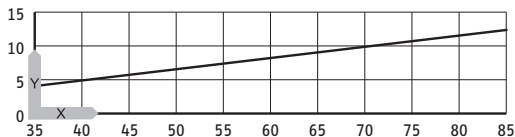
1 / N (neutraal) / PE (kaitsemaandus) ~ 230 V



85_02_06_0001

14.3 Soojenduskeem

Soojenemisaeg sõltub katlakivi hulgast ja jääsoojusest. Soojenemisaja 10 °C külma vee juurdevoolu ja maksimaalse temperatuuriseadistuse juures leiata temperatuuridiagrammilt.



x Temperatuur °C
y Aeg minutites

D0000047175

14.4 Load ja tunnistused teistes riikides

Kontrollmärgised on esitatud andmesildil.

14.5 Äärmuslikud kasutus- ja rikketingimused

Rikke korral võib paigaldise temperatuur ulatuda lühiajaliselt kuni 100 °C kraadini.

14.6 Energiatarbe andmed

Tooteandmed vastavad energiamõjuga toodete ökodisaini nõudeid käsitleva ELi direktiivi rakendusmäärustele (ErP).

		Oras 5
		234013
Tootja		Oras
Koormusgraafik		XXS
Energiaohutuse klass		A
Energeetiline kasutegur	%	38
Aastane elektrienergia tarbimine	kWh	489
Tehase temperatuuriseadistus	°C	55
Helivõimsuse tase	dB(A)	15
Ööpäevane elektrienergia tarbimine	kWh	2,267

14.7 Andmetabel

		Oras 5
		234013
Hüdraulikaandmed		
Nimimaht	l	5
Seguvee kogus 40 °C	l	10
Elektriandmed		
Nimipinge	V	230
Nimivõimsus	kW	2,0
Nimivool	A	8,7
Kaitse	A	10
Faasid		1/N/PE
Sagedus	Hz	50/60
Käituspiirid		
Temperatuuri seadevahemik	°C	35-85
Maks lubatud rõhk	MPa	0
Maks läbivooluhulk	l/min	5
Energiaandmed		
Energiaatõhususe klass		A
Mudelid		
Soojusisolatsiooni materjal		EPS
Kaitseklass (IP)		IP24 D
Paigaldusviis lauaalune		X
Tüüp		avatud
Siseanuma materjal		PP
Korpuse materjal		PS
Värvus		valge
Ühendused		
Ühendamine veetorstikuga		G 3/8 A
Mõõtmed		
Sügavus	mm	215
Kõrgus	mm	420
Laius	mm	252
Kaalud		
Mass	kg	3,4

Oras Group is a powerful European provider of sanitary fittings: the market leader in the Nordics and a leading company in Continental Europe. The company's mission is to make the use of water easy and sustainable and its vision is to become the European leader of advanced sanitary fittings. Oras Group has two strong brands: Oras and Hansa.

The Group's head office is located in Rauma, Finland, and the Group has three manufacturing sites: Kralovice (Czech Republic), Olesno (Poland) and Rauma (Finland). Oras Group employs approximately 1,200 people in twenty countries. Oras Group is owned by Oras Invest, a family company and an industrial owner.

A 313989-39246-91XX
B 313990-39246-91XX

943335-02-16

ORAS Ltd
Isometsäntie 2, P.O. Box 40
FI-26101 Rauma
Tel. +358 2 83 161
Fax +358 2 831 6300
info.finland@oras.com
www.oras.com

