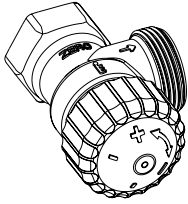
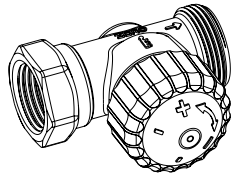


Eclipse S, Eclipse ZERO



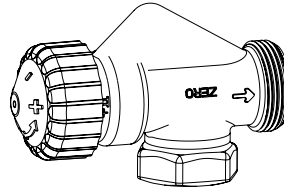
Eclipse
DN 10 50 842-010
DN 15 50 842-015
DN 20 50 842-020

Eclipse ZERO
DN 10 50 842-410
DN 15 50 842-415
DN 20 50 842-420



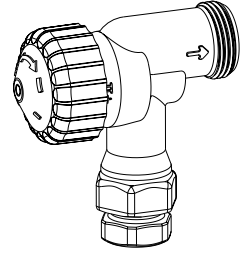
Eclipse
DN 10 50 840-010
DN 15 50 840-015
DN 20 50 840-020

Eclipse ZERO
DN 10 50 840-410
DN 15 50 840-415
DN 20 50 840-420

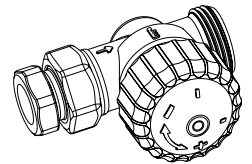


Eclipse
DN 10 50 844-010
DN 15 50 844-015

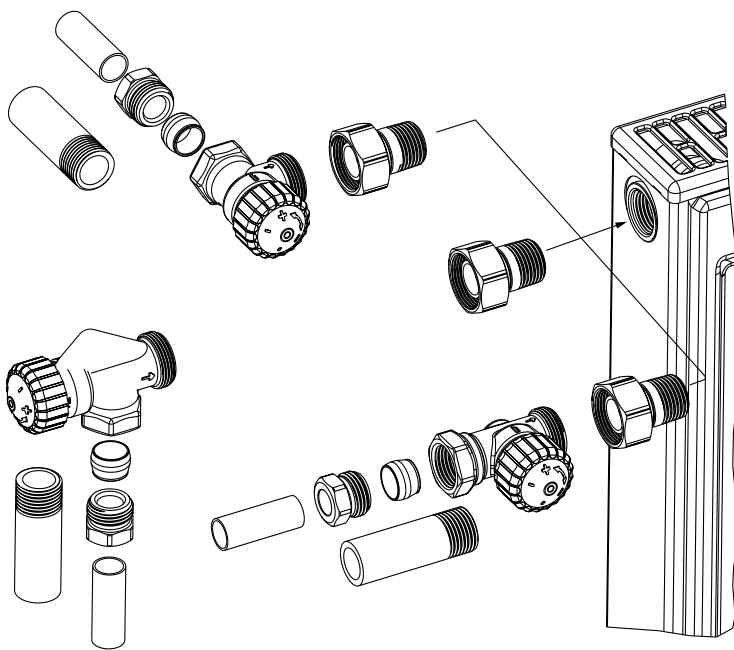
Eclipse ZERO
DN 10 50 844-410
DN 15 50 844-415



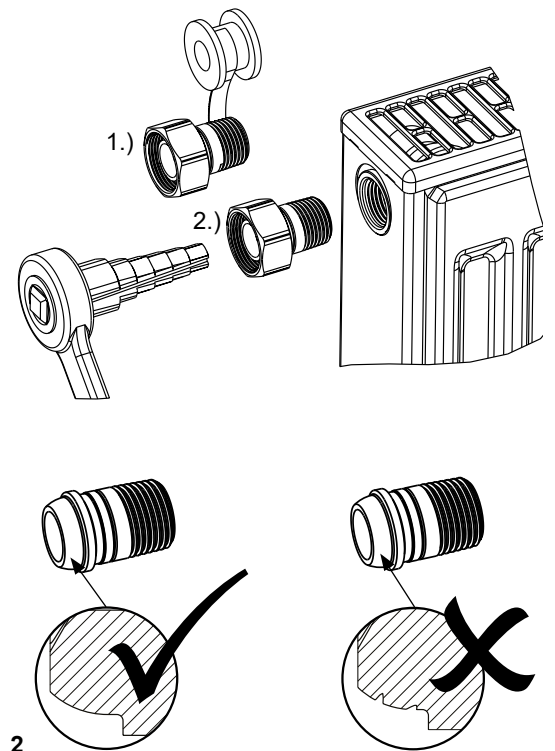
Eclipse
DN 10 50 844-012



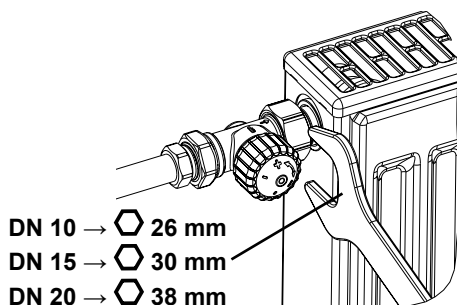
Eclipse
DN 10 50 840-012






1

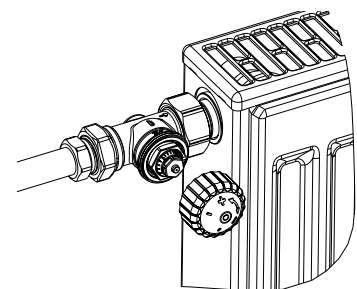


2

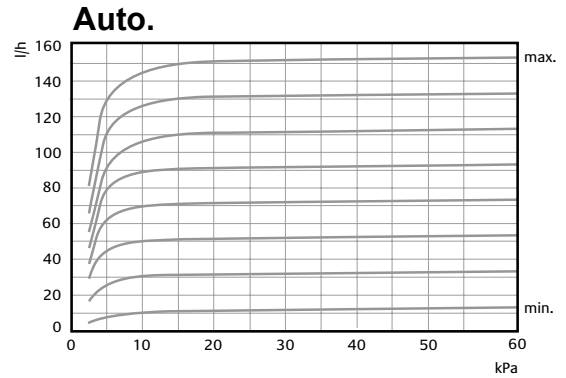
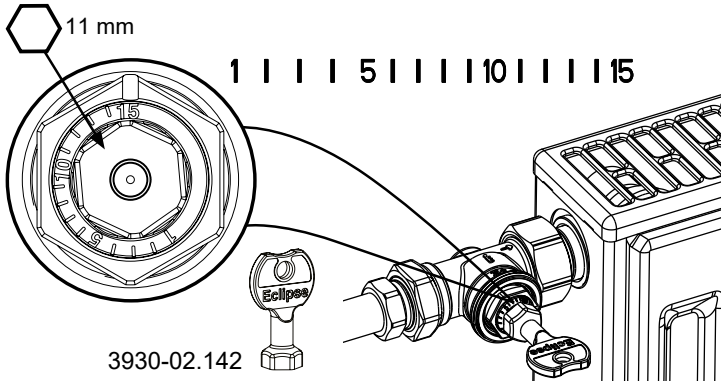
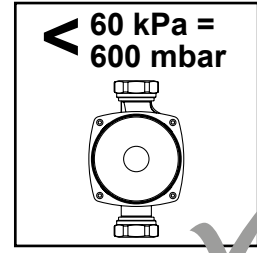
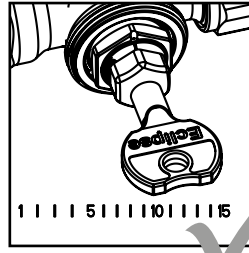
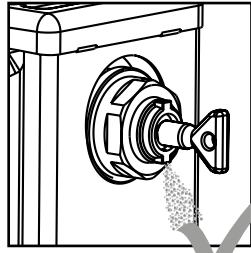


DN 10 →  26 mm
DN 15 →  30 mm
DN 20 →  38 mm

3

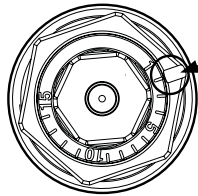


4



3930-02.142

	1	1	1	1	5	1	1	1	1	10	1	1	1	1	15
l/h	10	20	30	40	50	60	70	80	90	100	110	120	130	140	150



Q [W]	200	250	300	400	500	600	700	800	900	1000	1200	1400	1600	1800	2000	2200	2400	2600	2800	3000	3200	3400	3600	3800	4000	4800	5300	6500	6800			
Δt [K]																																
10	2	2	3	3	4	5	6	7	8	9	10	12	14	15																		
15	1	1	2	2	3	3	4	5	5	6	7	8	9	10	12	13	14	15														
20	1	1	1	2	2	3	3	3	4	4	5	6	7	8	9	10	10	11	12	13	14	15										
30	1	1	1	1	1	2	2	2	3	3	3	4	5	5	6	6	7	8	8	9	9	10	10	11	12	14	15					
40	1	1	1	1	1	2	2	2	2	3	3	3	4	4	5	5	6	6	7	7	7	8	8	8	9	10	11	14	15			

Below settings avoid underflows due to tolerances

Δp min. 10 - 100 l/h = 10 kPa
 Δp min. 100 - 150 l/h = 15 kPa

q_{design} [l/h]	ΔpV		
	10 kPa	15 kPa	20 kPa
	Setting		
10	1	1	1
20	3	3	2
30	4	4	3
40	6	5	4
50	7	6	5
60	9	7	6
70	10	8	7
80	12	9	8
90	13	11	9
100	14	12	10
110	15	13	11
120		14	12
130		15	13
140			14
150			15

We reserve the right to introduce technical alterations without previous notice.