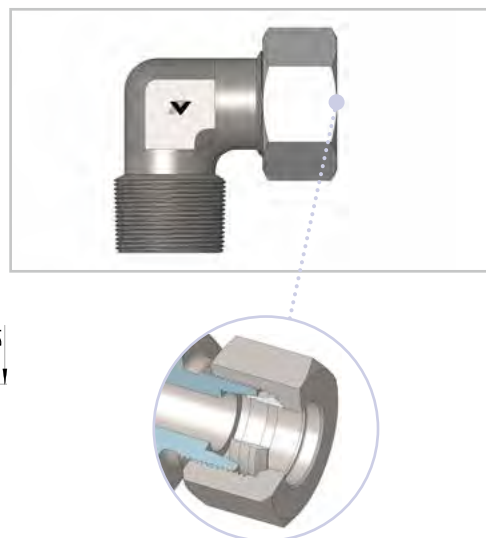
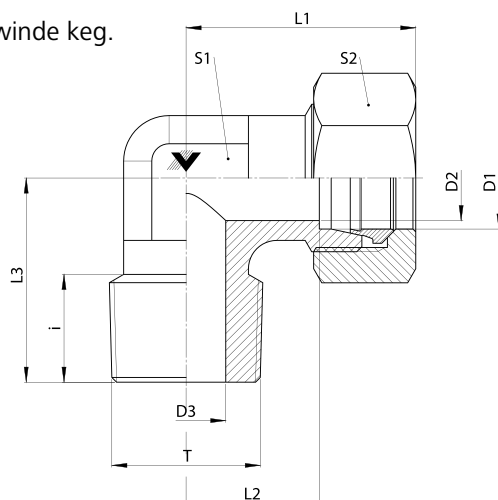


WEV - R - keg.

- Winkel-Einschraubverschraubung
- L- und S-Reihe
- Gewinde: Whitworth-Rohrgewinde keg.

- Male Stud Elbow
- L and S Series
- Thread: BSPT



WEV - R - keg.

Baureihe Series	D1 mm	T	D2 mm	D3 mm	L1* mm	L2 mm	L3 mm	i mm	S1 mm	S2 mm	Gewicht Weight g	PN bar	Bezeichnung Name	Artikel-Nr. Article No.
LL	4	R 1/8" keg.	3	4	21	11	17	8	9	10	21	100	WEV 04 LLR 1/8" keg.	105541
	6	R 1/8" keg.	4,5	4,5	21	9,5	17	8	9	12	24	100	WEV 06 LLR 1/8" keg.	105550
	8	R 1/8" keg.	6	6	23	11,5	20	8	12	14	32	100	WEV 08 LLR 1/8" keg.	105576
	10	R 1/4" keg.	8	7	27	15,5	26	12	14	14	48	100	WEV 10 LLR 1/4" keg.	105598
	12	R 1/4" keg.	10	7	27	16	23	9	14	17	61	100	WEV 12 LLR 1/4" keg.	123920
L	6	R 1/8" keg.	4	4	27	12	20	10	12	14	42	315	WEV 06 LR 1/8" keg.	105558
	6	R 1/4" keg.	4	6	29	14	26	12	12	14	59	315	WEV 06 LR 1/4" keg.	105556
	8	R 1/8" keg.	6	4	29	14	24	10	12	17	66	315	WEV 08 LR 1/8" keg.	105581
	8	R 1/4" keg.	6	6	29	14	26	12	12	17	63	315	WEV 08 LR 1/4" keg.	105583
	8	R 3/8" keg.	6	6	30	15	28	12	14	17	111	315	WEV 08 LR 3/8" keg.	105582
	10	R 1/4" keg.	8	7	30	15	27	12	14	19	82	315	WEV 10 LR 1/4" keg.	105605
	10	R 3/8" keg.	8	8	30	15	28	12	14	19	108	315	WEV 10 LR 3/8" keg.	105604
	12	R 1/4" keg.	10	7	32	17	28	12	17	22	109	315	WEV 12 LR 1/4" keg.	105622
	12	R 3/8" keg.	10	9	32	17	28	12	17	22	117	315	WEV 12 LR 3/8" keg.	105624
	12	R 1/2" keg.	10	10	36	21	34	14	19	22	118	315	WEV 12 LR 1/2" keg.	105621
S	15	R 1/2" keg.	12	12	36	21	34	14	19	27	141	315	WEV 15 LR 1/2" keg.	105651
	18	R 1/2" keg.	15	14	40	23,5	36	14	24	32	309	315	WEV 18 LR 1/2" keg.	105669
	6	R 1/4" keg.	4	4	31	16	26	12	12	17	75	400	WEV 06 SR 1/4" keg.	105568
	6	R 3/8" keg.	4	4	32	17	27	12	14	17	80	400	WEV 06 SR 3/8" keg.	105567
	8	R 1/4" keg.	5	5	32	17	27	12	14	19	96	400	WEV 08 SR 1/4" keg.	105592
	8	R 3/8" keg.	5	5	32	17	28	12	14	19	86	400	WEV 08 SR 3/8" keg.	105591
	10	R 1/4" keg.	7	5	34	17,5	28	12	17	22	93	400	WEV 10 SR 1/4" keg.	105611
	10	R 3/8" keg.	7	7	34	17,5	28	12	17	22	138	400	WEV 10 SR 3/8" keg.	105613
	10	R 1/2" keg.	7	7	37	20,5	32	14	19	22	132	400	WEV 10 SR 1/2" keg.	105610
	12	R 3/8" keg.	8	8	38	21,5	28	12	17	24	164	400	WEV 12 SR 3/8" keg.	105633
12	R 1/2" keg.	8	8	38	21,5	32	14	19	24	135	400	WEV 12 SR 1/2" keg.	105631	
14	R 1/2" keg.	10	10	40	22	32	14	19	27	158	400	WEV 14 SR 1/2" keg.	105640	
16	R 1/2" keg.	12	12	43	24,5	32	16	24	30	222	400	WEV 16 SR 1/2" keg.	105658	

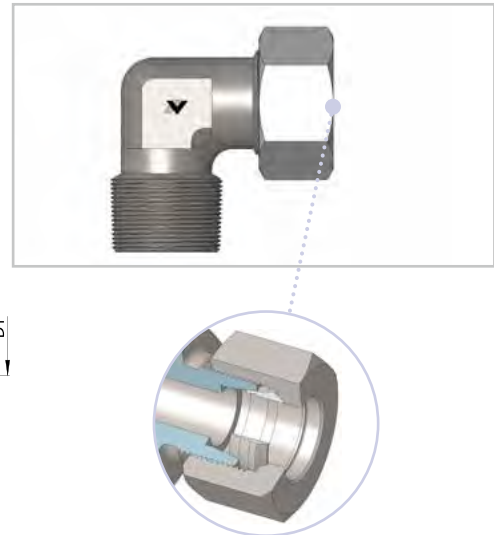
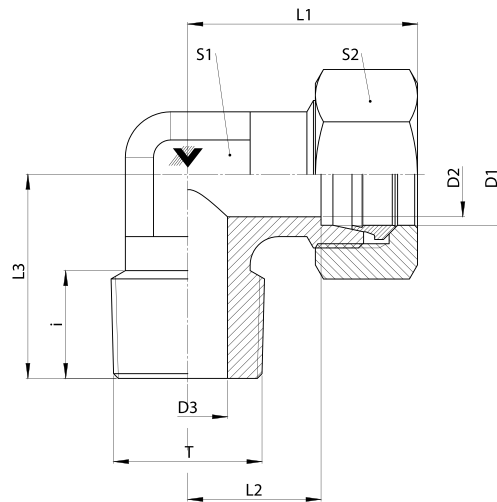
*Gerundete Werte / approx. Dimensions

- 45° auf Anfrage
- 45° on request

WEV - M - keg.

- Winkel-Einschraubverschraubung
- L- und S-Reihe
- Gewinde: Metrisch-keg.

- Male Stud Elbow
- L and S Series
- Thread: Metric tapered



WEV - M - keg.

Baureihe Series	D1 mm	T	D2 mm	D3 mm	L1* mm	L2 mm	L3 mm	i mm	S1 mm	S2 mm	Gewicht Weight g	PN bar	Bezeichnung Name	Artikel-Nr. Article No.
LL	4	M 8 x 1 keg.	3	3	21	11	17	10	9	10	18	100	WEV 04 LLM 8 x 1 keg.	105540
	6	M 10 x 1 keg.	4,5	4,5	21	9,5	17	8	9	12	24	100	WEV 06 LLM 10 x 1 keg.	105549
	8	M 10 x 1 keg.	6	6	23	11,5	20	10	12	14	33	100	WEV 08 LLM 10 x 1 keg.	105575
L	6	M 10 x 1 keg.	4	4	27	12	20	10	12	14	41	315	WEV 06 LM 10 x 1 keg.	105554
	8	M 12 x 1,5 keg.	6	6	29	14	26	12	12	17	63	315	WEV 08 LM 12 x 1,5 keg.	105579
	10	M 14 x 1,5 keg.	8	7	30	15	27	12	14	19	83	315	WEV 10 LM 14 x 1,5 keg.	105601
	12	M 16 x 1,5 keg.	10	9	32	17	28	12	17	22	118	315	WEV 12 LM 16 x 1,5 keg.	105620
	15	M 18 x 1,5 keg.	12	11	36	21	32	12	19	27	125	315	WEV 15 LM 18 x 1,5 keg.	105647
	18	M 22 x 1,5 keg.	15	14	40	23	36	14	24	32	216	315	WEV 18 LM 22 x 1,5 keg.	105665
S	6	M 12 x 1,5 keg.	4	4	31	16	26	12	12	17	72	400	WEV 06 SM 12 x 1,5 keg.	105564
	8	M 14 x 1,5 keg.	5	5	32	17	27	12	14	19	101	400	WEV 08 SM 14 x 1,5 keg.	105588
	10	M 16 x 1,5 keg.	7	7	34	17,5	28	15	17	22	136	400	WEV 10 SM 16 x 1,5 keg.	105609
	12	M 18 x 1,5 keg.	8	8	38	21,5	28	12	17	24	172	400	WEV 12 SM 18 x 1,5 keg.	105630
	14	M 20 x 1,5 keg.	10	10	40	22	32	14	19	27	156	400	WEV 14 SM 20 x 1,5 keg.	105637
16	M 22 x 1,5 keg.	12	12	43	24,5	32	16	24	30	233	400	WEV 16 SM 22 x 1,5 keg.	105655	

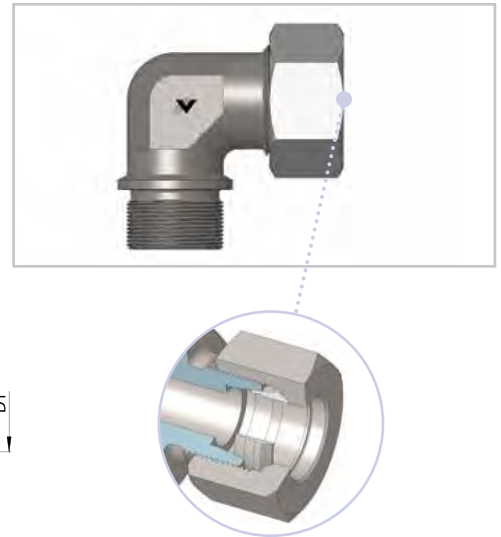
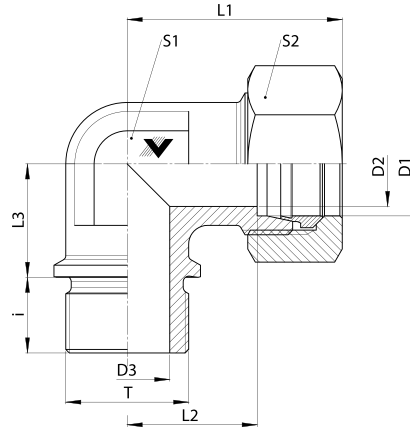
*Gerundete Werte / approx. Dimensions

- 45° auf Anfrage
- 45° on request

WEV - R - zyl.

- Winkel-Einschraubverschraubung
- L- und S-Reihe
- Gewinde: Whitworth-Rohrgewinde zyl.
- Abdichtung durch metallische Dichtkante Form B

- Male Stud Elbow
- L and S Series
- Thread: BSPP
- Metallic sealing edge Form B



WEV - R - zyl.

Baureihe Series	D1 mm	T	D2 mm	D3 mm	L1* mm	L2 mm	L3 mm	i mm	S1 mm	S2 mm	PN bar	Gewicht Weight g	Bezeichnung Name	Artikel-Nr. Article No.
L	22	G 3/4"	19	18	44	37,5	16	16	27	36	160	168	WEV 22 LR 3/4"	105685
	28	G 1"	24	23	47	30,5	18	18	36	41	160	305	WEV 28 LR 1"	105705
	35	G 1 1/4"	30	30	56	34,5	20	20	41	50	160	465	WEV 35 LR 1 1/4"	105723
	42	G 1 1/2"	36	36	63	40	22	22	50	60	160	706	WEV 42 LR 1 1/2"	105739
S	20	G 3/4"	16	16	48	26,5	16	16	27	36	400	210	WEV 20 SR 3/4"	105675
	35	G 1"	20	20	54	30	18	18	36	46	250	388	WEV 25 SR 1"	105696
	30	G 1 1/4"	25	25	62	35,5	20	20	41	50	160	630	WEV 30 SR 1 1/4"	105715
	38	G 1 1/2"	32	32	72	41	22	22	50	60	160	888	WEV 38 SR 1 1/2"	105731

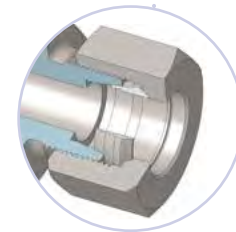
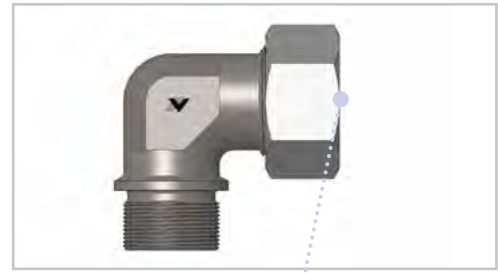
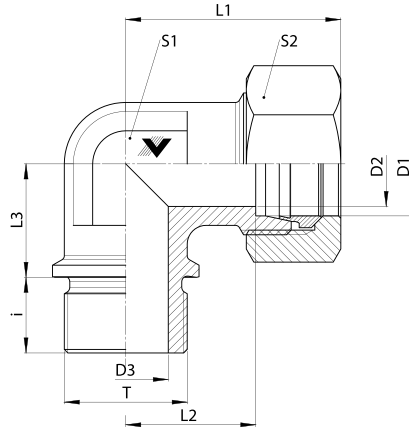
*Gerundete Werte / approx. Dimensions

- 45° auf Anfrage
- 45° on request

WEV - M - zyl.

- Winkel-Einschraubverschraubung
- L- und S-Reihe
- Gewinde: Metrisch-zyl.
- Abdichtung durch metallische Dichtkante Form B

- Male Stud Elbow
- L and S Series
- Thread: BSPT
- Metallic sealing edge Form B



WEV - M - zyl.

Baureihe Series	D1 mm	T	D2 mm	D3 mm	L1* mm	L2 mm	L3 mm	i mm	S1 mm	S2 mm	Gewicht Weight g	PN bar	Bezeichnung Name	Artikel-Nr. Article No.
L	22	M 26 x 1,5 zyl.	19	18	44	27,5	42	16	27	36	262	160	WEV 22 LM 26 x 1,5 zyl.	105683
	28	M 33 x 2 zyl.	24	23	47	30,5	48	18	36	41	401	160	WEV 28 LM 33 x 2 zyl.	105703
	35	M 42 x 2 zyl.	30	30	56	34,5	54	20	41	50	626	160	WEV 35 LM 42 x 2 zyl.	105721
	42	M 48 x 2 zyl.	36	36	63	40	61	22	50	60	900	160	WEV 42 LM 48 x 2 zyl.	105737
S	20	M 27 x 2 zyl.	16	16	48	26,5	42	16	27	36	321	400	WEV 20 SM 27 x 2 zyl.	105673
	25	M 33 x 2 zyl.	20	20	54	30	48	18	36	46	611	250	WEV 25 SM 33 x 2 zyl.	105694
	30	M 42 x 2 zyl.	25	25	62	35,5	54	20	41	50	870	160	WEV 30 SM 42 x 2 zyl.	105713
	38	M 48 x 2 zyl.	32	32	72	41	61	22	50	60	1269	160	WEV 38 SM 48 x 2 zyl.	105729

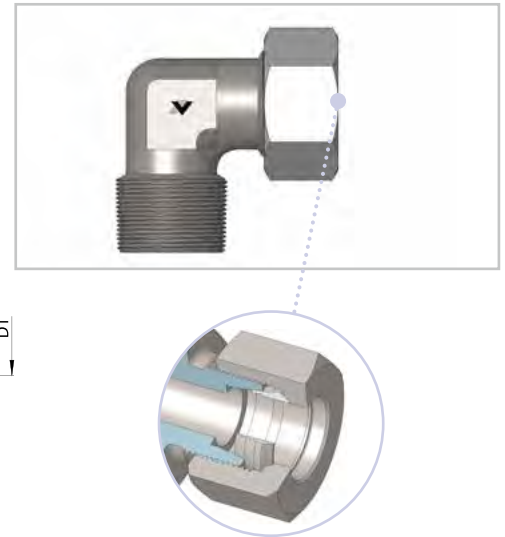
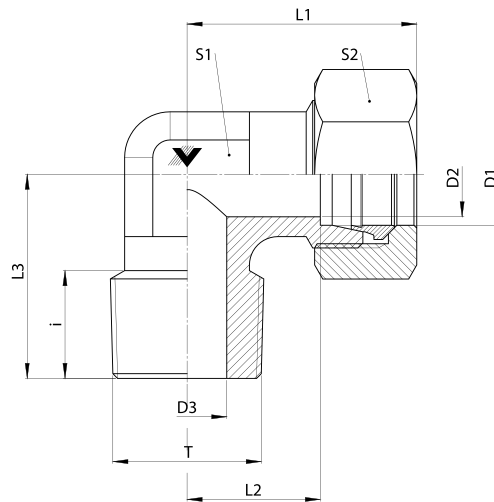
*Gerundete Werte / approx. Dimensions

- 45° auf Anfrage
- 45° on request

WEV - NPT

- Winkel-Einschraubverschraubung
- L-Reihe
- Gewinde: NPT

- Male Stud Elbow
- L Series
- Thread: BSPT

**WEV - NPT**

Baureihe Series	D1 mm	T	D2 mm	D3 mm	L1* mm	L2 mm	L3 mm	i mm	S1 mm	S2 mm	Gewicht Weight g	PN bar	Bezeichnung Name	Artikel-Nr. Article No.
LL	4	1/8" NPT	3	3	21	11	17	10	9	10	22	100	WEV 04 LL 1/8" NPT	105538
	6	1/8" NPT	4,5	4,5	21	9,5	17	10	9	12	24	100	WEV 06 LL 1/8" NPT	105545
	8	1/8" NPT	6	6	23	11,5	20	10	12	14	33	100	WEV 08 LL 1/8" NPT	105573
L	6	1/8" NPT	4	4	27	12	20	10	12	14	41	315	WEV 06 L 1/8" NPT	105543
	6	1/4" NPT	4	4	29	14	26	15	12	14	56	315	WEV 06 L 1/4" NPT	105542
	6	3/8" NPT	4	8	33	18	28	15	17	14	67	315	WEV 06 L 3/8" NPT	105544
	8	1/8" NPT	6	4	29	14	24	10	12	17	65	315	WEV 08 L 1/8" NPT	105571
	8	1/4" NPT	6	6	29	14	26	15	12	17	64	315	WEV 08 L 1/4" NPT	105570
	10	1/4" NPT	8	7	30	15	27	15	14	19	82	315	WEV 10 L 1/4" NPT	105595
	10	3/8" NPT	8	8	32	17	28	15	17	19	113	315	WEV 10 L 3/8" NPT	105597
	12	1/4" NPT	10	7	32	17	28	15	17	22	111	315	WEV 12 L 1/4" NPT	105615
	12	3/8" NPT	10	9	32	17	28	15	17	22	121	315	WEV 12 L 3/8" NPT	105617
	12	1/2" NPT	10	10	36	21	34	20	19	22	119	315	WEV 12 L 1/2" NPT	105614
	15	1/2" NPT	12	12	36	21	34	20	19	27	136	315	WEV 15 L 1/2" NPT	105641
	18	1/2" NPT	15	12	40	23,5	36	20	24	32	218	315	WEV 18 L 1/2" NPT	105659
	22	3/4" NPT	18	18	44	27,5	42	20	27	36	265	160	WEV 22 L 3/4" NPT	105682
	28	3/4" NPT	24	18	49	30	48	20	36	41	302	160	WEV 28 L 3/4" NPT	105702
	28	1" NPT	24	23	47	30,5	48	25	36	41	412	160	WEV 28 L 1" NPT	105700
35	1.1/4" NPT	30	30	56	34,5	54	25	41	50	622	160	WEV 35 L 1.1/4" NPT	105720	
42	1.1/2" NPT	36	36	63	40	61	26	50	60	1088	160	WEV 42 L 1.1/2" NPT	105735	

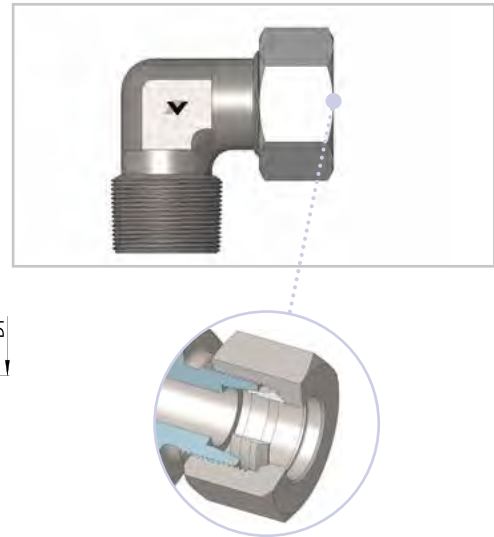
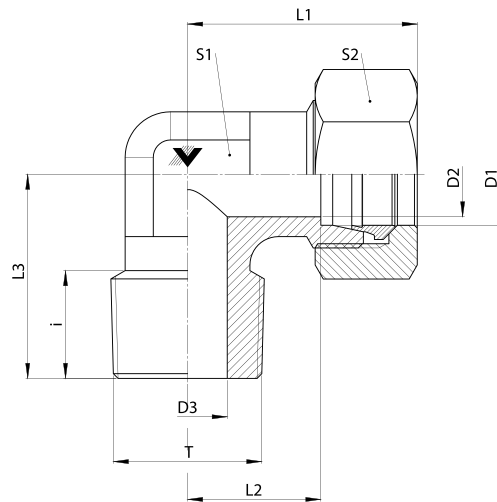
*Gerundete Werte / approx. Dimensions

- 45° auf Anfrage
- 45° on request

WEV - NPT

- Winkel-Einschraubverschraubung
- S-Reihe
- Gewinde: NPT

- Male Stud Elbow
- S Series
- Thread: BSPT



WEV - NPT

Baureihe Series	D1 mm	T	D2 mm	D3 mm	L1* mm	L2 mm	L3 mm	i mm	S1 mm	S2 mm	Gewicht Weight g	PN bar	Bezeichnung Name	Artikel-Nr. Article No.
S	6	1/4" NPT	4	4	31	16	26	15	12	17	75	630	WEV 06 S 1/4" NPT	105561
	8	1/4" NPT	5	5	32	17	27	15	14	19	96	630	WEV 08 S 1/4" NPT	105585
	8	3/8" NPT	5	8	33	18	28	15	17	19	100	630	WEV 08 S 3/8" NPT	105587
	8	1/2" NPT	5	10	38	23	34	20	19	19	98	630	WEV 08 S 1/2" NPT	105584
	10	1/2" NPT	7	7	40	19	34	19	19	22	114	630	WEV 10 S 1/2" NPT	105606
	10	1/4" NPT	7	5	34	17,5	28	15	17	22	130	630	WEV 10 S 1/4" NPT	105607
	10	3/8" NPT	7	7	34	17,5	28	15	17	22	132	630	WEV 10 S 3/8" NPT	105608
	12	1/4" NPT	8	5	38	21,5	29	15	17	24	111	630	WEV 12 S 1/4" NPT	105628
	12	3/8" NPT	8	8	38	21,5	28	15	17	24	161	630	WEV 12 S 3/8" NPT	105629
	12	1/2" NPT	8	8	38	21,5	32	20	17	24	145	630	WEV 12 S 1/2" NPT	105626
	14	1/2" NPT	10	10	40	22	33	20	19	27	160	630	WEV 14 S 1/2" NPT	105634
	16	1/2" NPT	12	12	43	24,5	34	20	24	30	229	400	WEV 16 S 1/2" NPT	105652
	20	3/4" NPT	16	16	48	26,5	42	20	27	36	318	400	WEV 20 S 3/4" NPT	105672
	25	1" NPT	20	20	54	30	48	25	36	46	596	400	WEV 25 S 1" NPT	105692
	30	1.1/4" NPT	25	25	62	35,5	54	25	41	50	836	400	WEV 30 S 1.1/4" NPT	105712
38	1.1/2" NPT	32	32	72	41	61	26	50	60	1391	315	WEV 38 S 1.1/2" NPT	105727	

*Gerundete Werte / approx. Dimensions

- 45° auf Anfrage
- 45° on request