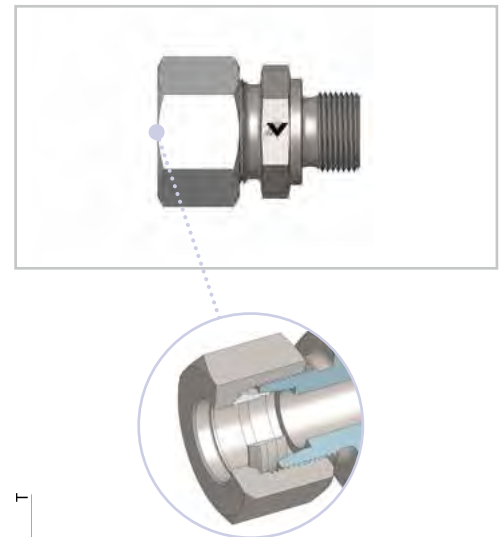
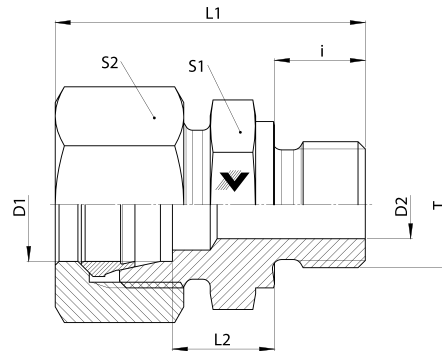


GEV - R

- Gerade Einschraubverschraubung
- L-Reihe
- Gewinde: Whitworth-Rohrgewinde zyl.
- Abdichtung durch metallische Dichtkante Form B

- Male Stud Connector
- L Series
- Thread: BSPP
- Metallic sealing edge Form B

**GEV - R**

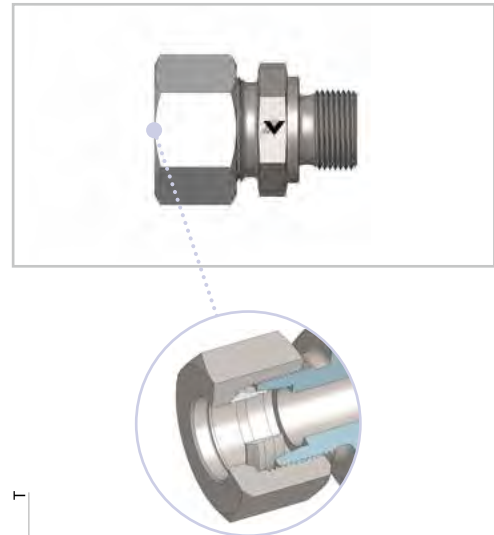
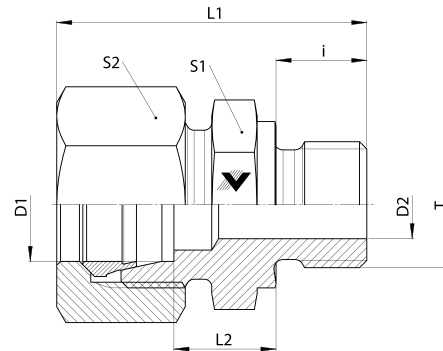
Baureihe Series	D1 mm	T	D2 mm	L1* mm	L2 mm	i mm	S1 mm	S2 mm	Gewicht Weight g	PN bar	Bezeichnung Name	Artikel-Nr. Article No.
LL	4	G 1/8"	3	27	9,5	8	14	10	16	100	GEV 04 LLR 1/8"	102187
	6	G 1/8"	4	28	8	8	14	12	20	100	GEV 06 LLR 1/8"	102205
	6	G 1/4"	5	33	9,5	12	19	12	48	100	GEV 06 LLR 1/4"	102206
	8	G 1/8"	4	28	9	8	14	14	25	100	GEV 08 LLR 1/8"	102273
	8	G 1/4"	6	33	9	12	19	14	32	100	GEV 08 LLR 1/4"	102274
L	6	G 1/8"	4	31	8,5	8	14	14	28	315	GEV 06 LR 1/8"	102220
	6	G 1/4"	4	37	10	12	19	14	59	315	GEV 06 LR 1/4"	102225
	6	G 3/8"	4	38	11,5	12	22	14	65	315	GEV 06 LR 3/8"	102231
	6	G 1/2"	4	41	12	14	27	14	75	315	GEV 06 LR 1/2"	102221
	8	G 1/8"	4	33	9,5	8	14	17	36	315	GEV 08 LR 1/8"	102293
	8	G 1/4"	6	37	10	12	19	17	46	315	GEV 08 LR 1/4"	102289
	8	G 3/8"	6	37	10	12	22	17	64	315	GEV 08 LR 3/8"	102299
	8	G 1/2"	6	41	12	14	27	17	94	315	GEV 08 LR 1/2"	102290
	8	G 3/4"	6	44	13	16	32	17	113	315	GEV 08 LR 3/4"	102296
	10	G 1/8"	4	33	10,5	8	17	19	45	315	GEV 10 LR 1/8"	102357
	10	G 1/4"	7	38	11	12	19	19	55	315	GEV 10 LR 1/4"	102353
	10	G 3/8"	8	39	12,5	12	22	19	68	315	GEV 10 LR 3/8"	102363
	10	G 1/2"	8	42	13	14	27	19	96	315	GEV 10 LR 1/2"	102354
	10	G 3/4"	8	45	14,5	16	32	19	118	315	GEV 10 LR 3/4"	102360
	12	G 1/8"	4	35	12,5	8	19	22	58	315	GEV 12 LR 1/8"	102428
	12	G 1/4"	7	39	12	12	19	22	63	315	GEV 12 LR 1/4"	102425
	12	G 3/8"	9	39	12,5	12	22	22	74	315	GEV 12 LR 3/8"	102421
	12	G 1/2"	10	42	13	14	27	22	99	315	GEV 12 LR 1/2"	102422
	12	G 3/4"	10	45	14	16	32	22	151	315	GEV 12 LR 3/4"	102431
	15	G 1/8"	4	37	14	8	24	27	86	250	GEV 15 LR 1/8"	102521
15	G 1/4"	7	41	14	12	24	27	91	250	GEV 15 LR 1/4"	102518	
15	G 3/8"	9	40	13,5	12	24	27	105	250	GEV 15 LR 3/8"	102529	
15	G 1/2"	11	40	14	14	27	27	121	250	GEV 15 LR 1/2"	102516	
15	G 3/4"	12	46	15	16	32	27	167	250	GEV 15 LR 3/4"	102526	
15	G 1"	12	49	16	18	41	27	204	250	GEV 15 LR 1"	102517	

*Gerundete Werte / approx. Dimensions

GEV - R

- Gerade Einschraubverschraubung
- L-Reihe
- Gewinde: Whitworth-Rohrgewinde zyl.
- Abdichtung durch metallische Dichtkante Form B

- Male Stud Connector
- L Series
- Thread: BSPP
- Metallic sealing edge Form B



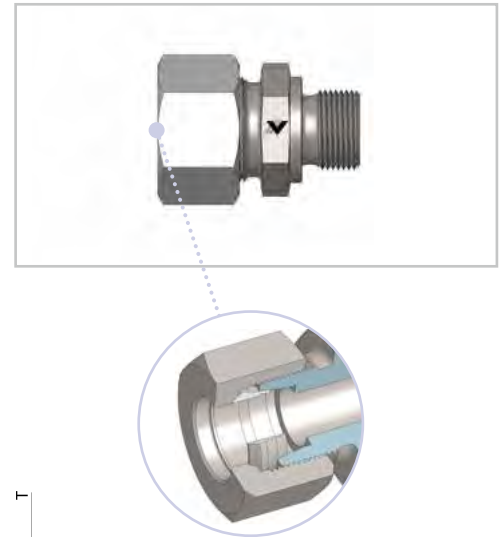
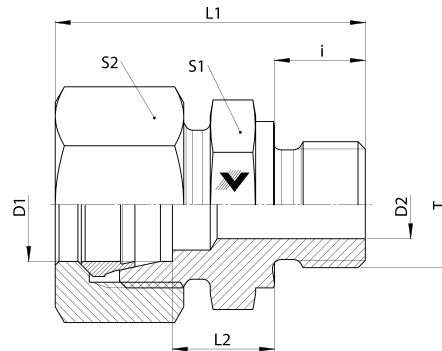
GEV - R												
Baureihe Series	D1 mm	T mm	D2 mm	L1* mm	L2 mm	i mm	S1 mm	S2 mm	Gewicht Weight g	PN bar	Bezeichnung Name	Artikel-Nr. Article No.
L	18	G 1/8"	4	39	14,5	8	27	32	115	250	GEV 18 LR 1/8"	102591
	18	G 1/4"	7	43	14,5	12	27	32	125	250	GEV 18 LR 1/4"	102588
	18	G 3/8"	9	43	14,5	12	27	32	140	250	GEV 18 LR 3/8"	102599
	18	G 1/2"	14	45	14,5	14	27	32	143	250	GEV 18 LR 1/2"	102586
	18	G 3/4"	15	47	14,5	16	32	32	184	250	GEV 18 LR 3/4"	102596
	18	G 1"	15	49	14,5	18	41	32	225	250	GEV 18 LR 1"	102587
	22	G 3/8"	9	45	16,5	12	32	36	179	160	GEV 22 LR 3/8"	102655
	22	G 1/2"	14	47	16,5	14	32	36	184	160	GEV 22 LR 1/2"	102649
	22	G 3/4"	18	49	16,5	16	32	36	197	160	GEV 22 LR 3/4"	102647
	22	G 1"	19	52	17,5	18	41	36	276	160	GEV 22 LR 1"	102648
	22	G 1.1/4"	19	54	17,5	20	50	36	388	160	GEV 22 LR 1.1/4"	102657
	28	G 1/2"	14	48	17,5	14	41	41	243	160	GEV 28 LR 1/2"	102695
	28	G 3/4"	18	50	17,5	16	41	41	258	160	GEV 28 LR 3/4"	102700
	28	G 1"	23	52	17,5	18	41	41	270	160	GEV 28 LR 1"	102694
	28	G 1.1/4"	24	54	17,5	20	50	41	417	160	GEV 28 LR 1.1/4"	102702
	28	G 1.1/2"	24	59	20,5	22	55	41	443	160	GEV 28 LR 1.1/2"	102698
	35	G 1/2"	14	53	17,5	14	46	50	354	160	GEV 35 LR 1/2"	102739
	35	G 3/4"	18	55	17,5	16	46	50	363	160	GEV 35 LR 3/4"	102746
	35	G 1"	23	57	17,5	18	46	50	395	160	GEV 35 LR 1"	102738
	35	G 1.1/4"	30	59	17,5	20	50	50	437	160	GEV 35 LR 1.1/4"	102737
35	G 1.1/2"	30	63	19,5	22	55	50	518	160	GEV 35 LR 1.1/2"	102744	
42	G 1"	23	60	19	18	55	60	570	160	GEV 42 LR 1"	102774	
42	G 1.1/4"	30	62	19	20	55	60	580	160	GEV 42 LR 1.1/4"	102777	
42	G 1.1/2"	36	94	19	22	55	60	592	160	GEV 42 LR 1.1/2"	102773	

*Gerundete Werte / approx. Dimensions

GEV - R

- Gerade Einschraubverschraubung
- L-Reihe
- Gewinde: Whitworth-Rohrgewinde zyl.
- Abdichtung durch metallische Dichtkante Form B

- Male Stud Connector
- L Series
- Thread: BSPP
- Metallic sealing edge Form B

**GEV - R****Baureihe
Series****S**

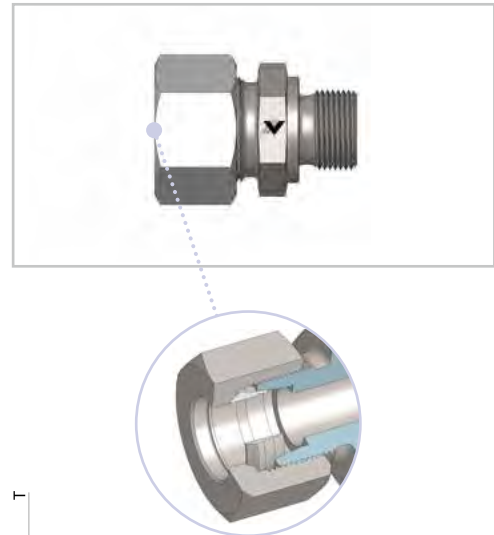
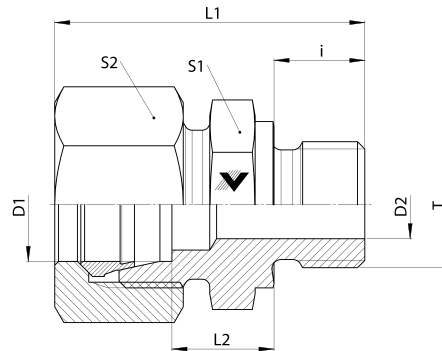
D1 mm	T	D2 mm	L1* mm	L2 mm	i mm	S1 mm	S2 mm	Gewicht Weight g	PN bar	Bezeichnung Name	Artikel-Nr. Article No.
6	G 1/8"	4	35	12,5	8	17	17	43	630	GEV 06 SR 1/8"	102251
6	G 1/4"	4	40	13	12	19	17	55	630	GEV 06 SR 1/4"	102247
6	G 3/8"	4	42	15,5	12	22	17	78	630	GEV 06 SR 3/8"	102255
6	G 1/2"	4	47	18	14	27	17	105	630	GEV 06 SR 1/2"	102248
6	G 3/4"	4	51	20	16	32	17	140	630	GEV 06 SR 3/4"	102253
8	G 1/4"	5	42	15	12	19	19	65	630	GEV 08 SR 1/4"	102319
8	G 3/8"	5	42	15,5	12	22	19	85	630	GEV 08 SR 3/8"	102326
8	G 1/2"	5	47	18	14	27	19	125	630	GEV 08 SR 1/2"	102320
10	G 1/8"	4	39	14	8	19	22	80	630	GEV 10 SR 1/8"	102391
10	G 1/4"	5	43	14,5	12	19	22	80	630	GEV 10 SR 1/4"	102389
10	G 3/8"	7	43	15	12	22	22	97	630	GEV 10 SR 3/8"	102386
10	G 1/2"	7	48	17,5	14	27	22	135	630	GEV 10 SR 1/2"	102387
10	G 3/4"	7	50	17,5	16	32	22	170	630	GEV 10 SR 3/4"	102393
12	G 1/4"	5	45	16,5	12	22	24	100	630	GEV 12 SR 1/4"	102464
12	G 3/8"	8	46	17	12	22	24	105	630	GEV 12 SR 3/8"	102460
12	G 1/2"	8	48	17,5	14	27	24	100	630	GEV 12 SR 1/2"	102461
12	G 3/4"	8	50	17,5	16	32	24	172	630	GEV 12 SR 3/4"	102468
14	G 1/4"	5	46	16	12	22	27	120	630	GEV 14 SR 1/4"	102483
14	G 3/8"	8	48	18,5	12	22	27	135	630	GEV 14 SR 3/8"	102490
14	G 1/2"	10	51	19	14	27	27	155	630	GEV 14 SR 1/2"	102481
14	G 3/4"	10	55	21	16	32	27	200	630	GEV 14 SR 3/4"	102488
14	G 1"	10	60	23	18	41	27	310	630	GEV 14 SR 1"	102482
16	G 1/4"	5	48	18	12	24	30	135	630	GEV 16 SR 1/4"	102557
16	G 3/8"	8	48	18	12	27	30	160	630	GEV 16 SR 3/8"	102564
16	G 1/2"	12	51	18,5	14	27	30	167	630	GEV 16 SR 1/2"	102555
16	G 3/4"	12	55	20,5	16	32	30	233	630	GEV 16 SR 3/4"	102562

*Gerundete Werte / approx. Dimensions

GEV - R

- Gerade Einschraubverschraubung
- L-Reihe
- Gewinde: Whitworth-Rohrgewinde zyl.
- Abdichtung durch metallische Dichtkante Form B

- Male Stud Connector
- L Series
- Thread: BSPP
- Metallic sealing edge Form B



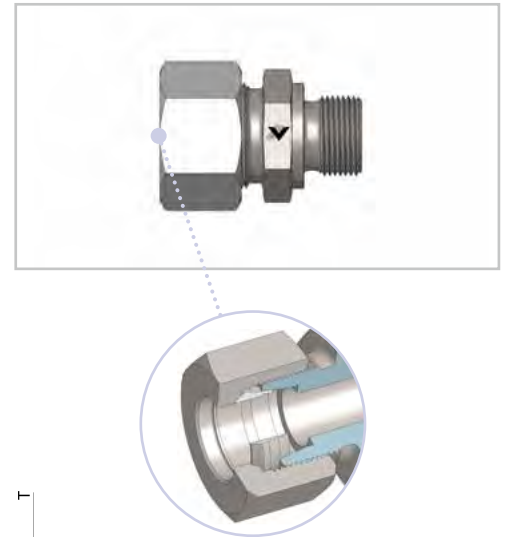
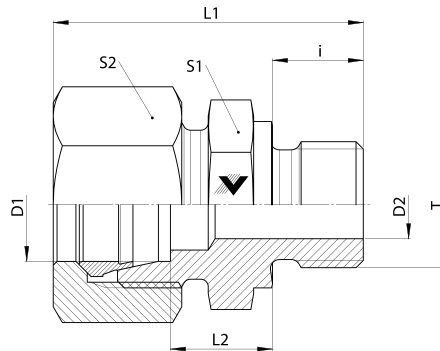
GEV - R												
Baureihe Series	D1 mm	T "	D2 mm	L1* mm	L2 mm	i mm	S1 mm	S2 mm	Gewicht Weight g	PN bar	Bezeichnung Name	Artikel-Nr. Article No.
S	20	G 1/4"	5	54	20,5	12	32	36	250	400	GEV 20 SR 1/4"	123823
	20	G 3/8"	8	54	20,5	12	32	36	255	400	GEV 20 SR 3/8"	102626
	20	G 1/2"	12	56	20,5	14	32	36	260	400	GEV 20 SR 1/2"	102621
	20	G 3/4"	16	58	20,5	16	32	36	265	400	GEV 20 SR 3/4"	102619
	20	G 1"	16	62	22,5	18	41	36	370	400	GEV 20 SR 1"	102620
	20	G 1.1/4"	16	64	22,5	20	50	36	500	400	GEV 20 SR 1.1/4"	102628
	20	G 1.1/2"	16	69	25,5	22	55	36	615	400	GEV 20 SR 1.1/2"	102624
	25	G 1/2"	12	61	23	14	41	46	450	400	GEV 25 SR 1/2"	102673
	25	G 3/4"	16	63	23	16	41	46	460	400	GEV 25 SR 3/4"	102677
	25	G 1"	20	65	23	18	41	46	480	400	GEV 25 SR 1"	102672
	25	G 1.1/4"	20	67	23	20	50	46	640	400	GEV 25 SR 1.1/4"	102679
	25	G 1.1/2"	20	72	26	22	55	46	720	400	GEV 25 SR 1.1/2"	102675
	30	G 1/2"	12	64	23,5	14	46	50	560	250	GEV 30 SR 1/2"	102718
	30	G 1"	20	68	23,5	18	46	50	580	250	GEV 30 SR 1"	102717
	30	G 1.1/4"	25	70	23,5	20	50	50	660	250	GEV 30 SR 1.1/4"	102716
	30	G 1.1/2"	25	75	26,5	22	55	50	790	250	GEV 30 SR 1.1/2"	102722
	38	G 3/4"	16	73	26	16	55	60	915	250	GEV 38 SR 3/4"	102761
	38	G 1"	20	75	26	18	55	60	940	250	GEV 38 SR 1"	102759
38	G 1.1/4"	25	77	26	20	55	60	950	250	GEV 38 SR 1.1/4"	102762	
38	G 1.1/2"	32	79	26	22	55	60	960	250	GEV 38 SR 1.1/2"	102758	

*Gerundete Werte / approx. Dimensions

GEV - M

- Gerade Einschraubverschraubung
- L-Reihe
- Gewinde: Metrisch-zyl.
- Abdichtung durch metallische Dichtkante Form B

- Male Stud Connector
- L Series
- Thread: Metric parallel
- Metallic sealing edge Form B

**GEV - M****Baureihe
Series****L**

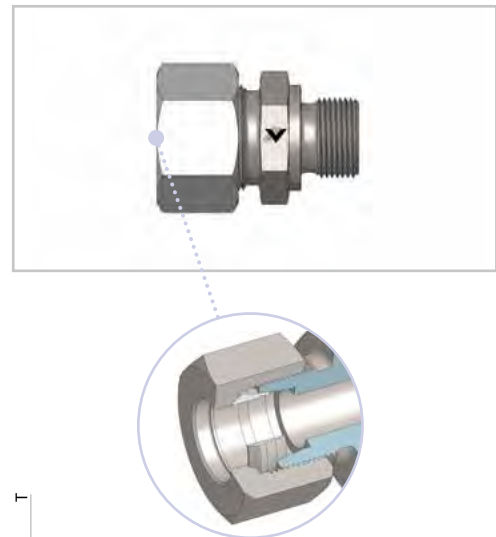
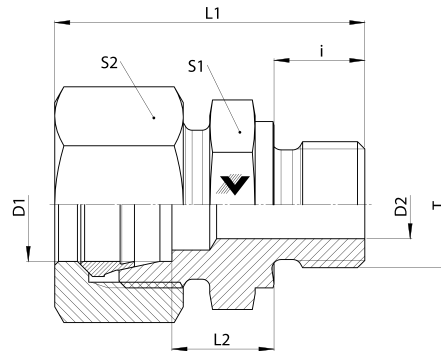
D1 mm	T	D2 mm	L1* mm	L2 mm	i mm	S1 mm	S2 mm	Gewicht Weight g	PN bar	Bezeichnung Name	Artikel-Nr. Article No.
6	M 10 x 1	4	31	8,5	8	14	14	42	315	GEV 06 LM 10 x 1	102208
6	M 12 x 1,5	4	37	10	12	17	14	45	315	GEV 06 LM 12 x 1,5	102212
6	M 14 x 1,5	4	38	11	12	19	14	52	315	GEV 06 LM 14 x 1,5	102215
8	M 10 x 1	4	32	8,5	8	14	17	52	315	GEV 08 LM 10 x 1	102278
8	M 12 x 1,5	6	37	10	12	17	17	65	315	GEV 08 LM 12 x 1,5	102277
8	M 14 x 1,5	6	38	11	12	19	17	72	315	GEV 08 LM 14 x 1,5	102281
8	M 16 x 1,5	6	39	11,5	12	22	17	77	315	GEV 08 LM 16 x 1,5	102284
8	M 18 x 1,5	6	39	11,5	12	24	17	87	315	GEV 08 LM 18 x 1,5	123831
10	M 10 x 1	4	33	11	8	17	19	46	315	GEV 10 LM 10 x 1	123833
10	M 12 x 1,5	6	39	11	12	17	19	51	315	GEV 10 LM 12 x 1,5	102340
10	M 14 x 1,5	7	39	11	12	19	19	51	315	GEV 10 LM 14 x 1,5	102339
10	M 16 x 1,5	8	41	12,5	12	22	19	61	315	GEV 10 LM 16 x 1,5	102343
10	M 18 x 1,5	8	41	12,5	12	24	19	71	315	GEV 10 LM 18 x 1,5	102346
10	M 22 x 1,5	8	44	14	14	27	19	101	315	GEV 10 LM 22 x 1,5	102349
12	M 12 x 1,5	6	39	11	12	19	22	59	315	GEV 12 LM 12 x 1,5	102407
12	M 14 x 1,5	7	39	11	12	19	22	64	315	GEV 12 LM 14 x 1,5	102410
12	M 16 x 1,5	9	40	12,5	12	22	22	69	315	GEV 12 LM 16 x 1,5	102406
12	M 18 x 1,5	10	40	12,5	12	24	22	79	315	GEV 12 LM 18 x 1,5	102413
12	M 22 x 1,5	10	43	14	14	27	22	109	315	GEV 12 LM 22 x 1,5	102416
15	M 16 x 1,5	9	40	13	12	24	27	97	315	GEV 15 LM 16 x 1,5	102507
15	M 18 x 1,5	11	41	13,5	12	24	27	105	315	GEV 15 LM 18 x 1,5	102510
15	M 22 x 1,5	12	44	15	14	27	27	146	315	GEV 15 LM 22 x 1,5	102512
18	M 18 x 1,5	11	42	14	12	27	32	143	315	GEV 18 LM 18 x 1,5	102581
18	M 22 x 1,5	14	45	14,5	14	27	32	168	315	GEV 18 LM 22 x 1,5	102577
18	M 26 x 1,5	15	47	14,5	16	32	32	189	315	GEV 18 LM 26 x 1,5	123834
22	M 22 x 1,5	14	47	16,5	14	32	36	197	160	GEV 22 LM 22 x 1,5	102643
22	M 26 x 1,5	18	49	16,5	16	32	36	204	160	GEV 22 LM 26 x 1,5	102640
28	M 33 x 2	23	52	17,5	18	41	41	286	160	GEV 28 LM 33 x 2	102691
35	M 42 x 2	30	59	17,5	20	50	50	470	160	GEV 35 LM 42 x 2	102734
42	M 48 x 2	36	64	19	22	55	60	637	160	GEV 42 LM 48 x 2	102770

*Gerundete Werte / approx. Dimensions

GEV - M

- Gerade Einschraubverschraubung
- S-Reihe
- Gewinde: Metrisch-zyl.
- Abdichtung durch metallische Dichtkante Form B

- Male Stud Connector
- S Series
- Thread: Metric parallel
- Metallic sealing edge Form B



GEV - M

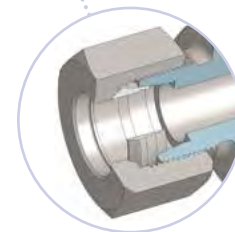
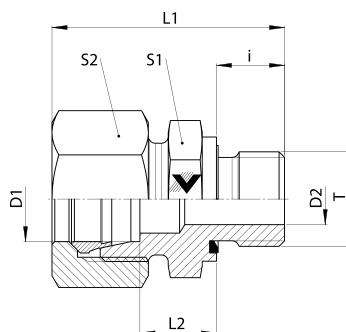
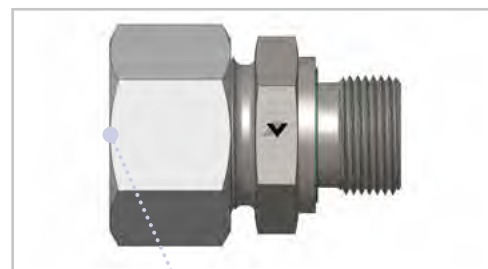
Baureihe Series	D1 mm	T	D2 mm	L1* mm	L2 mm	i mm	S1 mm	S2 mm	Gewicht Weight g	PN bar	Bezeichnung Name	Artikel-Nr. Article No.
S	6	M 12 x 1,5	4	40	13	12	17	17	52	630	GEV 06 SM 12 x 1,5	102241
	6	M 14 x 1,5	4	42	15	12	19	17	59	630	GEV 06 SM 14 x 1,5	102244
	8	M 12 x 1,5	4	40	13	12	17	17	66	630	GEV 08 SM 12 x 1,5	102314
	8	M 14 x 1,5	5	42	15	12	19	19	68	630	GEV 08 SM 14 x 1,5	102311
	8	M 16 x 1,5	5	42	15	12	22	19	71	630	GEV 08 SM 16 x 1,5	102316
	10	M 14 x 1,5	5	44	15	12	19	22	86	630	GEV 10 SM 14 x 1,5	102379
	10	M 16 x 1,5	7	43	15	12	22	22	88	630	GEV 10 SM 16 x 1,5	102376
	10	M 18 x 1,5	7	45	17	12	24	22	114	630	GEV 10 SM 18 x 1,5	102381
	10	M 22 x 1,5	7	46	15,5	14	27	22	137	630	GEV 10 SM 22 x 1,5	102383
	12	M 12 x 1,5	4	45	16,5	12	22	24	101	630	GEV 12 SM 12 x 1,5	102451
	12	M 14 x 1,5	5	45	16,5	12	22	24	98	630	GEV 12 SM 14 x 1,5	102453
	12	M 16 x 1,5	7	44	16,5	12	22	24	106	630	GEV 12 SM 16 x 1,5	102455
	12	M 18 x 1,5	8	46	17	12	24	24	110	630	GEV 12 SM 18 x 1,5	102450
	12	M 22 x 1,5	8	49	17,5	14	27	24	141	630	GEV 12 SM 22 x 1,5	102457
	14	M 20 x 1,5	10	52	19	14	27	27	152	630	GEV 14 SM 20 x 1,5	102478
	14	M 27 x 2	10	53	19	16	32	27	224	630	GEV 14 SM 27 x 2	102479
	16	M 12 x 1,5	4	49	18	12	27	30	164	400	GEV 16 SM 12 x 1,5	102549
	16	M 16 x 1,5	7	49	18	12	27	30	169	400	GEV 16 SM 16 x 1,5	102550
	16	M 18 x 1,5	8	49	18	12	27	30	160	400	GEV 16 SM 18 x 1,5	102552
	16	M 22 x 1,5	12	51	18,5	14	27	30	169	400	GEV 16 SM 22 x 1,5	102548
	20	M 18 x 1,5	8	56	22,5	12	32	36	282	400	GEV 20 SM 18 x 1,5	102615
	20	M 22 x 1,5	12	58	22,5	14	32	36	286	400	GEV 20 SM 22 x 1,5	102616
	20	M 27 x 2	16	58	20,5	16	32	36	303	400	GEV 20 SM 27 x 2	102614
	25	M 22 x 1,5	12	61	23	14	41	46	478	400	GEV 25 SM 22 x 1,5	102670
	25	M 33 x 2	20	65	23	18	41	46	495	400	GEV 25 SM 33 x 2	102669
	30	M 33 x 2	20	68	23,5	18	50	50	646	400	GEV 30 SM 33 x 2	123835
	30	M 42 x 2	25	70	23,5	20	50	50	703	400	GEV 30 SM 42 x 2	102714
	38	M 48 x 2	32	79	26	22	55	60	989	315	GEV 38 SM 48 x 2	102756

*Gerundete Werte / approx. Dimensions

GEV - R - WD

- Gerade Einschraubverschraubung
- L-Reihe
- Gewinde: Whitworth-Rohrgewinde zyl.
- Abdichtung durch Viton Profildichtung DIN 3869

- Male Stud Connector
- L Series
- Thread: BSPP
- Sealing by Viton profile ring DIN 3869

**GEV - R - WD**

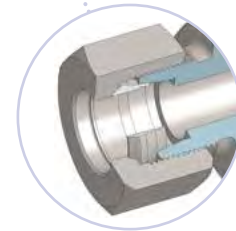
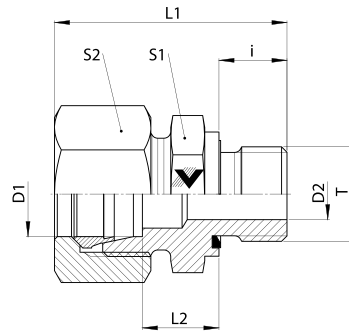
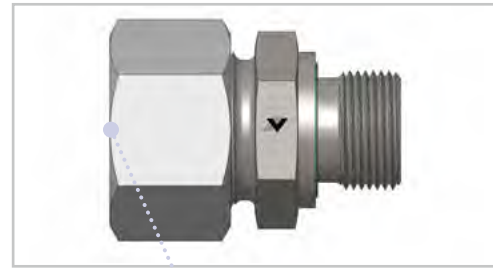
Baureihe Series	D1 mm	T	D2 mm	L1* mm	L2 mm	i mm	S1 mm	S2 mm	Gewicht Weight g	PN bar	Bezeichnung Name	Artikel-Nr. Article No.
LL	4	G 1/8"	3	26	9,5	6,5	14	10	14	100	GEV 04 LLR 1/8" WD	123836
	6	G 1/8"	4	27	8	6,5	14	12	19	100	GEV 06 LLR 1/8" WD	123837
L	6	G 1/8"	4	31	8,5	8	14	14	25	315	GEV 06 LR 1/8" WD	102235
	6	G 1/4"	4	37	10	12	19	14	40	315	GEV 06 LR 1/4" WD	102227
	6	G 3/8"	4	38	11,5	12	22	14	56	315	GEV 06 LR 3/8" WD	102233
	6	G 1/2"	4	41	12	14	27	14	73	315	GEV 06 LR 1/2" WD	102224
	8	G 1/8"	4	32	9,5	8	14	17	33	315	GEV 08 LR 1/8" WD	102295
	8	G 1/4"	6	37	10	12	19	17	44	315	GEV 08 LR 1/4" WD	102303
	8	G 3/8"	6	37	10	12	22	17	63	315	GEV 08 LR 3/8" WD	102301
	8	G 1/2"	6	41	12	14	27	17	91	315	GEV 08 LR 1/2" WD	102292
	10	G 1/8"	4	33	10,5	8	17	19	42	315	GEV 10 LR 1/8" WD	102359
	10	G 1/4"	7	38	11	12	19	19	50	315	GEV 10 LR 1/4" WD	102368
	10	G 3/8"	8	39	12,5	12	22	19	64	315	GEV 10 LR 3/8" WD	102366
	10	G 1/2"	8	42	13	14	27	19	92	315	GEV 10 LR 1/2" WD	102356
	10	G 3/4"	8	45	14	16	32	19	125	315	GEV 10 LR 3/4" WD	102362
	12	G 1/8"	4	34	11,5	8	19	22	55	315	GEV 12 LR 1/8" WD	102430
	12	G 1/4"	7	39	12	12	19	22	60	315	GEV 12 LR 1/4" WD	102427
	12	G 3/8"	9	39	12,5	12	22	22	70	315	GEV 12 LR 3/8" WD	102439
	12	G 1/2"	10	42	13	14	27	22	96	315	GEV 12 LR 1/2" WD	102424
	12	G 3/4"	10	45	14	16	32	22	147	315	GEV 12 LR 3/4" WD	102433
15	G 1/4"	7	40	12,5	12	22	27	93	315	GEV 15 LR 1/4" WD	102520	
15	G 3/8"	9	41	13,5	12	24	27	101	315	GEV 15 LR 3/8" WD	102533	
15	G 1/2"	11	43	14	14	27	27	119	315	GEV 15 LR 1/2" WD	102538	
15	G 3/4"	12	46	15	16	32	27	163	315	GEV 15 LR 3/4" WD	102528	
18	G 3/8"	9	43	14	12	27	32	134	160	GEV 18 LR 3/8" WD	102601	
18	G 1/2"	14	45	14,5	14	27	32	139	160	GEV 18 LR 1/2" WD	102604	
18	G 3/4"	15	47	14,5	16	32	32	178	160	GEV 18 LR 3/4" WD	102598	

*Gerundete Werte / approx. Dimensions

GEV - R - WD

- Gerade Einschraubverschraubung
- L- und S-Reihe
- Gewinde: Whitworth-Rohrgewinde zyl.
- Abdichtung durch Viton Profildichtung DIN 3869

- Male Stud Connector
- L and S Series
- Thread: BSPP
- Sealing by Viton profile ring DIN 3869



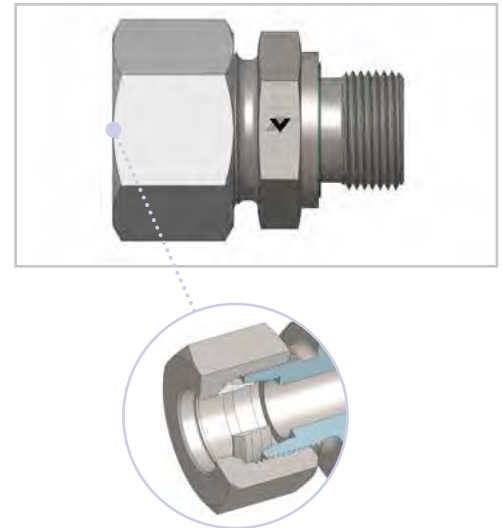
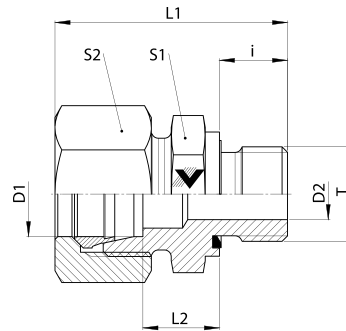
GEV - R - WD												
Baureihe Series	D1 mm	T "	D2 mm	L1* mm	L2 mm	i mm	S1 mm	S2 mm	Gewicht Weight g	PN bar	Bezeichnung Name	Artikel-Nr. Article No.
L	22	G 1/2"	14	47	16,5	14	32	36	180	160	GEV 22 LR 1/2" WD	102650
	22	G 3/4"	18	49	16,5	16	32	36	191	160	GEV 22 LR 3/4" WD	102661
	22	G 1"	19	52	17,5	18	41	36	278	160	GEV 22 LR 1" WD	102651
	28	G 1/2"	14	48	17,5	14	41	41	250	160	GEV 28 LR 1/2" WD	102696
	28	G 3/4"	18	50	17,5	16	41	41	257	160	GEV 28 LR 3/4" WD	102701
	28	G 1"	23	52	17,5	18	41	41	268	160	GEV 28 LR 1" WD	102705
	28	G 1.1/4"	24	54	17,5	20	50	41	414	160	GEV 28 LR 1.1/4" WD	102703
	35	G 3/4"	18	55	17,5	16	46	50	389	160	GEV 35 LR 3/4" WD	102747
	35	G 1"	23	57	17,5	18	46	50	383	160	GEV 35 LR 1" WD	102741
	35	G 1.1/4"	30	59	17,5	20	50	50	429	160	GEV 35 LR 1.1/4" WD	102750
	35	G 1.1/2"	30	63	19,5	22	55	50	580	160	GEV 35 LR 1.1/2" WD	102745
	42	G 1"	23	60	19	18	55	60	563	160	GEV 42 LR 1" WD	102775
	42	G 1.1/4"	30	62	19	20	55	60	587	160	GEV 42 LR 1.1/4" WD	102779
	42	G 1.1/2"	36	64	19	22	55	60	582	160	GEV 42 LR 1.1/2" WD	102781
S	6	G 1/8"	4	36	13	8	17	17	40	630	GEV 06 SR 1/8" WD	102252
	6	G 1/4"	4	40	13	12	19	17	54	630	GEV 06 SR 1/4" WD	102257
	6	G 3/8"	4	42	15,5	12	22	17	71	630	GEV 06 SR 3/8" WD	102256
	6	G 1/2"	4	47	18	14	27	17	102	630	GEV 06 SR 1/2" WD	102250
	8	G 1/8"	4	37	14	8	19	19	58	630	GEV 08 SR 1/8" WD	102323
	8	G 1/4"	5	42	15	12	19	19	64	630	GEV 08 SR 1/4" WD	102328
	8	G 3/8"	5	42	15,5	12	22	19	80	630	GEV 08 SR 3/8" WD	102327
	8	G 1/2"	5	47	18	14	27	19	112	630	GEV 08 SR 1/2" WD	102321
	10	G 1/8"	4	35	10,5	8	19	22	58	630	GEV 10 SR 1/8" WD	102392
	10	G 1/4"	5	43	14,5	12	19	22	76	630	GEV 10 SR 1/4" WD	102390
	10	G 3/8"	7	43	15	12	22	22	89	630	GEV 10 SR 3/8" WD	102397
	10	G 1/2"	7	48	17,5	14	27	22	131	630	GEV 10 SR 1/2" WD	102388
	10	G 3/4"	7	47	14	16	32	22	137	630	GEV 10 SR 3/4" WD	102394
	12	G 1/4"	5	45	16,5	12	22	24	99	630	GEV 12 SR 1/4" WD	102465
	12	G 3/8"	8	45	17	12	22	24	100	630	GEV 12 SR 3/8" WD	102470
	12	G 1/2"	8	48	17,5	14	27	24	137	630	GEV 12 SR 1/2" WD	102463
12	G 3/4"	8	50	17,5	16	32	24	141	630	GEV 12 SR 3/4" WD	102469	

*Gerundete Werte / approx. Dimensions

GEV - R - WD

- Gerade Einschraubverschraubung
- S-Reihe
- Gewinde: Whitworth-Rohrgewinde zyl.
- Abdichtung durch Viton Profildichtung DIN 3869

- Male Stud Connector
- S Series
- Thread: BSPP
- Sealing by Viton profile ring DIN 3869

**GEV - R - WD**

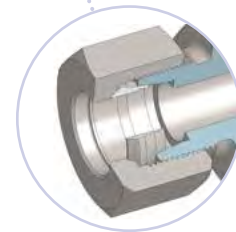
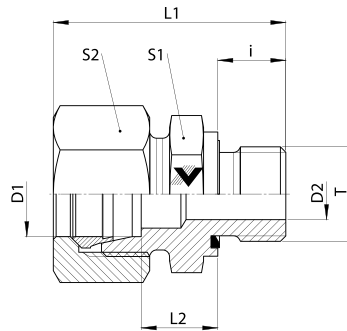
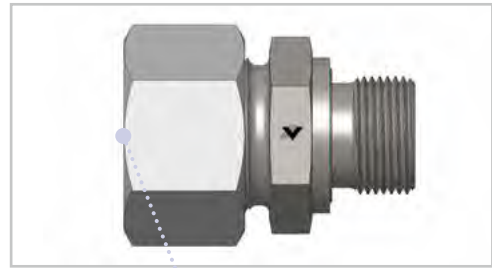
Baureihe Series	D1 mm	T	D2 mm	L1* mm	L2 mm	i mm	S1 mm	S2 mm	Gewicht Weight g	PN bar	Bezeichnung Name	Artikel-Nr. Article No.
S	14	G 3/8"	8	48	18,5	12	22	27	131	630	GEV 14 SR 3/8" WD	102491
	14	G 1/2"	10	51	19	14	27	27	153	630	GEV 14 SR 1/2" WD	102492
	14	G 3/4"	10	55	21	16	32	27	195	630	GEV 14 SR 3/4" WD	102489
	16	G 1/4"	7	48	17,5	12	27	30	152	400	GEV 16 SR 1/4" WD	102558
	16	G 3/8"	8	48	18	12	27	30	162	400	GEV 16 SR 3/8" WD	102565
	16	G 1/2"	12	51	18,5	14	27	30	172	400	GEV 16 SR 1/2" WD	102566
	16	G 3/4"	12	55	20,5	16	32	30	224	400	GEV 16 SR 3/4" WD	102563
	16	G 1"	12	57	22,5	18	41	30	322	400	GEV 16 SR 1" WD	102561
	20	G 3/8"	8	53	20	12	32	36	253	400	GEV 20 SR 3/8" WD	102627
	20	G 1/2"	12	56	20,5	14	32	36	263	400	GEV 20 SR 1/2" WD	102622
	20	G 3/4"	16	58	20,5	16	32	36	279	400	GEV 20 SR 3/4" WD	102630
	20	G 1"	16	62	22,5	18	41	36	378	400	GEV 20 SR 1" WD	102623
	20	G 1.1/4"	16	64	22,5	20	50	36	517	400	GEV 20 SR 1.1/4" WD	102629
	25	G 1/2"	12	61	23	14	41	46	443	400	GEV 25 SR 1/2" WD	102674
	25	G 3/4"	16	63	23	16	41	46	471	400	GEV 25 SR 3/4" WD	102678
	25	G 1"	20	65	23	18	41	46	481	400	GEV 25 SR 1" WD	102682
	25	G 1.1/4"	20	67	23	20	50	46	626	400	GEV 25 SR 1.1/4" WD	102680
	30	G 3/4"	16	66	24	16	46	50	579	400	GEV 30 SR 3/4" WD	102725
	30	G 1"	20	68	23,5	18	46	50	588	400	GEV 30 SR 1" WD	102721
	30	G 1.1/4"	25	70	23,5	20	50	50	656	400	GEV 30 SR 1.1/4" WD	102726
30	G 1.1/2"	25	75	26,5	22	55	50	768	400	GEV 30 SR 1.1/2" WD	102723	
38	G 1"	20	75	26	18	55	50	917	315	GEV 38 SR 1" WD	102760	
38	G 1.1/4"	25	77	26	20	55	60	937	315	GEV 38 SR 1.1/4" WD	102763	
38	G 1.1/2"	32	79	26	22	55	60	925	315	GEV 38 SR 1.1/2" WD	102764	

*Gerundete Werte / approx. Dimensions

GEV - M - WD

- Gerade Einschraubverschraubung
- L-Reihe
- Gewinde: Metrisch-zyl.
- Abdichtung durch Viton Profildichtung DIN 3869

- Male Stud Connector
- L Series
- Thread: Metric parallel
- Sealing by Viton profile ring DIN 3869



GEV - M - WD

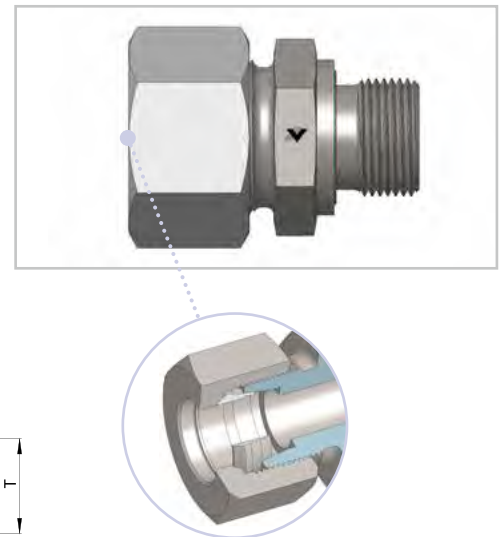
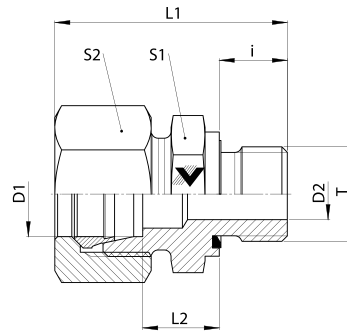
Baureihe Series	D1 mm	T	D2 mm	L1* mm	L2 mm	i mm	S1 mm	S2 mm	Gewicht Weight g	PN bar	Bezeichnung Name	Artikel-Nr. Article No.
L	6	M 10 x 1	4	31	8,5	8	14	14	25	500	GEV 06 LM 10 x 1 WD	102219
	6	M 12 x 1,5	4	47	10	12	17	14	37	500	GEV 06 LM 12 x 1,5 WD	102214
	6	M 14 x 1,5	4	37	10	12	19	14	43	500	GEV 06 LM 14 x 1,5 WD	102217
	8	M 10 x 1	4	31	8,5	8	14	17	35	500	GEV 08 LM 10 x 1 WD	102280
	8	M 12 x 1,5	6	37	10	12	17	17	39	500	GEV 08 LM 12 x 1,5 WD	102288
	8	M 14 x 1,5	6	37	10	12	19	17	48	500	GEV 08 LM 14 x 1,5 WD	102283
	8	M 16 x 1,5	6	39	11	12	22	17	52	500	GEV 08 LM 16 x 1,5 WD	102286
	10	M 12 x 1,5	6	38	11	12	17	19	44	500	GEV 10 LM 12 x 1,5 WD	102342
	10	M 14 x 1,5	7	38	11	12	19	19	50	500	GEV 10 LM 14 x 1,5 WD	102352
	10	M 16 x 1,5	8	39	12,5	12	22	19	61	500	GEV 10 LM 16 x 1,5 WD	102345
	10	M 18 x 1,5	8	39	12,5	12	24	19	71	500	GEV 10 LM 18 x 1,5 WD	102348
	10	M 22 x 1,5	8	43	13	14	27	19	101	500	GEV 10 LM 22 x 1,5 WD	102350
	12	M 12 x 1,5	4	38	11	12	19	22	54	400	GEV 12 LM 12 x 1,5 WD	102409
	12	M 14 x 1,5	7	38	11	12	19	22	59	400	GEV 12 LM 14 x 1,5 WD	102412
	12	M 16 x 1,5	9	39	12,5	12	22	22	69	400	GEV 12 LM 16 x 1,5 WD	102420
	12	M 18 x 1,5	10	39	12,5	12	24	22	76	400	GEV 12 LM 18 x 1,5 WD	102415
	12	M 22 x 1,5	10	42	13	14	27	22	104	400	GEV 12 LM 22 x 1,5 WD	102418
	15	M 16 x 1,5	9	40	13	12	24	27	111	400	GEV 15 LM 16 x 1,5 WD	102509
	15	M 18 x 1,5	11	41	13,5	12	24	27	98	400	GEV 15 LM 18 x 1,5 WD	102515
	15	M 22 x 1,5	12	44	15	14	27	27	124	400	GEV 15 LM 22 x 1,5 WD	102514
	18	M 18 x 1,5	11	42	14	12	27	32	136	400	GEV 18 LM 18 x 1,5 WD	102583
	18	M 22 x 1,5	14	45	14,5	14	27	32	142	400	GEV 18 LM 22 x 1,5 WD	102585
	22	M 22 x 1,5	14	47	16,5	14	32	36	186	250	GEV 22 LM 22 x 1,5 WD	102644
	22	M 26 x 1,5	18	49	16,5	16	32	36	192	250	GEV 22 LM 26 x 1,5 WD	102646
	28	M 33 x 2	23	52	17,5	18	41	41	266	250	GEV 28 LM 33 x 2 WD	102693
	35	M 42 x 2	30	59	17,5	20	50	50	438	250	GEV 35 LM 42 x 2 WD	102736
	42	M 48 x 2	36	64	19	22	55	60	595	250	GEV 42 LM 48 x 2 WD	102772

*Gerundete Werte / approx. Dimensions

GEV - M - WD

- Gerade Einschraubverschraubung
- S-Reihe
- Gewinde: Metrisch-zyl.
- Abdichtung durch Viton Profildichtung DIN 3869

- Male Stud Connector
- S Series
- Thread: Metric parallel
- Sealing by Viton profile ring DIN 3869

**GEV - M - WD**

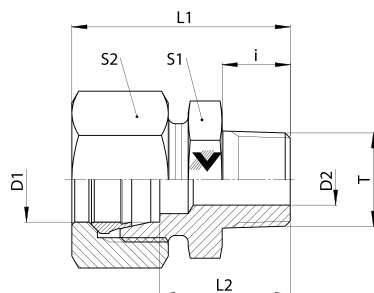
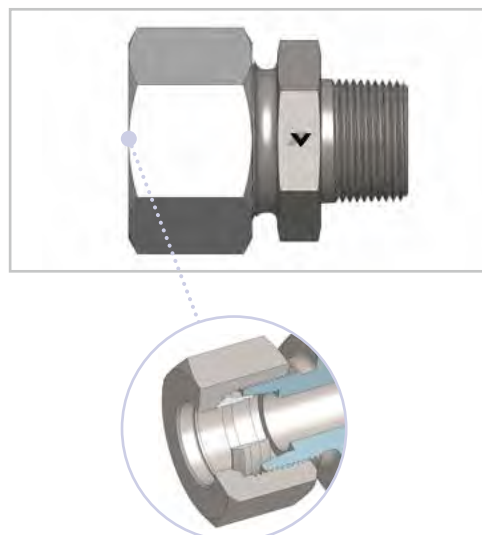
Baureihe Series	D1 mm	T	D2 mm	L1* mm	L2 mm	i mm	S1 mm	S2 mm	Gewicht Weight g	PN bar	Bezeichnung Name	Artikel-Nr. Article No.
S	6	M 12 x 1,5	4	40	13	12	17	17	49	800	GEV 06 SM 12 x 1,5 WD	102246
	6	M 14 x 1,5	4	42	15	12	19	17	54	800	GEV 06 SM 14 x 1,5 WD	102245
	8	M 12 x 1,5	4	40	13	12	17	17	63	800	GEV 08 SM 12 x 1,5 WD	102315
	8	M 14 x 1,5	5	42	15	12	19	19	65	800	GEV 08 SM 14 x 1,5 WD	102318
	8	M 16 x 1,5	5	42	15	12	19	22	38	800	GEV 08 SM 16 x 1,5 WD	102317
	10	M 14 x 1,5	5	43	15	12	19	22	84	800	GEV 10 SM 14 x 1,5 WD	102380
	10	M 16 x 1,5	7	43	15	12	22	22	88	800	GEV 10 SM 16 x 1,5 WD	102385
	10	M 18 x 1,5	7	44	16	12	22	22	90	800	GEV 10 SM 18 x 1,5 WD	102382
	12	M 14 x 1,5	5	45	17	12	22	24	98	630	GEV 12 SM 14 x 1,5 WD	102454
	12	M 16 x 1,5	7	41	13	12	22	24	103	630	GEV 12 SM 16 x 1,5 WD	102456
	12	M 18 x 1,5	8	45	17	12	24	24	109	630	GEV 12 SM 18 x 1,5 WD	102459
	12	M 22 x 1,5	8	48	17,5	14	27	24	140	630	GEV 12 SM 22 x 1,5 WD	102458
	14	M 20 x 1,5	10	51	19	14	27	27	155	630	GEV 14 SM 20 x 1,5 WD	102480
	16	M 18 x 1,5	8	48	18	12	24	30	160	630	GEV 16 SM 18 x 1,5 WD	102553
	16	M 22 x 1,5	12	51	18,5	14	27	30	167	630	GEV 16 SM 22 x 1,5 WD	102554
	20	M 27 x 2	16	58	20,5	16	32	36	263	420	GEV 20 SM 27 x 2 WD	102618
	25	M 33 x 2	20	65	23	18	41	46	479	420	GEV 25 SM 33 x 2 WD	102671
	30	M 42 x 2	25	70	23,5	20	50	50	660	420	GEV 30 SM 42 x 2 WD	102715
38	M 48 x 2	32	79	26	22	55	60	931	420	GEV 38 SM 48 x 2 WD	102757	

*Gerundete Werte / approx. Dimensions

GEV - R - keg.

- Gerade Einschraubverschraubung
- L-Reihe
- Gewinde: Whitworth-Rohrgewinde keg.

- Male Stud Connector
- L Series
- Thread: BSPT



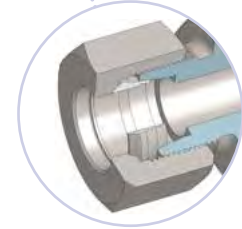
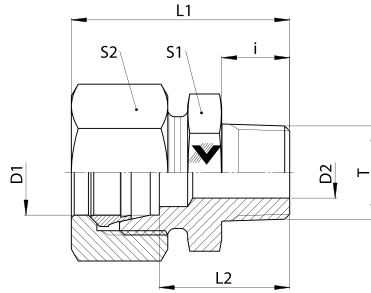
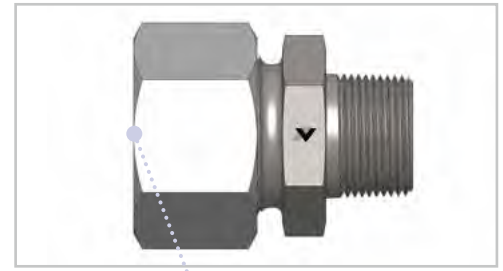
GEV - R - keg.												
Baureihe Series	D1 mm	T	D2 mm	L1* mm	L2 mm	i mm	S1 mm	S2 mm	Gewicht Weight g	PN bar	Bezeichnung Name	Artikel-Nr. Article No.
LL	4	R 1/8 keg.	3	27	18	8	11	10	12	100	GEV 04 LLR 1/8 keg.	102188
	6	R 1/8 keg.	4,5	26	14,5	8	11	12	15	100	GEV 06 LLR 1/8 keg.	102207
	8	R 1/8 keg.	5	28	16,5	8	12	14	18	100	GEV 08 LLR 1/8 keg.	102276
	8	R 1/4 keg.	6	32	21	12	14	14	26	100	GEV 08 LLR 1/4 keg.	102275
	10	R 1/4 keg.	7	34	20,5	12	14	17	28	100	GEV 10 LLR 1/4 keg.	102337
L	6	R 1/8 keg.	4	31	16	8	12	14	23	315	GEV 06 LR 1/8 keg.	102234
	6	R 1/4 keg.	4	35	20	12	14	14	27	315	GEV 06 LR 1/4 keg.	102226
	6	R 3/8 keg.	4	36	21	12	19	14	30	315	GEV 06 LR 3/8 keg.	102232
	6	R 1/2 keg.	4	38	23	14	22	14	32	315	GEV 06 LR 1/2 keg.	102222
	8	R 1/8 keg.	4	33	18	8	14	17	32	315	GEV 08 LR 1/8 keg.	102294
	8	R 1/4 keg.	6	35	20	12	17	17	39	315	GEV 08 LR 1/4 keg.	102302
	8	R 3/8 keg.	6	36	21	12	19	17	42	315	GEV 08 LR 3/8 keg.	102300
	8	R 1/2 keg.	6	38	23	14	22	17	47	315	GEV 08 LR 1/2 keg.	102291
	10	R 1/8 keg.	4	32	17	8	17	19	41	315	GEV 10 LR 1/8 keg.	102358
	10	R 1/4 keg.	7	36	21	12	17	19	45	315	GEV 10 LR 1/4 keg.	102367
	10	R 3/8 keg.	8	36	21	12	19	19	51	315	GEV 10 LR 3/8 keg.	102364
	10	R 1/2 keg.	8	38	23	14	24	19	56	315	GEV 10 LR 1/2 keg.	102355
	12	R 1/8 keg.	4	33	18	8	19	22	79	315	GEV 12 LR 1/8 keg.	102429
	12	R 1/4 keg.	7	37	22	12	19	22	82	315	GEV 12 LR 1/4 keg.	102426
	12	R 3/8 keg.	9	37	22	12	19	22	84	315	GEV 12 LR 3/8 keg.	102435
	12	R 1/2 keg.	10	39	24	14	22	22	89	315	GEV 12 LR 1/2 keg.	102423
	12	R 3/4 keg.	10	43	28	17	27	22	99	315	GEV 12 LR 3/4 keg.	102432
15	R 1/4 keg.	7	38	23	12	24	27	87	315	GEV 15 LR 1/4 keg.	102519	
15	R 3/8 keg.	9	30	23	12	24	27	96	315	GEV 15 LR 3/8 keg.	102531	
15	R 1/2 keg.	12	40	25	14	24	27	106	315	GEV 15 LR 1/2 keg.	102534	
15	R 3/4 keg.	12	44	29	17	27	27	117	315	GEV 15 LR 3/4 keg.	102527	

*Gerundete Werte / approx. Dimensions

GEV - R - keg.

- Gerade Einschraubverschraubung
- L-Reihe
- Gewinde: Whitworth-Rohrgewinde keg.

- Male Stud Connector
- L Series
- Thread: BSPT

**GEV - R - keg.**

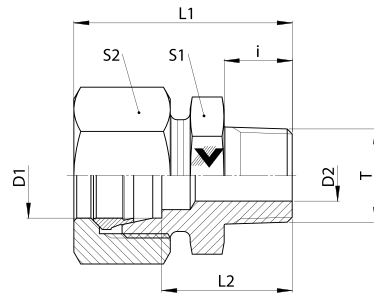
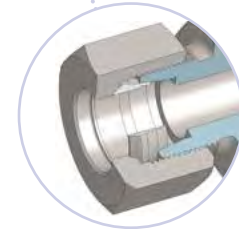
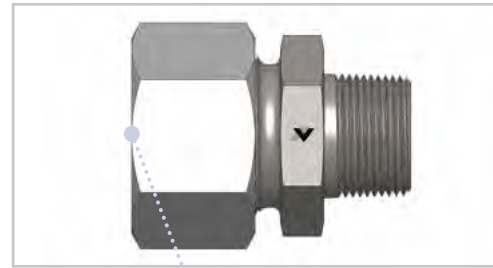
Baureihe Series	D1 mm	T	D2 mm	L1* mm	L2 mm	i mm	S1 mm	S2 mm	Gewicht Weight g	PN bar	Bezeichnung Name	Artikel-Nr. Article No.
L	18	R 3/8 keg.	9	40	23,5	12	27	32	123	315	GEV 18 LR 3/8 keg.	102600
	18	R 1/2 keg.	14	42	25,5	14	27	32	132	315	GEV 18 LR 1/2 keg.	102602
	18	R 3/4 keg.	14	45	28,5	17	27	32	138	315	GEV 18 LR 3/4 keg.	102597
	22	R 3/8 keg.	9	58	25,5	12	32	36	164	160	GEV 22 LR 3/8 keg.	123846
	22	R 1/2 keg.	15	60	25,5	14	32	36	172	160	GEV 22 LR 1/2 keg.	123847
	22	R 3/4 keg.	19	47	30,5	17	32	36	188	160	GEV 22 LR 3/4 keg.	102659
	22	R 1 keg.	19	50	33,5	20	36	36	199	160	GEV 22 LR 1 keg.	123848
	28	R 1/2 keg.	14	48	31,5	14	36	41	218	160	GEV 28 LR 1/2 keg.	123849
	28	R 3/4 keg.	19	51	34,5	17	36	41	228	160	GEV 28 LR 3/4 keg.	123850
	28	R 1 keg.	24	51	34,5	20	41	41	252	160	GEV 28 LR 1 keg.	102704
	28	R 1.1/4 keg.	24	55	38,5	20	46	41	286	160	GEV 28 LR 1.1/4 keg.	123851
	35	R 1 keg.	19	56	34,5	20	46	50	377	160	GEV 35 LR 1 keg.	123852
	35	R 1.1/4 keg.	30	56	34,5	20	46	50	395	160	GEV 35 LR 1.1/4 keg.	102748
	35	R 1.1/2 keg.	30	61	38,5	22	50	50	445	160	GEV 35 LR 1.1/2 keg.	123853
42	R 1.1/4 keg.	30	59	36	20	55	60	549	160	GEV 42 LR 1.1/4 keg.	102778	
42	R 1.1/2 keg.	36	59	36	20	55	60	574	160	GEV 42 LR 1.1/2 keg.	102780	

*Gerundete Werte / approx. Dimensions

GEV - R - keg.

- Gerade Einschraubverschraubung
- S-Reihe
- Gewinde: Whitworth-Rohrgewinde keg.

- Male Stud Connector
- S Series
- Thread: BSPT



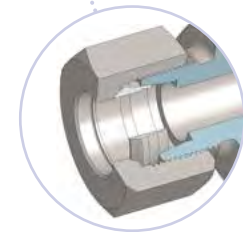
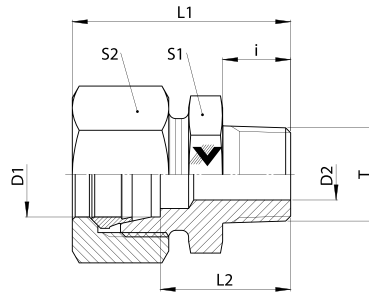
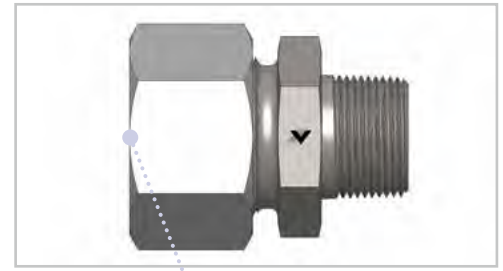
GEV - R - keg.												
Baureihe Series	D1 mm	T	D2 mm	L1* mm	L2 mm	i mm	S1 mm	S2 mm	Gewicht Weight g	PN bar	Bezeichnung Name	Artikel-Nr. Article No.
S	6	R 1/8 keg.	4	33	19	8	17	17	40	400	GEV 06 SR 1/8 keg.	123875
	6	R 1/4 keg.	4	33	20,5	12	17	17	56	400	GEV 06 SR 1/4 keg.	123876
	6	R 3/8 keg.	4	34	21,5	12	17	17	59	400	GEV 06 SR 3/8 keg.	123877
	8	R 1/8 keg.	4	34	20	8	17	19	53	400	GEV 08 SR 1/8 keg.	123878
	8	R 1/4 keg.	5	37	22	12	17	19	58	400	GEV 08 SR 1/4 keg.	201827
	8	R 3/8 keg.	5	34	21,5	12	19	19	69	400	GEV 08 SR 3/8 keg.	123879
	10	R 1/4 keg.	5	41	24,5	12	19	22	79	400	GEV 10 SR 1/4 keg.	102396
	10	R 3/8 keg.	7	41	24,5	12	19	22	83	400	GEV 10 SR 3/8 keg.	102395
	10	R 1/2 keg.	7	39	25,5	14	24	30	107	400	GEV 10 SR 1/2 keg.	123880
	12	R 1/4 keg.	5	40	26	12	22	24	95	400	GEV 12 SR 1/4 keg.	123881
	12	R 3/8 keg.	8	39	23	12	22	24	100	400	GEV 12 SR 3/8 keg.	123882
	12	R 1/2 keg.	8	41	24,5	14	24	24	121	400	GEV 12 SR 1/2 keg.	123883
	14	R 3/8 keg.	8	44	26,5	12	24	27	134	400	GEV 14 SR 3/8 keg.	123884
	14	R 1/2 keg.	10	45	27	14	24	27	146	400	GEV 14 SR 1/2 keg.	123885
	16	R 3/8 keg.	9	46	28	12	24	30	156	160	GEV 16 SR 3/8 keg.	123886
	16	R 1/2 keg.	12	48	29,5	14	24	30	169	160	GEV 16 SR 1/2 keg.	201027
	16	R 3/4 keg.	12	45	30,5	16	27	30	202	160	GEV 16 SR 3/4 keg.	123887
	20	R 1/2 keg.	12	53	31,5	14	32	36	257	160	GEV 20 SR 1/2 keg.	123888
	20	R 3/4 keg.	16	56	35	17	32	36	262	160	GEV 20 SR 3/4 keg.	123889
	25	R 3/4 keg.	16	57	36	16	41	46	455	160	GEV 25 SR 3/4 keg.	123890
25	R 1 keg.	20	59	37	18	41	46	493	160	GEV 25 SR 1 keg.	102681	
30	R 1.1/4 keg.	25	70	43	20	50	50	635	160	GEV 30 SR 1.1/4 keg.	123891	
38	R 1.1/2 keg.	25	81	49	22	55	60	933	160	GEV 38 SR 1.1/2 keg.	123892	

*Gerundete Werte / approx. Dimensions

GEV - M - keg.

- Gerade Einschraubverschraubung
- L-Reihe
- Gewinde: Metrisch-keg.

- Male Stud Connector
- L Series
- Thread: Metric tapered

**GEV - M - keg.**

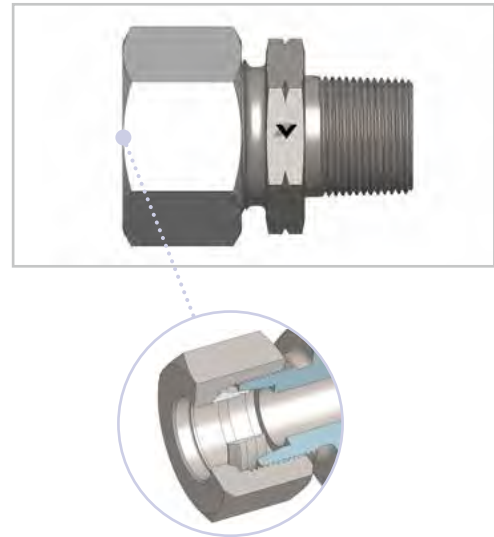
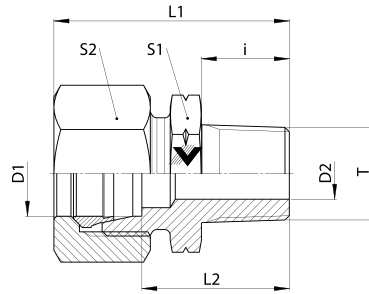
Baureihe Series	D1 mm	T	D2 mm	L1* mm	L2 mm	i mm	S1 mm	S2 mm	Gewicht Weight g	PN bar	Bezeichnung Name	Artikel-Nr. Article No.
LL	4	M 6 x 1 keg.	2	26	16	8	11	10	11	100	GEV 04 LLM 6 x 1 keg.	123897
	4	M 8 x 1 keg.	3	26	16	8	10	10	12	100	GEV 04 LLM 8 x 1 keg.	102186
	4	M 10 x 1 keg.	4,5	26	16	8	11	10	14	100	GEV 04 LLM 10 x 1 keg.	123896
	6	M 6 x 1 keg.	2	26	14,5	8	11	12	15	100	GEV 06 LLM 6 x 1 keg.	102199
	6	M 8 x 1 keg.	3	26	14,5	8	11	12	16	100	GEV 06 LLM 8 x 1 keg.	102201
	6	M 10 x 1 keg.	4	26	14,5	8	11	12	17	315	GEV 06 LLM 10 x 1 keg.	102203
	8	M 6 x 1 keg.	2	28	16,5	8	12	14	18	315	GEV 08 LLM 6 x 1 keg.	123895
	8	M 8 x 1 keg.	3	28	16,5	8	12	14	20	315	GEV 08 LLM 8 x 1 keg.	102269
L	8	M 10 x 1 keg.	6	28	16,5	8	12	14	20	315	GEV 08 LLM 10 x 1 keg.	102271
	6	M 10 x 1 keg.	4	31	16	8	14	14	28	315	GEV 06 LM 10 x 1 keg.	102218
	6	M 12 x 1,5 keg.	4	35	20	12	14	14	34	315	GEV 06 LM 12 x 1,5 keg.	102213
	8	M 10 x 1 keg.	4	31	16	8	14	17	34	315	GEV 08 LM 10 x 1 keg.	102279
	8	M 12 x 1,5 keg.	6	35	20	12	14	17	38	315	GEV 08 LM 12 x 1,5 keg.	102287
	8	M 14 x 1,5 keg.	6	35	20	12	17	17	45	315	GEV 08 LM 14 x 1,5 keg.	102282
	10	M 10 x 1 keg.	4	32	17	8	17	19	44	315	GEV 10 LM 10 x 1 keg.	123898
	10	M 14 x 1,5 keg.	7	36	21	12	17	19	51	315	GEV 10 LM 14 x 1,5 keg.	102351
	10	M 16 x 1,5 keg.	8	36	21	12	17	19	54	315	GEV 10 LM 16 x 1,5 keg.	102344
	12	M 12 x 1,5 keg.	4	40	22	12	19	22	62	315	GEV 12 LM 12 x 1,5 keg.	102408
	12	M 16 x 1,5 keg.	9	37	22	12	19	22	65	315	GEV 12 LM 16 x 1,5 keg.	102419
	12	M 18 x 1,5 keg.	10	37	22	12	19	22	69	315	GEV 12 LM 18 x 1,5 keg.	102414
	15	M 18 x 1,5 keg.	11	38	23	12	24	27	101	315	GEV 15 LM 18 x 1,5 keg.	102511
	18	M 18 x 1,5 keg.	11	40	23,5	12	27	32	119	315	GEV 18 LM 18 x 1,5 keg.	102582
18	M 22 x 1,5 keg.	14	42	25,5	14	27	32	126	315	GEV 18 LM 22 x 1,5 keg.	102584	

*Gerundete Werte / approx. Dimensions

GEV - NPT

- Gerade Einschraubverschraubung
- L-Reihe
- Gewinde: NPT

- Male Stud Connector
- L Series
- Thread: NPT



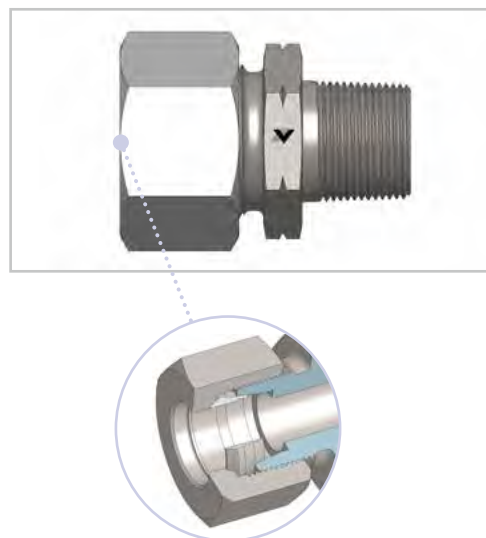
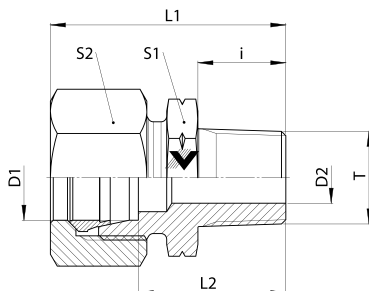
GEV - NPT												
Baureihe Series	D1 mm	T	D2 mm	L1* mm	L2 mm	i mm	S1 mm	S2 mm	Gewicht Weight g	PN bar	Bezeichnung Name	Artikel-Nr. Article No.
LL	4	1/8" NPT	3	28	18	10	11	10	13	100	GEV 04 LL 1/8" NPT	102183
	6	1/8" NPT	4	28	16,5	10	11	10	16	100	GEV 06 LL 1/8" NPT	102196
	8	1/8" NPT	4	30	18,5	10	12	14	19	100	GEV 08 LL 1/8" NPT	102266
L	6	1/8" NPT	4	32	17	10	12	14	24	315	GEV 06 L 1/8" NPT	102191
	6	1/4" NPT	4	38	23	15	17	14	39	315	GEV 06 L 1/4" NPT	102190
	6	3/8" NPT	4	39	24	15	19	14	44	315	GEV 06 L 3/8" NPT	102193
	6	1/2" NPT	4	44	29	20	24	14	65	315	GEV 06 L 1/2" NPT	102189
	8	1/8" NPT	4	33	18	10	14	17	33	315	GEV 08 L 1/8" NPT	102261
	8	1/4" NPT	6	38	23	15	17	17	42	315	GEV 08 L 1/4" NPT	102260
	8	3/8" NPT	6	38	23	15	19	17	51	315	GEV 08 L 3/8" NPT	102263
	8	1/2" NPT	6	44	29	20	24	17	71	315	GEV 08 L 1/2" NPT	102259
	10	1/8" NPT	4,5	34	19	10	17	19	40	315	GEV 10 L 1/8" NPT	102331
	10	1/4" NPT	7	39	24	15	17	19	46	315	GEV 10 L 1/4" NPT	102330
	10	3/8" NPT	8	40	25	15	19	19	61	315	GEV 10 L 3/8" NPT	102333
	10	1/2" NPT	7	45	30	20	22	19	75	315	GEV 10 L 1/2" NPT	102329
	10	3/4" NPT	8	46	31	20	27	19	114	315	GEV 10 L 3/4" NPT	102332
	12	1/8" NPT	4	35	20	10	19	22	81	315	GEV 12 L 1/8" NPT	102400
	12	1/4" NPT	7	40	25	15	19	22	60	315	GEV 12 L 1/4" NPT	102399
	12	3/8" NPT	9	40	25	15	19	22	66	315	GEV 12 L 3/8" NPT	102403
	12	1/2" NPT	10	45	30	20	22	22	91	315	GEV 12 L 1/2" NPT	102398
	12	3/4" NPT	10	46	31	20	27	22	104	315	GEV 12 L 3/4" NPT	102402
15	1/4" NPT	7	41	26	15	24	27	97	315	GEV 15 L 1/4" NPT	102496	
15	3/8" NPT	9	41	26	15	24	27	100	315	GEV 15 L 3/8" NPT	102501	
15	1/2" NPT	11	46	31	20	24	27	110	315	GEV 15 L 1/2" NPT	102494	
15	3/4" NPT	12	48	33	20	27	27	159	315	GEV 15 L 3/4" NPT	102500	

*Gerundete Werte / approx. Dimensions

GEV - NPT

- Gerade Einschraubverschraubung
- L-Reihe
- Gewinde: NPT

- Male Stud Connector
- L Series
- Thread: NPT

**GEV - NPT**

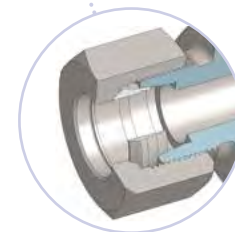
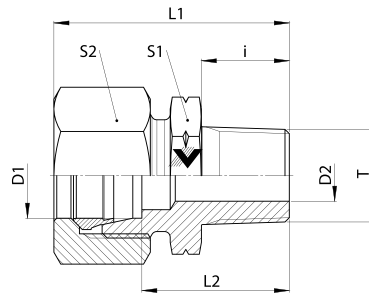
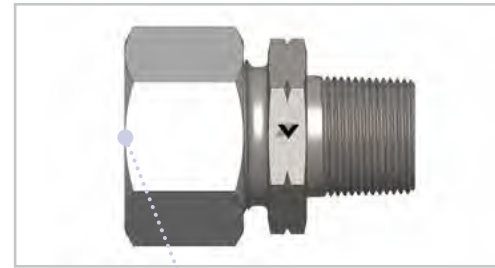
Baureihe Series	D1 mm	T	D2 mm	L1* mm	L2 mm	i mm	S1 mm	S2 mm	Gewicht Weight g	PN bar	Bezeichnung Name	Artikel-Nr. Article No.
L	18	3/8" NPT	9	43	26,5	15	27	32	137	315	GEV 18 L 3/8" NPT	102575
	18	1/2" NPT	14	48	31,5	20	27	32	147	315	GEV 18 L 1/2" NPT	102567
	18	3/4" NPT	15	48	31,5	20	30	32	172	315	GEV 18 L 3/4" NPT	102574
	18	1" NPT	15	53	36,5	25	36	32	227	315	GEV 18 L 1" NPT	102572
	22	3/8" NPT	9	45	28,5	15	32	36	180	160	GEV 22 L 3/8" NPT	102637
	22	1/2" NPT	14	50	33,5	20	32	36	185	160	GEV 22 L 1/2" NPT	102631
	22	3/4" NPT	18	50	33,5	20	32	36	197	160	GEV 22 L 3/4" NPT	102636
	22	1" NPT	19	56	39,5	25	36	36	263	160	GEV 22 L 1" NPT	102634
	22	1.1/4" NPT	19	56	46	25	46	36	289	160	GEV 22 L 1.1/4" NPT	102638
	28	1/2" NPT	12	51	35	20	41	41	278	160	GEV 28 L 1/2" NPT	102683
	28	3/4" NPT	18	51	34,5	20	41	41	255	160	GEV 28 L 3/4" NPT	102688
	28	1" NPT	23	56	39,5	25	41	41	295	160	GEV 28 L 1" NPT	102686
	28	1.1/4" NPT	24	58	41,5	26	46	41	364	160	GEV 28 L 1.1/4" NPT	102689
	35	3/4" NPT	18	56	35	20	46	50	407	160	GEV 35 L 3/4" NPT	102732
	35	1" NPT	23	61	39,5	25	46	50	437	160	GEV 35 L 1" NPT	102730
	35	1.1/4" NPT	30	62	40,5	26	46	50	442	160	GEV 35 L 1.1/4" NPT	102733
	35	1.1/2" NPT	30	67	42,5	26	55	50	457	160	GEV 35 L 1.1/2" NPT	102731
	42	1" NPT	22	65	42	25	55	60	621	160	GEV 42 L 1" NPT	102767
42	1.1/4" NPT	30	65	42	26	55	60	629	160	GEV 42 L 1.1/4" NPT	102769	
42	1.1/2" NPT	36	65	42	26	55	60	639	160	GEV 42 L 1.1/2" NPT	102768	

*Gerundete Werte / approx. Dimensions

GEV - NPT

- Gerade Einschraubverschraubung
- S-Reihe
- Gewinde: NPT

- Male Stud Connector
- S Series
- Thread: NPT



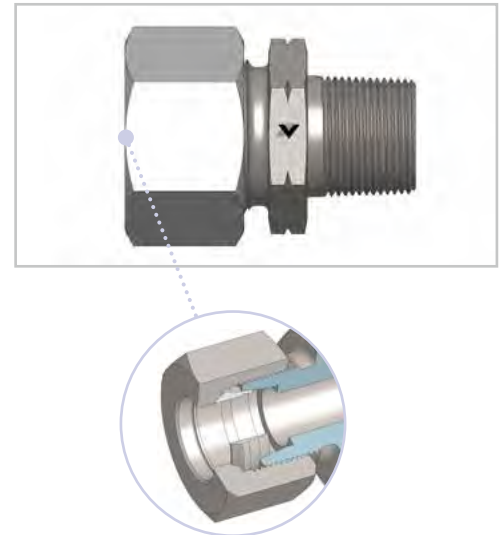
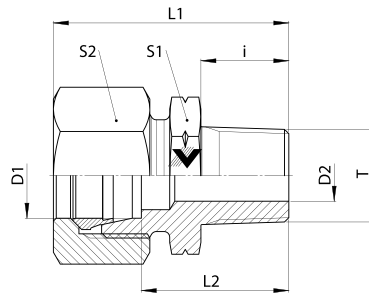
GEV - NPT												
Baureihe Series	D1 mm	T	D2 mm	L1* mm	L2 mm	i mm	S1 mm	S2 mm	Gewicht Weight g	PN bar	Bezeichnung Name	Artikel-Nr. Article No.
S	6	1/8" NPT	4	36	21	10	14	17	40	630	GEV 06 S 1/8" NPT	102238
	6	1/4" NPT	4	43	28	15,5	17	17	56	630	GEV 06 S 1/4" NPT	102237
	6	3/8" NPT	4	43	28	15,5	19	17	59	630	GEV 06 S 3/8" NPT	102240
	6	1/2" NPT	4	48	33	20	22	17	90	630	GEV 06 S 1/2" NPT	102236
	8	1/8" NPT	4	38	23	10	17	19	48	630	GEV 08 S 1/8" NPT	102307
	8	1/4" NPT	5	43	28	15,5	17	19	61	630	GEV 08 S 1/4" NPT	102306
	8	3/8" NPT	5	44	29	15,5	19	19	69	630	GEV 08 S 3/8" NPT	102309
	8	1/2" NPT	5	48	33	20	22	19	96	630	GEV 08 S 1/2" NPT	102305
	10	1/8" NPT	4	39	23	10	19	22	74	630	GEV 10 S 1/8" NPT	102371
	10	1/4" NPT	5	44	27,5	15,5	19	22	79	630	GEV 10 S 1/4" NPT	102370
	10	3/8" NPT	7	44	27,5	15,5	19	22	83	630	GEV 10 S 3/8" NPT	102374
	10	1/2" NPT	7	51	34,5	20	22	22	107	630	GEV 10 S 1/2" NPT	102369
	10	3/4" NPT	7	51	34,5	20,1	27	22	159	630	GEV 10 S 3/4" NPT	102373
	12	1/4" NPT	5	46	29,5	15,5	22	24	95	630	GEV 12 S 1/4" NPT	102443
	12	3/8" NPT	8	46	29,5	15,5	22	24	100	630	GEV 12 S 3/8" NPT	102447
	12	1/2" NPT	8	51	34,5	20	22	24	121	630	GEV 12 S 1/2" NPT	102441
	12	3/4" NPT	8	51	34,5	20	30	24	164	630	GEV 12 S 3/4" NPT	102446
	14	3/8" NPT	8	49	31	15,5	24	27	134	630	GEV 14 S 3/8" NPT	102476
	14	1/2" NPT	10	54	36	20	24	27	146	630	GEV 14 S 1/2" NPT	102471
	14	3/4" NPT	10	54	36	20	27	27	187	630	GEV 14 S 3/4" NPT	102475
16	3/8" NPT	8	49	30,5	15,5	27	30	156	400	GEV 16 S 3/8" NPT	102546	
16	1/2" NPT	12	54	35,5	20	27	30	169	400	GEV 16 S 1/2" NPT	102539	
16	3/4" NPT	12	55	36,5	20	30	30	202	400	GEV 16 S 3/4" NPT	102545	
16	1" NPT	12	61	42,5	25	36	30	250	400	GEV 16 S 1" NPT	102543	

*Gerundete Werte / approx. Dimensions

GEV - NPT

- Gerade Einschraubverschraubung
- S-Reihe
- Gewinde: NPT

- Male Stud Connector
- S Series
- Thread: NPT

**GEV - NPT**

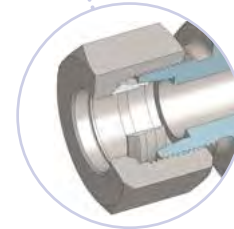
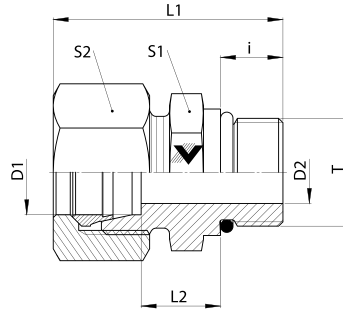
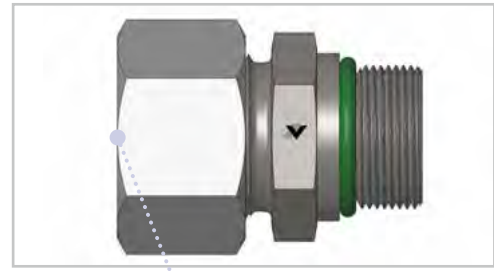
Baureihe Series	D1 mm	T	D2 mm	L1* mm	L2 mm	i mm	S1 mm	S2 mm	Gewicht Weight g	PN bar	Bezeichnung Name	Artikel-Nr. Article No.
S	20	3/8" NPT	9	54	33	15,5	32	36	243	400	GEV 20 S 3/8" NPT	102611
	20	1/2" NPT	12	59	37,5	20	32	36	257	400	GEV 20 S 1/2" NPT	102605
	20	3/4" NPT	16	59	37,5	20	32	36	262	400	GEV 20 S 3/4" NPT	102610
	20	1" NPT	16	64	42,5	25	36	36	356	400	GEV 20 S 1" NPT	102607
	20	1.1/4" NPT	16	65	44	26	46	36	483	400	GEV 20 S 1.1/4" NPT	102612
	25	1/2" NPT	12	64	40	20	41	46	435	400	GEV 25 S 1/2" NPT	102662
	25	3/4" NPT	16	64	40	20	41	46	455	400	GEV 25 S 3/4" NPT	102667
	25	1" NPT	20	69	45	25	41	46	493	400	GEV 25 S 1" NPT	102665
	25	1.1/4" NPT	20	70	46	26	46	46	611	400	GEV 25 S 1.1/4" NPT	102668
	30	3/4" NPT	16	67	40,5	20	46	50	545	400	GEV 30 S 3/4" NPT	102712
	30	1" NPT	20	72	45,5	25	46	50	581	400	GEV 30 S 1" NPT	102710
	30	1.1/4" NPT	25	73	46,5	26	46	50	635	400	GEV 30 S 1.1/4" NPT	102713
	30	1.1/2" NPT	25	73	46,5	26	50	50	678	400	GEV 30 S 1.1/2" NPT	102711
	38	1" NPT	20	79	48	25	55	60	872	315	GEV 38 S 1" NPT	102753
	38	1.1/4" NPT	25	80	49	26	55	60	922	315	GEV 38 S 1.1/4" NPT	102755
38	1.1/2" NPT	32	80	49	26	55	60	982	315	GEV 38 S 1.1/2" NPT	102754	

*Gerundete Werte / approx. Dimensions

GEV - UNF/UN

- Gerade Einschraubverschraubung
- L- und S-Reihe
- Gewinde: UNF/UN
- Abdichtung durch O-Ring-Viton (ISO 11926)

- Male Stud Connector
- L and S Series
- Thread: UNF/UN
- Sealing by Viton O-ring (ISO 11926)



GEV - UNF/UN												
Baureihe Series	D1 mm	T	D2 mm	L1* mm	L2 mm	i mm	S1 mm	S2 mm	Gewicht Weight g	PN bar	Bezeichnung Name	Artikel-Nr. Article No.
L	6	7/16 -20 UNF	4	34	10	9	17	14	32	315	GEV 06 L 7/16 -20 UNF	102194
	8	7/16 -20 UNF	4	34	10	9	17	17	38	315	GEV 08 L 7/16 -20 UNF	102264
	10	7/16 -20 UNF	5	36	11	10	17	19	44	315	GEV 10 L 7/16 -20 UNF	102334
	12	9/16 -18 UNF	7	36	11	10	19	22	61	315	GEV 12 L 9/16 -18 UNF	102405
	12	3/4 -16 UNF	10	39	13	11	24	22	81	315	GEV 12 L 3/4 -16 UNF	102401
	12	7/8 -14 UNF	10	42	14,3	13	27	22	106	315	GEV 12 L 7/8 -14 UNF	102404
	15	3/4 -16 UNF	11	40	14	11	24	27	104	315	GEV 15 L 3/4 -16 UNF	102499
	15	7/8 -14 UNF	12	43	15,3	13	27	27	128	315	GEV 15 L 7/8 -14 UNF	102502
	18	3/4 -16 UNF	11	42	14,5	11	27	32	136	315	GEV 18 L 3/4 -16 UNF	102573
	18	7/8 -14 UNF	14	44	14,8	13	27	32	140	315	GEV 18 L 7/8 -14 UNF	102576
	22	7/8 -14 UNF	14	46	16,8	13	32	36	183	160	GEV 22 L 7/8 -14 UNF	102639
	22	1.1/16 -12 UN	18	48	16,5	15	32	36	192	160	GEV 22 L 1.1/16 -12 UN	102632
	22	1.5/16 -12 UN	19	49	17,5	15	41	36	252	160	GEV 22 L 1.5/16 -12 UN	102633
	28	1.1/16 -12 UN	18	49	17,5	15	41	41	250	160	GEV 28 L 1.1/16 -12 UN	102684
	35	1.5/16 -12 UN	22	54	17,5	15	46	50	379	160	GEV 35 L 1.5/16 -12 UN	102728
35	1.5/8 -12 UN	30	54	17,5	15	50	50	414	160	GEV 35 L 1.5/8 -12 UN	102729	
42	1.5/8 -12 UN	29	57	19	15	55	60	578	160	GEV 42 L 1.5/8 -12 UN	102765	
S	8	7/16 -20 UNF	4	39	15	9	17	19	56	630	GEV 08 S 7/16 -20 UNF	102310
	10	9/16 -18 UNF	6	41	14,5	10	19	22	76	630	GEV 10 S 9/16 -18 UNF	102375
	12	9/16 -18 UNF	5	41	14,5	10	22	24	88	630	GEV 12 S 9/16 -18 UNF	102449
	12	3/4 -16 UNF	8	45	17,5	11	24	24	111	630	GEV 12 S 3/4 -16 UNF	102445
	16	3/4 -16 UNF	11	45	15,5	11	24	30	162	400	GEV 16 S 3/4 -16 UNF	102544
	16	7/8 -14 UNF	12	50	18,8	13	27	30	167	400	GEV 16 S 7/8 -14 UNF	102547
	20	3/4 -16 UNF	10	53	20,5	11	32	36	245	400	GEV 20 S 3/4 -16 UNF	102609
	20	7/8 -14 UNF	12	55	20,8	13	32	36	254	400	GEV 20 S 7/8 -14 UNF	102613
	20	1.1/16 -12 UN	16	57	20,5	15	32	36	276	400	GEV 20 S 1.1/16 -12 UN	102606
	25	1.1/16 -12 UN	16	62	23	15	36	46	421	400	GEV 25 S 1.1/16 -12 UN	102663
	25	1.5/16 -12 UN	20	62	23	15	41	46	473	400	GEV 25 S 1.5/16 -12 UN	102664
	30	1.5/16 -12 UN	20	65	23,5	15	46	50	565	400	GEV 30 S 1.5/16 -12 UN	102708
	30	1.5/8 -12 UN	25	65	23,5	15	50	50	660	400	GEV 30 S 1.5/8 -12 UN	102709
	38	1.5/8 -12 UN	25	72	26	15	55	60	916	315	GEV 38 S 1.5/8 -12 UN	102751

*Gerundete Werte / approx. Dimensions