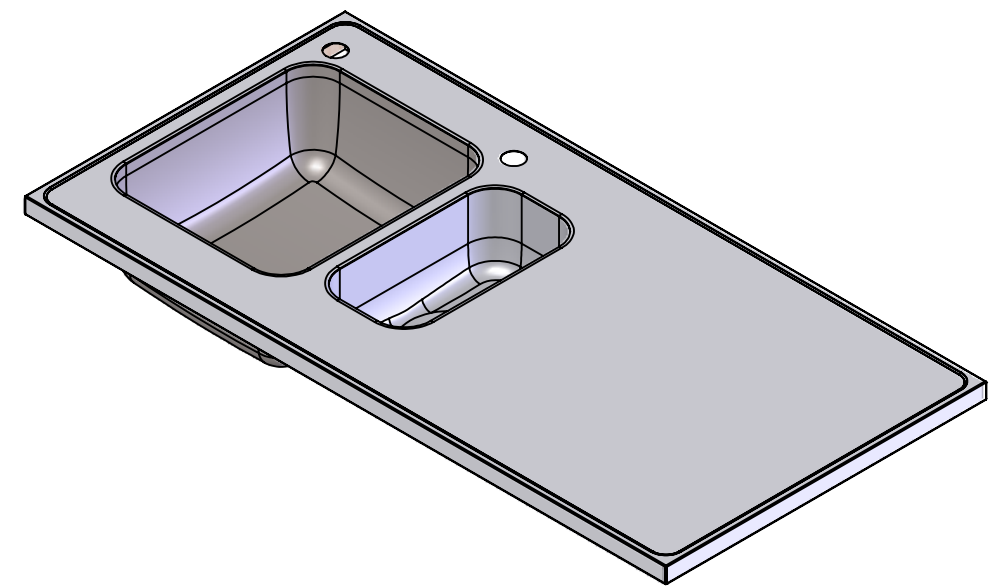
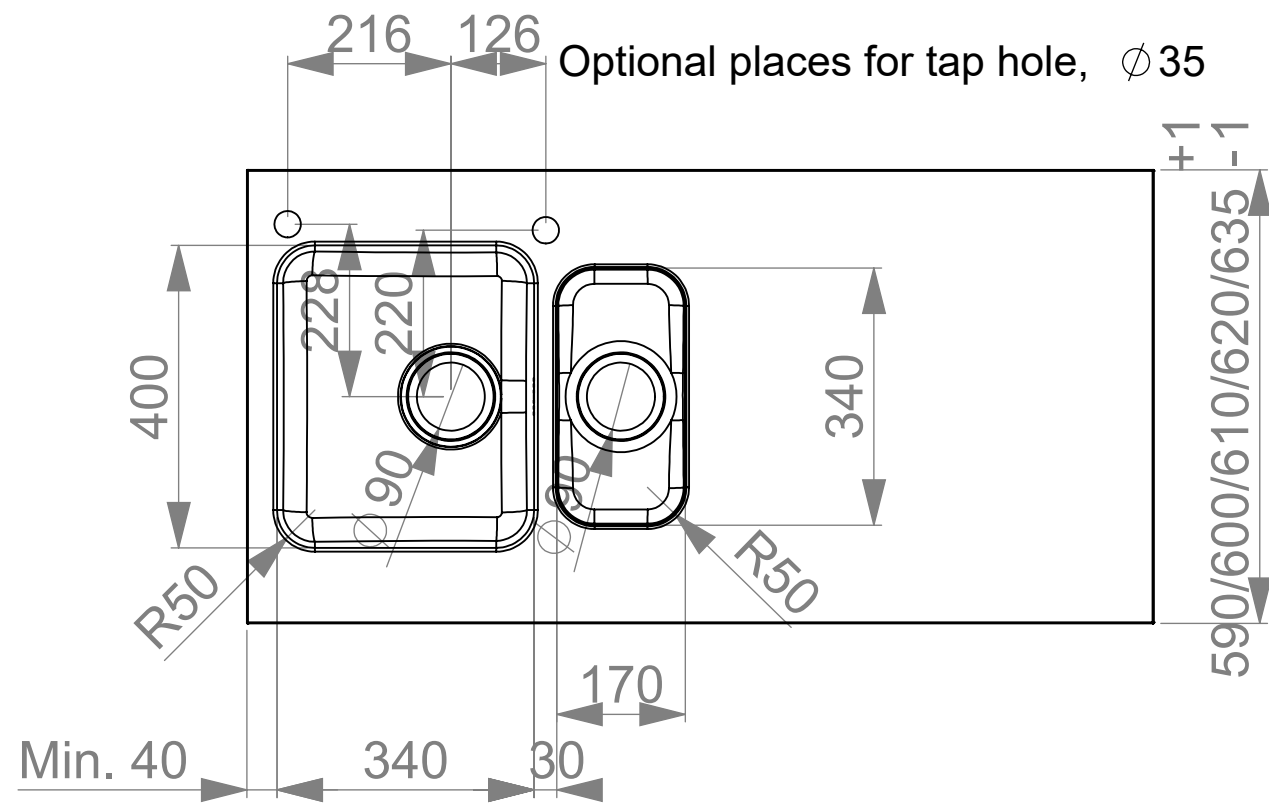
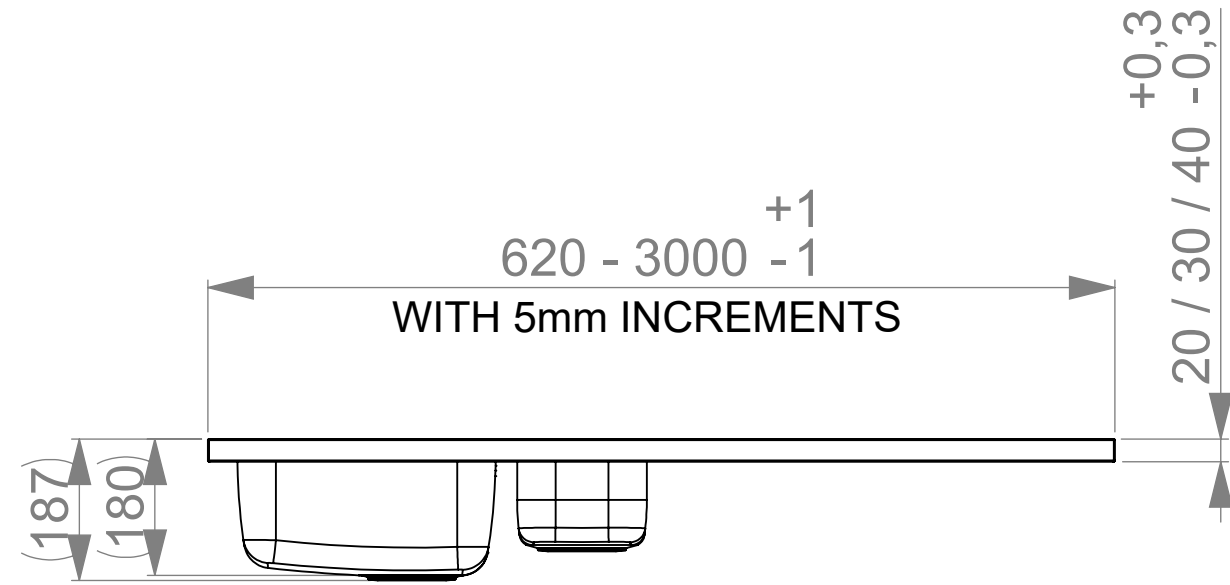


Change description
Under construction upgraded

Date
27.05.2020

Designed by
VS

MAIN DIMENSIONS



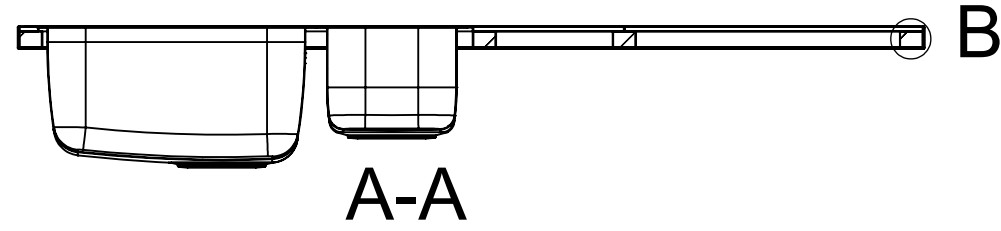
	Mass	12.36 kg	General tolerance	Designed by	VS	Date	12.11.2019		
	Size	A3		Scale	1:10	Item	Approved by	JP	Date
 www.stala.com	Description			F SEVEN		Drawing number		Sheet/sheets	
	Technical Data Sheet			19027		1/5		Rev	
								B	

Change description
Under construction upgraded

Date
27.05.2020
Designed by
VS

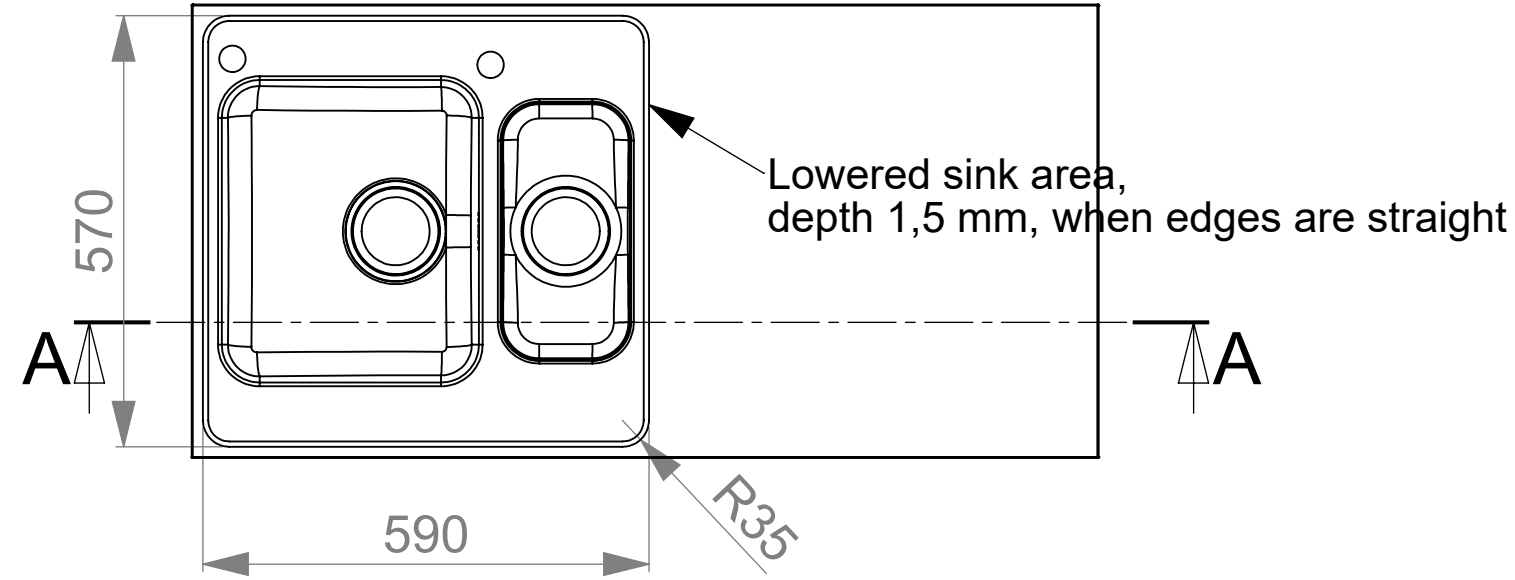
EDGE PROFILES

STRAIGHT EDGE PROFILE

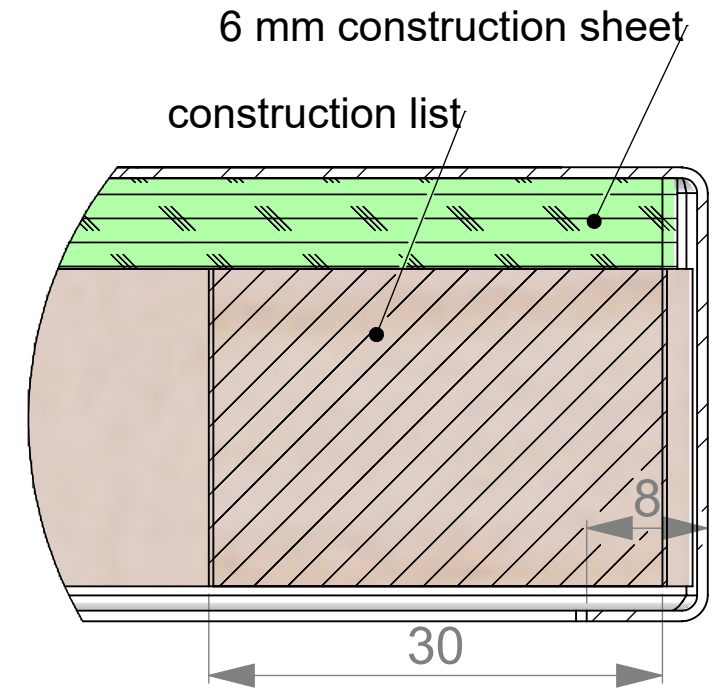


A-A

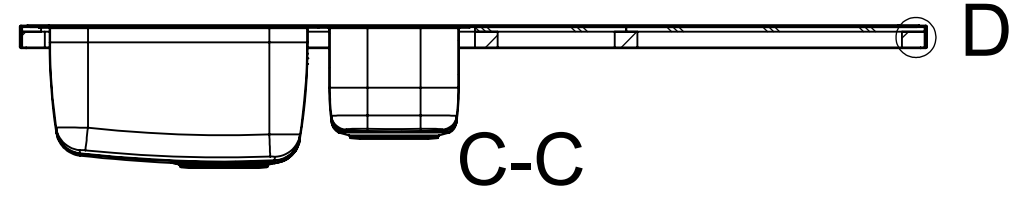
B



B (2 : 1)

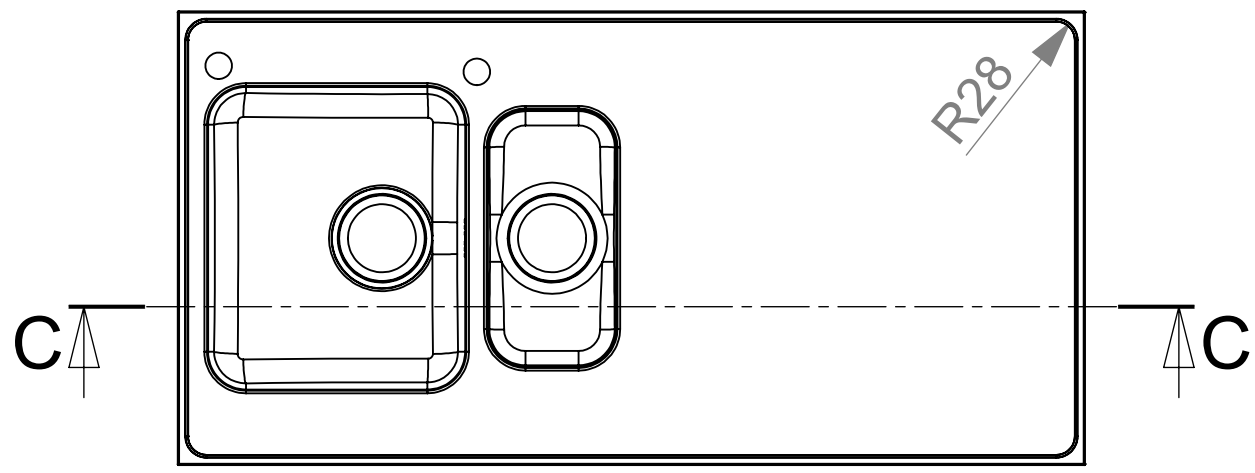


RAISED EDGE PROFILE

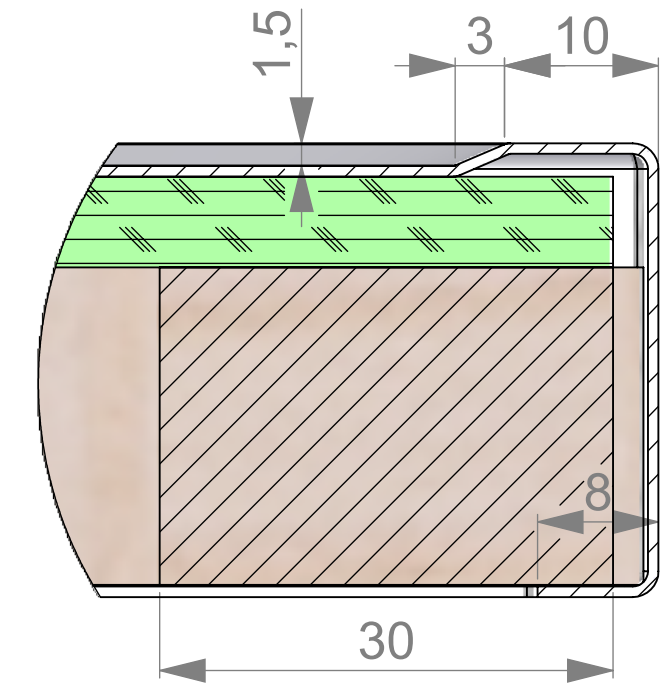


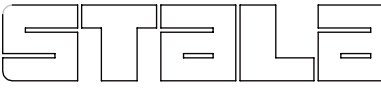
C-C

D



D (2 : 1)



 www.stala.com	Mass 12.36 kg	General tolerance	Designed by VS	Date 12.11.2019
	Size A3		Scale 1:10	Approved by JP
Description F SEVEN		Drawing number 19027	Sheet/sheets 2/5	
Technical Data Sheet			Rev B	

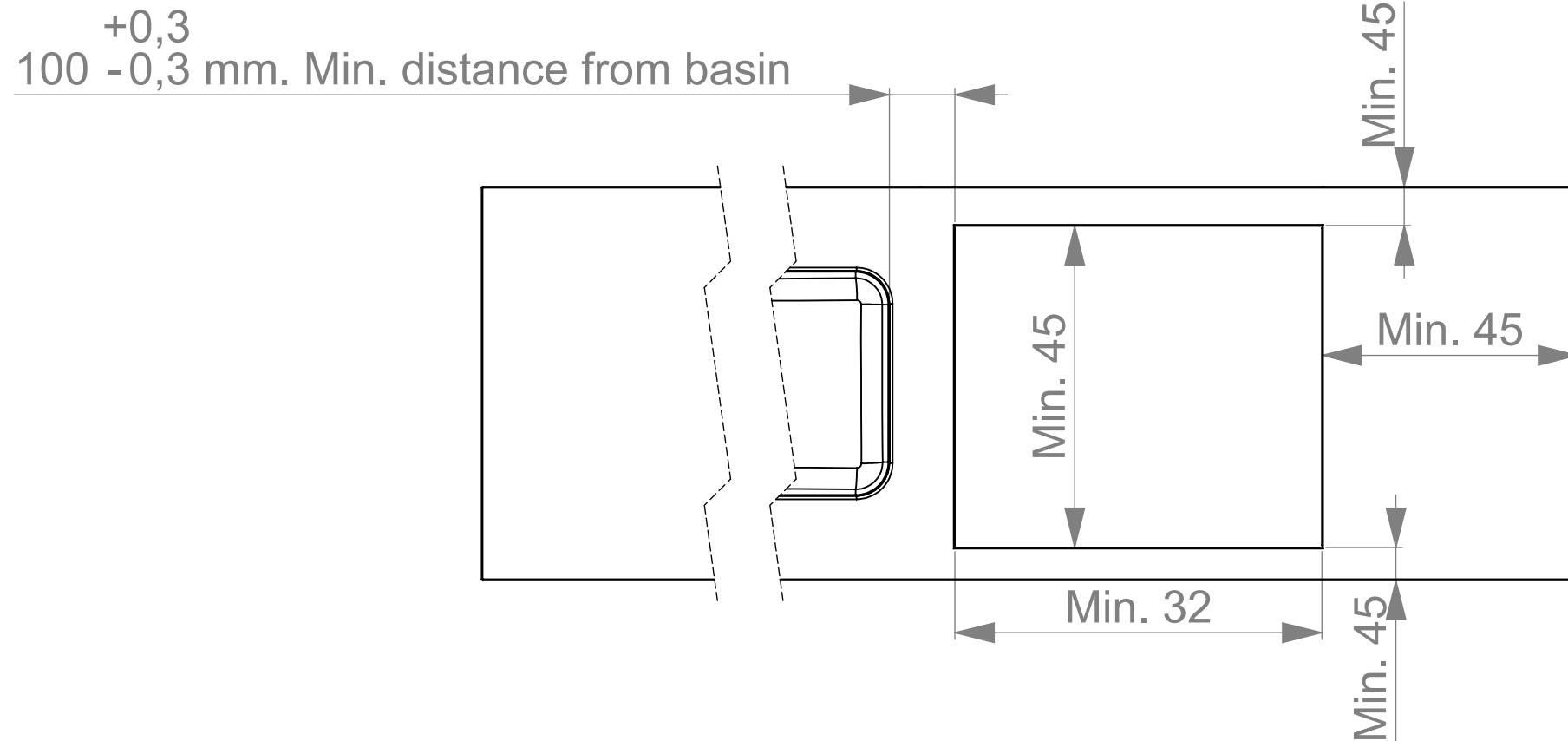
Change description
Under construction upgraded

Date
27.05.2020

Designed by
VS

HOB CUTOUT

PRINCIPLE MEASUREMENTS FOR OPTIONAL HOB CUTOUT

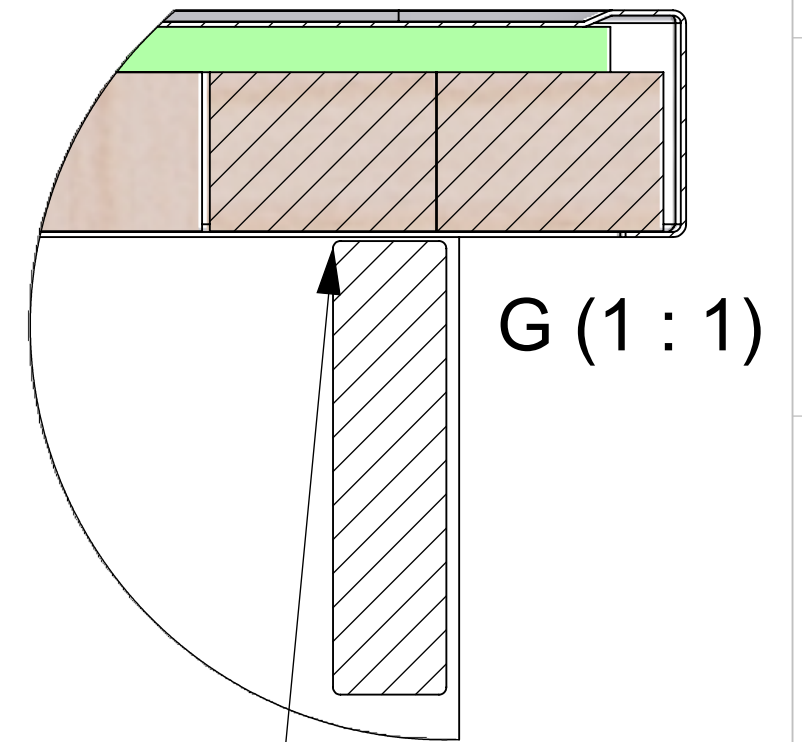
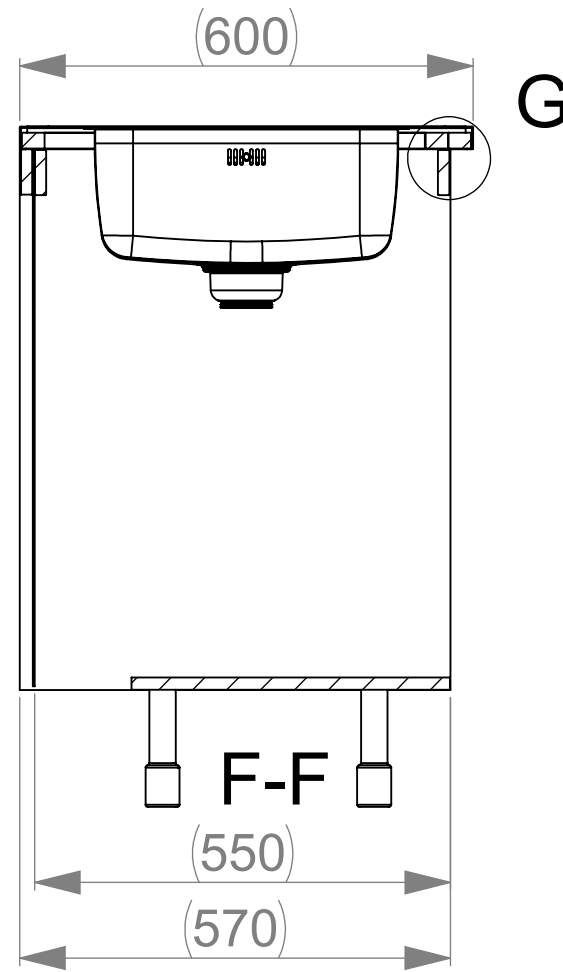
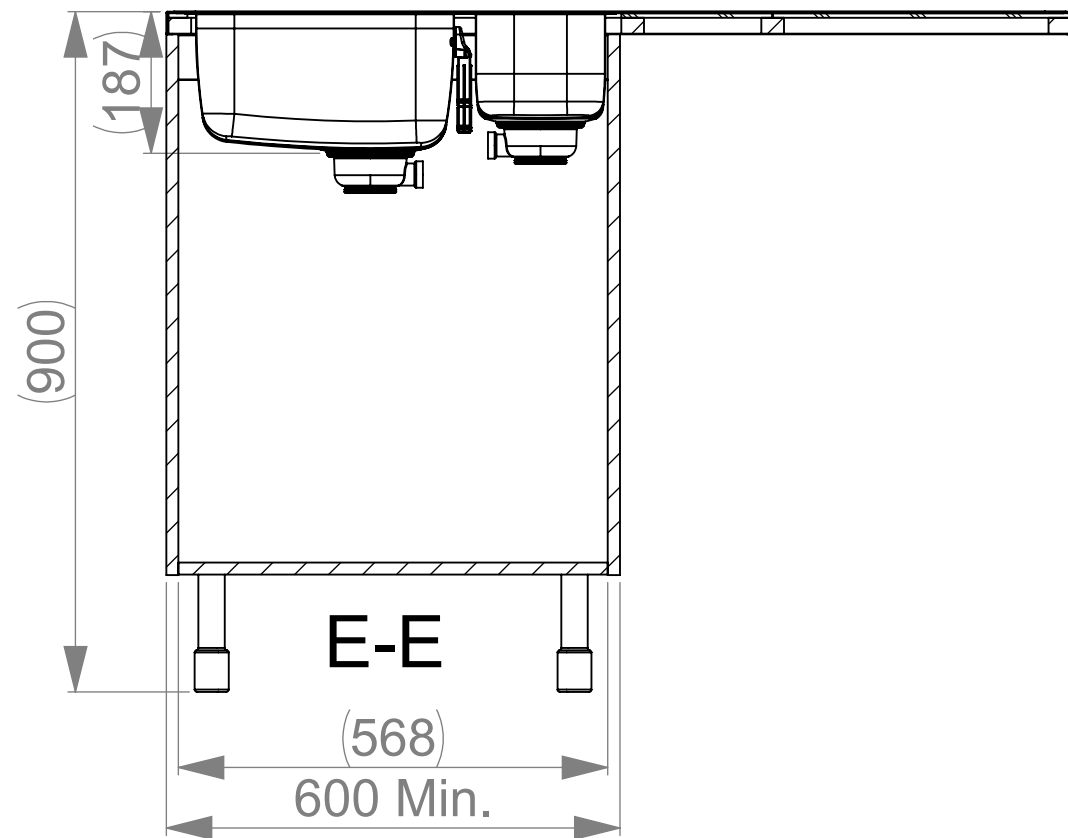


	Mass	9.51 kg	General tolerance	Designed by	Date	
	Size	A3	Scale	1:10	Item	VS
 www.stala.com	Description		F SEVEN	Approved by	Date	
	Technical Data Sheet		19027	JP	30.12.2019	
	Drawing number		19027	Sheet/sheets	3/5	
			Rev	B		

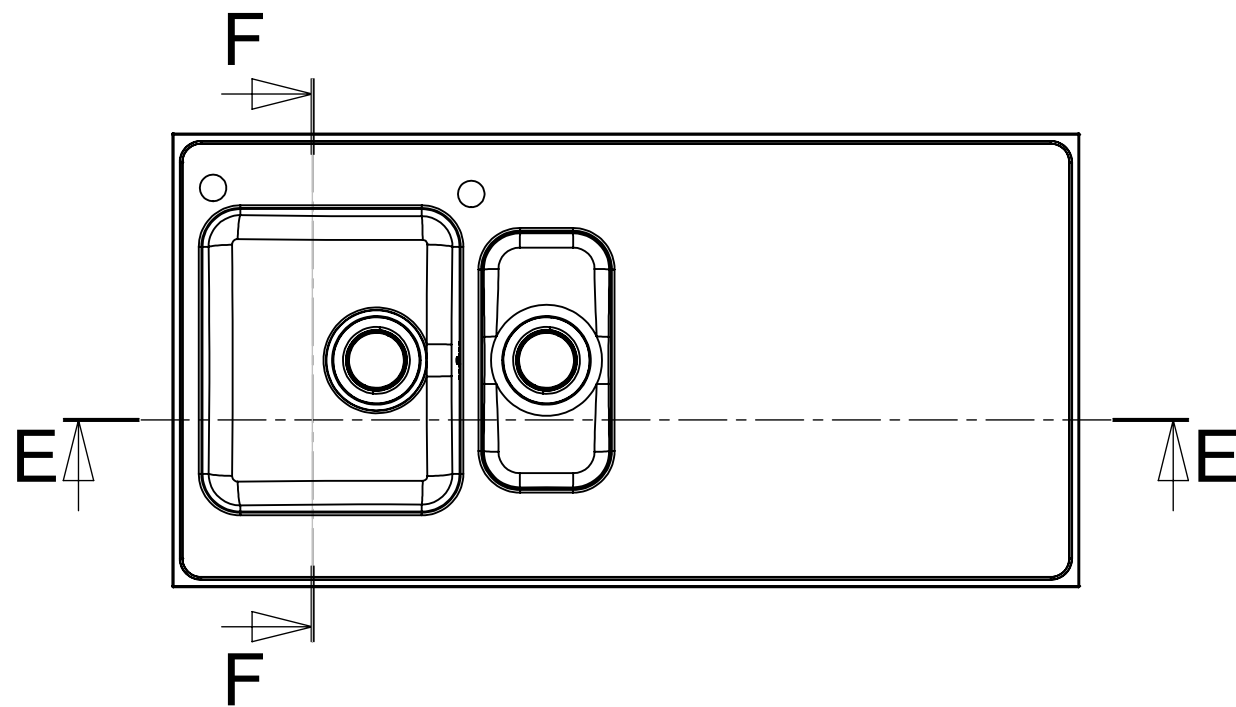
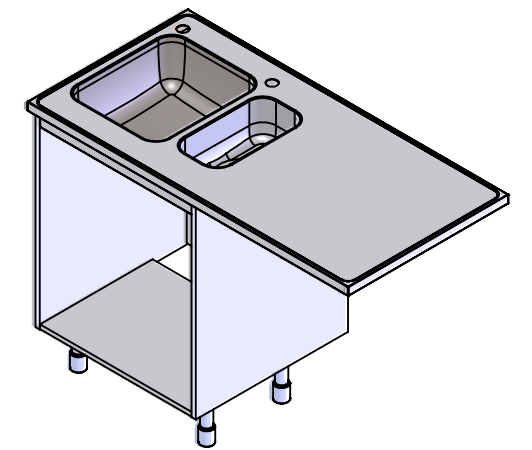
Change description
Under construction upgraded

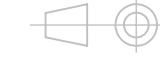
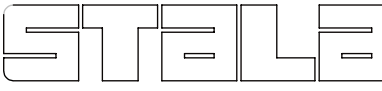
Date
27.05.2020
Designed by
VS

SPACE REQUIREMENTS



Installation to cabin with appropriate screws



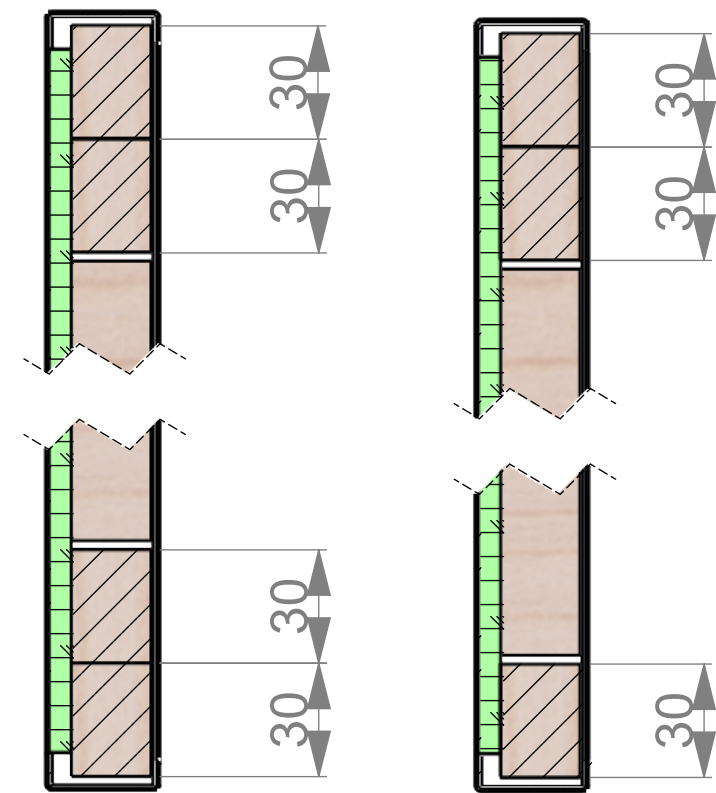
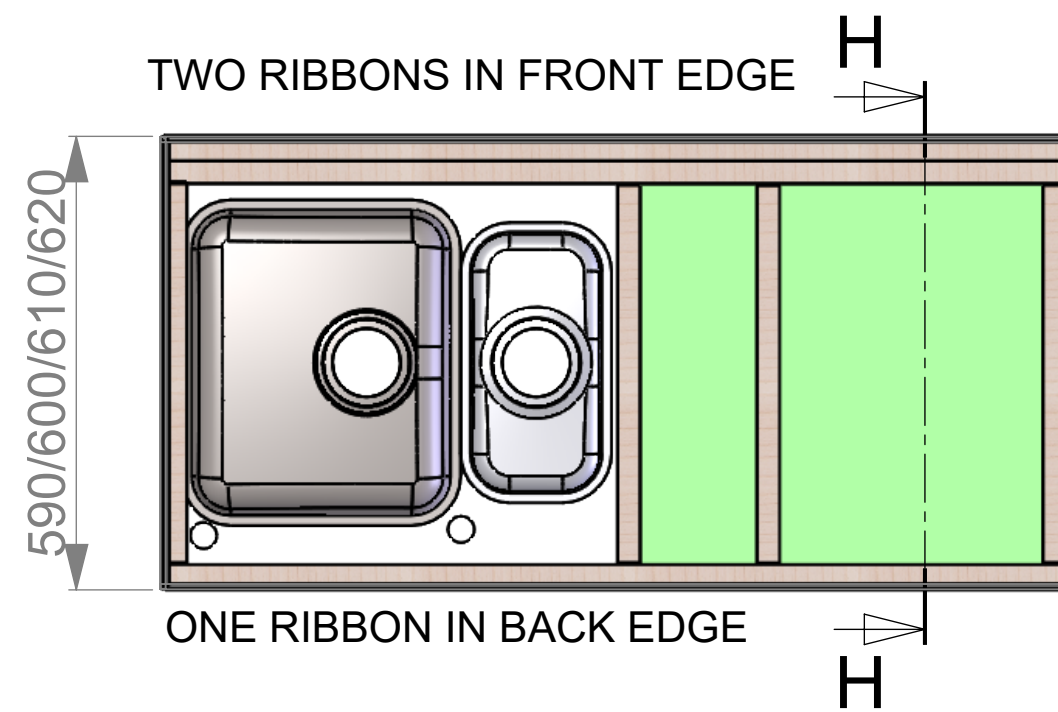
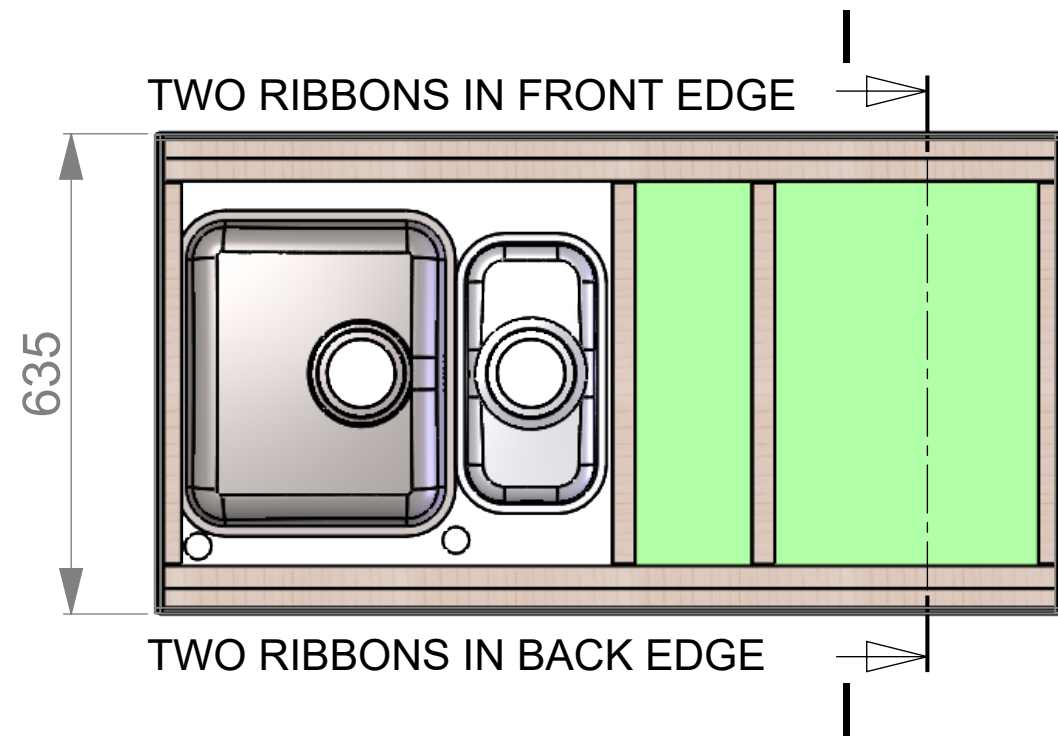
	Mass 28.71 kg	General tolerance	Designed by VS	Date 12.11.2019
	Size A3		Scale 1:10	Approved by JP
 www.stala.com	Description F SEVEN Technical Data Sheet		Drawing number 19027	Sheet/sheets 4/5
				Rev B

Change description
Under construction upgraded

Date
27.05.2020
Designed by
VS

UNDER CONSTRUCTION

PRINCIPLE OF UNDER CONSTRUCTION: RIBBONS IN FRONT EDGE AND BACK EDGE



I-I (1 : 2) H-H (1 : 2)

	Mass	8.10 kg	General tolerance	Designed by	VS	Date	12.11.2019	
	Size	A3		Scale	1:10	Item	Approved by	JP
 www.stala.com	Description			Drawing number		Sheet/sheets		
	F SEVEN			19027		5/5		
	Technical Data Sheet					Rev		B