



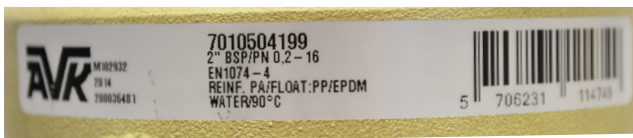
COMBINATION AIR VALVE

SERIES 701/40

1. GENERAL INSTRUCTIONS

1. Routine service is an integral part of the standard procedure for maintenance of a water supply system.
2. Recommended routine maintenance once or twice a year, according to the quality and type of the fluids in the system.

2. MARKING



Label:

- Manufacturer
- Internal order number
- Year of production
- Unique serial number
- Item number
- Product specification
- EAN number in clear text and as bar code

3. INSTALLATION

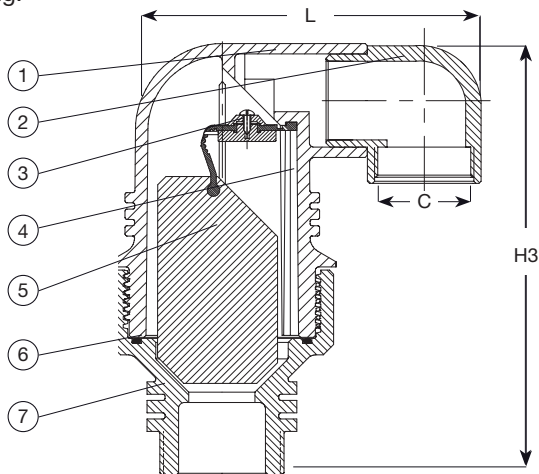
1. Install the combination air valve vertically on a riser on the crown of the pipeline.
2. Install an inlet isolating valve underneath the air valve.

4. MAINTENANCE

1. Close the service valve under the base before servicing.
2. Be aware that the air valve is under pressure. Slowly turn the valve body (1) counterclockwise to release pressure, then unscrew and remove the body from the base (7).
3. Remove the clamping key (4) from inside the valve body (1) and carefully pull out the float (5) with the attached rolling seal (3).
4. Check the state of the rolling seal (3) by washing it with water and examining it.
Note: Replace the rolling seal (3) in case it is torn.
5. Wash the body (1) and the float (5) with clean water and examine for damage.
Note: Replace the float (5) if it is damaged.
6. Clean the drainage elbow (2) to remove insects and debris.
7. Return the float (5) with the attached rolling seal (3) to its original position in the valve body (1) and lock them into place with the clamping key (4).
8. Return the valve body (1) to the base (7) and close by turning it clockwise.
Note: First make sure that the O-ring (6) is seated properly in the base valve (7).
9. Open the service valve after servicing.

5. PARTS LIST AND DRAWING

1. Body
2. Drainage elbow
3. Rolling seal assembly
4. Clamping key
5. Float
6. O-ring
7. Base



COMBINATION AIR VALVE

SERIES 701/40

6. TROUBLESHOOTING GUIDE

Problem	Reason	Solution
Drainage elbow is broken.	Valve has been hit or mishandled.	Easy to replace: gently pry off the outlet with screwdriver. Insert the replacement part using a plastic hammer. Note: The part is not mandatory for the function of the valve.
Outlet thread size needed in order to attach a vent/drain pipe.	End user needs to connect a vent/drain pipe from the drainage elbow.	DN 25 has 3/8" female thread. DN 50 has 1/4" female thread. End of pipe must be left open in order for valve to function.
Valve leaks water.	This is normal at start up and during pressure test. Could be debris in the sealing mechanism.	Perform MAINTENANCE.
Valve is continuously leaking.	Line pressure issues (inadequate pressure) or debris lodged in seal or o-rings.	Check line pressure. It needs at least 0.2 bar to seal tight. If the valve is on a booster pump it can be an installation issue if the valve is level with the water level in a tank. Then there is no pressure to seal. Perform MAINTENANCE
Valve leaks from threads.	Plastic threads stripped.	Check for cross-threading. Replace bottom of valve.