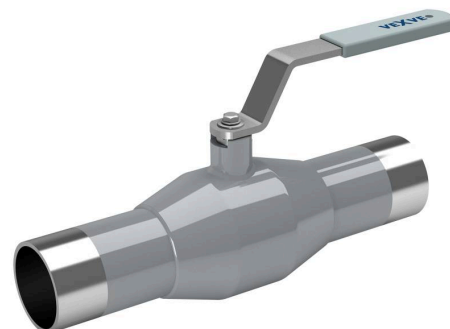


Stainless steel ball valves, reduced bore

230 series, welding / welding, EN (DIN), DN 10-250, reduced bore

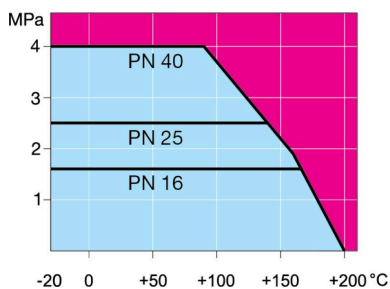
Body	DN 10-250 Stainless steel, X2CrNiMo17-12-2 (1.4404)
Ball	DN 10-250 Stainless steel, X2CrNiMo17-12-2 (1.4404)
Ball seal	DN 10-250 PTFE+C
Stem	DN 10-250 Stainless steel, X2CrNiMo17-12-2 (1.4404)
Stem seal	DN 10-250 FPM/NBR
Operation	DN 10-50 with stainless steel handle DN 65-250 With zinc-plated steel handle



Operation conditions

-20 °C – +200 °C
Below -20 °C contact manufacturer
Lowest allowed ambient temperature -40 °C

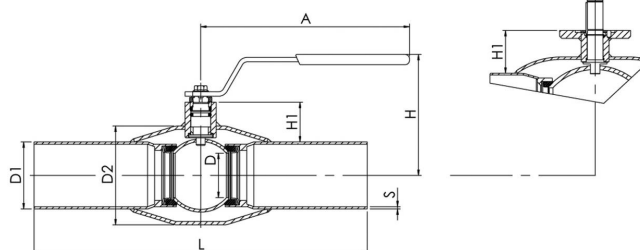
Leakage rate A (EN 12266-1)



Not for steam

DN 10-150

DN 200-250



DN	PN	Product no.	A	D	D1	D2	H	H1	L	S	kg
10	40	230010	145	10	17.2	33.7	98	23	230	2,0	0.5
15	40	230015	145	10	21.3	33.7	98	21	230	2,0	0.5
20	40	230020	145	15	26.9	42.4	103	22	230	2,0	0.7
25	40	230025	145	20	33.7	48.3	112	28	230	2,0	0.8
32	40	230032	145	25	42.4	60.3	116	27	260	2,0	1.2
40	40	230040	188	32	48.3	70.0	111	34	260	2,5	1.8
50	40	230050	188	40	60.3	88.9	118	34	300	3,0	2.2
65	25	230065	278	50	76.1	114.3	150	51	300	3,0	3.8
80	25	230080	278	65	88.9	131.0	160	58	300	3,0	4.7
100	25	230100	278	80	114.3	156.0	175	54	325	3,0	6.7
125	25	230125	400	100	139.7	177.8	220	68	325	4	13.0
150	25	230150	600	125	168.3	219.1	240	74	350	4	18.0
200	25	230200	870	150	219.1	273.0	280	92	400	4	32.0
250	25	230250	1200	200	273.0	355.6	340	108	530	4	63.0