



Vane Type Waterflow Alarm Switch with Electronic Retard and Auto Test Feature Model RDVSR-AT (EU)

Product Description

The model RDVSR-AT (EU) is an electronic vane type waterflow switch for use on wet sprinkler systems. It is UL Listed for use on steel pipe schedules 5 through 40 sizes 50mm to 150mm (2"-6"), UL Listed and FM Approved for use on steel pipe; schedule 10 through 40, sizes 50mm thru 200mm (2"-8") and BS1387 light through heavy. See ordering Information chart.

The RDVSR-AT (EU) may also be used as a sectional waterflow detector on large systems. The RDVSR-AT (EU) has two sets of alarm contacts and an adjustable instantly recycling electronic retard. The alarm contacts are actuated when a flow of 38 LPM (10 GPM) or more occurs downstream of the device. The flow condition must exist for a period of time necessary to overcome the selected retard time. The RDVSR-AT (EU) may be remotely tested without flowing water by using the optional Auto Test Control model ATC-1 or ATC-4 or the use of addressable relays and monitor modules as part of a listed addressable fire alarm panel.

When the auto test feature is initiated, the RDVSR-AT (EU) performs a self test to ensure compliance with UL requirements regarding waterflow detection and retard time. In addition, the auto test feature ensures the integrity of the paddle/trip stem assembly. A successful completion of the auto test will activate both sets of normally open contacts on the flow switch. If the auto test detects a problem with the trip stem/paddle assembly or if there is no water in the pipe, neither normally open contact will operate and the flow switch will indicate a trouble condition at the test switch and transmit a trouble signal to the fire alarm panel.

Enclosure

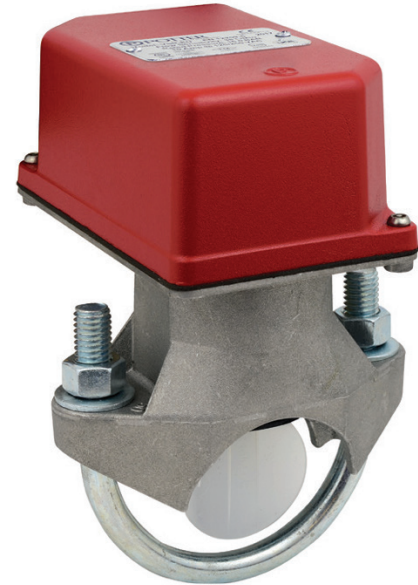
The RDVSR-AT (EU) switches and retard device are enclosed in a general purpose, die-cast base and a weather/UV/flame resistant high impact composite plastic cover. The cover is held in place with two tamper resistant screws which require a special key for removal.

Warning

- Installation must be performed by qualified personnel and in accordance with all national and local codes and ordinances.
- Shock hazard. Disconnect power source before servicing. Serious injury or death could result.
- Risk of explosion. Not for use in hazardous locations. Serious injury or death could result.

Caution

Waterflow switches that are monitoring wet pipe sprinkler systems shall not be used as the sole initiating device to discharge AFFF, deluge, or chemical suppression systems. Waterflow switches used for this application may result in unintended discharges caused by surges, trapped air, or short retard times.



Technical Details

Working Pressure	UL & FM - 31 bar (450 psi) LPCB - 16 bar (230 psi)
Flow Required for Alarm	38 LPM (10 GPM) - UL
Maximum Surge	5.5 m/s (18 FPS)
Contact Ratings	2.5 AMP @ 125/250 VAC & 30 VDC
Conduit Entrances	Two knockouts provided for 1/2" conduit.
Power Requirements	24 VDC from listed or approved source with battery backup
Typical Current Draw	Standby 20 mA Alarm 65 mA Autotest 120 mA
Temperature Range	4.5°C to 49°C (40°F to 120°F)
Environmental Specifications	NEMA 4/IP54 Rated Enclosure suitable for indoor or outdoor use with factory installed gasket when used with appropriate conduit fitting. Non-corrosive sleeve factory installed in saddle.
Service Use	Automatic Sprinkler NFPA -13 One or two family dwelling NFPA -13D Residential occupancy up to four stories NFPA-13R National Fire Alarm Code NFPA -72

Manufactured by Potter who hold FM Approval, UL Listing, LPCB and CE Certificates

DS: 2.17
Issue B
02/11/2023
© 2023 Rapidrop

Rapidrop Global Ltd
T: +44 (0) 1733 847 510 F: +44 (0) 1733 553 958
e: rapidrop@rapidrop.com
w: www.rapidrop.com

Vane Type Waterflow Alarm Switch with Electronic Retard and Auto Test Feature

Model RDVSR-AT (EU)

Installation

These devices may be mounted on horizontal or vertical pipe. On horizontal pipe they shall be installed on the top side of the pipe where they will be accessible. The device should not be installed within 15 cm (6") of a fitting which changes the direction of the waterflow or within 60 cm (24") of a valve or drain.

NOTE: Do not leave cover off for an extended period of time.

Drain the system and drill a hole in the pipe using a hole saw in a slow speed drill (see Fig. 1). Clean the inside pipe of all growth or other material for a distance equal to the pipe diameter on either side of the hole. Roll the vane so that it may be inserted into the hole; do not bend or crease it. Insert the vane so that the arrow on the saddle points in the direction of the waterflow. Take care not to damage the non-corrosive bushing in the saddle. The bushing should fit inside the hole in the pipe. Install the saddle strap and tighten nuts alternately to required torque (see the chart in Fig.1). The vane must not rub the inside of the pipe or bind in any way.

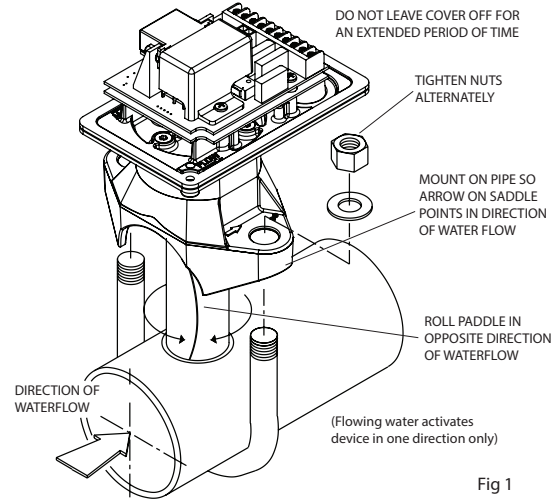


Fig 1

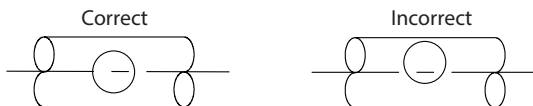
Warning

Do not trim the paddle. Failure to follow these instructions may prevent the device from operating and will void the warranty.

Do not obstruct or otherwise prevent the trip stem of the flow switch from moving when water flows as this could damage the flow switch and prevent an alarm. If an alarm is not desired, a qualified technician should disable the alarm system.

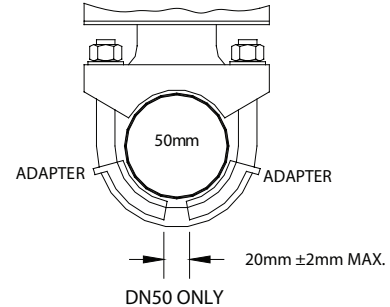
Caution

Hole must be drilled perpendicular to the pipe and vertically centred. Refer to the Compatible Pipe/Installation Requirements chart for size.



Retard Adjustment

The delay can be adjusted by rotating the retard adjustment knob from 0 to the max setting (20-30 seconds). The time delay should be set at the minimum required to prevent false alarms.



USE (2) 5180162 ADAPTERS AS SHOWN ABOVE

Compatible Pipe / Installation Requirements

Nominal Pipe Size		Nominal Pipe O.D		Pipe Wall Thickness								Hole Size		U-Bolt Nuts Torque	
				Schedule 10 (UL)		Schedule 40 (UL)		BS-1387 (LPC)		DN (VdS)					
mm	inch	mm	inch	mm	inch	mm	inch	mm	inch	mm	inch	mm	inch	NM	ft=lb
DN 50	2"	60.3	2.375	2.77	0.109	3.91	0.154	3.6	0.142	2.3	0.091	33.0 ± 2	1.25 + 0.125 / -0.062	27	20
DN 65	2 1/2"	73.0	2.875	3.05	0.120	5.16	0.203	-	-	-	-	33.0 ± 2	1.25 + 0.125 / -0.062	27	20
DN 65	2 1/2"	76.1	3.000	-	-	-	-	3.6	0.142	2.6	0.102	33.0 ± 2	1.25 + 0.125 / -0.062	27	20
DN 80	3"	88.9	3.500	3.05	0.120	5.49	0.216	4.0	0.157	2.9	0.157	50.8 ± 2	2.00 ± 0.125	27	20
DN 100	4"	114.3	4.500	3.05	0.120	6.02	0.237	4.5	0.177	3.2	0.125	50.8 ± 2	2.00 ± 0.125	27	20
DN 125	5"	139.7	5.500	-	-	-	-	5.0	0.197	3.6	0.142	50.8 ± 2	2.00 ± 0.125	27	20
DN 125	5"	141.3	5.563	3.40	0.134	6.55	0.258	-	-	-	-	50.8 ± 2	2.00 ± 0.125	27	20
DN 150	6"	168.3	6.625	3.40	0.134	7.11	0.280	5.0	0.197	4.0	0.157	50.8 ± 2	2.00 ± 0.125	27	20
DN 200	8"	219.1	8.625	3.76	0.148	8.18	0.322	6.3	0.248	4.5	0.177	50.8 ± 2	2.00 ± 0.125	27	20

Manufactured by Potter who hold FM Approval, UL Listing, LPCB and CE Certificates



Vane Type Waterflow Alarm Switch with Electronic Retard and Auto Test Feature Model RDVSR-AT (EU)

To remove knockouts: Place screwdriver at inside edge of knockouts, not in the center.

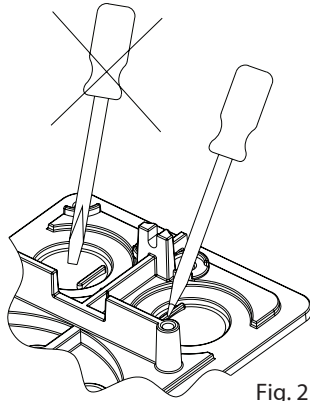


Fig. 2

Note: Do not drill into the base as this creates metal shavings which can create electrical hazards and damage the device. Drilling voids the warranty.

Testing

The frequency of inspection and testing for the Model RDVSR-AT (EU) and its associated protective monitoring system shall be in accordance with applicable NFPA Codes and Standards and/or the authority having jurisdiction (manufacturer recommends quarterly or more frequently).

An inspector's test valve shall be provided for commissioning and test purposes when required by the AHJ. If there are no provisions for testing the operation of the flow detection device on the system, application of the RDVSR-AT (EU) is not recommended or advisable.

A minimum flow of 38 LPM (10 GPM) is required to activate this device.

Switch terminal connections clamping plate terminal

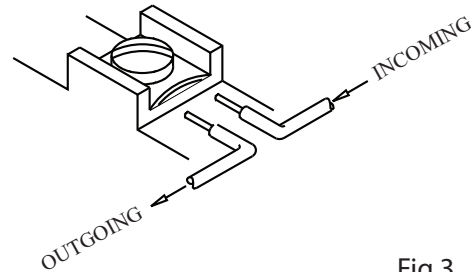


Fig 3

Warning

An uninsulated section of a single conductor should not be looped around the terminal and serve as two separate connections. The wire must be severed, thereby providing supervision of the connection in the event that the wire become dislodged from under the terminal. Failure to sever the wire may render the device inoperable risking severe property damage and loss of life.

Do not strip wire beyond 3/8" of length or expose an uninsulated conductor beyond the edge of the terminal block. When using stranded wire, capture all strands under the clamping plate.

Removal of Waterflow Switch

- To prevent accidental water damage, all control valves should be shut tight and the system completely drained before waterflow detectors are removed or replaced.
- Turn off electrical power to the detector, then disconnect wiring.
- Loosen nuts and remove U-bolts.
- Gently lift the saddle far enough to get your fingers under it. With your fingers, roll the vane so it will fit through the hole while continuing to lift the waterflow detector saddle.
- Lift detector clear of pipe.

Fig 4

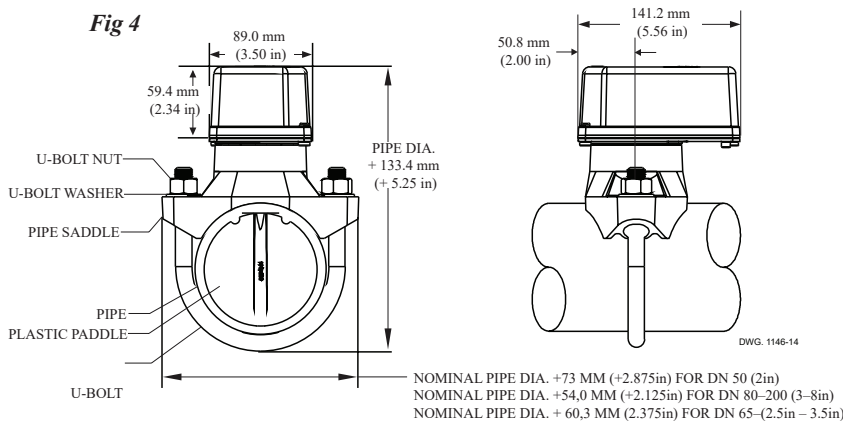
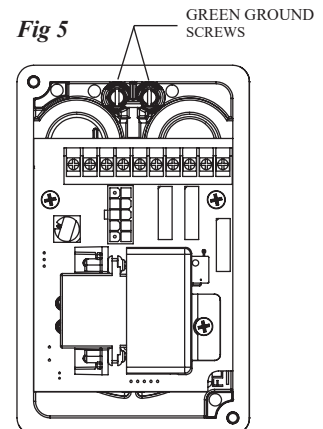


Fig 5



Manufactured by Potter who hold FM Approval, UL Listing, LPCB and CE Certificates

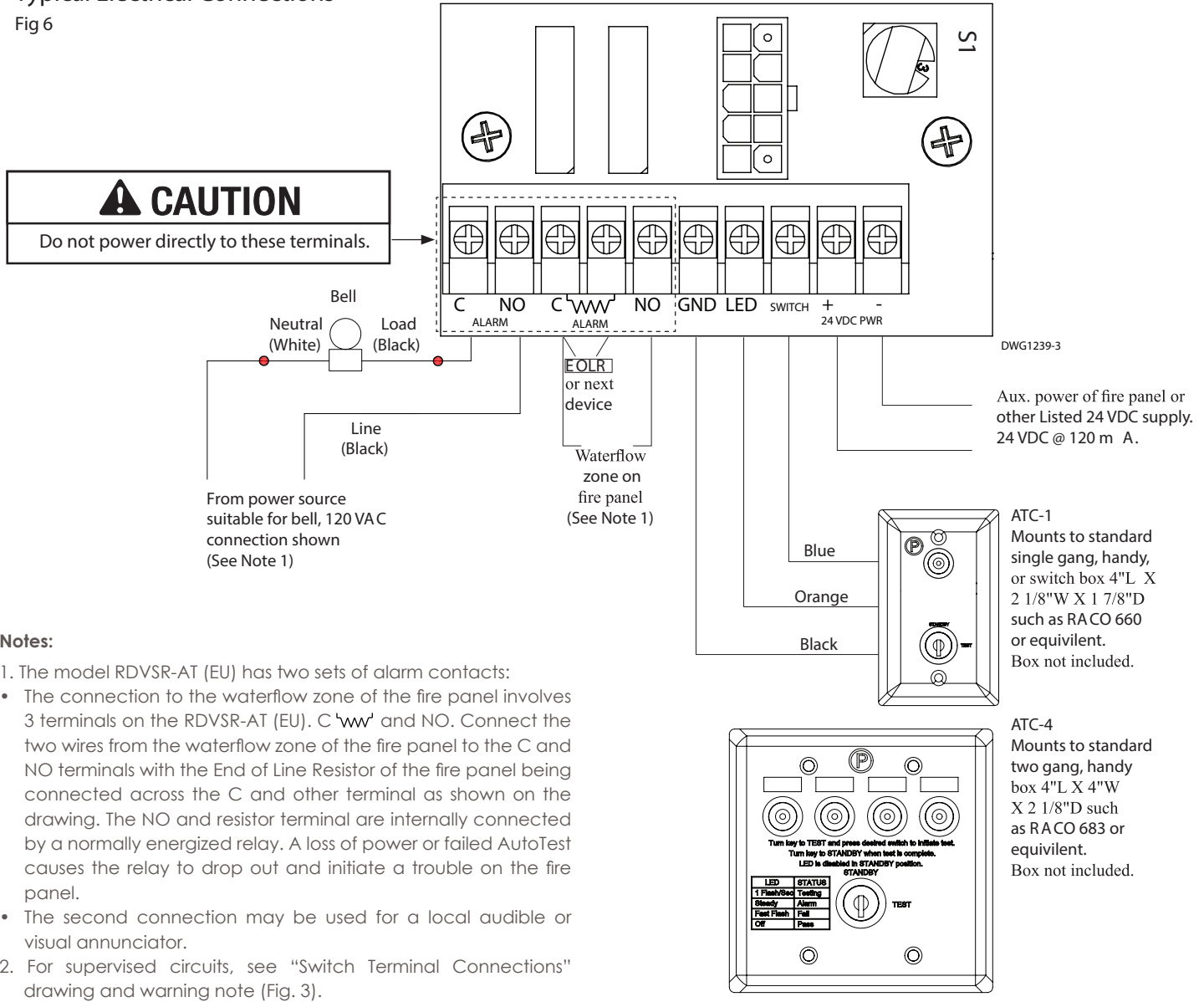


Vane Type Waterflow Alarm Switch with Electronic Retard and Auto Test Feature

Model RDVSR-AT (EU)

Typical Electrical Connections

Fig 6



Notes:

- The model RDVSR-AT (EU) has two sets of alarm contacts:
 - The connection to the waterflow zone of the fire panel involves 3 terminals on the RDVSR-AT (EU). C 'W' and NO. Connect the two wires from the waterflow zone of the fire panel to the C and NO terminals with the End of Line Resistor of the fire panel being connected across the C and other terminal as shown on the drawing. The NO and resistor terminal are internally connected by a normally energized relay. A loss of power or failed AutoTest causes the relay to drop out and initiate a trouble on the fire panel.
 - The second connection may be used for a local audible or visual annunciator.
- For supervised circuits, see "Switch Terminal Connections" drawing and warning note (Fig. 3).

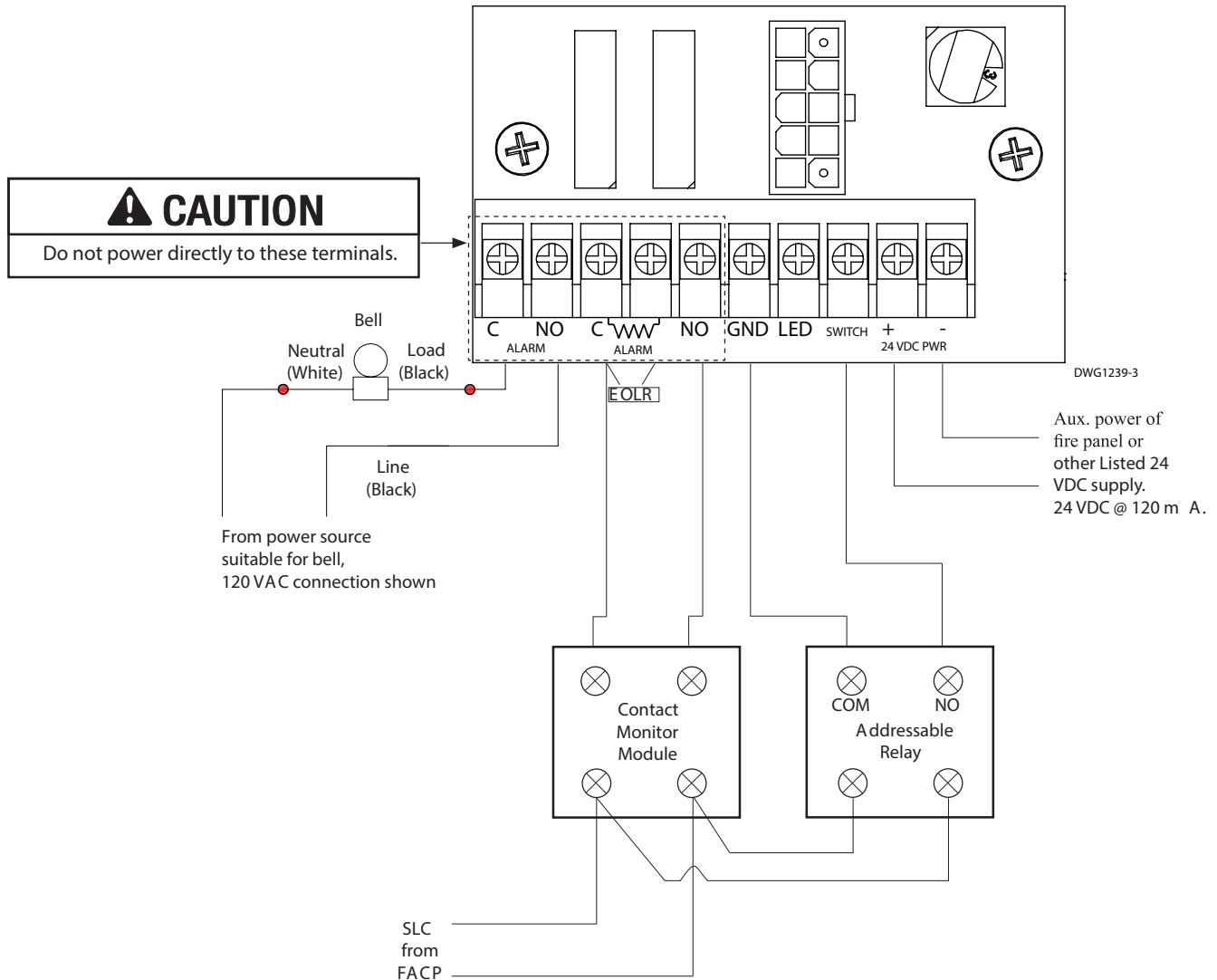
The ATC consists of a momentary push button switch, a key switch to enable/disable the push button and an LED. Turning the keyswitch to Test will enable the push button switch. Momentarily pressing the push button switch will initiate the Auto Test feature. The LED will flash once per second during the test while the retard time is being tested. After the retard time expires, the RDVSR-AT (EU) is put through a simulated waterflow test. If the test was successful, the LED will light for a few seconds and both sets of switch contacts on the VSRAT (EU) will activate for a few seconds. After the LED goes out, the key switch can be returned to Standby and the fire alarm panel reset.

If the test was unsuccessful, the LED will flash 4 times per second, the switch contacts of the RDVSR-AT (EU) will not activate and the RDVSR-AT (EU) will initiate a trouble on the fire alarm panel by opening the circuit between the NO terminal and the End Of Line Resistor terminal.

Manufactured by Potter who hold FM Approval, UL Listing, LPCB and CE Certificates

Vane Type Waterflow Alarm Switch with Electronic Retard and Auto Test Feature Model RDVSR-AT (EU)

Typical Electrical Connections for Operation by Addressable Fire Alarm Panel
Fig 7



Notes:

- The model RDVSR-AT (EU) has two sets of alarm contacts:
 - The connection to the waterflow zone of the fire panel involves 3 terminals on the RDVSR-AT (EU). C 'WW' and NO. Connect the two wires from the waterflow zone of the fire panel to the C and NO terminals with the End of Line Resistor of the fire panel being connected across the C and other terminal as shown on the drawing. The NO and resistor terminal are internally connected by a normally energized relay. A loss of power or failed AutoTest causes the relay to drop out and initiate a trouble on the fire panel.
 - The second connection may be used for a local audible or visual annunciator.

- For supervised circuits, see "Switch Terminal Connections" drawing and warning note (Fig. 3).

The Auto Test feature can be initiated by momentarily connecting the GND and Switch terminals together using the Auto Test Control (ATC) or any UL Listed switch or relay.

Manufactured by Potter who hold FM Approval, UL Listing, LPCB and CE Certificates

Vane Type Waterflow Alarm Switch with Electronic Retard and Auto Test Feature

Model RDVSR-AT (EU)

Troubleshooting Guide

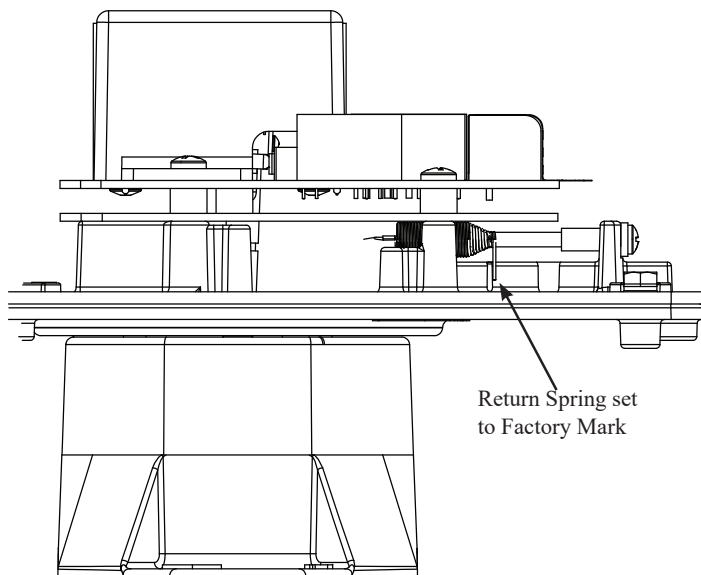
A successful completion of the Auto Test will momentarily activate both sets of normally open contacts on the flowswitch for approximately 7 seconds.

If the Auto Test detects a problem with the trip stem/paddle assembly, or if there is no water in the pipe, neither normally open contact will operate. The flowswitch will then indicate a trouble condition at the ATC test switch and transmit a trouble signal to the fire alarm control panel.

When Fire Panel Stays in Trouble

- Check the wiring
- The zone of the fire panel should be wired to the RDVSR-AT (EU) as shown on page 5. The End of Line Resistor should be installed as shown across the terminals marked C and the terminal to the right of C which is indicated by the other end of the resistor symbol. The zone of the fire panel connects to the terminals marked C and N.O.
- The NO and End of Line Resistor terminals are connected internally by a normally energized relay. A loss of power or failed AutoTest causes the relay to drop out and initiates a trouble at the fire panel.
- The only way to clear the trouble on the fire panel is to conduct a successful AutoTest using the ATC test switch or other test method. Conducting an actual waterflow test will put the panel in alarm but will not clear the trouble.

Fig. 8



When VSR-AT Fails Auto Test

- Is there water in the pipe? The RDVSR-AT (EU) will fail the AutoTest if the pipe it is installed on is not full of water.
- Has the return spring on the RDVSR-AT (EU) been adjusted? This spring has been factory set and should not be adjusted in the field. Refer to Figure 8 to determine the factory spring setting. If the spring is not at the factory setting, turn the spring adjustment screw until the factory spring setting is restored.

Ordering Codes

Nominal Pipe Size		Ordering Codes
DN50	2"	RDVSR-AT50
DN65	2 1/2"	RDVSR-AT65
DN80	3"	RDVSR-AT80
DN100	4"	RDVSR-AT100
DN125	5"	RDVSR-AT125
DN150	6"	RDVSR-AT150
DN200	8"	RDVSR-AT200

Optional Power Supply	
Model	Description
-	Power Supply
BT-80	12V Battery - 8AH (2 Required)

Optional Test Switch	
Model	Description
ATC-1	Single Zone Test Control
ATC-4	Four Zone Test Control
SGB-R	Single Gang Box - Red
DGB-R	Double Gang Box - Red