



MAGNA3

Further product
documentation



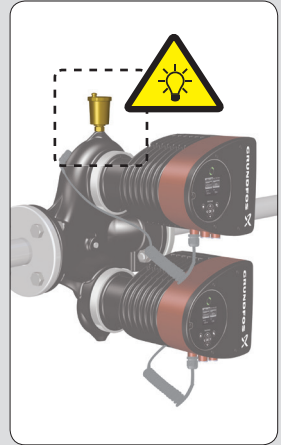
net.grundfos.com/qr/i/98091805



MAGNA3



MAGNA3 D

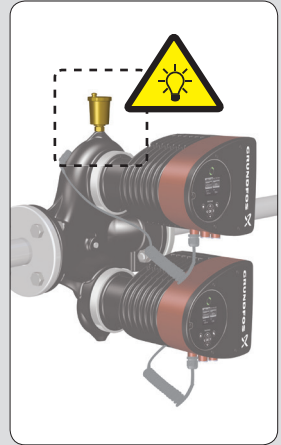




MAGNA3 F



MAGNA3 D F





Max. 95 % RH
IPX4D



Min./Max.
-10 °C – +110 °C



PN 6:6 bar / 0.6 MPa
PN 10:10 bar / 1.0 MPa
PN 16:16 bar / 1.6 MPa

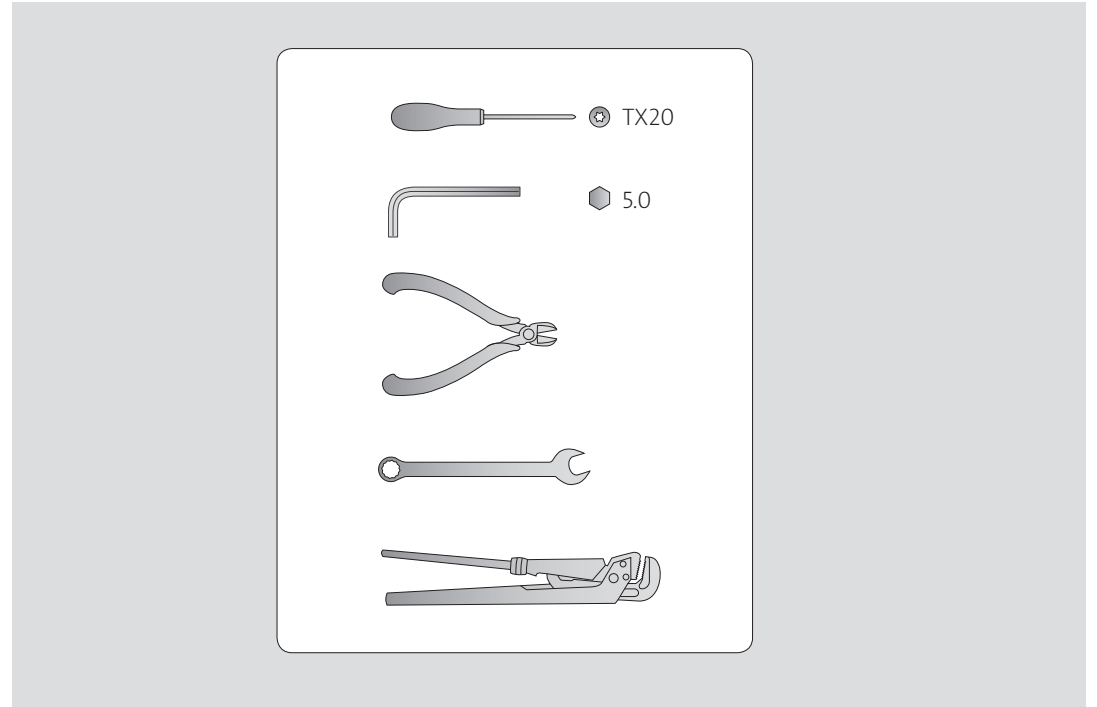
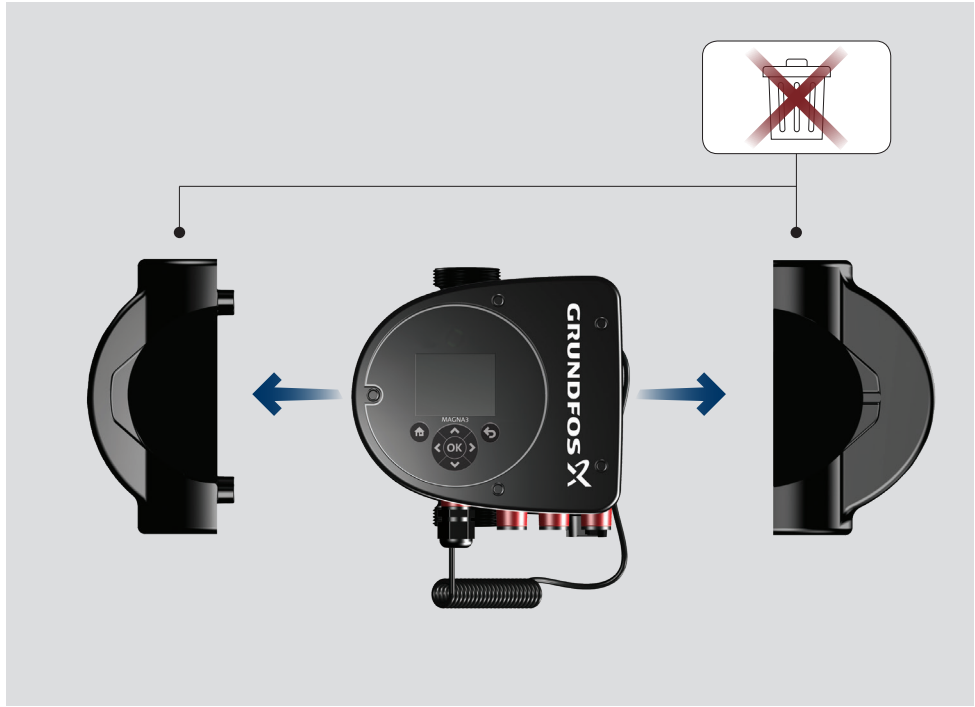


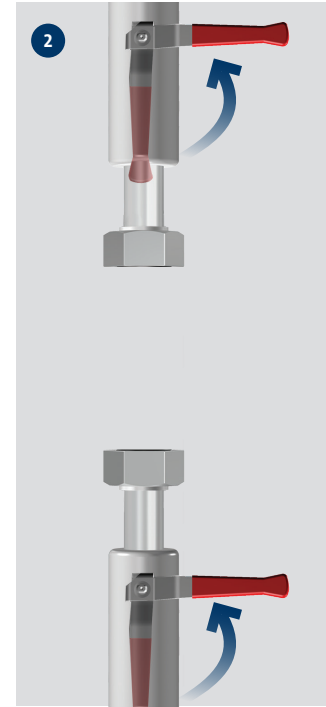
Min./Max.
0 °C – +40 °C

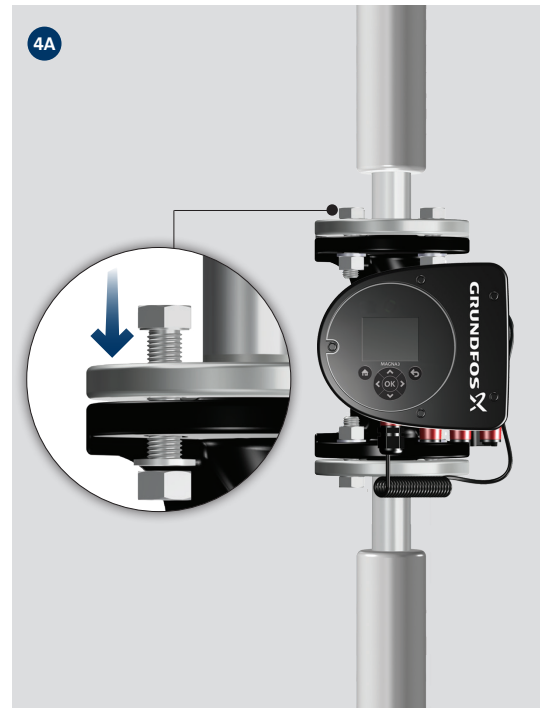


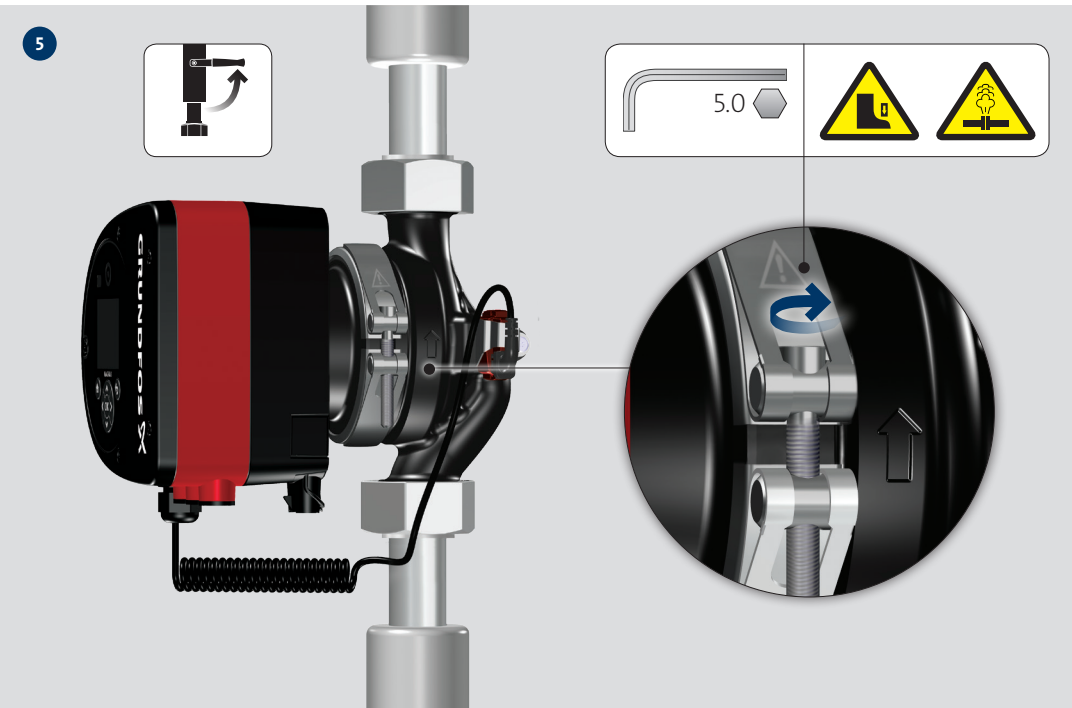
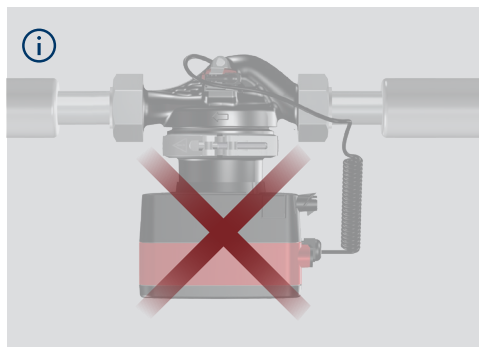
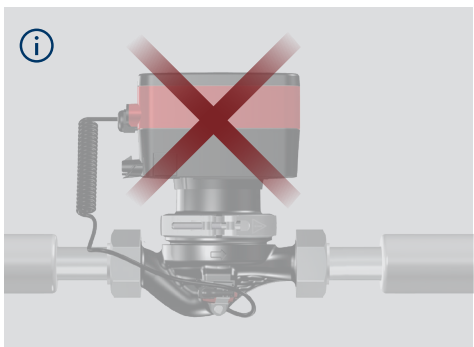
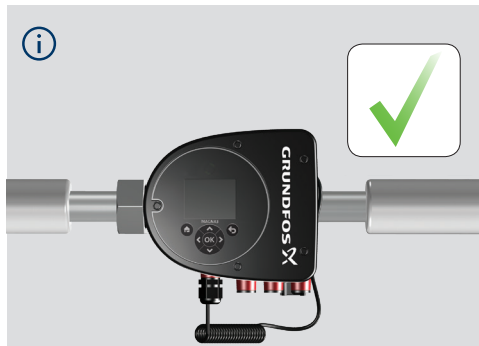
< 39 dB(A)

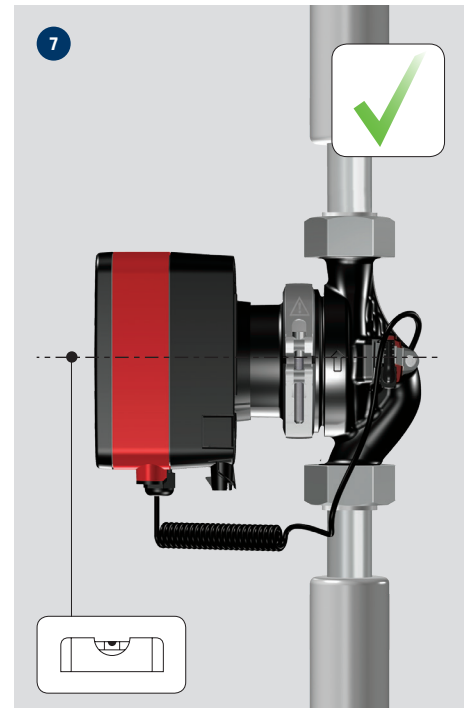
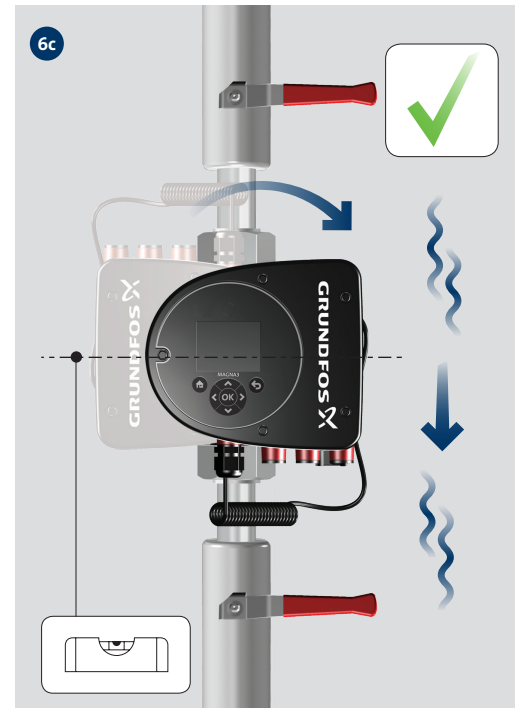
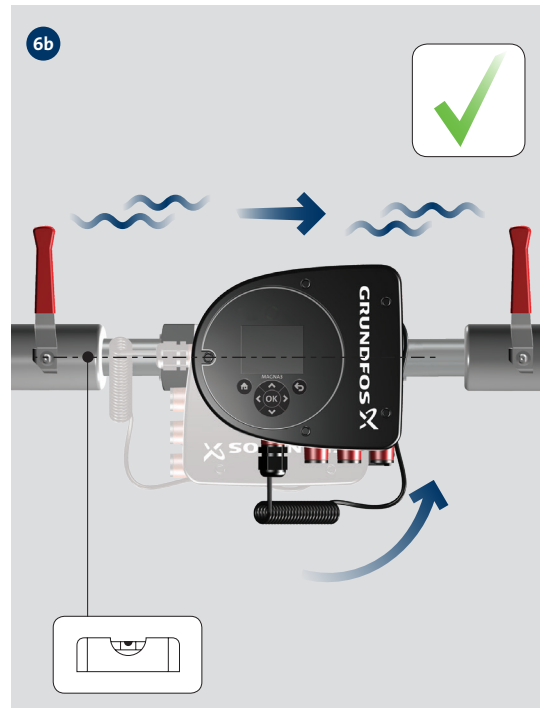
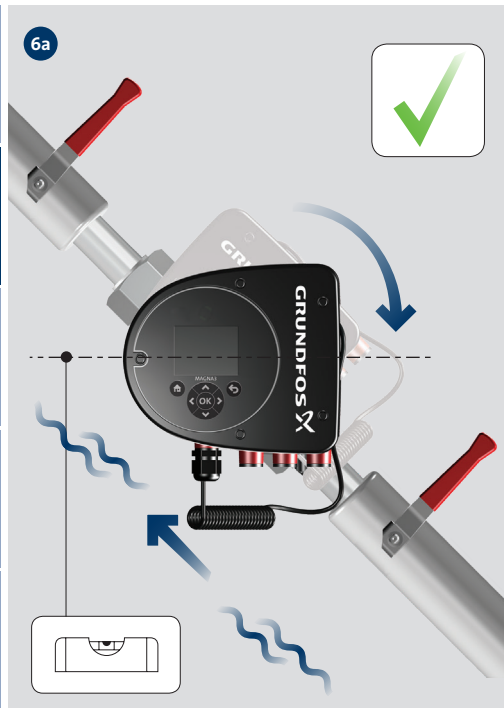






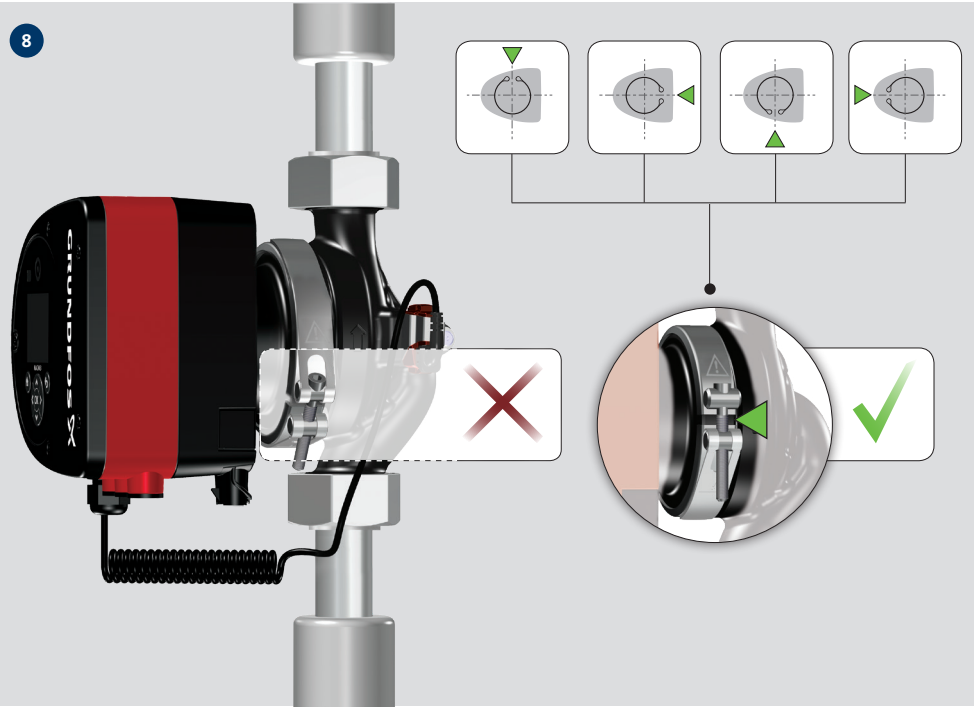




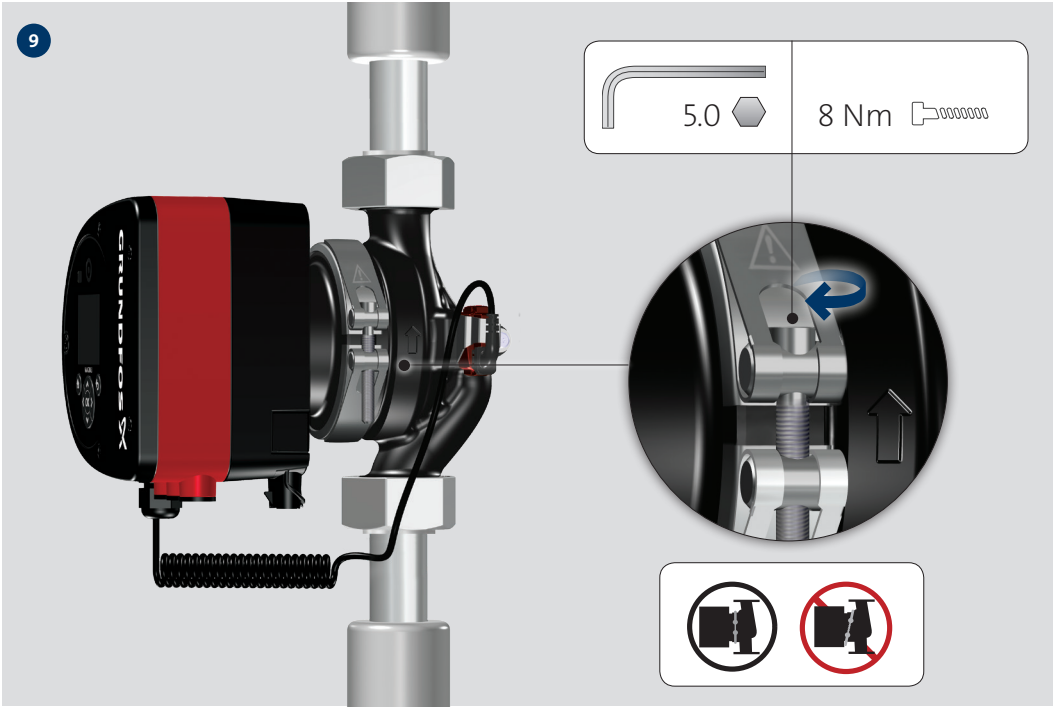




8



9

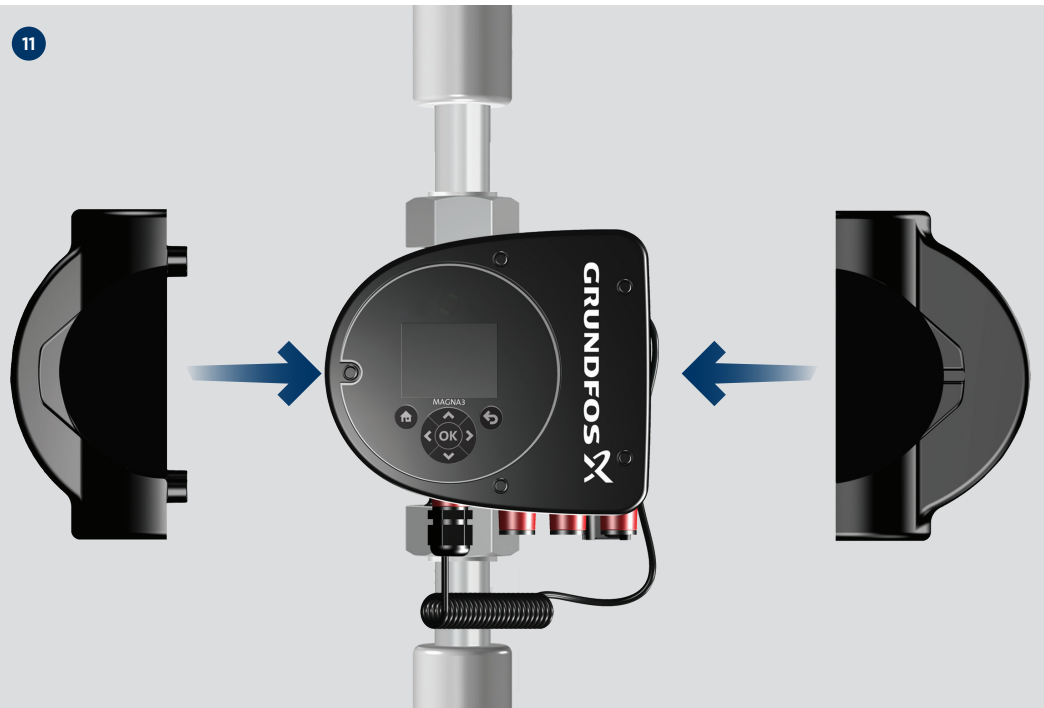


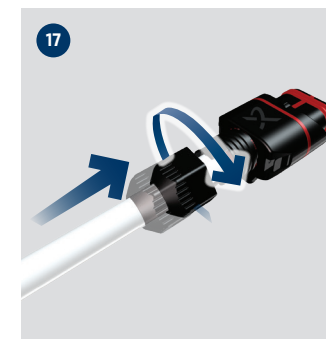
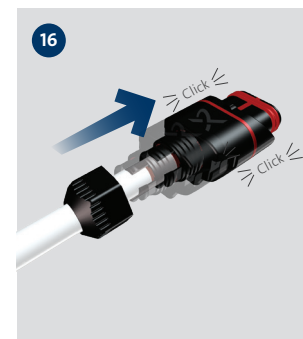
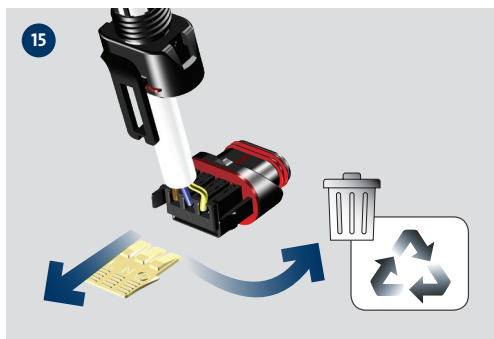
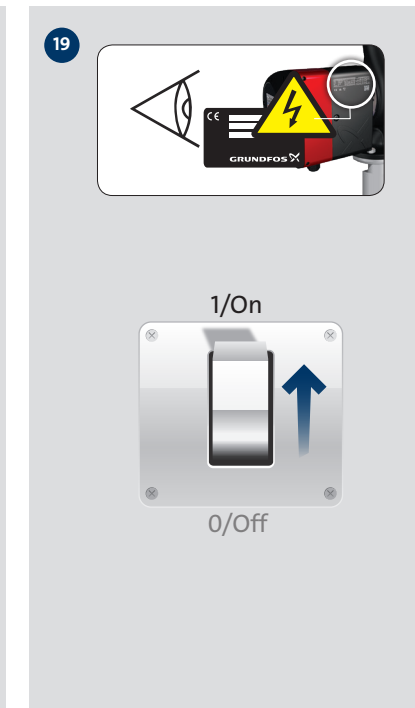
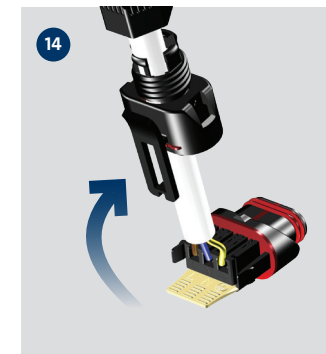
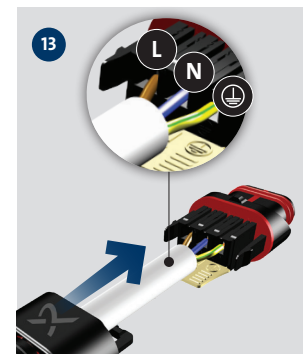
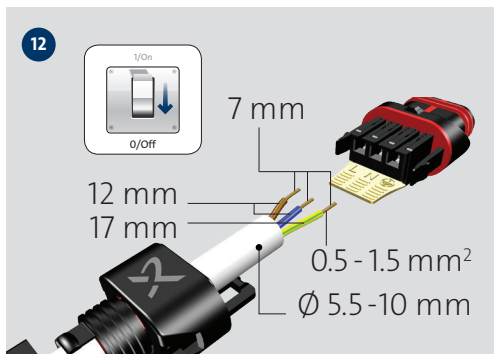


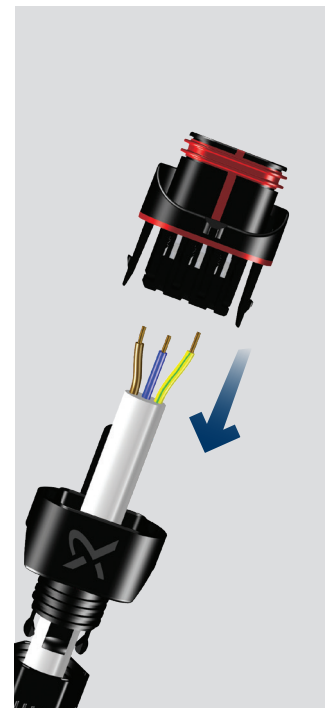
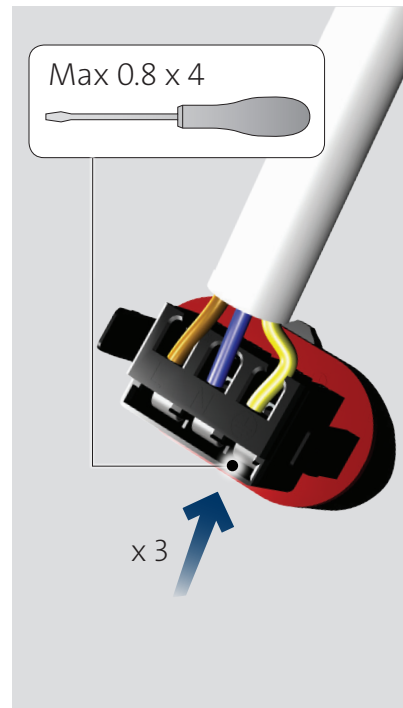
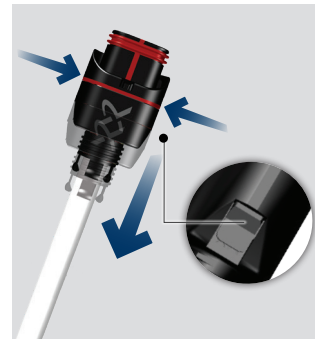
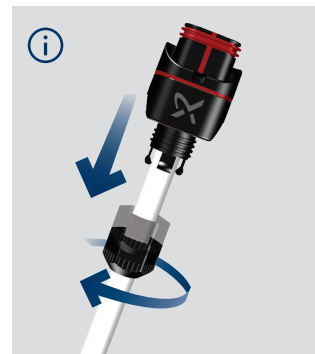
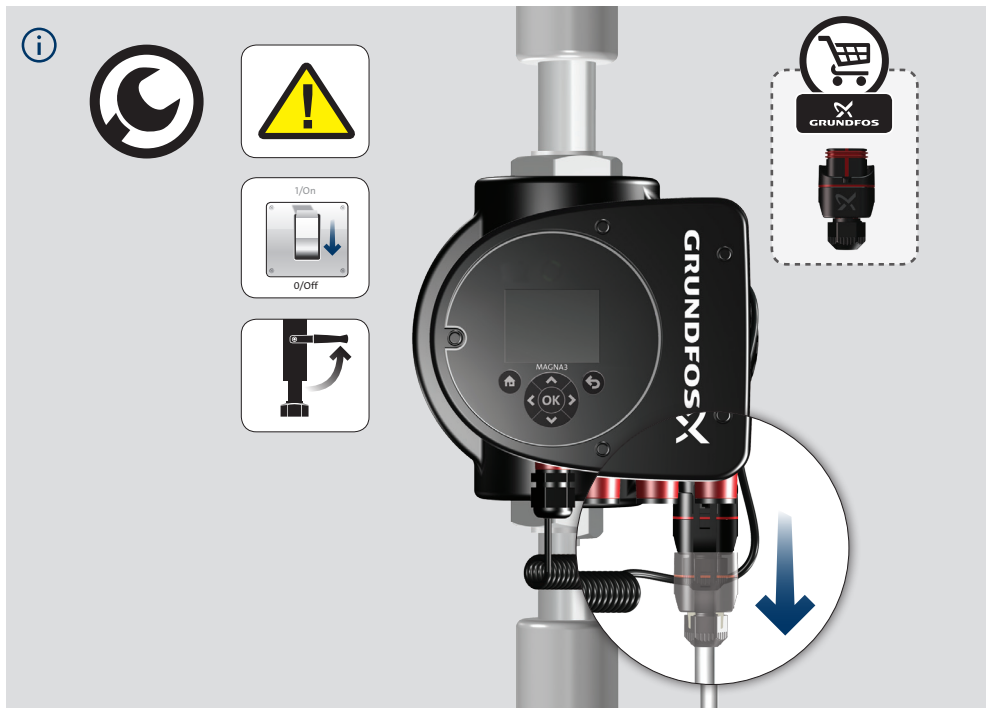
10

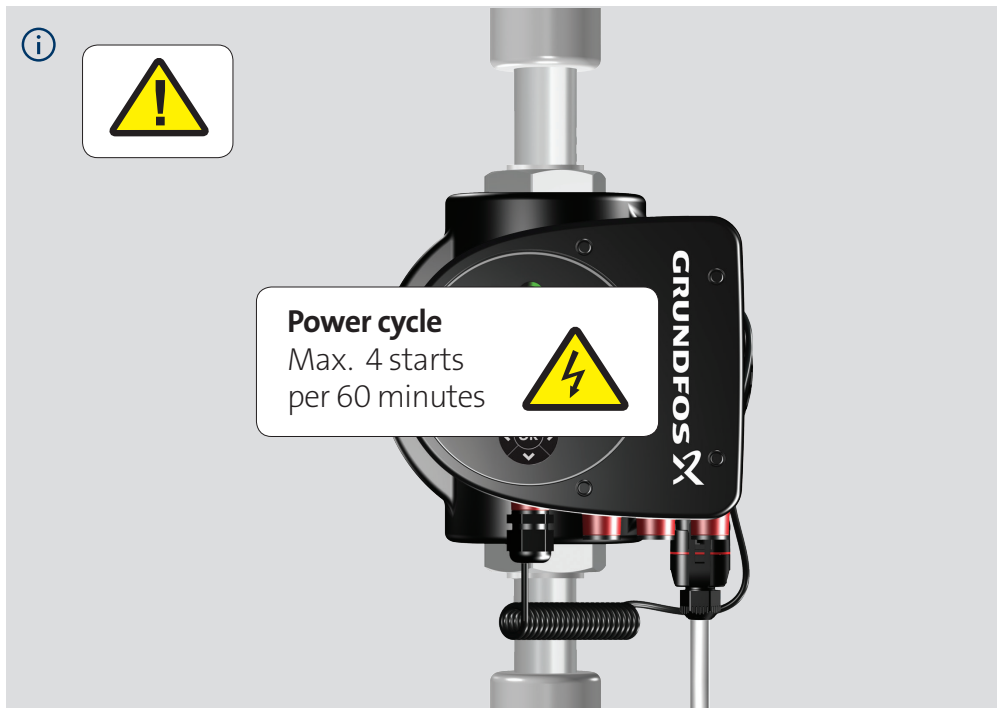


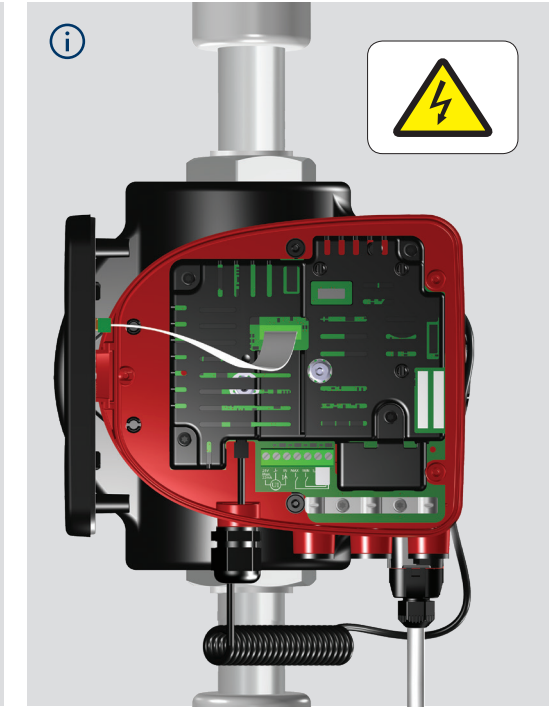
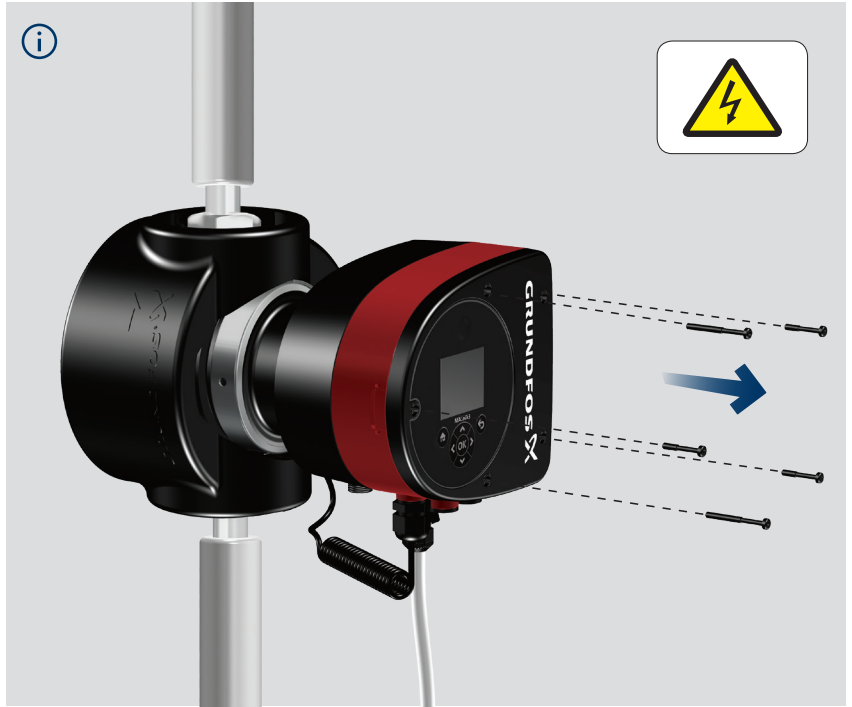
11

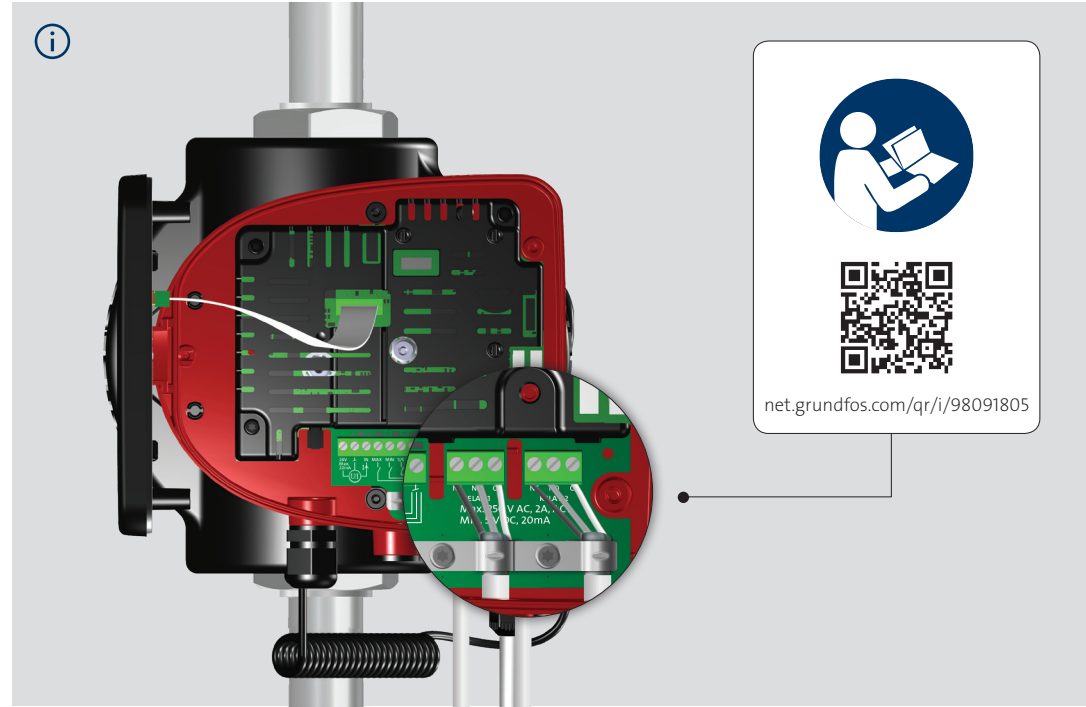
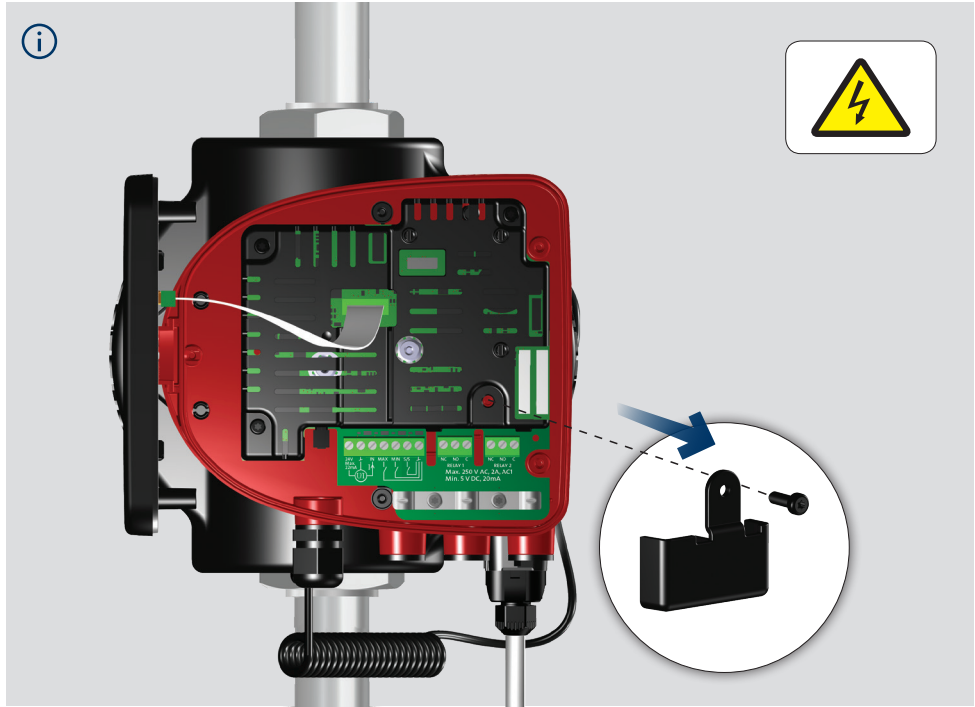


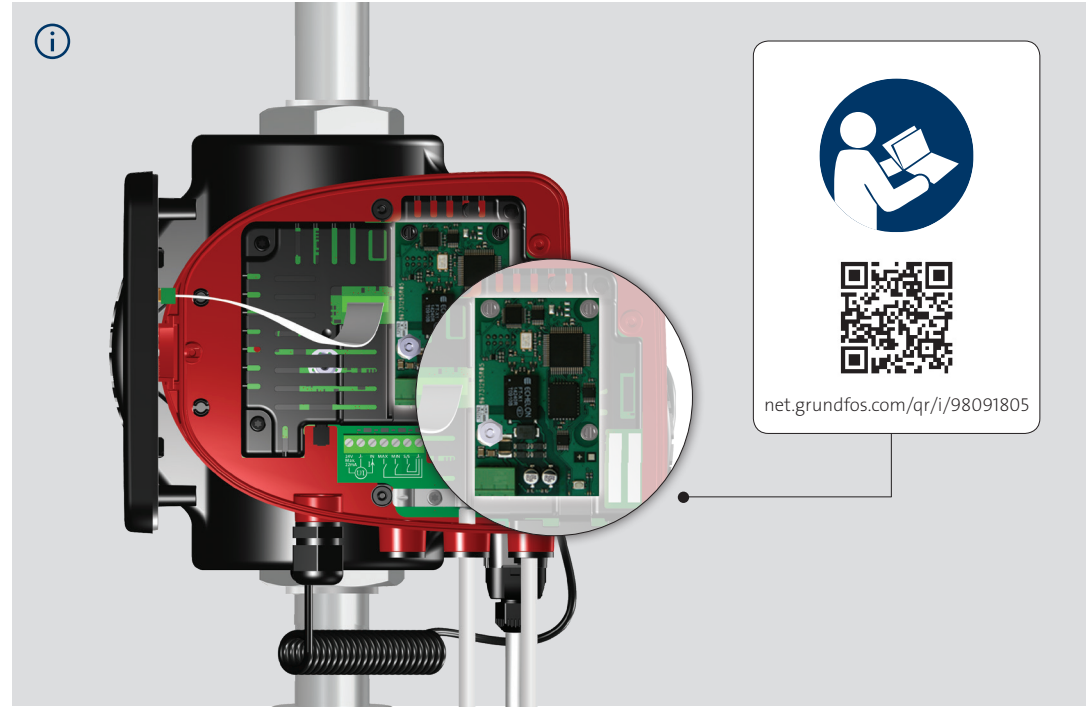
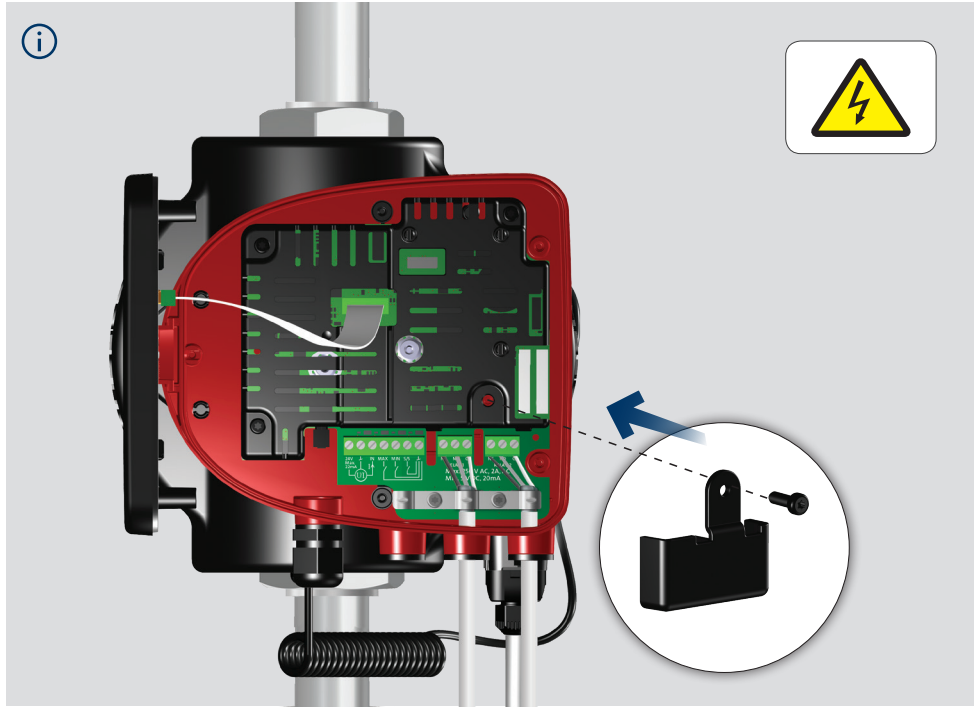




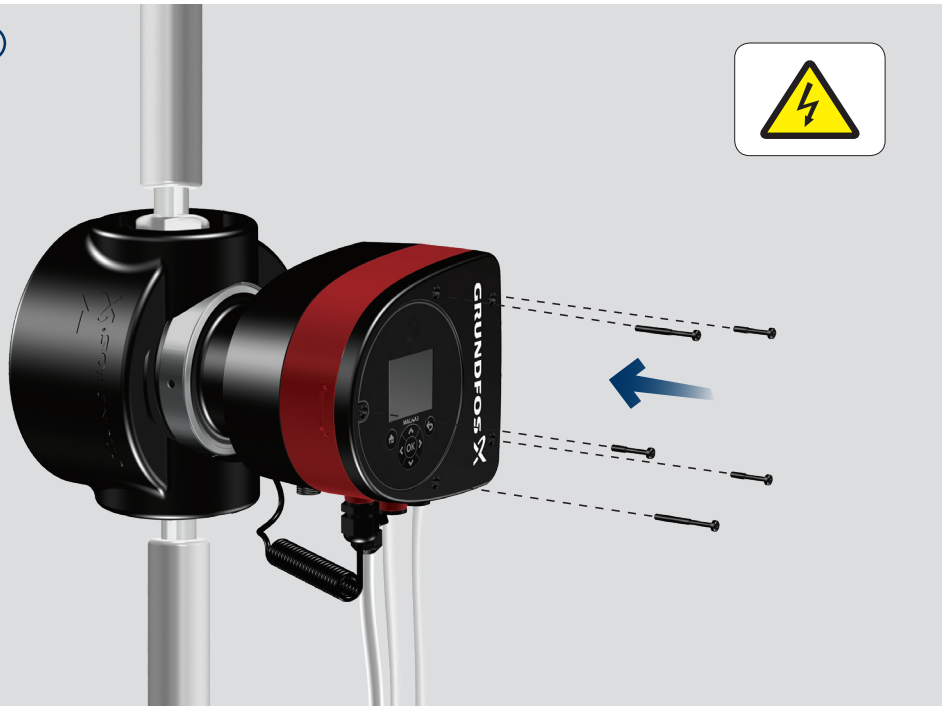








net.grundfos.com/qr/i/98091805



Installation date: _____

Installer:

98474143 0219

ECM: 1253737

GRUNDFOS Holding A/S
Poul Due Jensens Vej 7
DK-8850 Bjerringbro
Tel: +45 87 50 14 00
www.grundfos.com

GRUNDFOS 