



# MAGNA1

VALID FROM MODEL C

Further product  
documentation



[net.grundfos.com/qr/i/99209952](https://net.grundfos.com/qr/i/99209952)

be  
think  
innovate

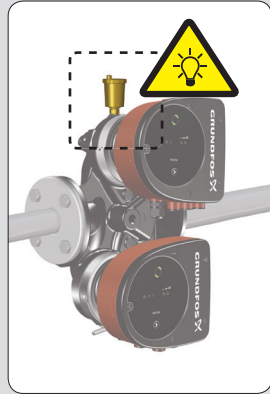
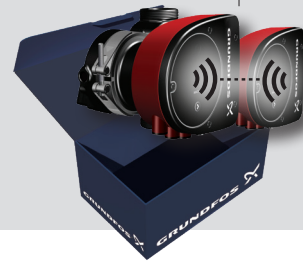
**GRUNDFOS** 



MAGNA1



MAGNA1 D

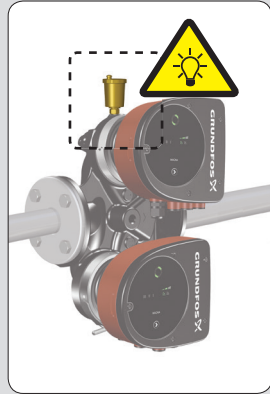
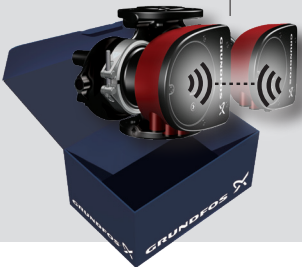




MAGNA1 F



MAGNA1 D F





Max. 95 % RH  
IPX4D



Min./Max.  
-10 °C – +110 °C



PN 6:6 bar / 0.6 MPa  
PN 10:10 bar / 1.0 MPa  
PN 16:16 bar / 1.6 MPa

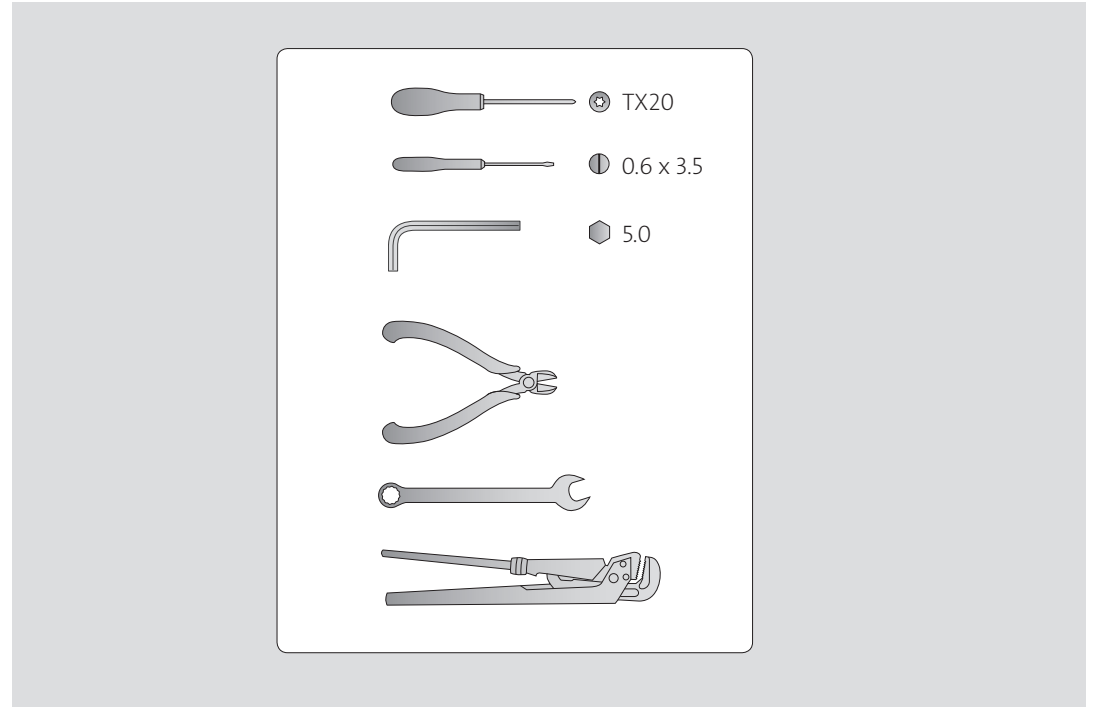
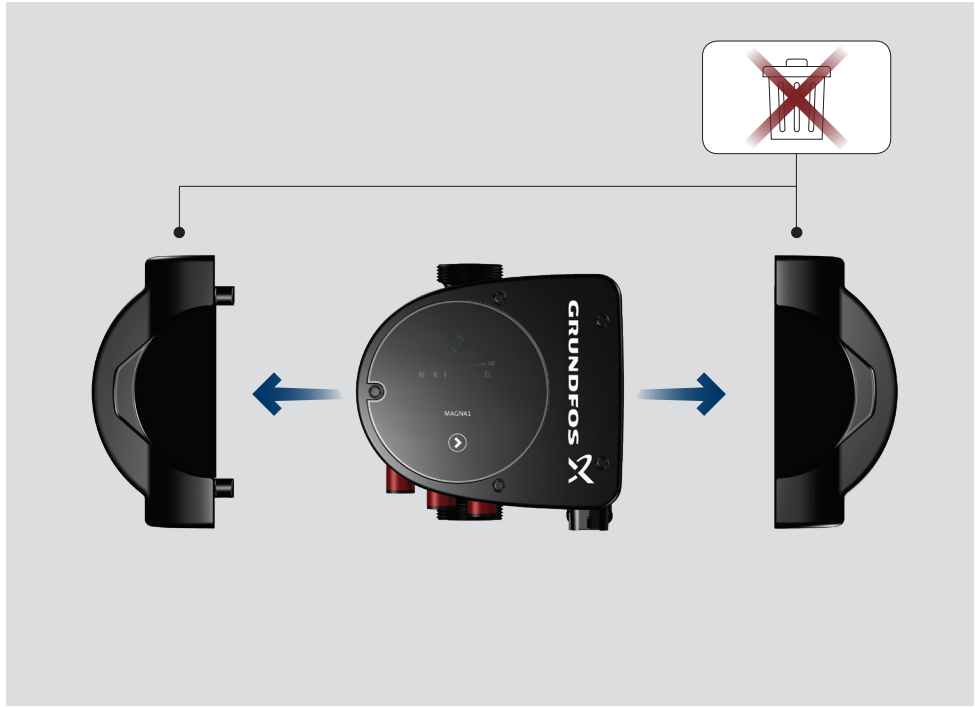


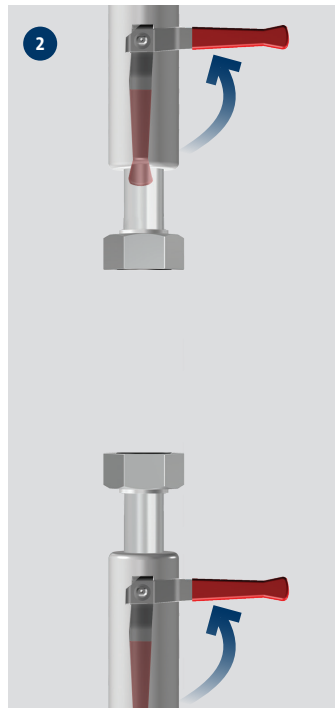
Min./Max.  
0 °C – +40 °C

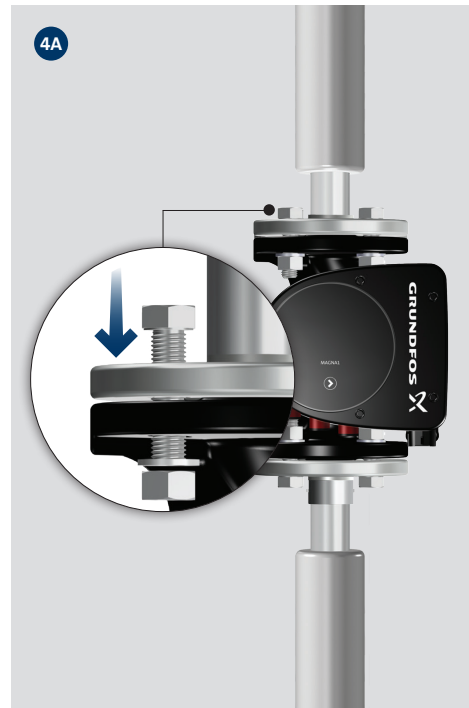


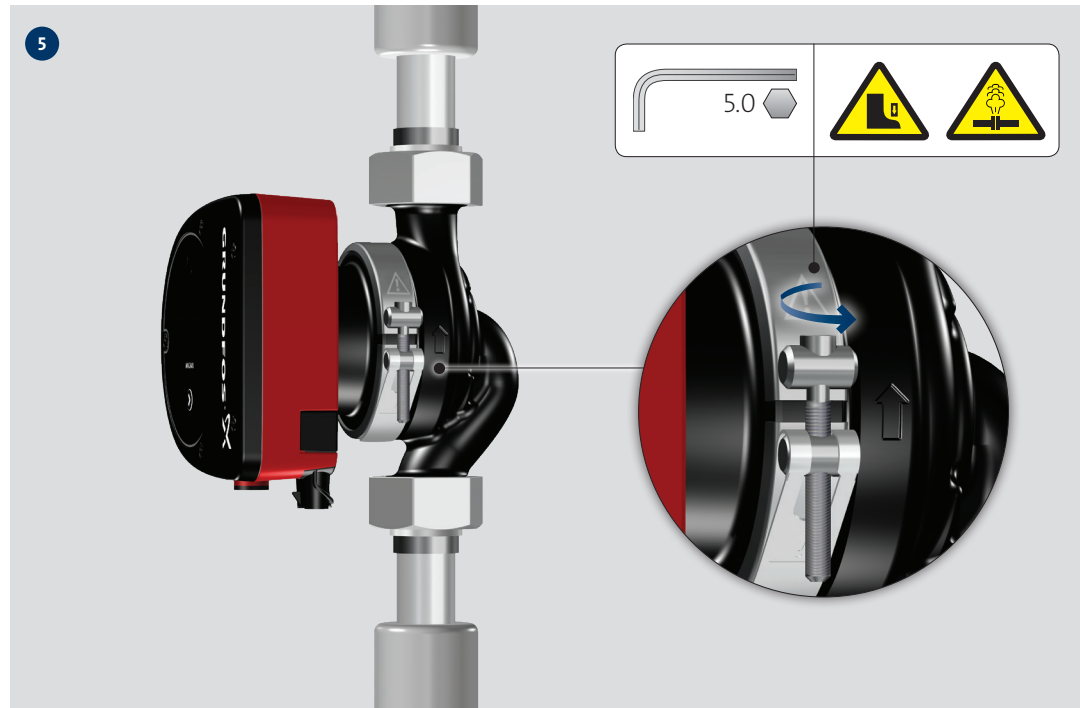
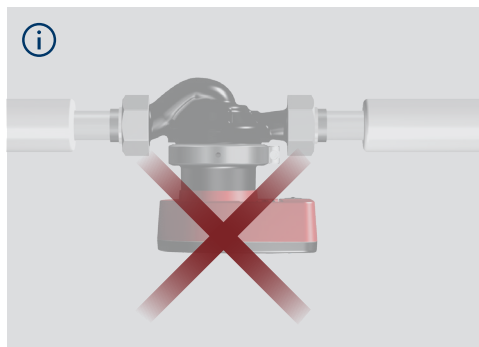
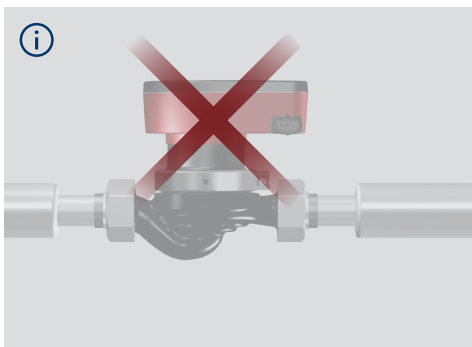
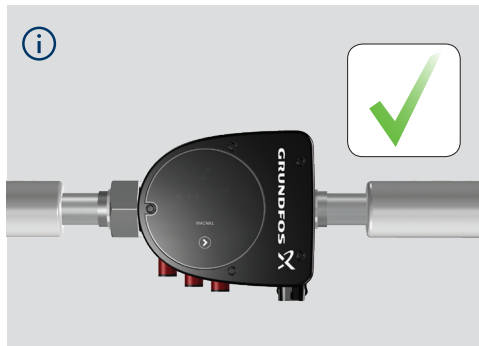
< 39 dB(A)



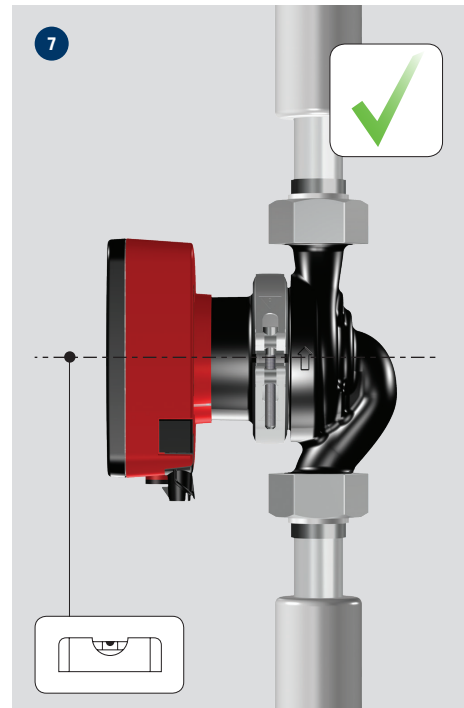
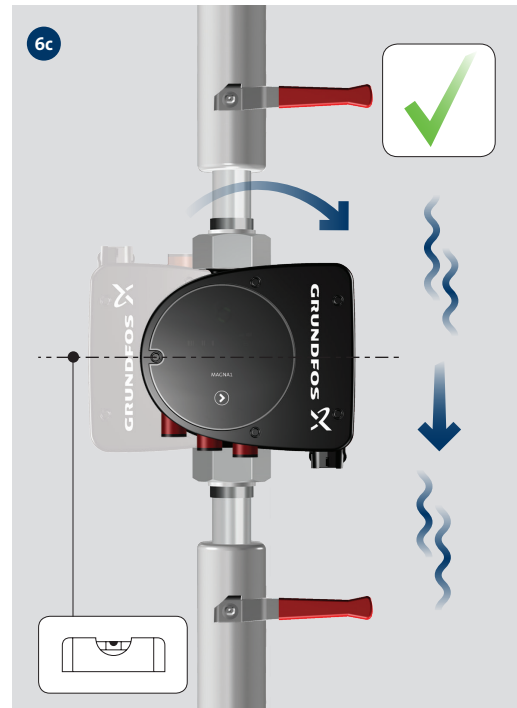
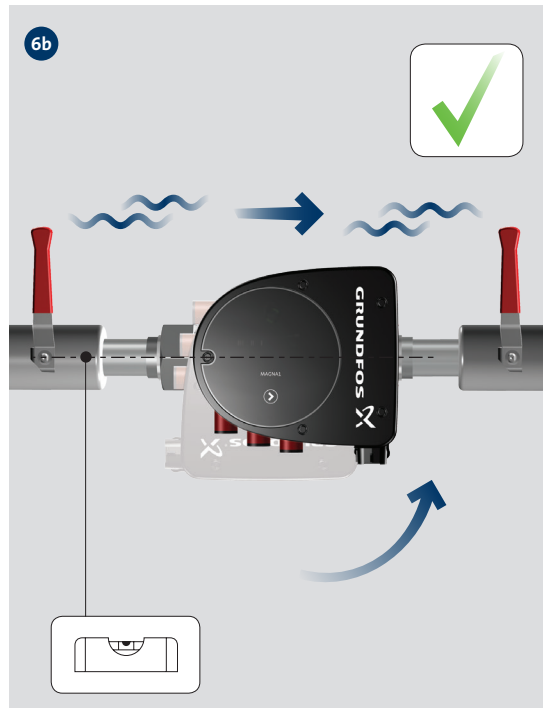
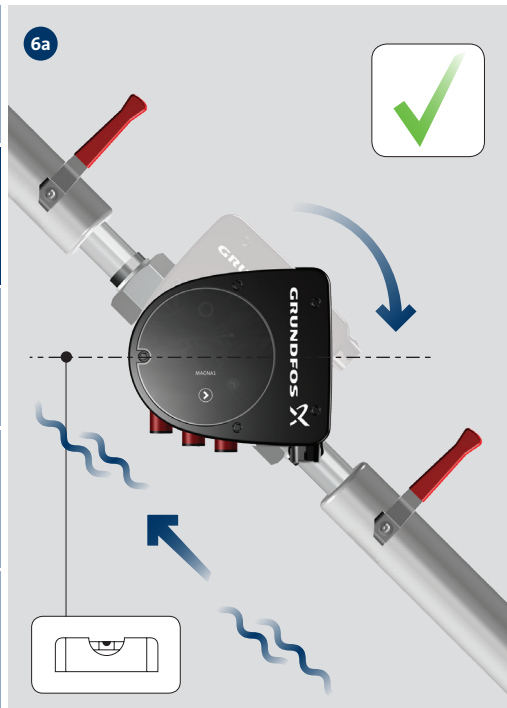






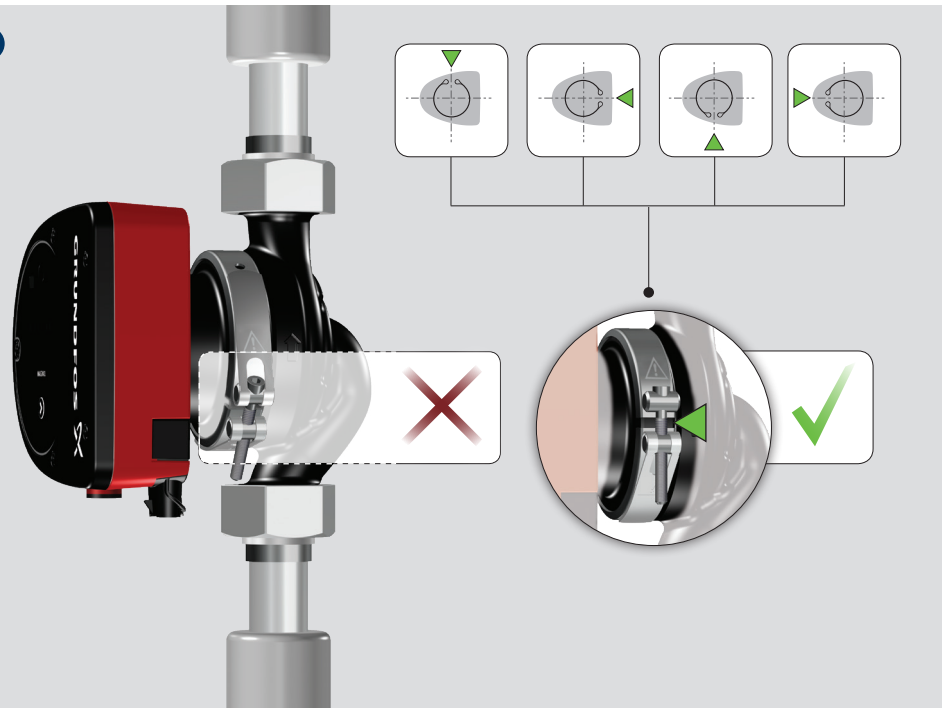




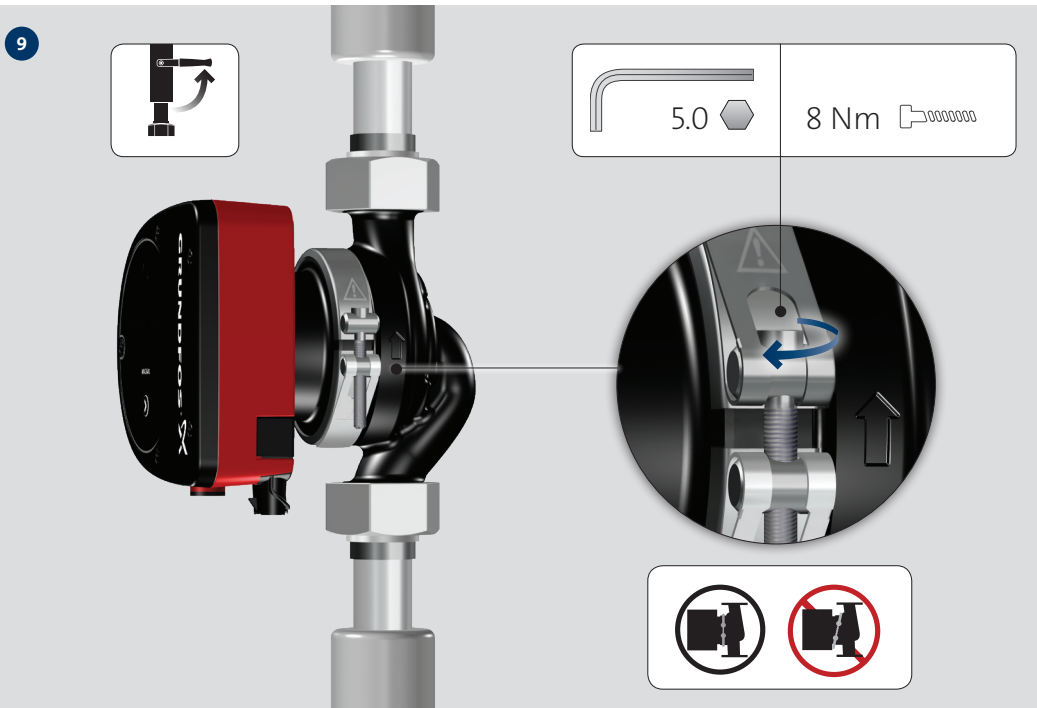




8

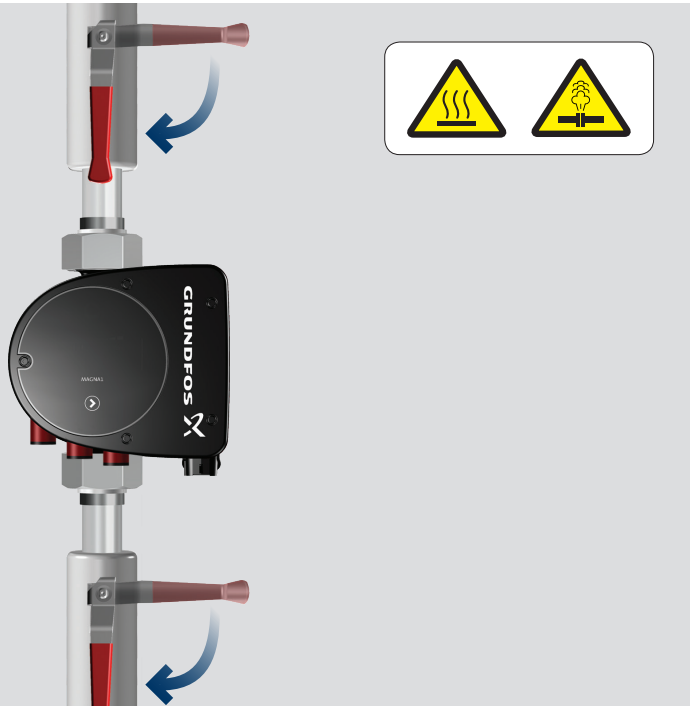


9

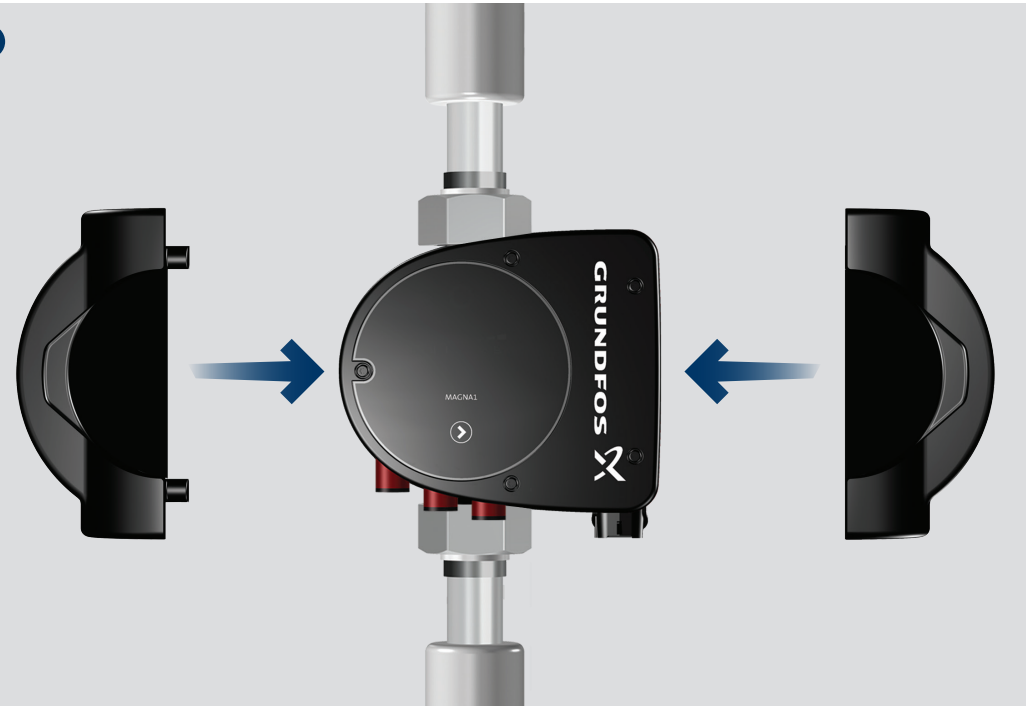




10

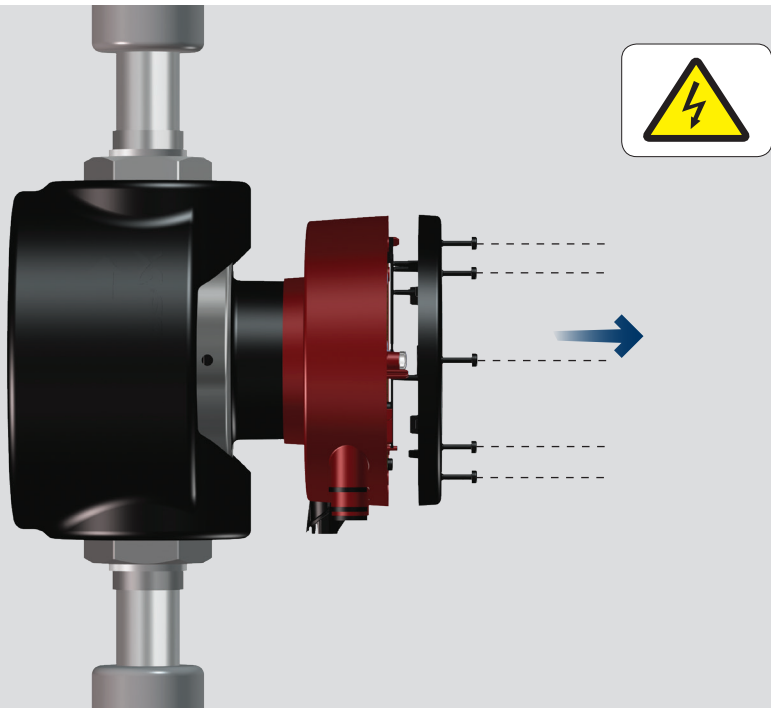


11

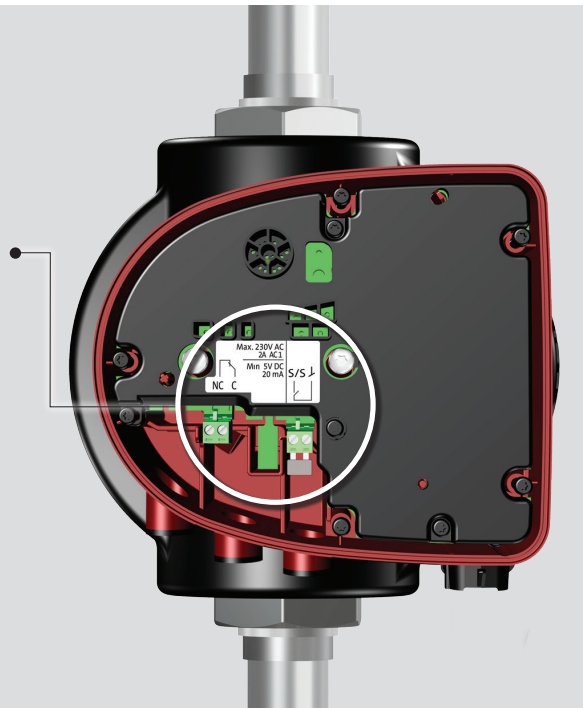
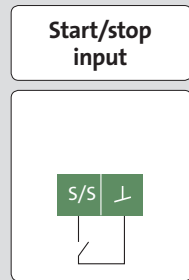
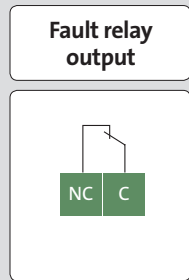




12

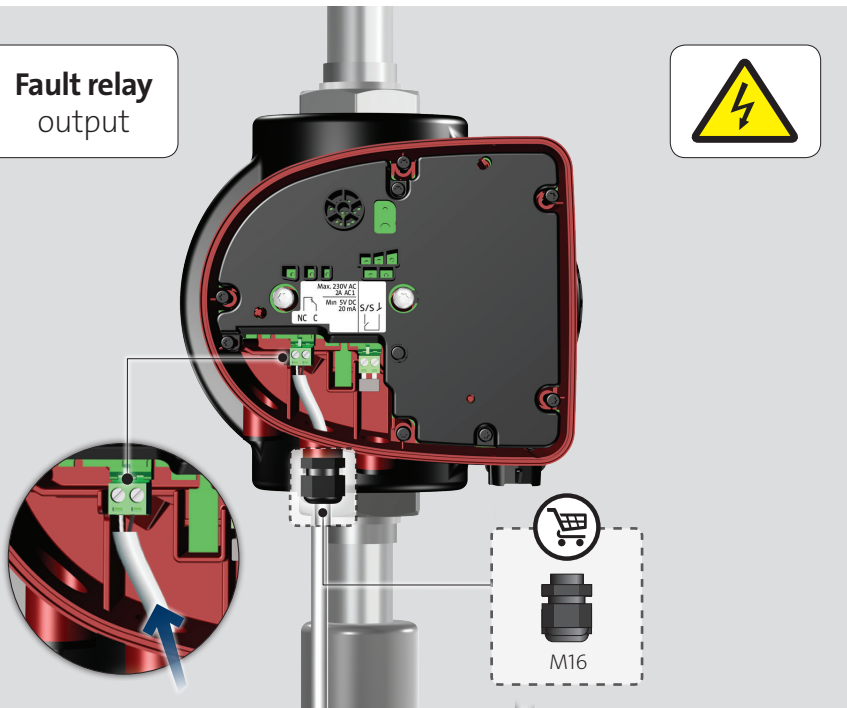


i





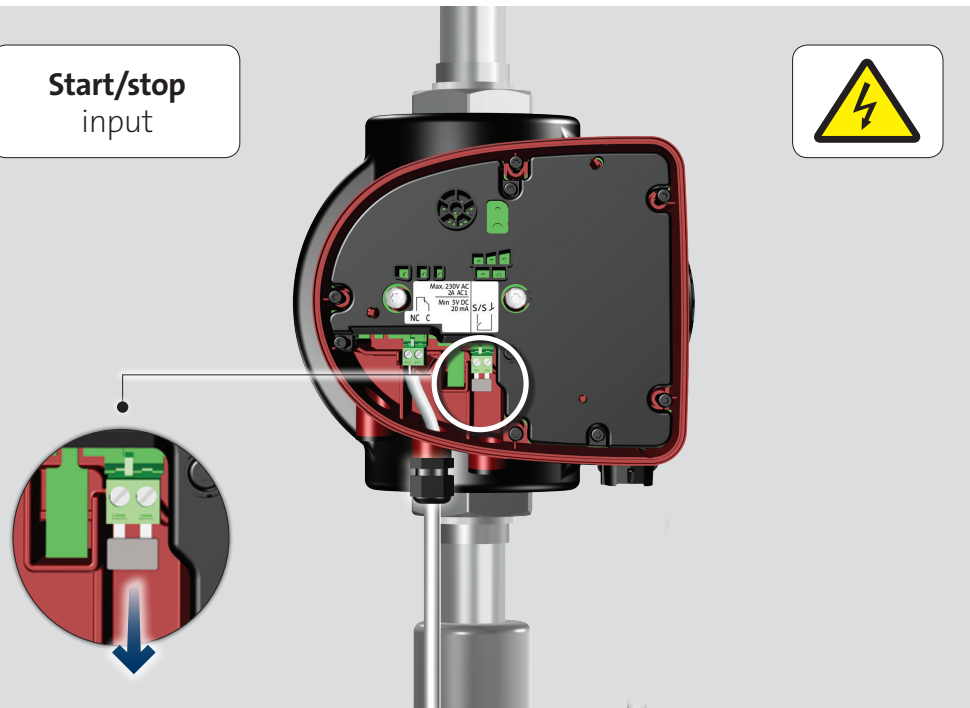
**Fault relay  
output**



M16

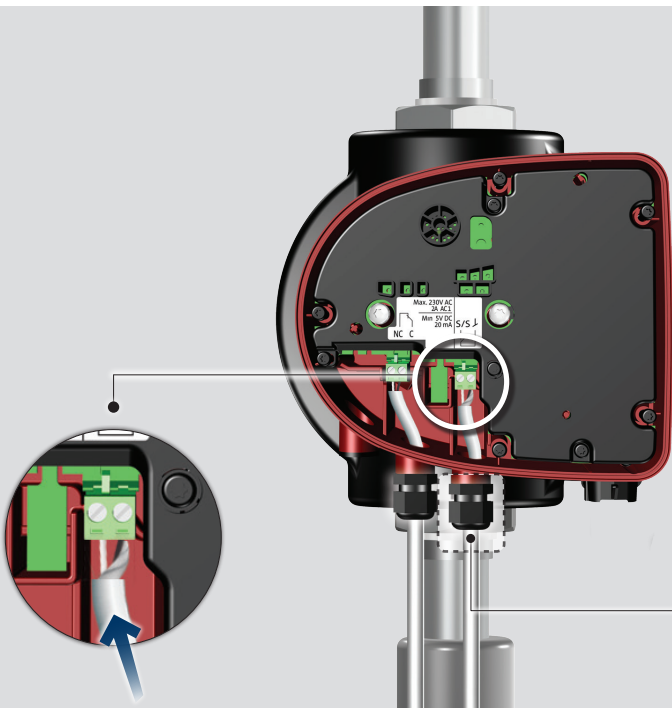


**Start/stop  
input**

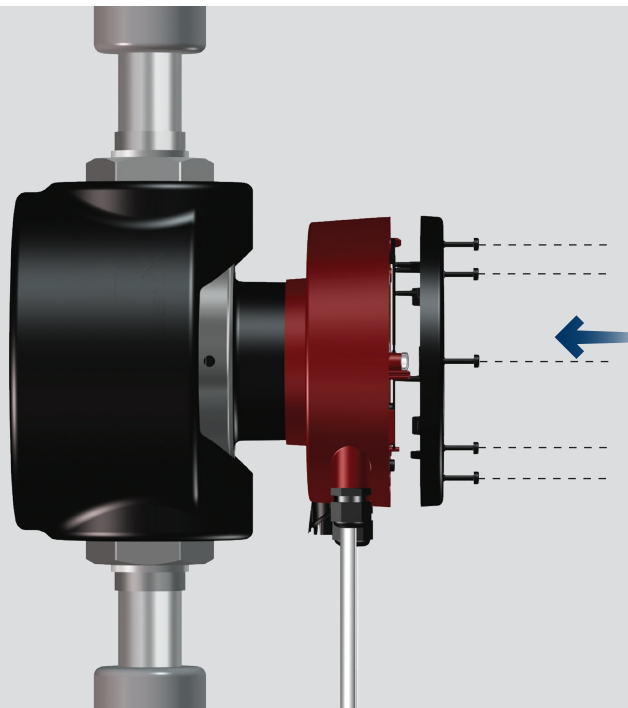


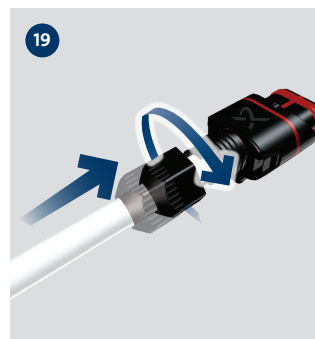
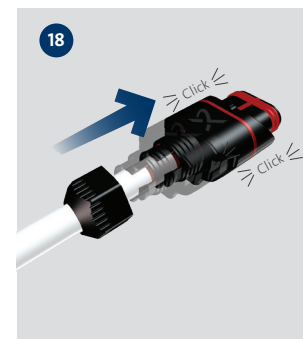
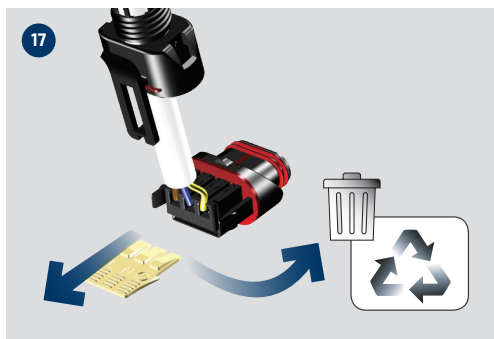
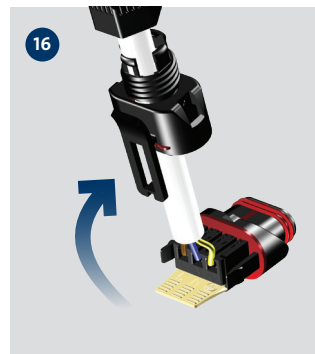
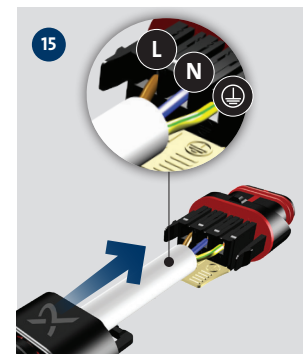
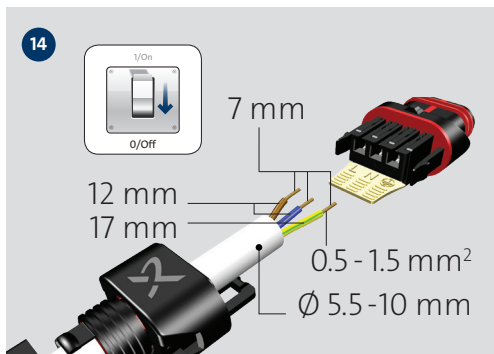


i



13







21

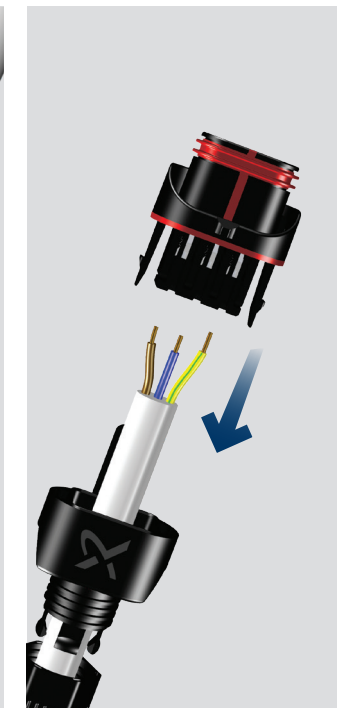
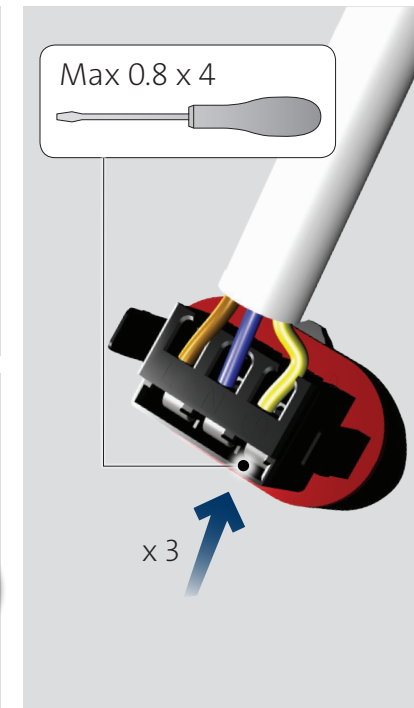
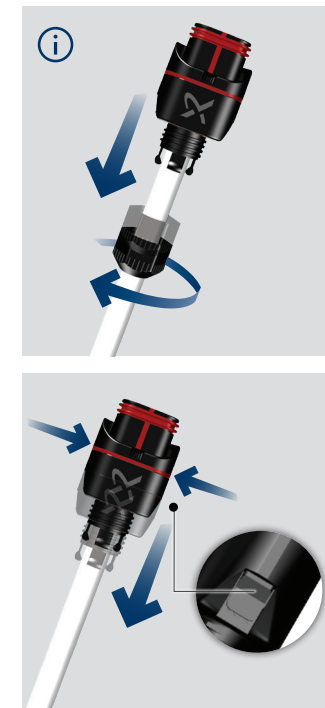


i

**Power cycle**  
Max. 4 starts  
per 60 minutes









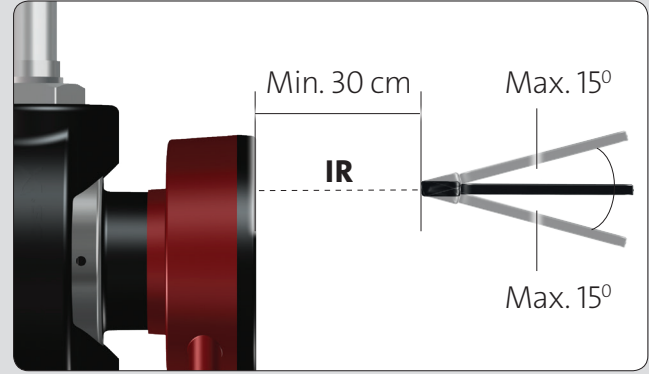
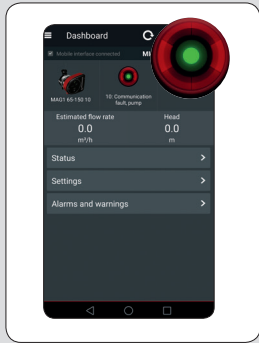
i

IR



IR

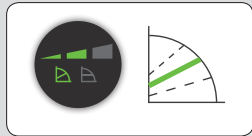
IR



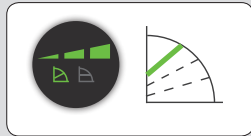
[net.grundfos.com/qr/i/99209952](http://net.grundfos.com/qr/i/99209952)



i



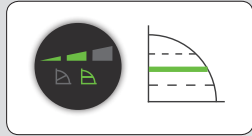
1X



2X



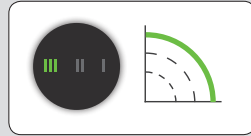
3X



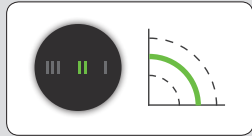
4X



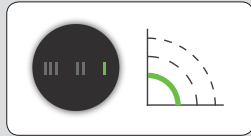
5X



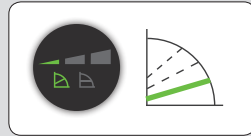
6X



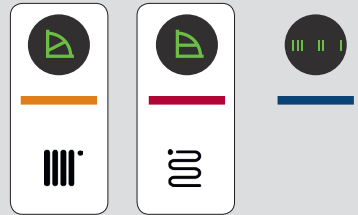
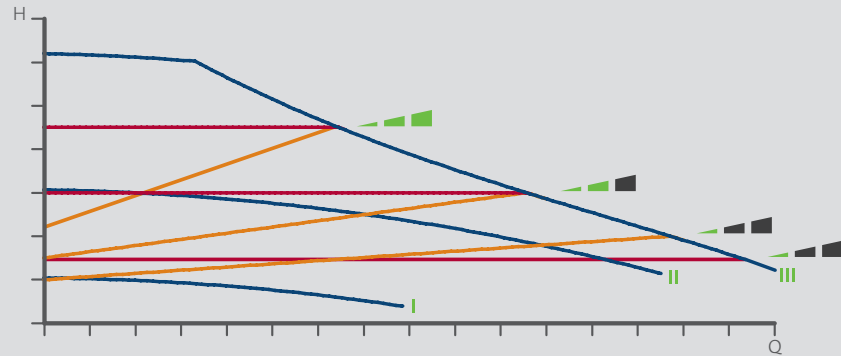
7X



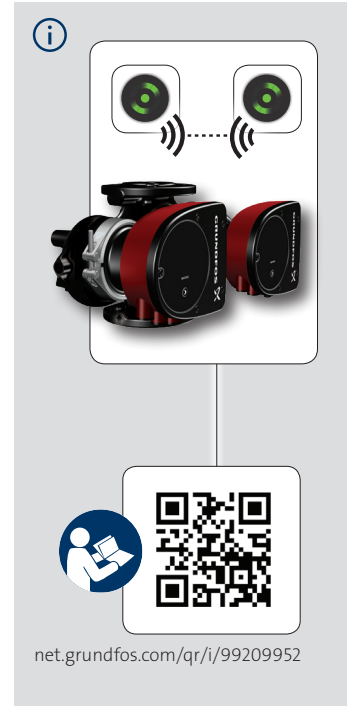
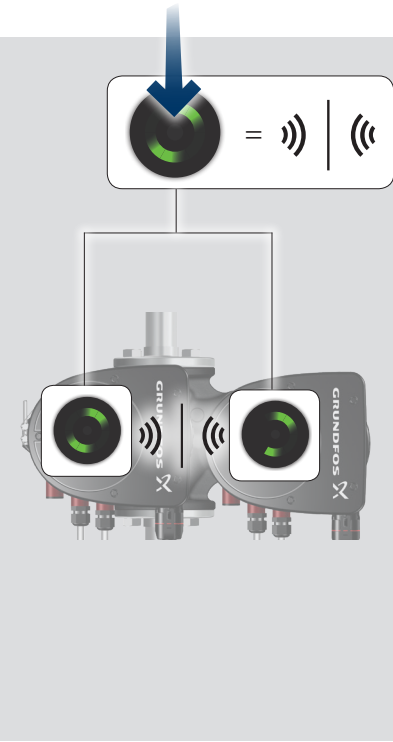
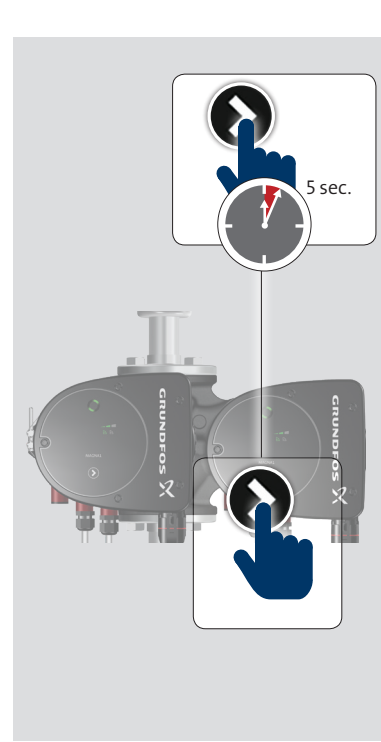
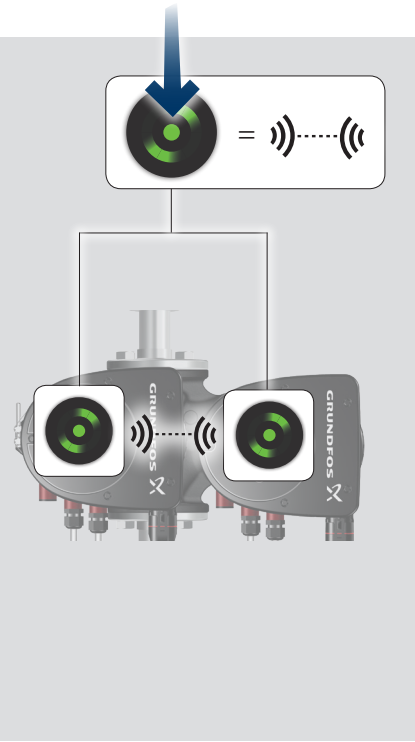
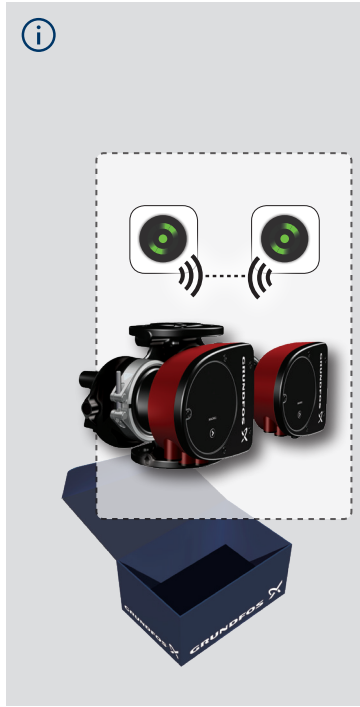
8X



i



net.grundfos.com/qr/i/99209952



Installation date: \_\_\_\_\_

Installer:

\_\_\_\_\_  
\_\_\_\_\_  
\_\_\_\_\_  
\_\_\_\_\_

99334333 0219

ECM: 1253737

**GRUNDFOS Holding A/S**  
Poul Due Jensens Vej 7  
DK-8850 Bjerringbro  
Tel: +45 87 50 14 00  
[www.grundfos.com](http://www.grundfos.com)

**GRUNDFOS** 