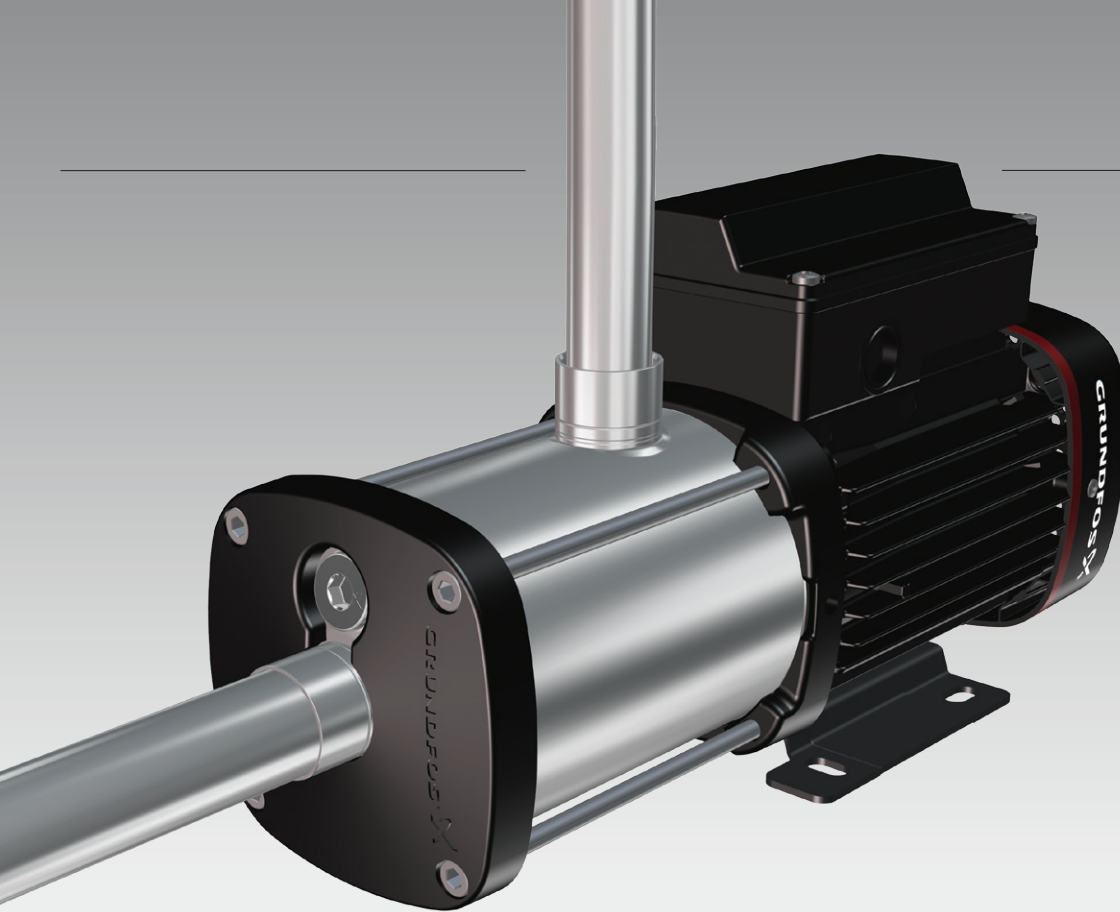


GRUNDFOS INSTRUCTIONS



CM

Self-priming

be think innovate

GRUNDFOS 

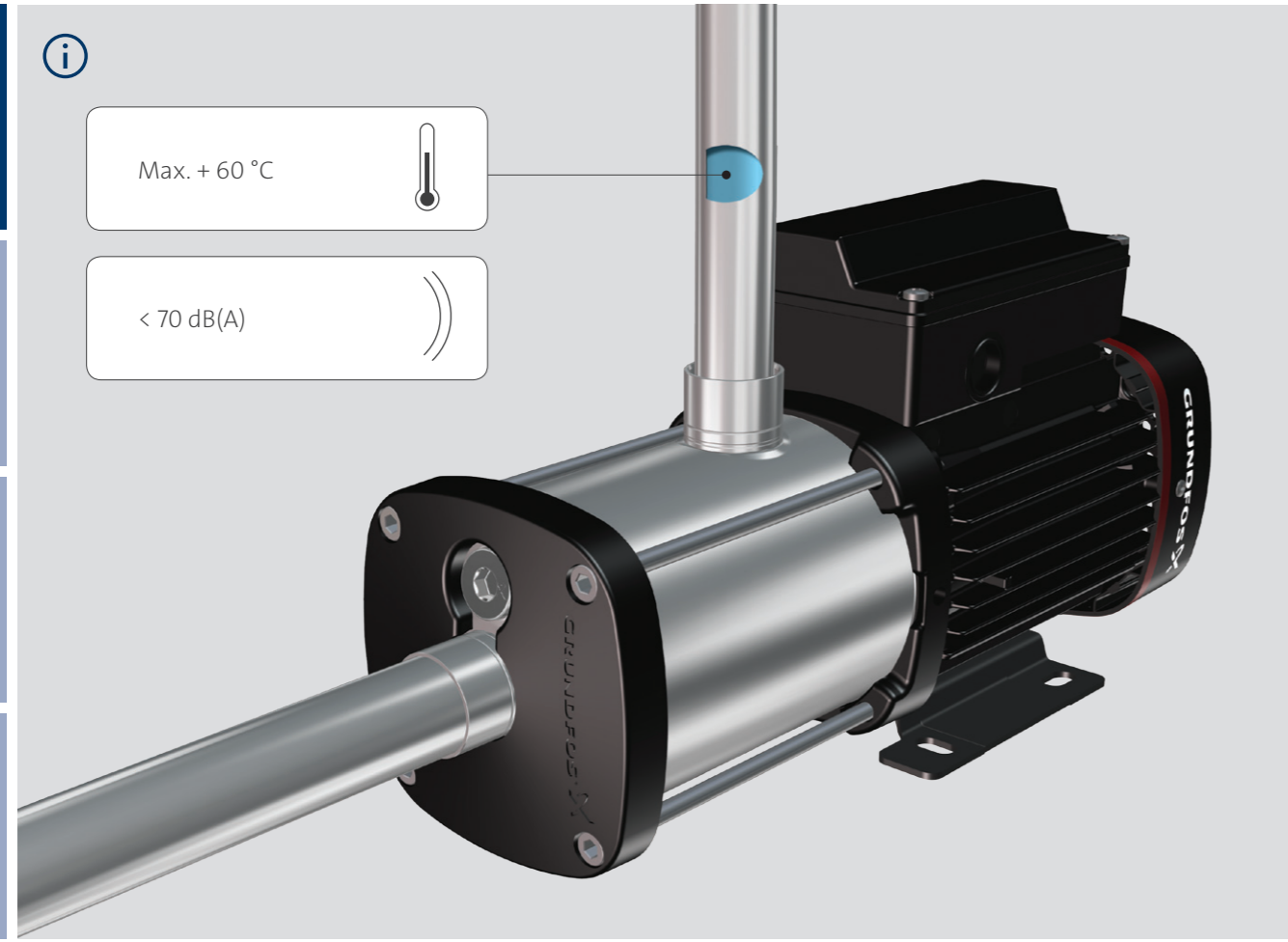


i

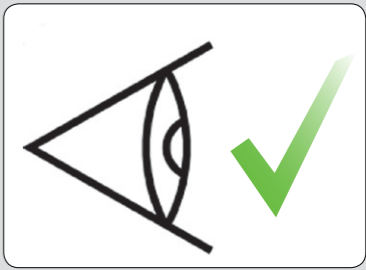
Max. + 60 °C

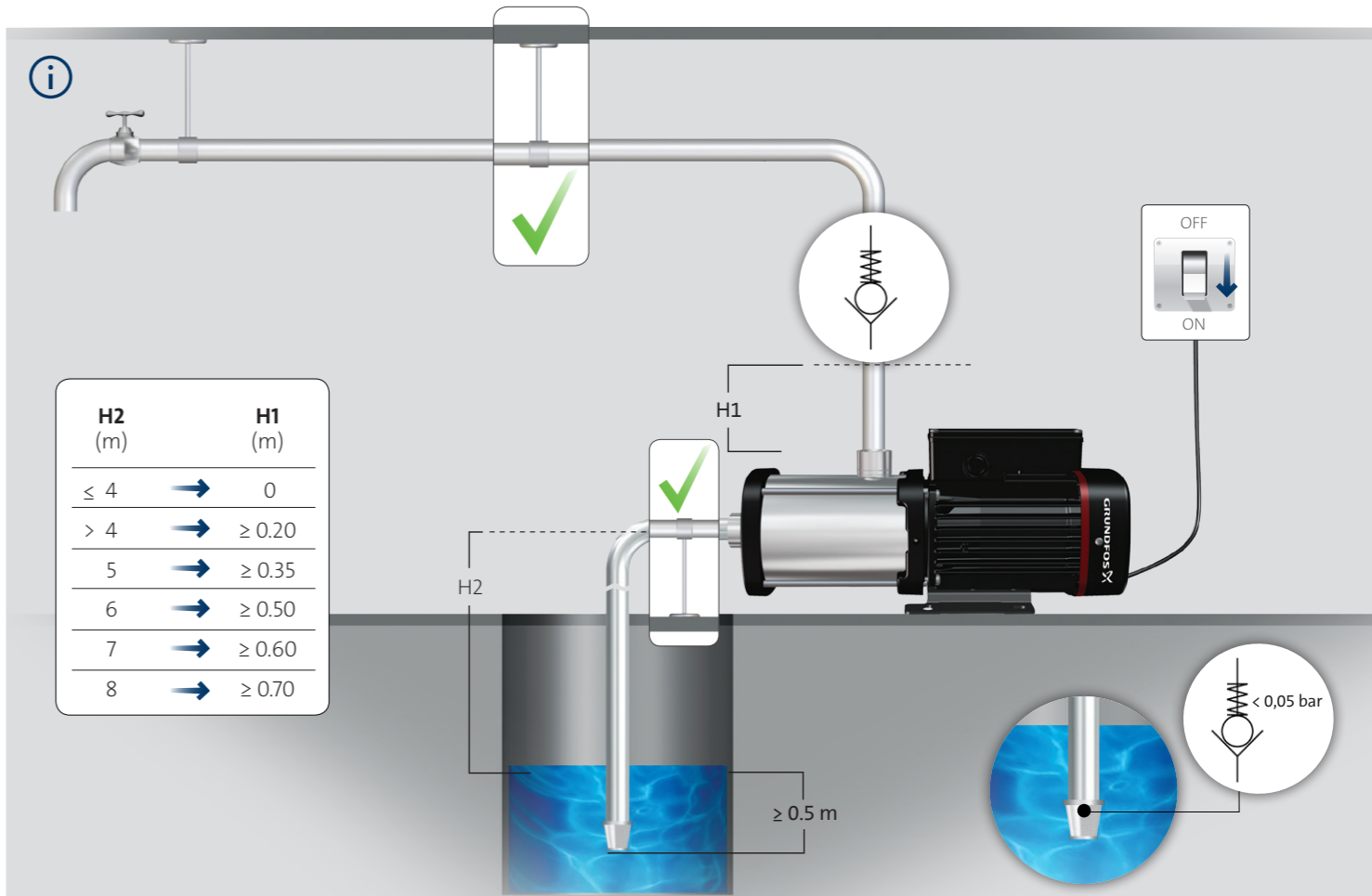
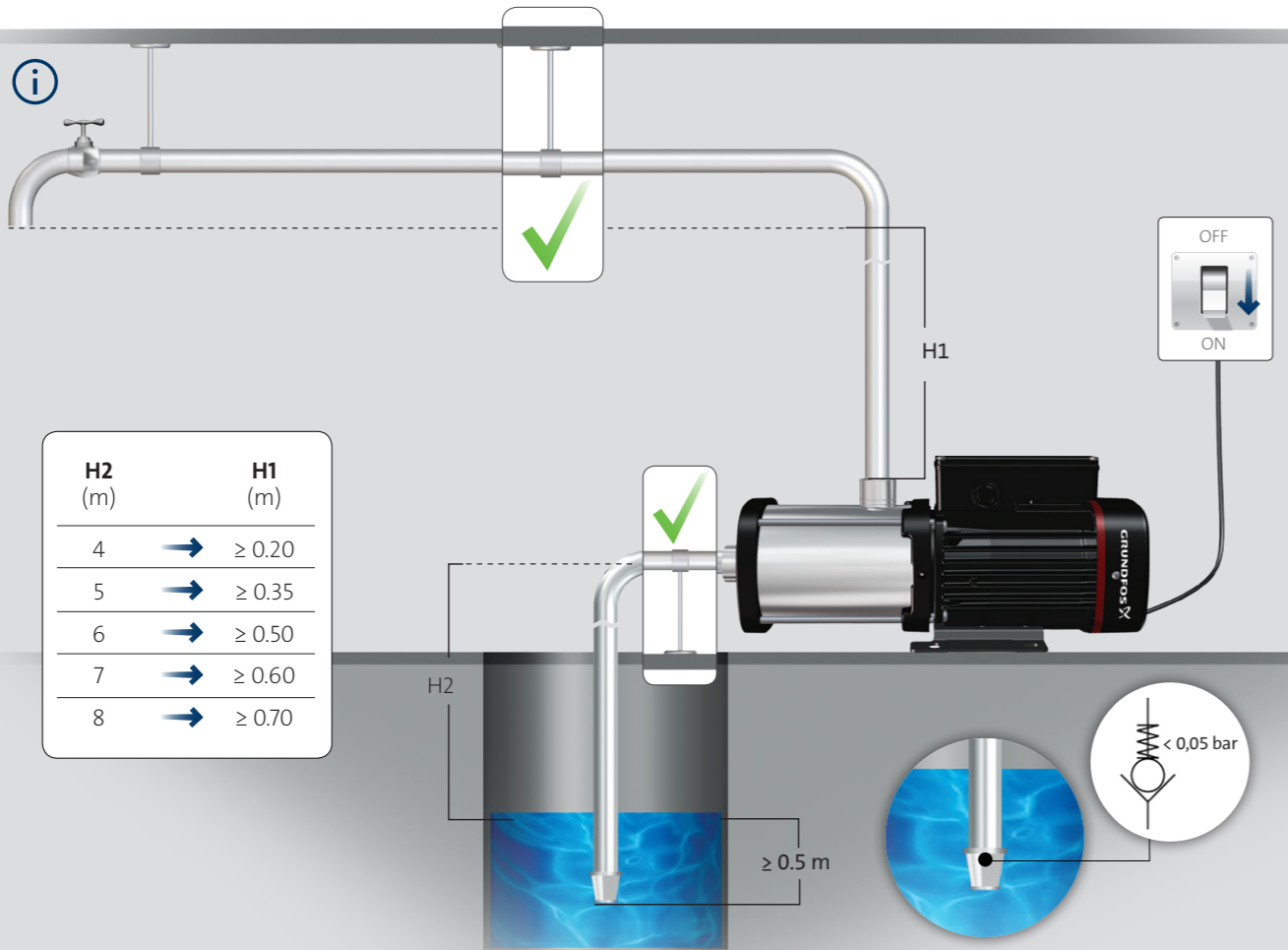


< 70 dB(A)



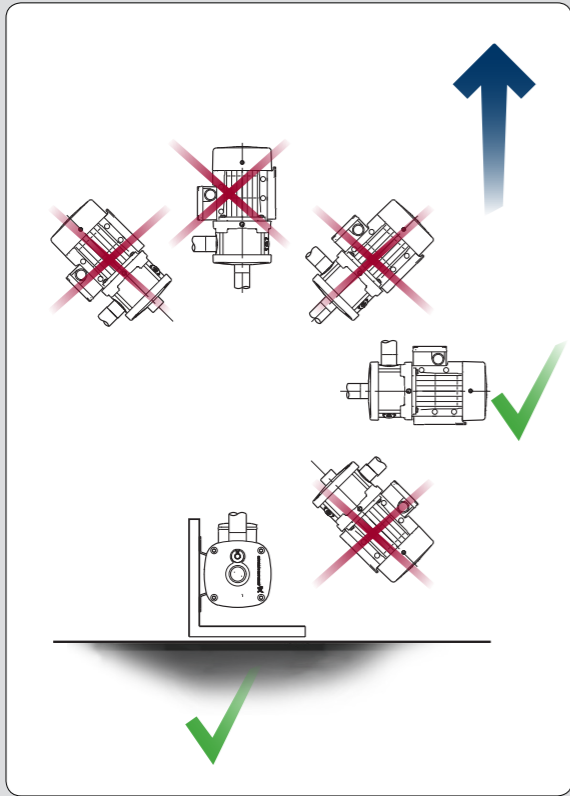
1



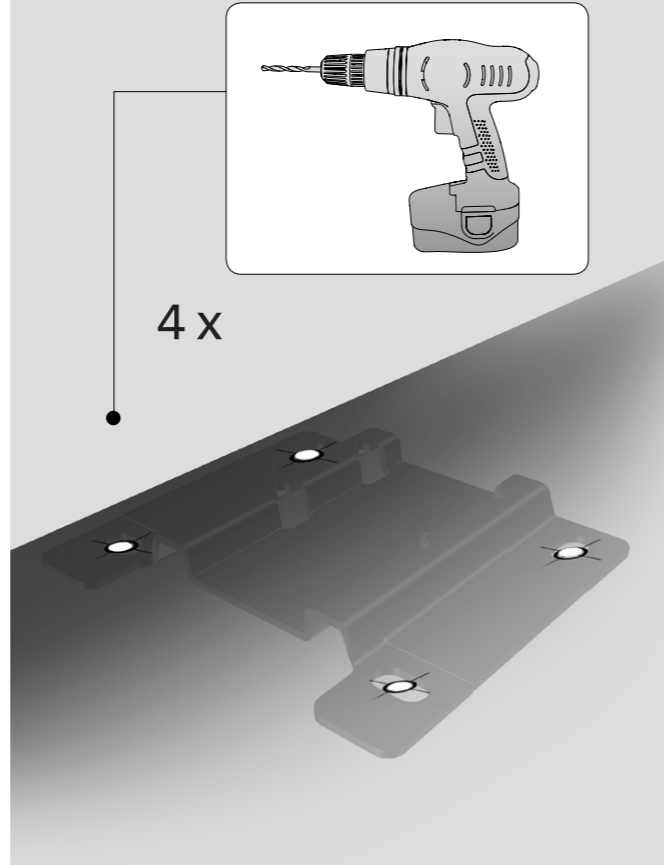




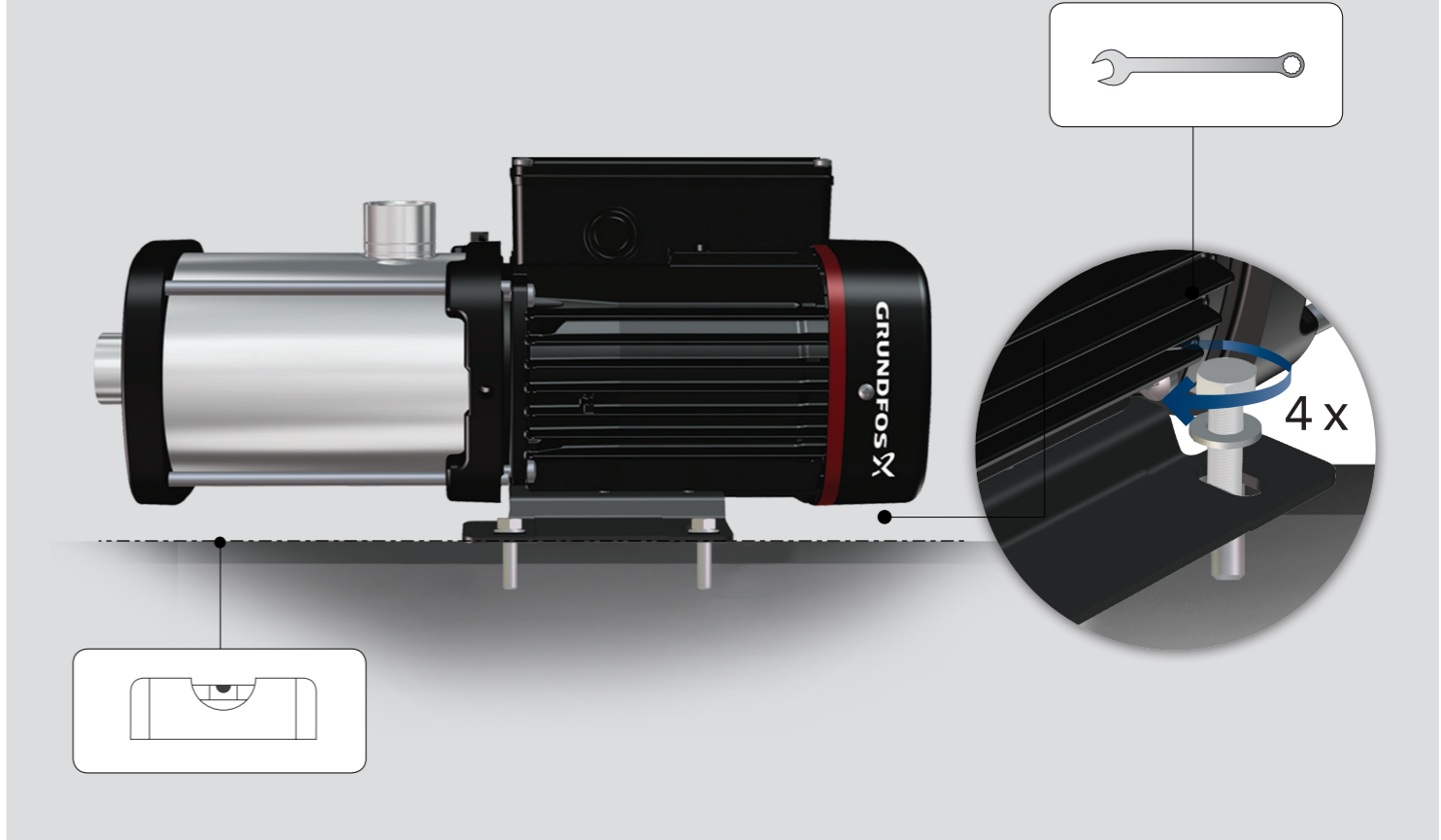
i

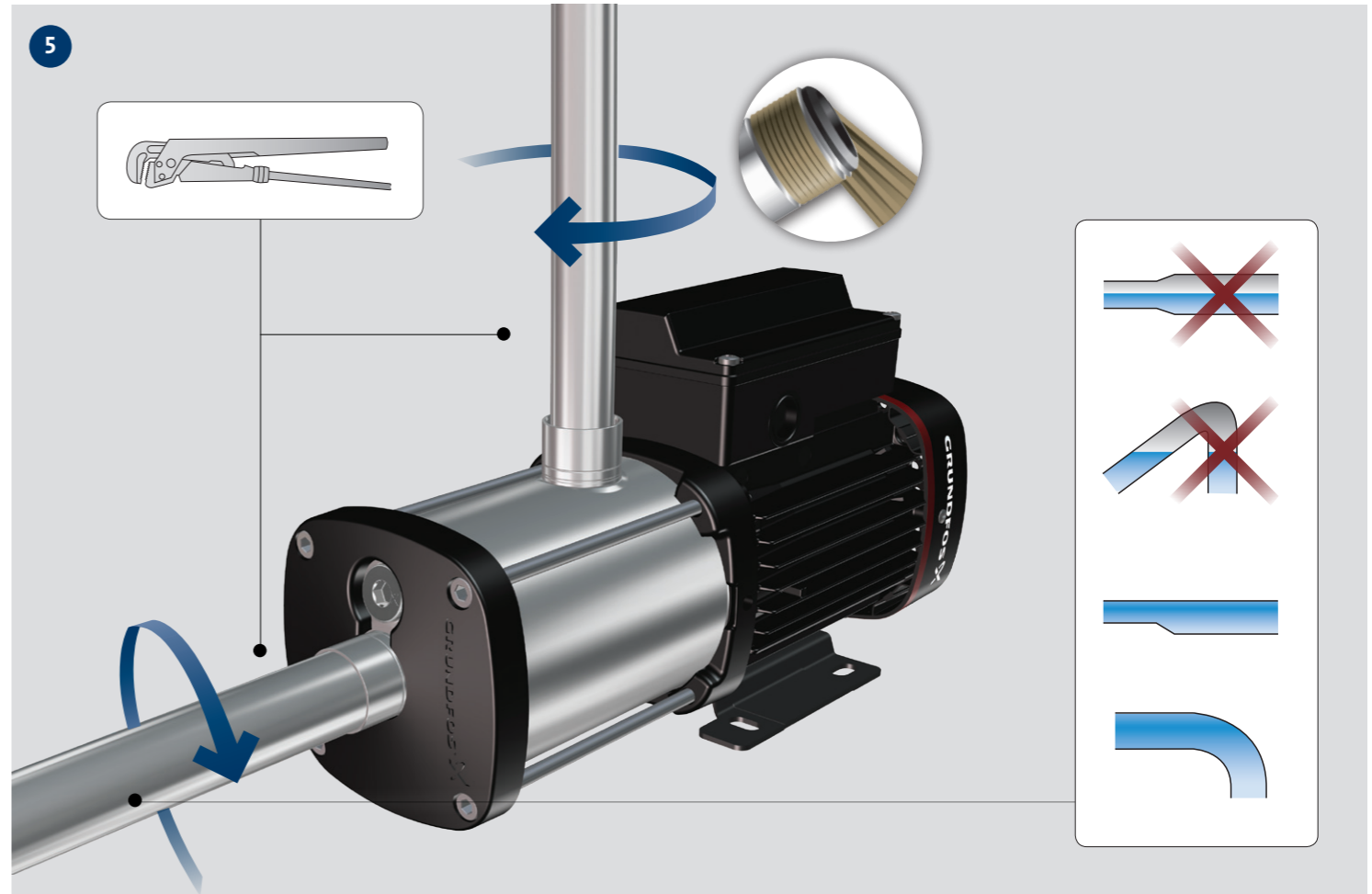
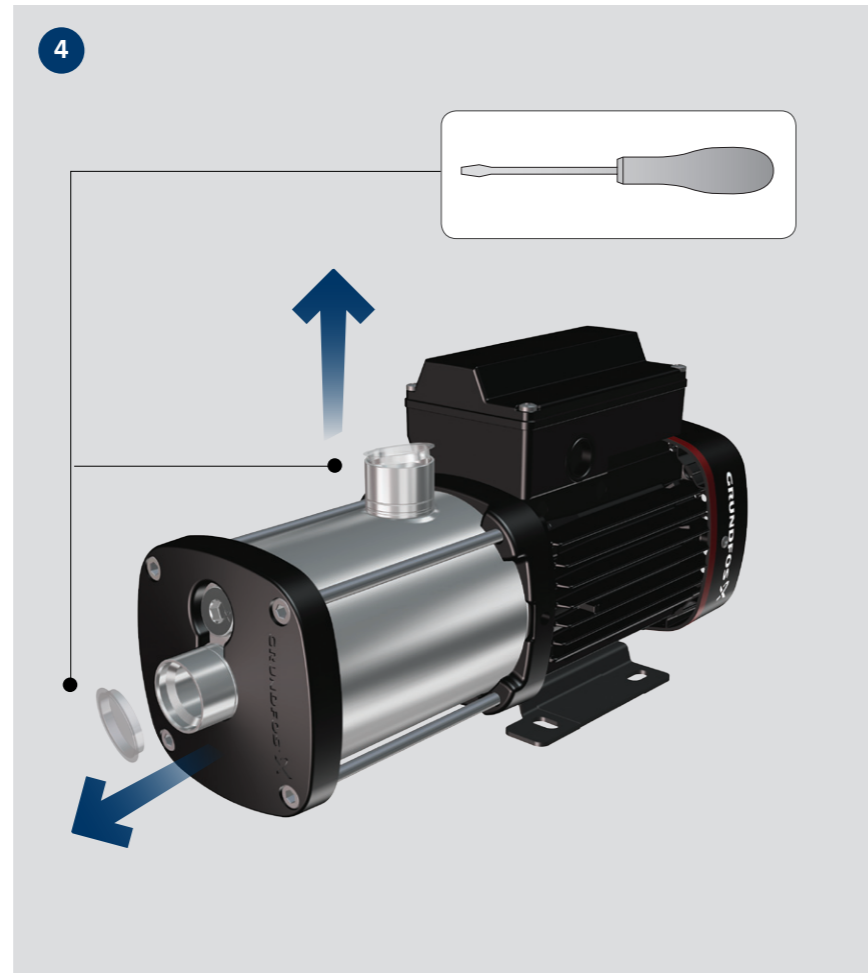
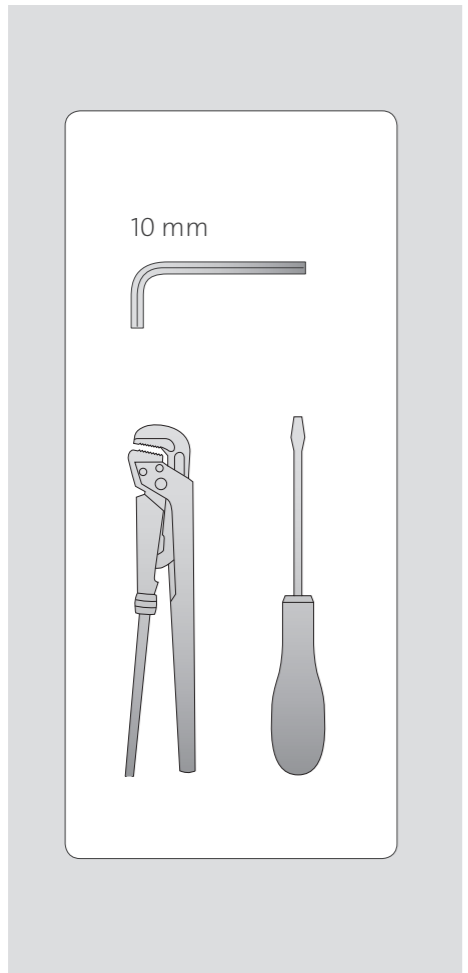


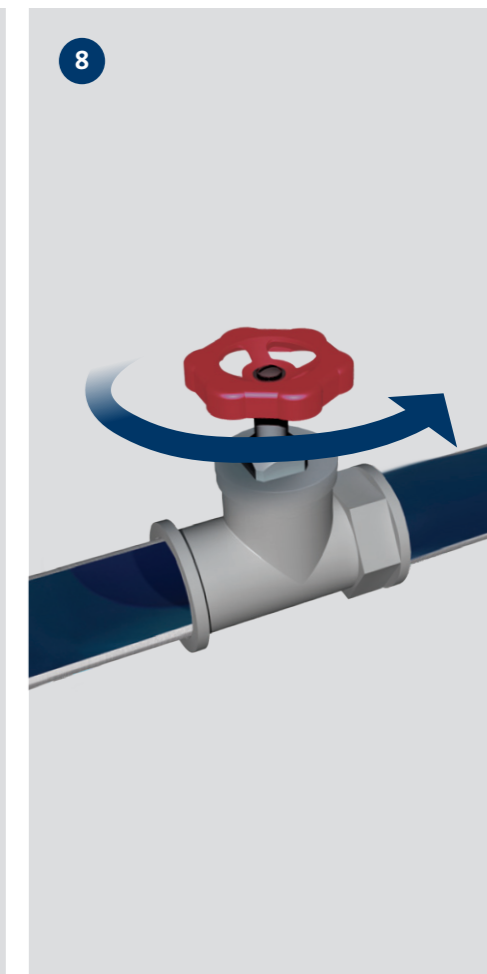
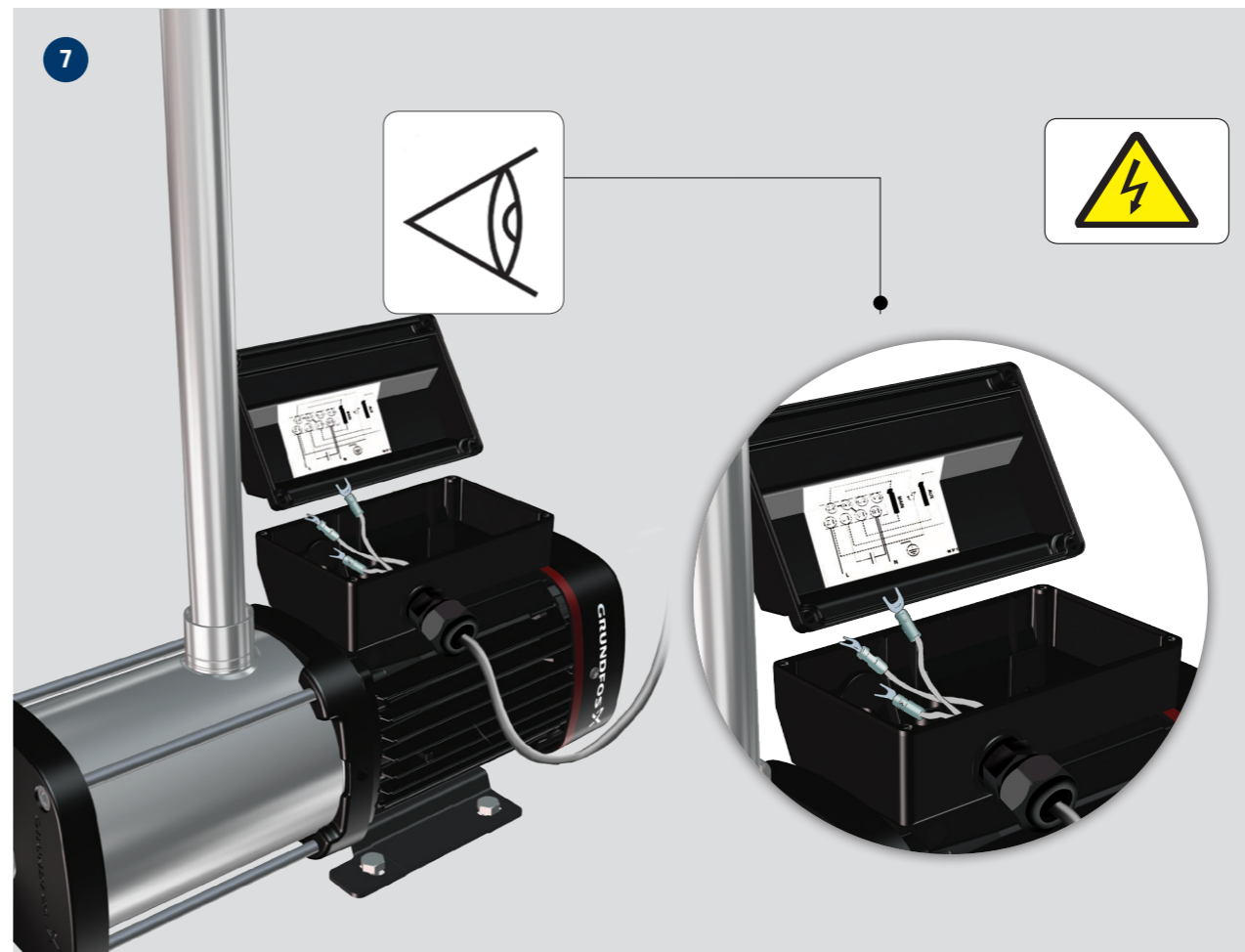
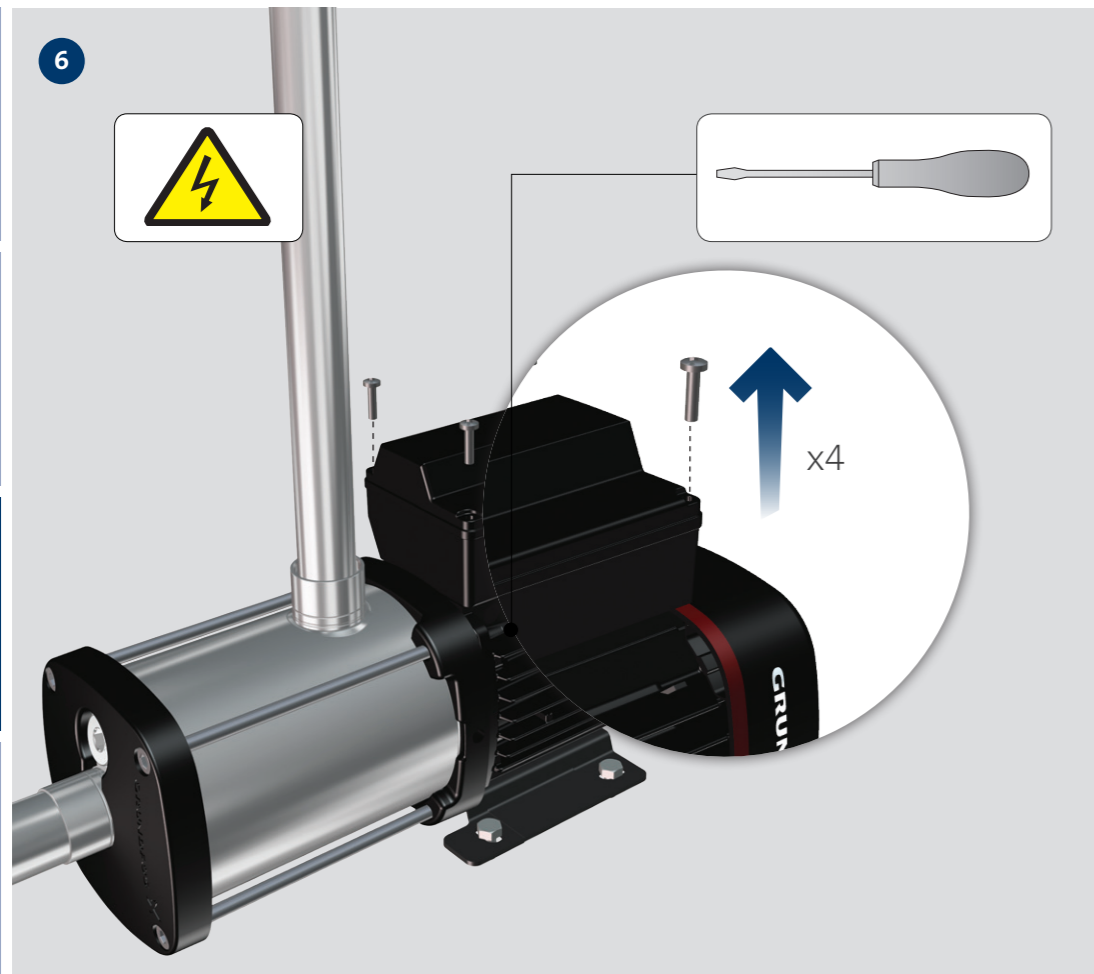
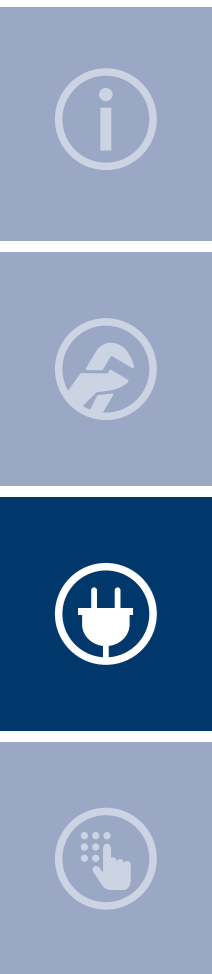
2

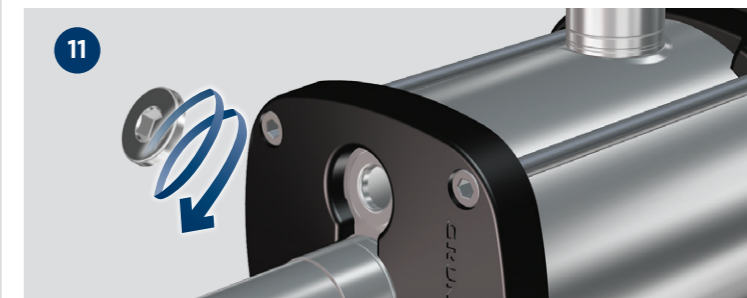
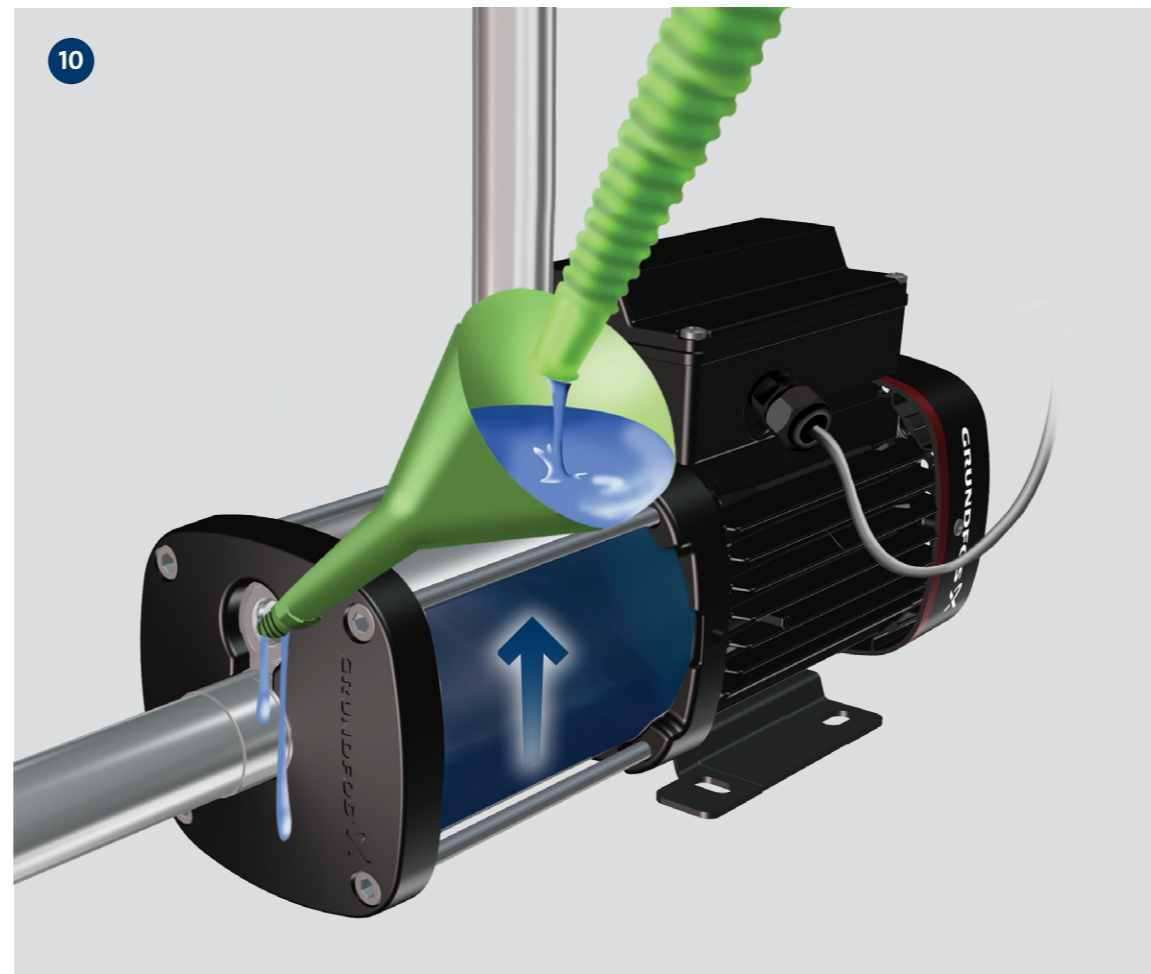
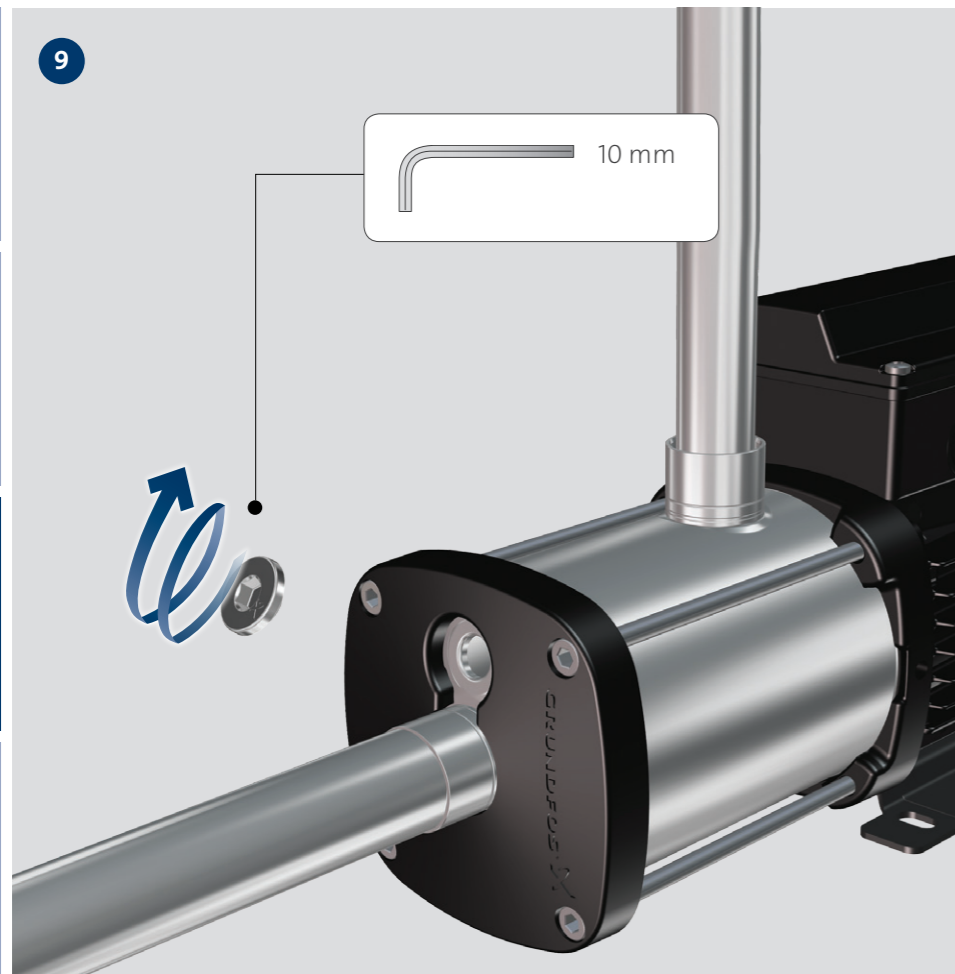
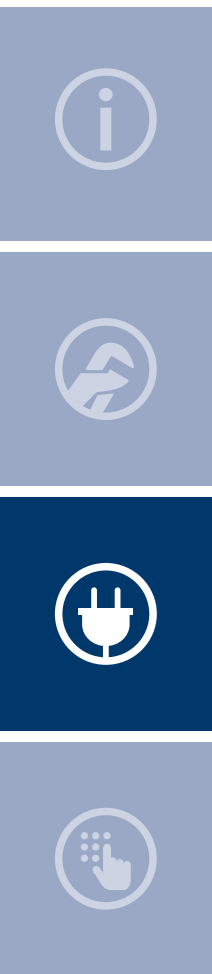


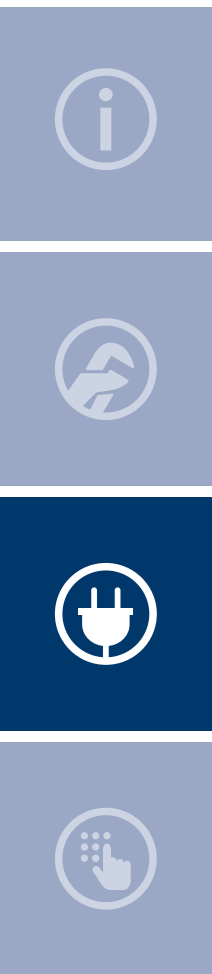
3





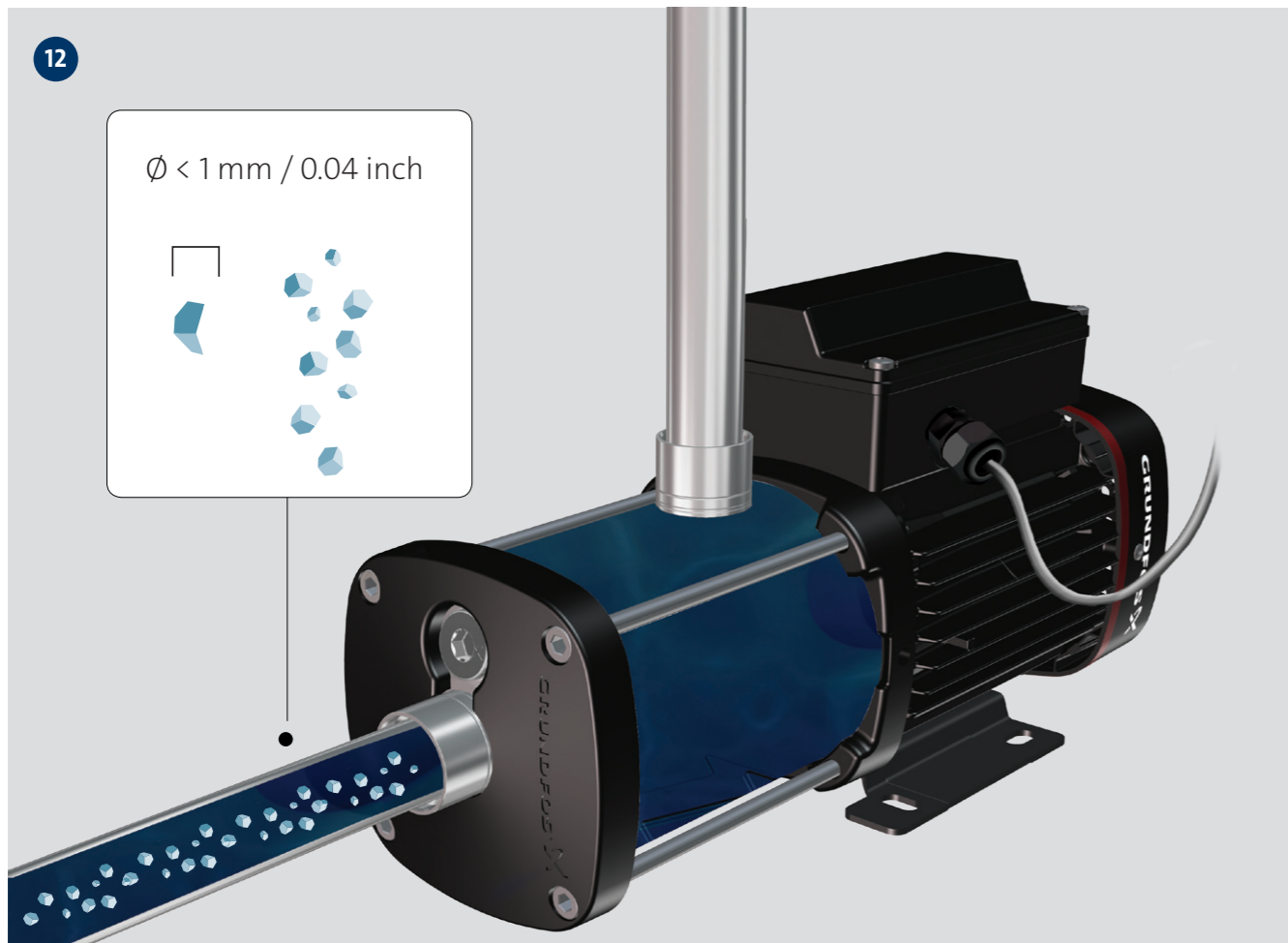






12

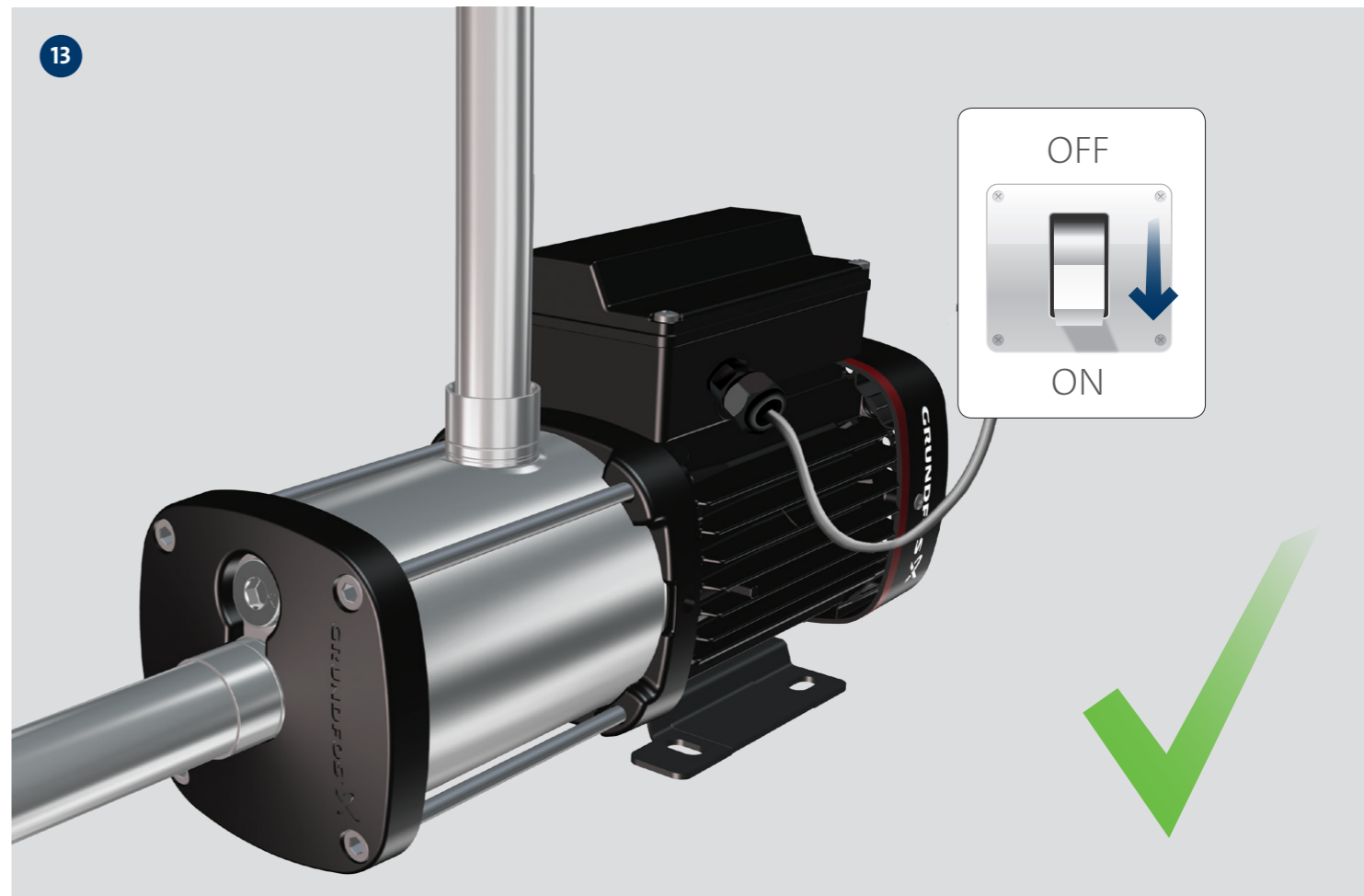
$\varnothing < 1 \text{ mm} / 0.04 \text{ inch}$



13

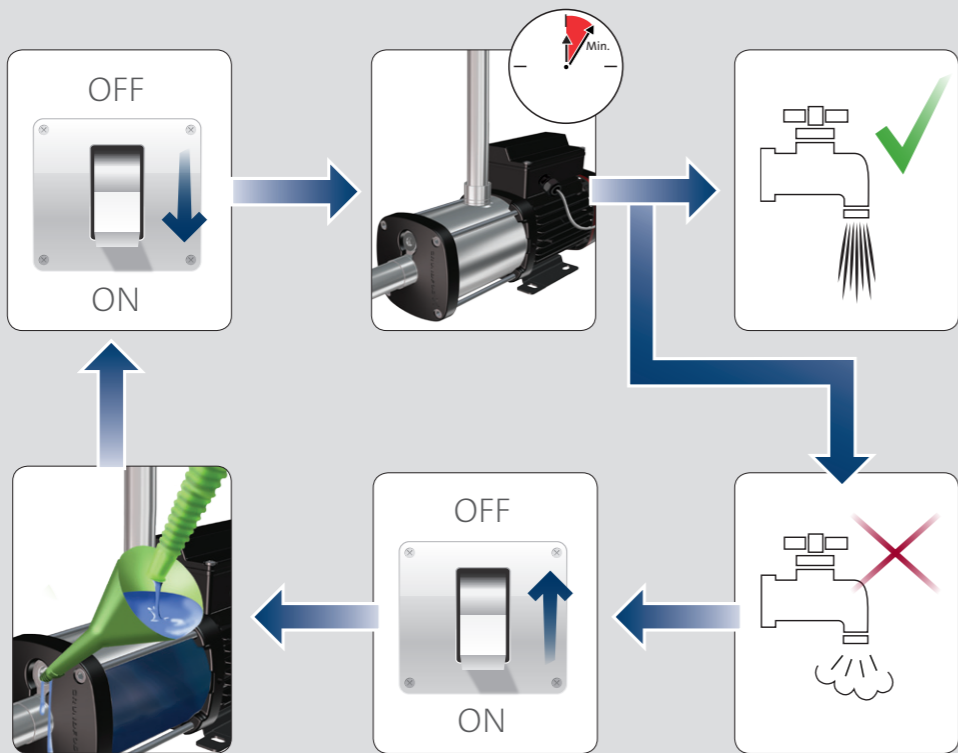
OFF

ON

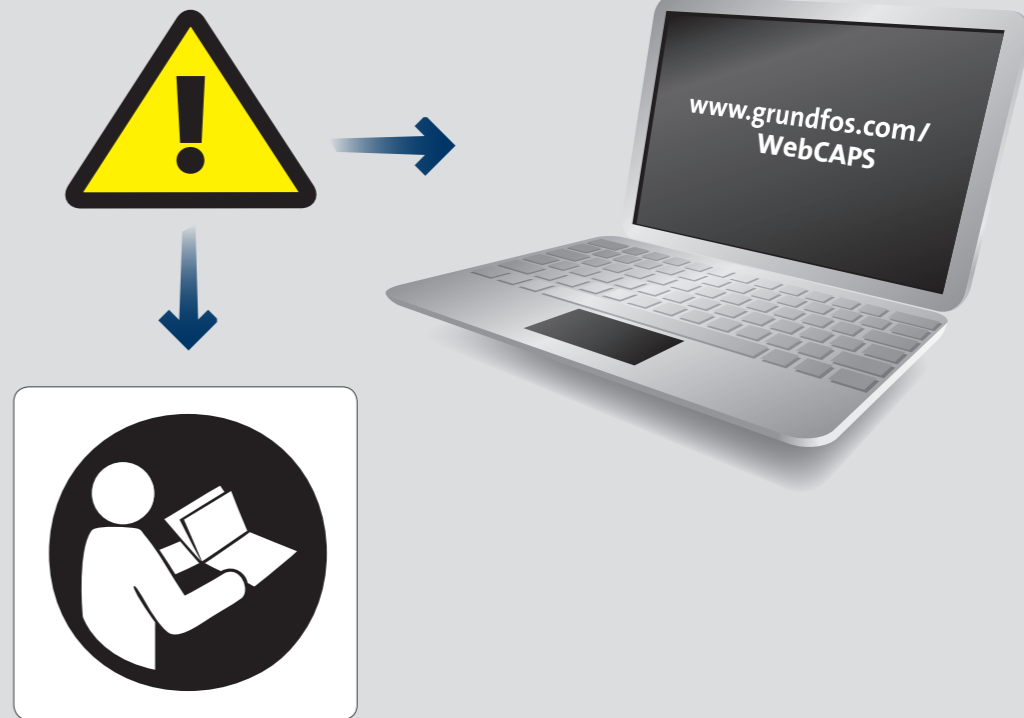




14



i





98503799 0713

ECM: 1116843

be think innovate

GRUNDFOS 

The name Grundfos, the Grundfos logo, and the phrase be think innovate, are registered trademarks owned by Grundfos Holding A/S or Grundfos A/S, Denmark. All rights reserved worldwide.