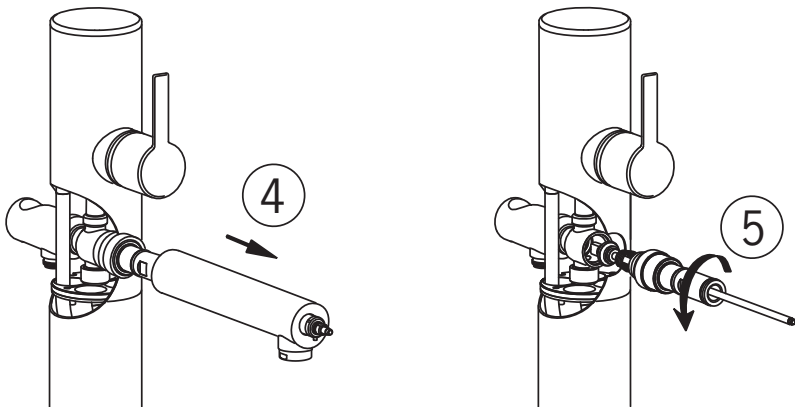
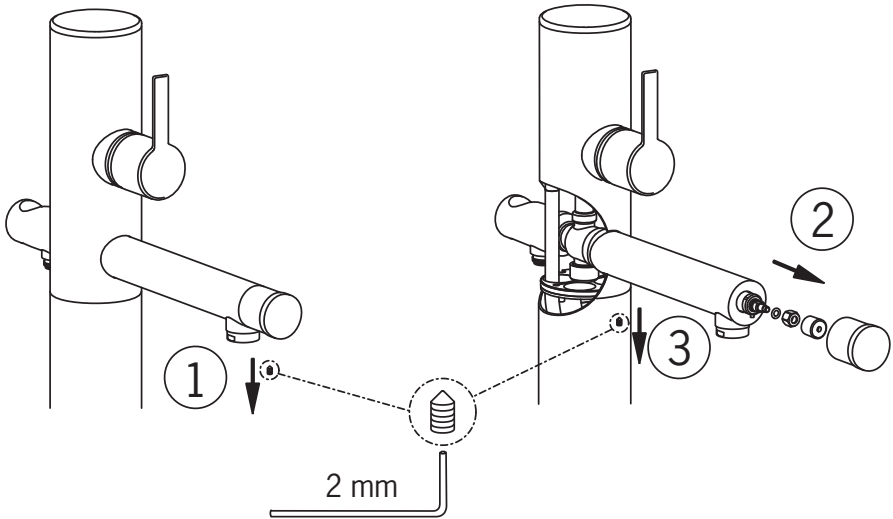


859381V



ILBAGNOALESSI
by 

ORAS LTD
Isometsäntie 2
P.O. Box 40
FI-26101 Rauma
Finland
Tel. +358 (0)2 83 161
Fax +358 (0)2 831 6300
Info.Finland@oras.com



945754/04/06

www.oras.com