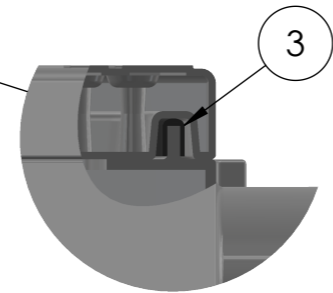
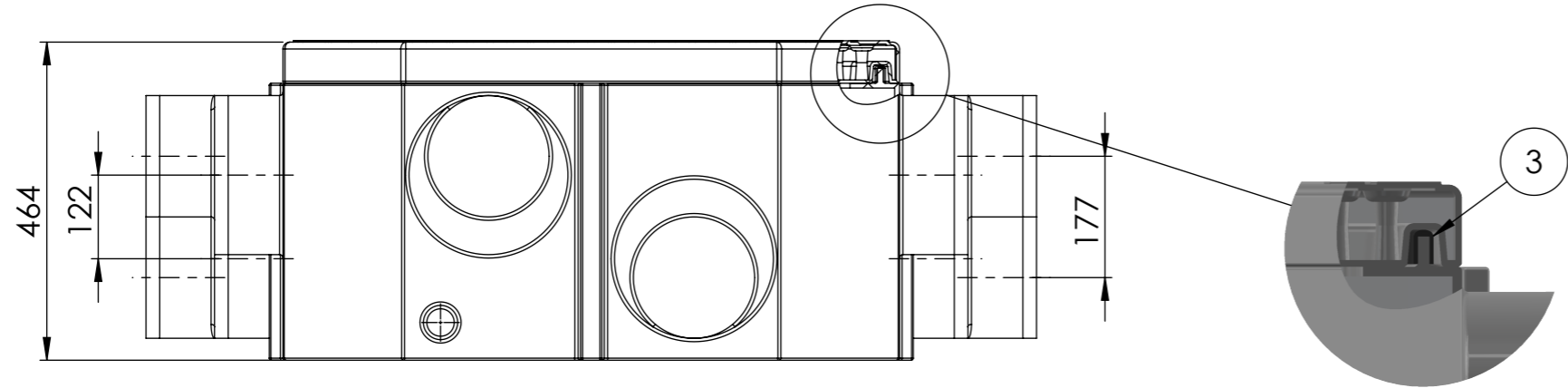


8 7 6 5 4 3 2 1

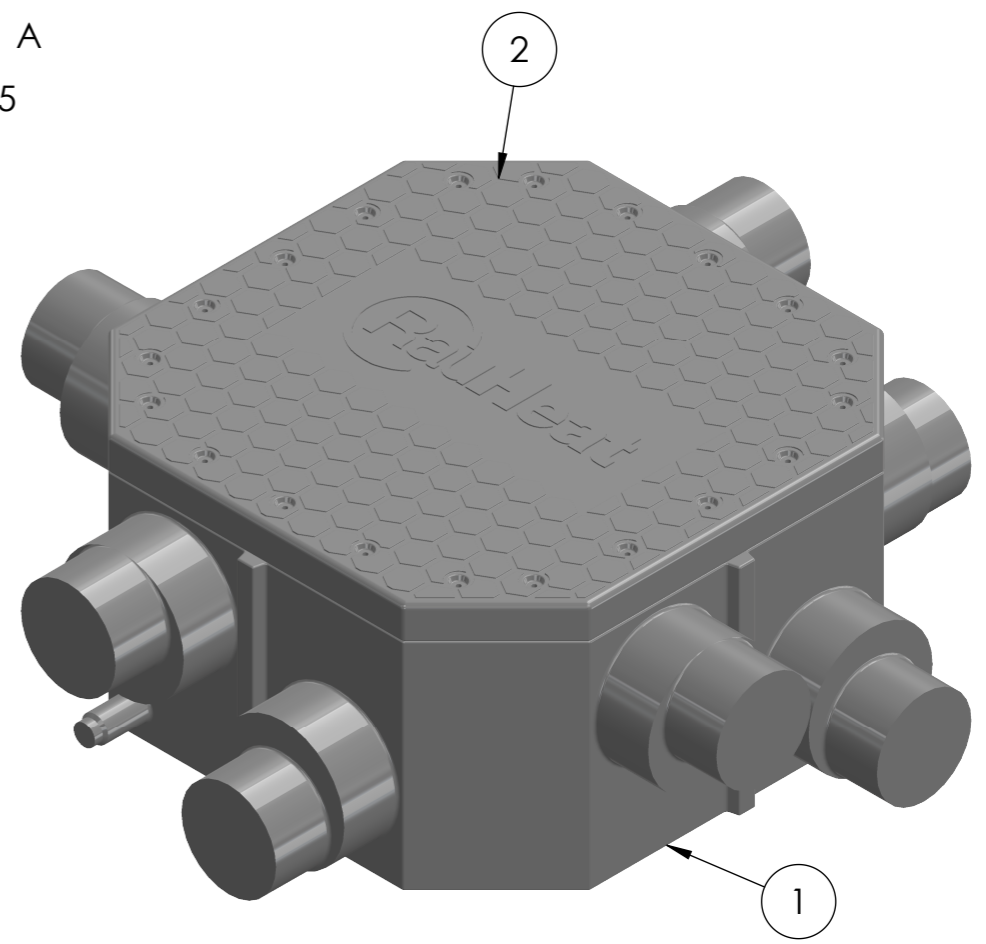
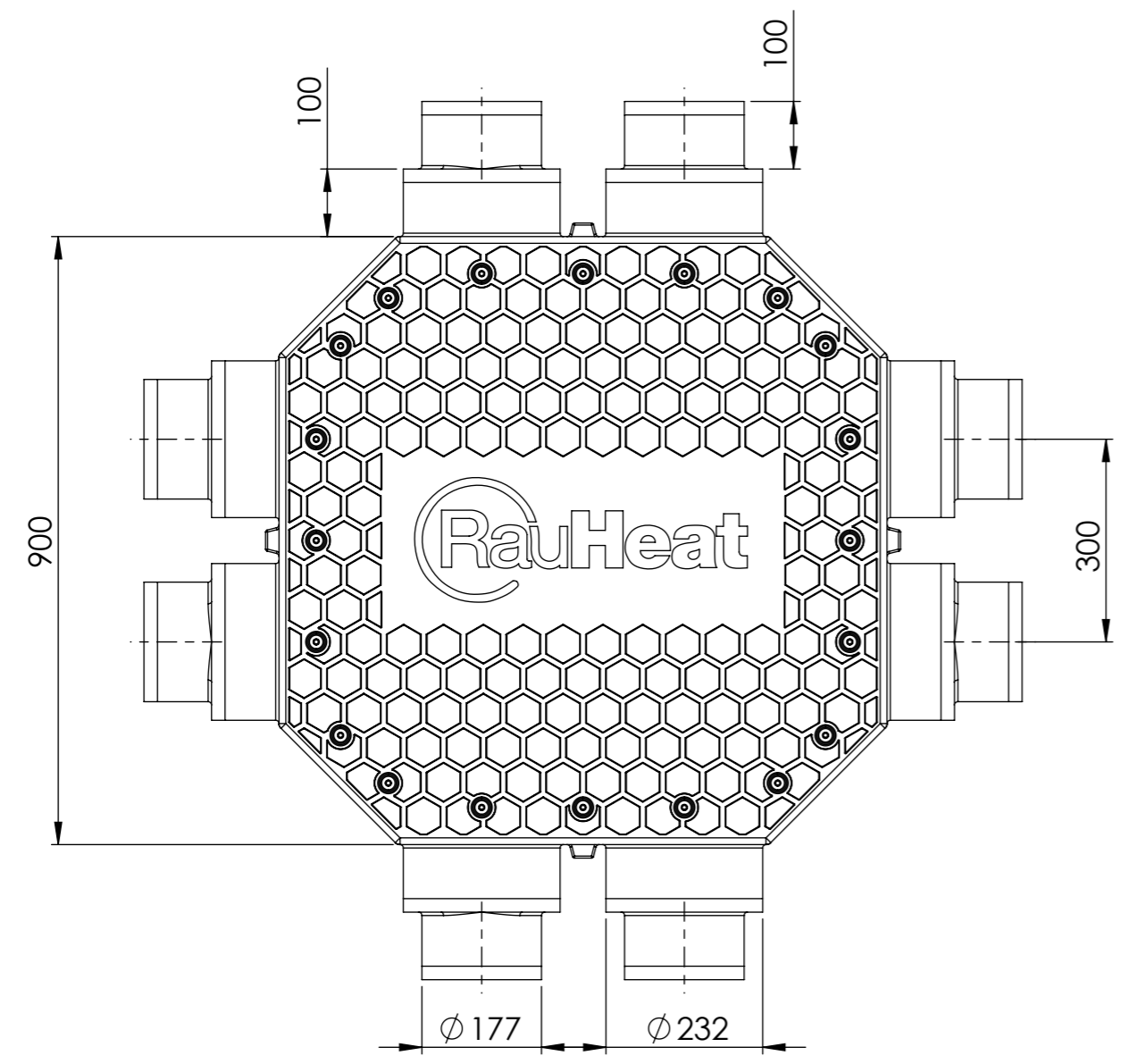
F
E
D
C
B
A

F
E
D
C
B
A

ITEM NO.	DESCRIPTION	QTY.
1	MAXI G2 RUNKO	1
2	MAXI G2 KANSI	1
3	MAXI G2 TIIVISTE	1
4	KANNEN KIINNITYSRUUVIT	20



DETAIL A
SCALE 1 : 5



Tolerance:	Mass 33 kg	Color
	Size / Scale A3 1:10	Material
Description Haaroituskaivo Maxi G2 Low 3011343		

Rev Description Designed By Approved by

8 7 6 5 4 3 2 1