

## Features & Benefits

- Aerodynamic design
- Low sound level
- Large capacity
- Easy to assemble

## Exhaust air unit

The exhaust air units are available in both plastic and metal. They are aerodynamic designed with favourable qualities for both sound level, selfdamping and capacity.



## Specification

Product	Description	Art no
FPH 80 *	Exhaust air unit in plastic with spring fitting	450810
FPH 100	Exhaust air unit in plastic with spring fitting	451010
FPH 125	Exhaust air unit in plastic with spring fitting	451210
FPH 160	Exhaust air unit in plastic with spring fitting	451610
FPH 200 *	Exhaust air unit in plastic with spring fitting	452020
Mounting frame 100	Mounting frame suitable for FPH 100	452001
Mounting frame 125	Mounting frame suitable for FPH 125	452002
Mounting frame 160	Mounting frame suitable for FPH 160	452003
FMLS 80 *	Exhaust air unit with mounting frame, white sheet metal	450815
FMLS 100	Exhaust air unit with mounting frame, white sheet metal	451023
FMLS 125	Exhaust air unit with mounting frame, white sheet metal	451216
FMLS 160	Exhaust air unit with mounting frame, white sheet metal	451617
FRLS 100	Exhaust air unit with mounting frame, stainless sheet metal	451027
FRLS 125	Exhaust air unit with mounting frame, stainless sheet metal	451028
FRLS 160	Exhaust air unit with mounting frame, stainless sheet metal	451034

*These article numbers indicates individually packed products*  
 \* = not a stock-item

# Exhaust air vents

Exhaust air unit

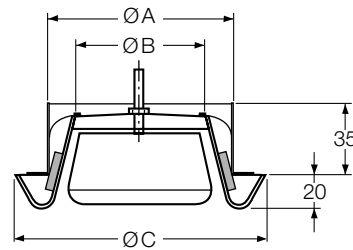
## Description/function

### FPH

Exhaust air unit with adjustable setting of the air flow. FPH is designed for mounting in ceiling or wall and is available in five dimensions for round channel Ø80 - Ø200 mm. Material, recyclable polypropen which is heat resistant up to 100°C. Mounting frame is available as accessory (for dim 100, 125 och 160).



FPH



Dimensions and weight					
Product	A	B	C	D	Weight,kg
FPH 80	80	45	120	55	0,09
FPH 100	100	70	145	55	0,12
FPH 125	125	95	160	55	0,15
FPH 160	160	115	195	55	0,20
FPH 200	200	172	240	55	0,34

### FMLS

Exhaust air unit with adjustable setting of the air flow. FMLS is designed for mounting in ceiling or wall and is available in four dimensions for round channel Ø80 - Ø160 mm.

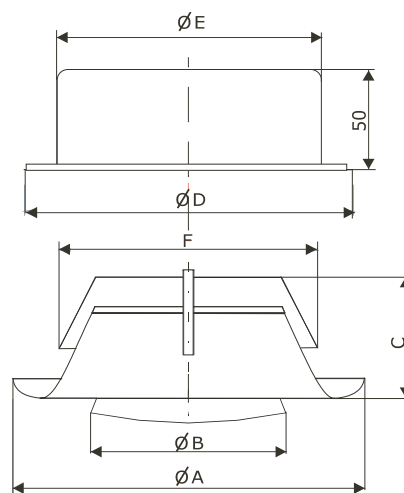
Mounting frame included.

Material, sheet steel, varnished in white



FMLS

TRLS



### FRLS

Exhaust air unit with adjustable setting of the air flow. FRLS is designed for mounting in ceiling or wall and is available in three dimensions for round channel Ø100 - Ø160 mm.

Mounting frame included.

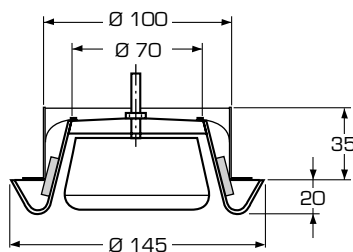
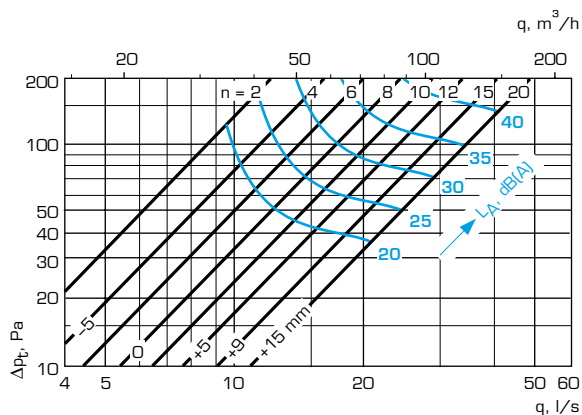
Material, stainless sheet metal



### Dimensions FMLS, FRLS

Product	A	B	C	D	E	F
F-LS 80	115	61,5	40	105	79	77,5
F-LS 100	138	75	42	125	99	97,5
F-LS 125	164	99	46	150	124	122,5
F-LS 160	211	129	54	185	159	157,5

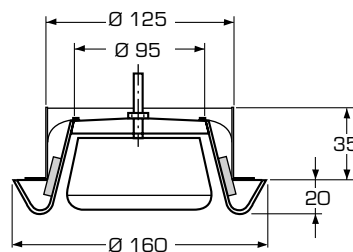
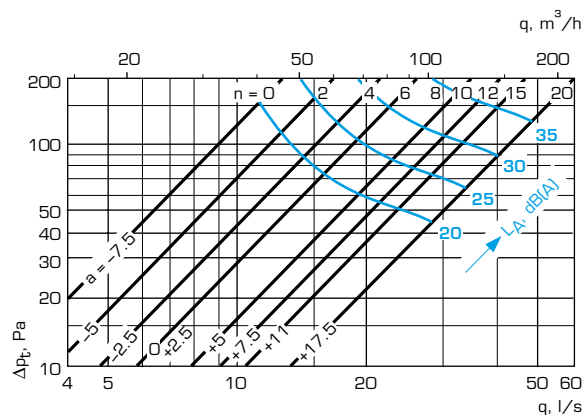
### FPH 100



#### Dimensions and weight

Product	A	B	C	D	Weight,kg
FPH 100	100	70	145	55	0,12

### FPH 125



#### Dimensions and weight

Product	A	B	C	D	Weight,kg
FPH 125	125	95	160	55	0,15

Model	Sound power level. Correction of sound level in dB at							
	63 Hz	125 Hz	250 Hz	500 Hz	1000 Hz	2000 Hz	4000 Hz	8000 Hz
100	-7	-6	-6	-4	-2	-1	-4	-11
125	-6	-5	-3	-4	-2	-1	-4	-13

Model	Sound attenuation. Correction of sound level in dB at							
	63 Hz	125 Hz	250 Hz	500 Hz	1000 Hz	2000 Hz	4000 Hz	8000 Hz
100	22	21	15	13	11	10	6	9
125	21	19	13	11	10	10	7	9

Model	Adjustment. K-factor							$q = k \sqrt{\Delta p_m}$ (l/s) (Pa)
	a, mm	-7,5	-5	0	+5	+10	+15	
100	k-factor	0,83	1,09	1,46	2,00	2,28	2,69	
125	k-factor	0,85	1,11	1,63	2,15	2,41	3,45	