

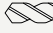



DE Montageanleitung
EN Installation Instruction
FR Mode d'emploi
NL Montagehandleiding
IT Istruzioni per l'installazione
ES Instrucciones de uso
PT Instruções de utilização
DA Installationsvejledning
SV Installationsinstruktioner
NO Installasjonsveiledning
FI Asennusohjeet

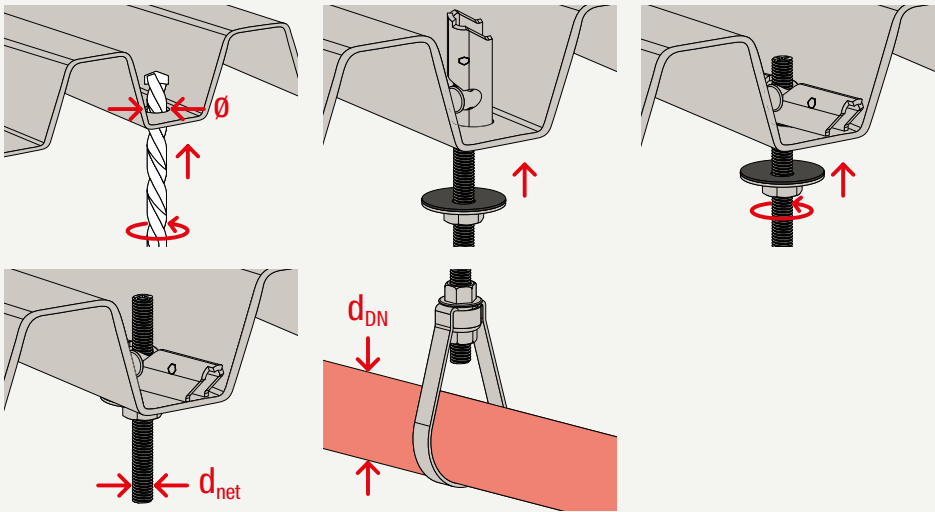
PL Instrukcja instalacji
CS Návod k instalaci
SK Návod na používanie
HU Szerelési útmutató
RO Instrucțiuni de utilizare
SL Navodila za namestitvev
HR Upute za instalaciju
SR Uputstvo za instalaciju
BS Instalacijski vodič
SQ Udhëzimet e montimit
TR Kurulum talimatları

EL Οδηγίες Εγκατάστασης
HE הבכרה תוארה
BG Инструкции за инсталиране
RU Инструкция по установке
UK Інструкція з використання
HI ऑपरेटिंग निर्देश
ZH 使用说明书
JA 取扱説明書
KO 사용 설명서
TH คำแนะนำการขุดรู
VI hướng dẫn lắp ráp
AR تعليمات الاستخدام

KDS

Item	Item No.	For sprinkler pipes acc. to VdS		For sprinkler pipes acc. to FM			Permitted tensile load according to VdS and FM for use on trapezoidal sheet metal with a material thickness $\geq 0,63\text{mm}$	Permissible tensile load for non-VdS and FM-relevant applications on trapezoidal sheet metal*
		d_{DN}	d_{net}		d_{DN}			
KDS 8x100	563859	$\leq \text{DN } 50 (2")$	M8	-	-	22	0,8	1,0
KDS 8x200	563860	$\leq \text{DN } 50 (2")$	M8	-	-	22	0,8	1,0
KDS 8x300	563861	$\leq \text{DN } 50 (2")$	M8	-	-	22	0,8	1,0
KDS 8x500	563862	$\leq \text{DN } 50 (2")$	M8	-	-	22	0,8	1,0
KDS 10x100	563863	$\leq \text{DN } 50 (2")$	M10	DN 20 - DN 40 ($\frac{3}{4}" - 1 \frac{1}{2}"$)	M10	25	0,8	1,0
KDS 10x200	563864	$\leq \text{DN } 50 (2")$	M10	DN 20 - DN 40 ($\frac{3}{4}" - 1 \frac{1}{2}"$)	M10	25	0,8	1,0

* Consider the permissible load capacity of the trapezoidal sheet.



fischerwerke GmbH & Co. KG
 Klaus-Fischer-Straße 1
 72178 Waldachtal
 Germany

Tel. +49 7443 12 - 0
 Fax +49 7443 12 - 4222

info@fischer.de
www.fischer-international.com