

Thread hanger RAH

TECHNICAL DATA



Thread hanger RAH

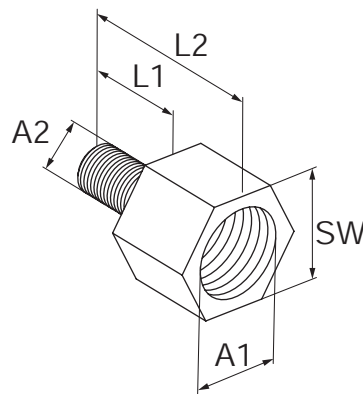
PROPERTIES

- **Material:** malleable cast iron GJMB 350-10 acc. to DIN 1562
- **Zinc plating:** electro zinc-plated, 3 - 8 μm

Item	Art.-No.	Thread	Eye- \emptyset	Max. recom. static load (centr. tension) $N_{\text{recom.}}$ [kN]	Sales unit [pcs]
		A	D [mm]		
RAH M 8	079698	M 8	12.0	4.00	50
RAH M 10	079699	M 10	12.0	4.00	50

Reduction piece RD

TECHNICAL DATA



PROPERTIES

- **Material:** 1.1SMnPb30 (material no. 1.0718) acc. to DIN EN 10087
- **Zinc plating:** electro zinc-plated, 3 - 8 μm

Reduction piece RD

Item	Art.-No.	Internal thread	External thread	Length L_1	Length L_2	Width across nut	Sales unit [pcs]
		A1	A2	[mm]	[mm]	\emptyset SW [mm]	
RD M 6 / M 8	079694	M 6	M 8	8,5	20	13	100
RD M 8 / M 6	020936	M 8	M 6	7	19	13	100
RD M 10 / M 8	079692	M 10	M 8	8	23	13	50
RD M 12 / M 10	079693	M 12	M 10	10	25	17	100
RD M 12 / M 16	504397	M 12	M 16	14	32	19	50
RD M 16 / M 12	504399	M 16	M 12	10	32	24	50
RD 1/2" / M10	079695	1/2"	M 10	10	29	24	10
RD M 16 / M 12 long	538080	M 16	M 12	25	46.5	24	10
RD 1/2" / M10 long	537215	1/2"	M 10	20	39	24	10
RD 3/4" / M 12 long	537213	3/4"	M 12	25	46.5	30	10
RD 3/4" / M 16 long	537214	3/4"	M 16	25	46.5	30	10