

How to re-hand a Saffire LX-M / LZ-M

You will need:

To take a Left Hand lock & convert to Right Hand:

- 504132-K-630-K – Right Hand Strike (Satin Chrome)
- 118-515504-6R – Right Hand Cassette
- PK2907 – Right Hand Privacy Sticker

To take a Right Hand lock & convert to Left hand:

- 504131-630-K – Left hand Strike (Satin Chrome)
- 118-515504-6L - Left Hand Cassette
- PK2906 – Left Hand Privacy Sticker

1) Take the inside trim



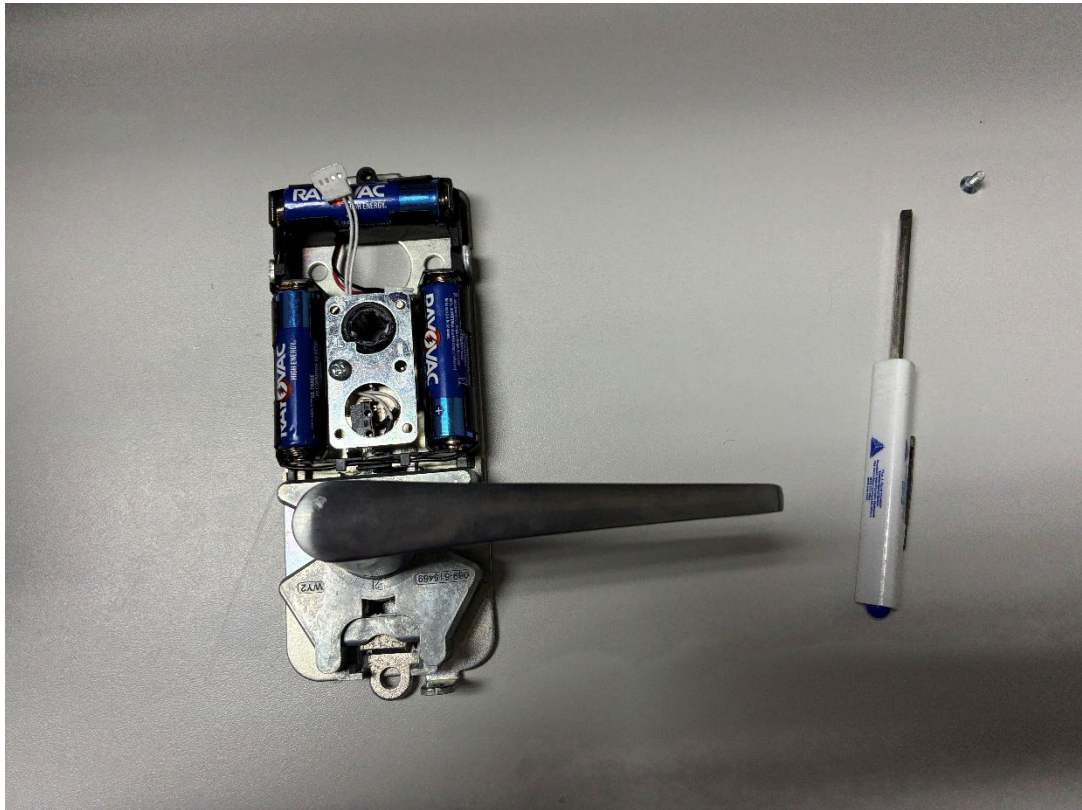
2) Flip over & remove these two screws



3) Remove current Cassette



4) Replace with new Cassette



5) Replace Screws



6) [Re-Hand Mortise Body](#)



7) Before re-installing on Door, make sure spindle hub on outside trim is in correct position

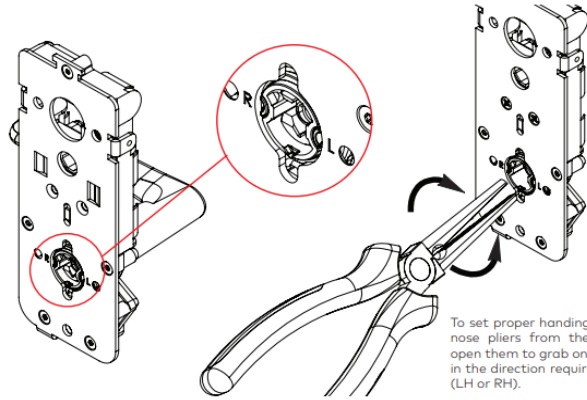


For LH Locks notch on hub should be at 12 O’Clock position, pointing to L
For RH Locks notch on hub should be at 3 O’Clock position, pointing to R

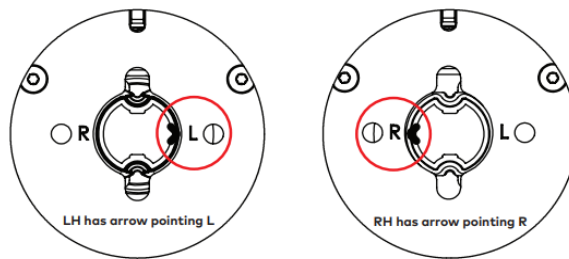
8) Make sure inside trim has lever in correct position:

- Remove Snap-Holder
- Rotate Lever to 6 O’Clock position & pull out (Make sure not to lose inside lever bushing & compression spring)

---Continued on next page---



RIGHT HAND OF LEFT HAND SELECTION



- Re-install inside lever following directions on page 11 of [install manual](#)



9) Make sure correct "Privacy Sticker" is applied. (Arrow should be pointing away from strike. See part numbers on page 1, or 062-510820-G = 1qty of ea L & R stickers)

10) Install correct strike on frame