

STANDARD / LT / WT / LGP



Road & Highway

Construction

Landfill

Forestry

Foundry

Quarry

# TD-14 / TD-15 / TD-20

MID-SIZE CRAWLER DOZERS



# Engineered for productivity and precision

When your business relies on equipment that is durable, productive and backed up by a global network – you can rely on Dressta. Over its nearly 70 year history, Dressta has developed a reputation for productive equipment tailored to the needs of its hardworking customers.

Dressta's mid-size dozers have the muscle and finesse to get the job done quickly and efficiently.

Operator comfort, ease of serviceability and productivity are at the heart of their design, while outstanding power, agility and precision deliver the right performance at any job site.

Dressta mid-size dozers come loaded with features that deliver *total lifetime value*:

1. Powerful Cummins engines that deliver impressive power for efficient dozing and ripping.
2. Unique 2-Speed steering drive for continuous transfer of 100% engine power to both tracks for better load retention in turns.
3. Low drive track system allowing stability on slopes and excellent manoeuvrability in full power gradual turns.
4. Trimble options to improve productivity, maximize performance and enable pinpoint accuracy.
5. Travel speed preselection and automatic down-shifting mode for greater operator efficiency.
6. Exceptional all-round visibility, with clear line of sight to blade corners.
7. Ergonomically designed cab with deluxe seat, large LCD display, A/C, sound suppression and responsive controls for comfort, command and ease of operation.
8. Rugged undercarriage design for maximum durability and smooth, stable operation.
9. Highly efficient cooling system suitable for all climate conditions.
10. Able to operate in ambient temperatures from -50°C to +50°C.
11. Lifetime lubricated rollers and heavy duty chains and idlers for greatly extended track life, lower operating costs and maximum productivity.
12. High drawbar pull thanks to reliable mechanical transmission and steering drive clutches, providing 6F / 6R travel speeds.

13. Modular power train design and easily accessible diagnostic check ports, filters and sight gauges for excellent serviceability.
14. FOPS and 2-post ROPS certified cab, guaranteeing a safer environment for the operator.







## **TD-14**

### **OPERATING WEIGHT**

16,100 kg (35,494 lb) –

16,570 kg (36,530 lb)

### **HORSE POWER (NET)**

120 kW (160 Hp)

## **TD-15**

### **OPERATING WEIGHT**

20,660 kg (45,547 lb) –

20,760 kg (45,768 lb)

### **HORSE POWER (NET)**

142 kW (190 Hp) –

150 kW (201 Hp)

## **TD-20**

### **OPERATING WEIGHT**

24,200 kg (53,352 lb) –

24,250 kg (53,462 lb)

### **HORSE POWER (NET)**

179 kW (240 Hp) –

195 kW (261 Hp)



# Designed for command and control

Controllability equals productivity.

Dressta mid-size dozers deliver precise and predictable control with outstanding pushing power.

The TD14, TD15 & TD20 set the standards for others to follow and are a result of Dressta's experience in designing highly efficient and productive crawler dozers.

Key design features range from optimization of weight distribution to modular construction, a one-piece main frame, and a 3-point track mounting system.

The machine weight is perfectly matched to its power for unbeatable traction and unrivalled drawbar pull, so you can rip and move more material per hour.

## WORK YOUR WAY - BETTER BLADE CONTROL & FASTER OPERATING SPEEDS

Dressta dozers put finesse at your fingertips, so that you get faster results, reach final grade in fewer passes, and move more material in less time. This adds up to greater efficiency, which translates to lower costs.

A responsive electro-hydraulic, left hand joystick controls travel direction and steering while the right hand joystick gives control of the blade.

Ergonomic joysticks enable precision, control and predictable response whether you're operating the tracks, the blade or the ripper.

The steering system maintains full power to both tracks at all times for excellent traction and responsive turning – even on slopes or loose ground.

## COMMAND AND CONTROL

Cleverly designed switches and displays help you easily control the dozer. All instruments and controls are conveniently located.

The headlights and adjustable work lights are controlled by a single light switch on the instrument panel for optimal visibility and safety in low light environments.

## 2-SPEED STEERING SYSTEM

Fewer passes means reduced cycle times and higher productivity.

Our unique 2-Speed Steering Drive delivers full power to both tracks at all times, resulting in vastly improved traction to push full loads effortlessly through turns, quickly and smoothly.

You also get better load retention, improved speed control in soft conditions, plus overall manoeuvrability and cycle times are improved.

## TRAVEL SPEEDS

Variable travel and working speeds mean easy, precise control with full power turning for better load retention, less sprocket and bushing wear, better ripping performance and modulated directional control in all-terrain conditions, slope work and corner dozing.

The result is higher productivity and lower undercarriage costs thanks to increased traction and less track slippage.





## PRODUCTIVE AND DEPENDABLE ENGINE

Dressta's mid-size dozers are powered by a range of turbocharged Cummins engines which feature a high-pressure common-rail fuel system to ensure efficient performance while supplying the power you need for maximum productivity at the job site. Thanks to the proven common-rail fuel system, this technology delivers a precise quantity of fuel at high pressure and increases fuel economy and performance, decreasing exhaust and noise emissions with consistent performance at every rpm.



### TD-14M EXTRA / TD-14R / TD-15R EXTRA

**Engine: Cummins QSB 6.7**

**Emission Standards: EPA Tier 3 – Tier 4 Interim - Tier 4 Final / EU Stage IIIA - IIIB - IV**

Developed to meet U.S. Environmental Protection Agency (EPA) and EU emissions regulations, the Cummins QSB 6.7 engine features an advanced technology solution for total integration of the engine and the exhaust after-treatment system. Fuel economy is optimized above 5 percent compared to Tier 4 Interim engines, while achieving near-zero emissions at the same time. Thanks to the incorporated Cooled Exhaust Gas Recirculation (EGR) system, this next-generation engine minimizes Diesel Exhaust Fluid (DEF) consumption levels as well.

The Tier 3 and Stage IIIA Cummins QSB 6.7 features in-cylinder technology and proven electronic controls to handle the toughest job requirements. It offers improved cold-start capability and major enhancements that make Dressta products work harder, smarter, quieter and longer.



### TD-20R EXTRA

**Engine: Cummins QSL 9**

**Emission Standards: EPA Tier 4F / EU Stage IV**

The QSL9 275 horsepower engine meets EPA Tier 4 / EU Stage IV Final near-zero emissions standards with a next-generation compact catalyst and selective catalytic reduction (CCC-SCR) after treatment system. The engine makes no performance compromises in order to meet the standard, retaining its proven fast engine response and reliability for the Dressta dozers. The compact after treatment system provides a fully passive, flow-through operation and enables the engine to further improve fuel efficiency.

### TD-15M EXTRA / TD-20M EXTRA

**Engine: Cummins QSC 8.3**

**Emission Standards: EPA Tier 3 / EU Stage IIIA**

Cummins proven performance, dependability and durability is maintained while operating cleanly and efficiently with the QSC 8.3. By using in-cylinder technology, this engine meets EPA Tier 3 and EU Stage IIIA emissions standards. Advanced electronics provide enhanced engine performance for Dressta machines with higher torque and better throttle response at every rpm as well as increased fuel economy, precision diagnostics and engine protection. The QSC also features improved cold starting plus up to 50% quieter operation for better operator comfort.



# Heavy duty design

Dressta dozers are built with a one-piece mainframe for exceptional strength so you can get on with the toughest of jobs with confidence.

The front section of the mainframe supports the radiator, engine, torque converter and transmission, while the rear section supports steering drive and the final drives. Working loads from the blade and rear mounted attachments are evenly distributed through the frame and undercarriage.

The robust design includes a heavy-duty undercarriage, available in various options, to enhance performance through stability in different types of conditions and terrains.

## MODULAR CONSTRUCTION

Maximum uptime is critical to business success. Dressta's modular design arranges components in a way that makes removal and replacement during servicing quick and easy, to get you back to work fast for minimum downtime and maximum profitability.

- All Dressta products have track chains with master links which makes servicing the tracks fast and without the need for special tools or hydraulic presses.
- Dressta dozers incorporate equalizer bars which do not require pins at the ends. Thanks to this feature, the equalizer bars are maintenance free for the life of the product.

## MANAGING WEAR

Durable components that continue to perform through everyday wear and tear improve the lifetime value of your machine. Dressta's Lubricated Track System (LTS) is designed for:

- Reduced wear of sprocket and external bushing;
- Eliminate track link counter bore wear and reduce chain warp or twisting;
- Increased track roller and idler life;
- Quieter track chain operation.

## TRACK SHOES

A wide range of track shoe options helps perfectly match our dozers to all types of ground conditions.



Working loads from the blade and rear mounted attachments are evenly distributed through the frame and undercarriage.



	TRACKS		SHOES	
	Track gauge	Track length on ground	Shoes, each side	Shoe width
<b>TD-14 M Extra</b> (Standard)	1,880 mm (74 in)	2,600 mm (102 in)	40	560 mm (22 in)
<b>TD-14 M Extra</b> (LT)	1,880 mm (74 in)	3,170 mm (125 in)	46	560 mm (22 in)
<b>TD-14 M Extra</b> (LGP)	2,136 mm (84 in)	3,170 mm (125 in)	46	915 mm (36 in)
<b>TD-14 R</b> (Standard)	1,930 mm (76 in)	2,600 mm (102 in)	40	560 mm (22 in)
<b>TD-14 R</b> (LT)	1,930 mm (76 in)	3,170 mm (125 in)	46	560 mm (22 in)
<b>TD-14 R</b> (LGP)	2,240 mm (88 in)	3,170 mm (125 in)	46	915 mm (36 in)
<b>TD-15 M Extra</b> (Standard)	1,930 mm (76 in)	2,640 mm (104 in)	39	508 mm (20 in)
<b>TD-15 M Extra</b> (LT)	1,930 mm (76 in)	3,050 mm (120 in)	43	508 mm (20 in)
<b>TD-15 M Extra</b> (LGP)	2,160 mm (85 in)	3,050 mm (120 in)	43	940 mm (37 in)
<b>TD-15 R Extra</b> (Standard)	1,930 mm (76 in)	2,640 mm (104 in)	39	508 mm (20 in)
<b>TD-15 R Extra</b> (LT)	1,930 mm (76 in)	3,050 mm (120 in)	43	508 mm (20 in)
<b>TD-15 R Extra</b> (LGP)	2,160 mm (85 in)	3,050 mm (120 in)	43	940 mm (37 in)
<b>TD-20 M Extra</b> (Standard)	1,980 mm (78 in)	2,860 mm (113 in)	40	560 mm (22 in)
<b>TD-20 M Extra</b> (LT)	1,980 mm (78 in)	3,080 mm (121 in)	42	560 mm (22 in)
<b>TD-20 M Extra</b> (LGP)	2,180 mm (86 in)	3,080 mm (121 in)	42	864 mm (34 in)
<b>TD-20 R Extra</b> (Standard)	1,980 mm (78 in)	2,860 mm (113 in)	40	560 mm (22 in)
<b>TD-20 R Extra</b> (LT)	1,980 mm (78 in)	3,080 mm (121 in)	42	560 mm (22 in)
<b>TD-20 R Extra</b> (LGP)	2,180 mm (86 in)	3,080 mm (121 in)	42	864 mm (34 in)



# Comfort zone

When you're on the job site from dawn to dark, you want a cab that is comfortable all day long.

Dressta operators will enjoy exceptional in-cab comfort from the performance of the air conditioning system to the location of the controls for optimal operator comfort.

The FOPS and 2-post ROPS certified cab provides more space and is equipped with:

- Large tinted side and rear sliding windows for cross ventilation and an enhanced view of both the blade and ripper equipment.
- Air recirculation system.
- Air conditioner / heater / pressurizer.
- Noise reduction trim.
- Deluxe air suspension seat including 6-way adjustment and arm rests.
- Ergonomically designed joystick controls for direction, blade and ripper operation.
- Optional ROPS Canopy.

The comfortable suspension seat is adjustable to the operator's weight and sitting position and is equipped with full arm rests and seat belt. It swivels to the right for better ripper viewing and reduced operator fatigue during long ripping runs.

## NOISE AND VIBRATION MANAGEMENT

Isolated cab mounts reduce vibration for enhanced comfort and noise reduction, while the low drive undercarriage system ensures minimal vibration and noise from the final drives.

## AIR CONDITIONING

The air conditioning system creates the right environment in any weather, all year round. The heater, the A/C evaporator unit and fan are mounted under the operator's seat for consistent cab temperature throughout the day, while fresh air filters are mounted below the cab rear windows and the condenser unit is mounted at the rear of the cab.

## EASY MONITORING

A high resolution 7" LCD display screen provides real-time system values for temperatures, pressures and forward/reverse direction shift and ground-speed ranges.

- Multiple language options
- Large anti-glare full color monitor
- Generous memory storage
- Dual (metric/imperial) units



High resolution 7 inch  
**LCD** display screen





The cab provides a clear view to the blade and ripper working areas, as well as the entire job site.

#### **RESPONSIVE AND PREDICTABLE STEERING CONTROL**

TD14, TD15 and TD20 feature a steering drive that is controlled with the left-hand joystick. The joystick controls the transmission in high or low range as well as left or right gradual speed turns. Brakes for parking and downhill control are activated by a foot pedal, and are spring applied and hydraulically released.

#### **MAXIMUM VISIBILITY**

The cab provides clear view to the blade and ripper working areas and the entire job site, with a direct line of sight to the cutting edge, making it easy to follow the flow of material under the blade.

# Attachments enhance productivity and versatility

A great dozer can only deliver great results with the right attachments. Dressta's robust blades and rippers are designed to power through even the toughest of material and are suited to a wide range of applications.

## BLADES

The **Semi-U Blade** design combines the penetration ability of a straight blade with the increased capacity provided by short wings. It is ideal for applications like road and highway construction.

The **6-way blade** control system is designed for performance and final grade control. With its motion capabilities, these blades are adept at finish grade work in construction and landscaping applications.

Dressta also offers large blades for increased capacity and incorporating full width cutting edges for prolonged durability.

Cutting edge angles and blade mouldboard geometry are designed to provide a balance between fine-light dozing and aggressive heavy material movement. This enables the dozers to perform at maximum productivity over a broader variety of applications.

All blades can be equipped with hydraulic blade tilt and angle as well as manual blade pitch adjustment to increase the versatility of the dozer.



Blades (Standard)	TD-14 M Extra (Standard)	TD-14 R (Standard)	TD-15 M Extra (Standard)	TD-15 R Extra (Standard)	TD-20 M Extra (Standard)	TD-20 R Extra (Standard)
Types	Semi-U; 6-way	Semi-U; 6-way	Semi-U; Angle	Semi-U; Angle	Semi-U; Full-U; Angle; Straight	Semi-U; Full-U; Angle; Straight
SAE capacity	3.2 m <sup>3</sup> (4.2 yd <sup>3</sup> ) – 4.28 m <sup>3</sup> (5.6 yd <sup>3</sup> )	3.4 m <sup>3</sup> (4.5 yd <sup>3</sup> ) – 4.28 m <sup>3</sup> (5.6 yd <sup>3</sup> )	3.80 m <sup>3</sup> (5.0 yd <sup>3</sup> ) – 7.04 m <sup>3</sup> (9.2 yd <sup>3</sup> )	3.80 m <sup>3</sup> (5.0 yd <sup>3</sup> ) – 7.04 m <sup>3</sup> (9.2 yd <sup>3</sup> )	3.88 m <sup>3</sup> (5.1 yd <sup>3</sup> ) – 8.45 m <sup>3</sup> (11.1 yd <sup>3</sup> )	3.88 m <sup>3</sup> (5.1 yd <sup>3</sup> ) – 8.45 m <sup>3</sup> (11.1 yd <sup>3</sup> )





## RIPPERS

The single shank ripper option offers a standard shank with exceptional penetration, allowing full use of the remarkable drawbar pull of the machine.

An adjustable parallelogram multi-shank ripper also offers outstanding penetration in various ground conditions and can be used with up to three shanks.

Both the single and multi-shank rippers are equipped with best-in-class (largest diameter) pitching cylinders to change the angle of the attack of the ripper shank according to ripping conditions.



Ripper (Standard)	TD-14 M Extra (Standard)	TD-14 R (Standard)	TD-15 M Extra (Standard)	TD-15 R Extra (Standard)	TD-20 M Extra (Standard)	TD-20 R Extra (Standard)
Types	Parallelogram ripper				Parallelogram ripper with hydraulic pitch adjustment	
	Triple shank		Single shank; triple shank			

# Servicing made easy

Controlling servicing and maintenance costs is critical to achieving maximum lifetime value from your equipment.



Keeping your Dressta dozer in top running condition requires less effort, thanks to ground-level access to the engine and all daily maintenance checkpoints.

The modular power train layout means every major component can be serviced or replaced in the field in just a few hours.

The cooling system features aluminium bar plates for improved heat transfer and reduced resistance to air flow.

The modular design makes it easier to access for maintenance and regular cleanouts while an optional reversible fan provides maximum radiator cleaning performance while you work.

Dressta provides clear, easy to follow maintenance instructions to guide you through typical maintenance and service routines and can offer a variety of training programs to help you get the best from your machine.





### EASY ACCESS

All service and maintenance points are clearly marked and easily accessible, with diagnostic points conveniently grouped together. Built-in reminders in the on-board monitoring system help to ensure that servicing is taken care of when needed.

### AUTOMATIC GREASING

An optional automatic greasing system makes servicing even easier, helping to lower maintenance costs and improve machine productivity. This automatic system improves bearing life and reduces the need for repairs by delivering frequent and exact amounts of grease to each bearing.





# Work your way

Dressta makes it easy to get the best result in any operation by designing versatile equipment, and working directly with customers to meet their special requirements.





Talk to Dressta about Special Feature Requests for specific customization needs. If different applications require unique attachments, components or design features, Dressta will work with you to maximize the operational efficiency of your machines.

**DRESSTA DOZERS ARE IDEALLY SUITED TO A FURTHER RANGE OF APPLICATIONS, HELPING OUR CUSTOMERS ACHIEVE MORE IN THE JOBS THEY DO.**

### ROAD & HIGHWAYS

Building roads just got easier. Dressta's mid-size dozers are packed with features for road and highway applications, including our unique two-speed steering drive, pre-selection mode and auto-down shifting to help you to push through any task with ease and move more material at less cost.

Dressta also offers Trimble grade control, so you can stay in full command and make the grade with precise control and better finish.

### CONSTRUCTION

Construction is a deadline-driven environment where reliable, productive equipment is essential. Dressta's powerful mid-size dozers have the muscle to take on any construction challenge, from ground breaking work to final grade.

### LANDFILL

Landfill operations are tough on equipment and operators. Dressta's mid-size dozers are built to excel in landfills, where they deliver excellent waste compaction and can be fitted with large blades with trash racks and single or multi-shank rippers.

### FORESTRY

Dressta's dozers have a range of features suited to challenging forest environments. Talk to Dressta about optimal performance specifications and the range of Special Feature Requests including cyclonic air filtration, fire suppression, auxiliary hydraulics and more.

### FOUNDRY

One of the most testing applications for a dozer is the handling of hot materials such as iron slag. Dressta dozers are built to survive and thrive in the most challenging environments and keeping operators safe, comfortable and productive.

### QUARRY

Dressta dozers are ideally suited for material handling and extraction of valuable minerals and resources from quarries. The machines efficiently perform a range of quarry functions.

### ARCTIC

Extreme conditions are no match for Dressta's dozers. Refined for supreme performance in arctic conditions, Dressta machines are optimised to perform in temperatures as low as -60°C.



### TRIMBLE OPTIONS

All of Dressta's models come with a 'plug and play' option for installation of a Trimble Grade Control System. Trimble equipped machines make it easier to finish jobs with less re-work, less staking, less checking, lower costs and improved material yields.

With Trimble's VisionLink, you can easily see where your equipment is, what it is doing and how productive it is, utilizing user-friendly management tools combined with GPS-based positioning and wireless hardware.

# Support when and where you need it

Dressta knows that its equipment is put to the test each and every day, and its machines are engineered to stand up to the challenges and demands of the toughest jobs.

## WARRANTY

When you purchase a Dressta dozer, your investment is backed by one of the most comprehensive warranties in the industry. In addition to the standard 12 month warranty, Dressta offers extended warranty protection programs for additional peace of mind.

## EASY PARTS SUPPLY

Genuine Dressta parts are engineered to fit right the first time and to provide the highest levels of performance and reliability while meeting strict quality controls. The global parts network, with seven regional distribution centers and advanced logistics systems, means you can be assured of rapid parts supply of whatever you need, wherever you are.

## GET THE MOST OUT OF YOUR EQUIPMENT

Dressta's stringent quality assurance ensures all products meet the exact needs of customers. Technical support teams offer fast access to factory expertise and information systems while ongoing aftersales support is available via dealerships with factory trained engineers who are available as and when you require.





Our products are supplied worldwide through a well-established network of independent distributors who are as passionate about the industry as you are.



## ENGINE

	<b>TD-14M Extra</b>	<b>TD-14R</b>	<b>TD-15M Extra</b>	<b>TD-15R Extra</b>	<b>TD-20M Extra</b>	<b>TD-20R Extra</b>
Make and model	Cummins QSB 6.7	Cummins QSB 6.7	Cummins QSC 8.3	Cummins QSB6.7	Cummins QSC 8.3	Cummins QSL 9
Emissions standard	EPA Tier 3/EU Stage IIIA	EPA Tier 4 Interim/EU Stage IIIB	EPA Tier 3/EU Stage IIIA	EPA Tier 4f/EU Stage IV	EPA Tier 3/EU Stage IIIA	EPA Tier 4f/EU Stage IV
Displacement	6.7 L (408 in <sup>3</sup> )	6.7 L (408 in <sup>3</sup> )	8.3 L (505 in <sup>3</sup> )	6.7 L (409 in <sup>3</sup> )	8.3 L (505 in <sup>3</sup> )	8.9 L (543 in <sup>3</sup> )
Bore and stroke	107 x 124 mm (4.21 x 4.88 in)	107 x 124 mm (4.21 x 4.88 in)	114 x 135 mm (4.49 x 5.32 in)	107 x 124 mm (4.21 x 4.88 in)	114 x 135 mm (4.49 x 5.32 in)	114 x 144.5 mm (4.49 x 5.69 in)
Gross horsepower, SAE J1995	129 kW (173 Hp)	129 kW (173 Hp)	153 kW (205 Hp)	164 kW (220 Hp)	194 kW (260 Hp)	205 kW (275 Hp)
Net horsepower, SAE J1349/ISO 9249	120 kW (160 Hp)	120 kW (160 Hp)	142 kW (190 Hp)	150 kW (201 Hp)	179 kW (240 Hp)	195 kW (261 Hp)
Rated RPM	1,800	2,100	1,950	2,000	2,200	2,200
Max. torque	893 Nm (659 lb-ft) @ 1,350 rpm	801 Nm (591 lb-ft) @ 1,350 rpm	1,010 Nm (745 lb-ft) @ 1,450 rpm	949 Nm (700 lb-ft) @ 1,500 rpm	1,180 Nm (870 lb-ft)	1,213 Nm (895 lb-ft) @ 1,500 rpm
Air cleaner	2-stage, dry type, with dash mounted electronic service indicator	2-stage, dry type, with dash mounted electronic service indicator	2-stage, dry type, with dash mounted electronic service indicator	Cummins Filtration Direct Flow™, dry type, exhaust aspiration, with dash-mounted electronic service indicator	2-stage, dry type, with dash mounted electronic service indicator	Cummins Filtration Direct Flow™, dry type, with dash-mounted electronic service indicator
Cold-starting aid	Grid heater	Ether	Grid heater	Ether	Grid heater	Ether
Slope operation, max. angle	45°					

## COOLING

	<b>TD-14M Extra</b>	<b>TD-14R</b>	<b>TD-15M Extra</b>	<b>TD-15R Extra</b>	<b>TD-20M Extra</b>	<b>TD-20R Extra</b>
Type	Suction-type fan, belt driven with perforated engine side sheets and heavy duty louvered front grill	Suction-type variable-speed fan, hydraulically driven with perforated engine side sheets and heavy duty louvered front grill	Suction-type fan, belt driven with perforated engine side sheets and heavy duty louvered front grill	Suction-type variable-speed fan, hydraulically driven with perforated engine side sheets and heavy duty louvered front grill	Suction-type fan, belt driven with perforated engine side sheets and heavy duty louvered front grill	Suction-type variable-speed fan, hydraulically driven with perforated engine side sheets and heavy duty louvered front grill
Engine coolant rating	-37°C (-34°F)					

## BRAKES

	<b>TD-14M Extra/TD-14R</b>	<b>TD-15M Extra/TD-15R Extra</b>	<b>TD-20M Extra/TD-20R Extra</b>
Service	Spring applied hydraulically released multi-disc wet brakes. Foot pedal controlled.		
Parking	The steering brakes also act as service and parking brakes. Service brakes are locked automatically when the transmission safety lever is actuated or when the engine is cut off.		

## ELECTRICAL

	<b>TD-14M Extra/TD-14R</b>	<b>TD-15M Extra/TD-15R Extra</b>	<b>TD-20M Extra</b>	<b>TD-20R Extra</b>
Voltage	24 V			
Number of batteries	2			
Battery capacity	960 CCA	815 CCA	815 CCA	
Alternator rating	70 A	50 A	50 A	80 A
Lights	8 total; cab mounted (2F & 2R), 2F lift cylinders and 2R fuel tank mounted			



## HYDRAULICS

	TD-14M Extra/TD-14R	TD-15M Extra/TD-15R Extra	TD-20M Extra/TD-20R Extra
Type	Open-center hydraulic system with fixed-displacement tandem-gear pumps		Open-center hydraulic system with fixed-displacement multiple-pumps gear type
Pump displacement	135 L/min (35.7 gpm)	173 L/min (46 gpm)	177.2 L/min (46.8 gpm)
System relief pressure	17.5 MPa (2,540 psi)	17.2 MPa (2,500 psi)	blade lift & ripper 16.9 MPa (2,500 psi); blade tilt 17.9 MPa (2,600 psi)
Control	single joystick lever		

## OPERATOR STATION

	TD-14M Extra/TD-14R	TD-15M Extra/TD-15R Extra	TD-20M Extra/TD-20R Extra
	ROPS (ISO 3471 - 2008) and FOPS (ISO 3449 - 2005)		

## SERVICEABILITY

	TD-14M Extra/TD-14R	TD-15M Extra	TD-15R Extra	TD-20M Extra	TD-20R Extra
<b>Refill Capacities</b>					
Fuel tank	380 L (100 US gal)	380 L (100.4 US gal)	330 L (87.2 US gal)	490 L (130 US gal)	420 L (115 US gal)
Cooling system	34 L (9 US gal)	50 L (13.2 US gal)	27 L (7.1 US gal)	50 L (13.5 US gal)	37 L (9.8 US gal)
Engine oil	18.5 L (4.9 US gal)	23 L (6.1 US gal)	18.5 L (4.9 US gal)	22.5 L (6 US gal)	
Transmission system	125 L (33 US gal)	153 L (40.4 US gal)		173 L (45.8 US gal)	
Final drive, each side	STD & LT 28 L (7.4 US gal) LGP 46 L (12 US gal)	40 L (10.6 US gal)		38 L (10 US gal)	
Hydraulic reservoir	59 L (15.6 US gal)	60 L (16 US gal)		115 L (30.4 US gal)	
AdBlue (DEF)	-	-	20 L (5.3 US gal)	-	37.5 L (10 US gal)



# POWERTRAIN

	TD-14M Extra/TD-14R	TD-15M Extra/TD-15R Extra	TD-20M Extra/TD-20R Extra
Transmission	Single stage torque converter drives to transmission through a double universal joint. Modular, countershaft type power shift transmission, electro-hydraulic control. Preset travel speed and auto-downshift.		
Torque converter stall ratio	2.1:1	2.6:1	2.3:1
Steering	Exclusive 2-speed geared steering module provides gradual turns while maintaining full power to both tracks plus conventional clutch-brake performance for tight or pivot turns. Coupled to 3-speed transmission, the 2-speed steering provides 6 speeds forward and 6 reverse. The left hand joystick controls transmission and steering drive for up and down shifting, steering, Hi/Lo selection and LH/RH gradual turn.		
Final drives	Double-reduction final drives mounted independently of track frames and dozer push arms for isolation from shock loads	Double-reduction final drives mounted independently of track frames and dozer push arms for isolation from shock loads	Double-reduction planetary type final drives mounted independently of track frames and dozer push arms for isolation from shock loads
Total ratio	10.32 to 1	12.1 to 1	17.56 to 1

Travel speeds		TD-14M Extra/TD-14R	
Gear	Range	Forward	Reverse
1st	Low	2.9 km/h (1.8 mph)	3.6 km/h (2.2 mph)
	High	4.0 km/h (2.5 mph)	4.8 km/h (3.0 mph)
2nd	Low	5.0 km/h (3.1 mph)	6.0 km/h (3.7 mph)
	High	6.6 km/h (4.1 mph)	8.0 km/h (5.0 mph)
3rd	Low	8.2 km/h (5.1 mph)	9.8 km/h (6.1 mph)
	High	10.8 km/h (6.7 mph)	12.9 km/h (8.0 mph)
Maximum drawbar pull		355 kN (79,807 lb)	

Travel speeds		TD-15M Extra		TD-15R Extra	
Gear	Range	Forward	Reverse	Forward	Reverse
1st	Low	2.7 km/h (1.7 mph)	3.2 km/h (2.0 mph)	2.8 km/h (1.7 mph)	3.3 km/h (2.1 mph)
	High	3.6 km/h (2.2 mph)	4.3 km/h (2.7 mph)	3.8 km/h (2.4 mph)	4.5 km/h (2.8 mph)
2nd	Low	4.9 km/h (3.0 mph)	5.7 km/h (3.5 mph)	5.0 km/h (3.1 mph)	6.0 km/h (3.7 mph)
	High	6.5 km/h (4.0 mph)	7.6 km/h (4.7 mph)	6.7 km/h (4.2 mph)	8.0 km/h (5.0 mph)
3rd	Low	7.7 km/h (4.8 mph)	9.0 km/h (5.6 mph)	8.0 km/h (5.0 mph)	9.3 km/h (5.8 mph)
	High	10.2 km/h (6.3 mph)	11.9 km/h (7.4 mph)	10.5 km/h (6.5 mph)	12.3 km/h (7.6 mph)
Maximum drawbar pull		535.3 kN (118,688 lb)			

Travel speeds		TD-20M Extra		TD-20R Extra	
Gear	Range	Forward	Reverse	Forward	Reverse
1st	Low	2.9 km/h (1.8 mph)	3.6 km/h (2.3 mph)	2.9 km/h (1.8 mph)	3.4 km/h (2.1 mph)
	High	3.7 km/h (2.3 mph)	4.5 km/h (2.8 mph)	3.7 km/h (2.3 mph)	4.4 km/h (2.7 mph)
2nd	Low	5.2 km/h (3.2 mph)	6.1 km/h (3.8 mph)	5.2 km/h (3.2 mph)	6.1 km/h (3.8 mph)
	High	6.7 km/h (4.2 mph)	8.0 km/h (5.0 mph)	6.7 km/h (4.2 mph)	7.9 km/h (4.9 mph)
3rd	Low	9.0 km/h (5.6 mph)	9.7 km/h (6.0 mph)	8.2 km/h (5.1 mph)	9.6 km/h (6.0 mph)
	High	10.6 km/h (6.6 mph)	12.6 km/h (7.8 mph)	10.5 km/h (6.5 mph)	12.2 km/h (7.6 mph)
Maximum drawbar pull		620 kN (139,382 lb)		640 kN (143,878 lb)	



# UNDERCARRIAGE

	<b>TD-14M Extra (STD &amp; LT)</b>	<b>TD-14M Extra (LGP)</b>	<b>TD-14R (STD &amp; LT)</b>	<b>TD-14R (LGP)</b>
Suspension	Oscillation-type with equalizer bar and forward mounted pivot shafts			
Tracks	Large deep-heat-treated for maximum wear resistance			
Track gauge	1,880 mm (74 in)	2,136 mm (84 in)	1,930 mm (76 in)	2,240 mm (88 in)
Track shoe width	560 mm (22 in)	915 mm (36 in)	560 mm (22 in)	915 mm (36 in)
Chain and rollers	Sealed and lubricated track links and through-hardened, sealed, and lubricated rollers			
Shoes, each side	STD 40 / LT 46	46	STD 40 / LT 46	46
Track rollers, each side	STD 7 / LT 8	8	STD 7 / LT 8	8
Track length on ground	STD 2,600 mm (102 in) LT 3,170 mm (125 in)	3,170 mm (125 in)	STD 2,600 mm (102 in) LT 3,170 mm (125 in)	3,170 mm (125 in)
Ground contact area	STD 29,000 cm <sup>2</sup> (4,495 in <sup>2</sup> ) LT 36,000 cm <sup>2</sup> (5,580 in <sup>2</sup> )	58,000 cm <sup>2</sup> (8,990 in <sup>2</sup> )	STD 29,000 cm <sup>2</sup> (4,495 in <sup>2</sup> ) LT 36,000 cm <sup>2</sup> (5,580 in <sup>2</sup> )	58,000 cm <sup>2</sup> (8,990 in <sup>2</sup> )
Ground pressure	STD 55.5 kPa (8.0 psi) LT 47.5 kPa (6.9 psi)	31.4 kPa (4.6 psi)	STD 55.5 kPa (8.0 psi) LT 47.5 kPa (6.9 psi)	30.4 kPa (4.4 psi)
Track pitch	215.9 mm (8.5 in)			
Sprocket sements, each side	1			

	<b>TD-15M Extra/R Extra (STD &amp; LT)</b>	<b>TD-15M Extra/R Extra (WT)</b>	<b>TD-15M Extra/R Extra (LGP)</b>		
Suspension	Oscillation-type with equalizer bar and forward mounted pivot shafts				
Tracks	Large deep-heat-treated for maximum wear resistance				
Track gauge	1,930 mm (76 in)	2,030 mm (80 in)	2,160 mm (85 in)		
Track shoe width	508 mm (20 in)	762 mm (30 in)	940 mm (37 in)		
Chain and rollers	Sealed and lubricated track links and through-hardened, sealed, and lubricated rollers				
Shoes, each side	STD 39 / LT 43	43	43		
Track rollers, each side	STD 6 / LT 8	8	8		
Track length on ground	STD 2,640 mm (104 in) LT 3,050 mm (120 in)	3,050 mm (120 in)	3,050 mm (120 in)		
Ground contact area	STD 27,000 cm <sup>2</sup> (4,160 in <sup>2</sup> ) LT 31,000 cm <sup>2</sup> (4,800 in <sup>2</sup> )	46,000 cm <sup>2</sup> (7,200 in <sup>2</sup> )	57,000 cm <sup>2</sup> (8,880 in <sup>2</sup> )		
Ground pressure	STD 75.4kPa (10.9 psi) LT 65.8 kPa (9.5 psi)	44.9 kPa (6.5 psi)	45.7 kPa (6.7 psi)	36.9 kPa (5.4 psi)	37.4 kPa (5.5 psi)
Track pitch	215.9 mm (8.5 in)	-	215.9 mm (8.5 in)		
Sprocket sements, each side	1				

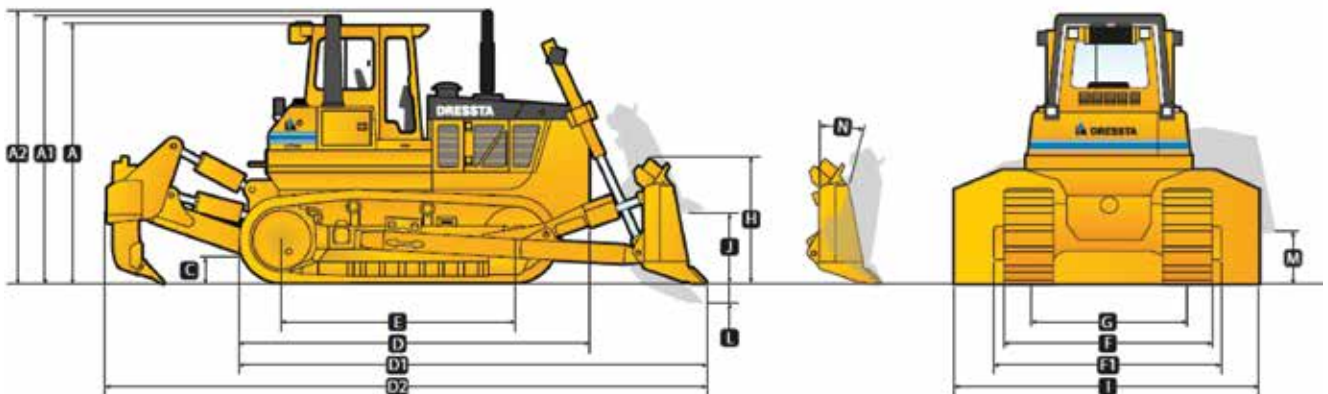
	<b>TD-20M Extra/R Extra (STD &amp; LT)</b>	<b>TD-20M Extra/R Extra (LGP)</b>
Suspension	Oscillation-type with equalizer bar and forward mounted pivot shafts	
Tracks	Large deep-heat-treated for maximum wear resistance	
Track gauge	1,980 mm (78 in)	2,180 mm (86 in)
Track shoe width	560 mm (22 in)	864 mm (34 in)
Chain and rollers	Sealed and lubricated track links and through-hardened, sealed, and lubricated rollers	
Shoes, each side	STD 40 / LT 42	42
Track rollers, each side	7	
Track length on ground	STD 2,860 mm (113 in) / LT 3,080 mm (121 in)	3,080 mm (121 in)
Ground contact area	STD 32,000 cm <sup>2</sup> (4,972 in <sup>2</sup> ) / LT 34,000 cm <sup>2</sup> (5,324 in <sup>2</sup> )	53,000 cm <sup>2</sup> (8,228 in <sup>2</sup> )
Ground pressure	STD 72.4 kPa / LT 68.8 kPa	52 kPa
Track pitch	215.9 mm (8.5 in)	
Sprocket sements, each side	1	

# OPERATING WEIGHTS

	TD-14M Extra/14R (STD & LT)	TD-14M Extra/14R (LGP)
Base weight (with 6-WAY blade, standard equipment, cab ROPS/FOPS, full fuel tank, and 79 kg (175 lb) operator)	STD 16,100 kg (35,494 lb) / LT 17,100 kg (37,699 lb)	18,200 kg (40,124 lb)
<b>Optional Components</b>		
Ripper 3-shank type		1,644 kg (3,551 lb)
<b>Track shoes</b>		
610 mm (24 in)		STD 128 kg (282 lb) / LT 146 kg (322 lb)

	TD-15M Extra/R Extra (STD & LT)		TD-15 M Extra/R Extra (WT)		TD-15 M Extra/R Extra (LGP)	
Base weight with Semi-U blade w/ tilt, drawbar, standard equipment, cab ROPS/FOPS, full fuel tank, and 79 kg (175 lb) operator	STD 20,660 kg (45,547 lb) LT 20,810kg (45,878 lb)	STD 20,760kg (45,768 lb) LT 20,910kg (46,099 lb)	21,315 kg (46,991 lb)	21,415 kg (47,212 lb)	21,620 kg (47,663 lb)	21,720 kg (47,884 lb)
<b>Optional Components</b>						
Ripper single-shank type	1,546 kg (3,408 lb)	1,546 kg (3,408 lb)	1,546 kg (3,408 lb)	-	-	-
Ripper 3-shank type	1,743 kg (3,843 lb)	1,743 kg (3,843 lb)	1,554 kg (3,427 lb)	-	2,160 mm (85 in)	-
<b>Track shoes</b>	508 mm (20 in)		762 mm (30 in)		940 mm (37 in)	
508 mm (20 in)	-		-877 kg (-1,933 lb)		-	
560 mm (22 in)	125 kg (276 lb)		-740 kg (-1,631 lb)		-	
610 mm (24 in)	265 kg (584 lb)		-585 kg (-1,290 lb)		-	
660 mm (26 in)	406 kg (895 lb)		-430 kg (-948 lb)		-1,100 kg (-2,425 lb)	

	TD-20M Extra (STD & LT)	TD-20M Extra (LGP)	TD-20R Extra (STD & LT)	TD-20R Extra (LGP)
Base weight with Semi-U blade w/ tilt, drawbar, standard equipment, cab ROPS/FOPS, full fuel tank, and 79 kg [175 lb] operator)	STD 24,200 kg (53,352 lb) LT 24,760 kg (54,587 lb)	25,230 kg (55,623 lb)	STD 24,250 kg (53,462 lb) LT 24,810 kg (54,700 lb)	25,280 kg (55,733 lb)
<b>Optional Components</b>				
Ripper 3-shank type	456 kg (1,014 lb)	-	456 kg (1,014 lb)	-
<b>Track shoes</b>				
610 mm (24 in)	176 kg (388 lb)	-	176 kg (388 lb)	-
660 mm (26 in)	336 kg (740 lb)	-	336 kg (740 lb)	-





# MACHINE DIMENSIONS

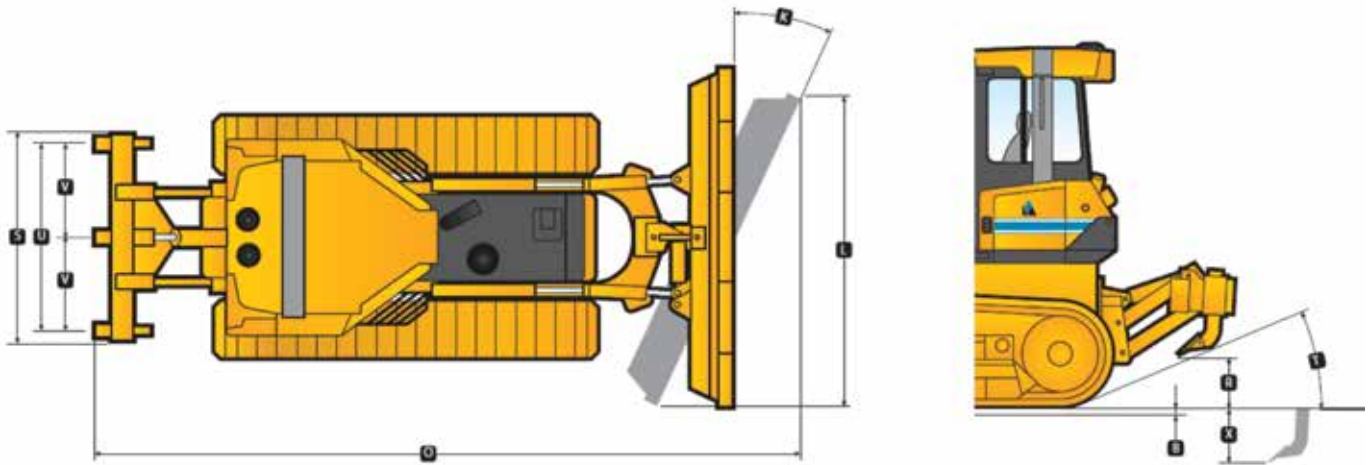
	TD-14M Extra/14R (STD & LT)		TD-14M Extra/14R (LGP)	
	Semi-U / 6-way		Straight / 6-way	
<b>A</b> Overall height -ROPS	3,240 mm (128 in)		3,240 mm (128 in)	
<b>B</b> Grouser height	65 mm (2.56 in)		65 mm (2.56 in)	
<b>C</b> Ground clearance	430 mm (16.9 in)		430 mm (16.9 in)	
<b>D</b> Overall length, base machine	STD 3,630 mm (143 in) / LT 4,200 mm (165 in)		4,200 mm (165 in)	
<b>D1</b> Length with blade and drawbar	STD 5,130 mm (16' 10") / LT 5,690 (18' 8")		5,500 mm (18 ft)	5,540 mm (18 ft 2 in)
<b>D2</b> Length with blade and 3-shank ripper	STD 6,300 mm (20' 8") LT 6,870 mm (22' 1.6")	STD 6,490 mm (21' 4") LT 6,720 mm (22' 1")	-	
<b>E</b> Track length on ground	STD 2,600 mm (102 in) / LT 3,170 mm (125 in)		3,170 mm (125 in)	
<b>F</b> Width over track	2,490 mm (98 in)		3,050 mm (120 in)	
			TD-14M Extra (LGP)	TD-14R (LGP)
<b>F1</b> Width over trunnions	2,710 mm (8' 11")	2,760 mm (9' 1")	3,305 mm (10' 10")	3,400 mm (11' 2")
<b>G</b> Track gauge	1,880 mm (74")	1,930 mm (76")	2,136 mm (84")	2,240 mm (88")

	TD-15M Extra/R Extra (STD & LT)		TD-15M Extra/R Extra (WT)		TD-15M Extra/R Extra (LGP)	
	Semi-U	Angle	Semi-U	6-way	Straight	6-way
<b>A</b> Overall height - FOPS cab	3,350 mm (132 in)					
<b>A1</b> Overall height -ROPS	3,450 mm (136 in)					
<b>B</b> Grouser height	64 mm (2.52 in)					
<b>C</b> Ground clearance	445 mm (17.5 in)					
<b>D</b> Overall length, base machine	STD 4,050 mm (13' 3.3") LT 4,220 mm (13' 10")	4,220 mm (13' 10")	4,220 mm (13' 10")	4,220 mm (13' 10")	4,220 mm (13' 10")	4,220 mm (13' 10")
<b>D1</b> Length with blade	STD 5,230 mm (17' 2") LT 5,670 mm (18' 7")	STD 5,390 mm (17' 8") LT 5,830 mm (19' 2")	5,670 mm (18' 7")	5,870 mm (19' 3")	5,520 mm (18' 1")	5,870 mm (19' 3")
<b>D2</b> Length with blade and 1-shank /3-shank ripper	STD 6,250 mm / 6,480 mm (20' 6" / 21' 3") LT 6,760 mm / 6,910 mm (22' 2" / 22' 8")	STD 6,400 mm / 6,550 mm (21' 6") LT 6,840 mm / 6,990 mm (22' 5" / 22' 11")	6,790 mm / 6,940 mm (22' 3" / 22' 9")	6,880 mm / 7,030 mm (22' 7" / 23' 1")	-	-
<b>E</b> Track length on ground	STD 2,640 mm (104 in) LT 3,050 mm (120 in)	3,050 mm (120 in)	3,050 mm (120 in)	3,050 mm (120 in)	3,050 mm (120 in)	3,050 mm (120 in)
<b>F</b> Width over track	2,440 mm (96 in)	2,440 mm (96 in)	2,790 mm (110 in)	2,790 mm (110 in)	3,100 mm (122 in)	3,100 mm (122 in)
<b>F1</b> Width over trunnions	2,810 mm (110.6 in)	2,810 mm (110.6 in)	2,910 mm (114.5 in)	-	3,340 mm (131.5 in)	-
<b>G</b> Track gauge	1,930 mm (76 in)	1,930 mm (76 in)	2,030 mm (80 in)	2,030 mm (80 in)	2,160 mm (85 in)	2,160 mm (85 in)

	TD-20M Extra/TD-20R Extra	
<b>A</b> Overall height - FOPS cab	3,480 mm (137 in)	
<b>A1</b> Overall height - ROPS	3,570 mm (141 in)	
<b>A2</b> Overall height - end of exhaust pipe	3,930 mm (12' 11")	
<b>B</b> Grouser height	67 mm (2.63 in)	
<b>C</b> Ground clearance	460 mm (18.1 in)	
<b>D</b> Overall length, base machine	4,340 m (171 in)	
<b>D1</b> Length with blade	STD 5,690 m (18' 8") / LT 5,910 m (19' 5")	
<b>D2</b> Length with blade and 1-shank /3-shank ripper	STD 6.89 m / 7.05 m (22' 7" / 23' 2") / LT 7.11 m / 7.27 m (23' 4" / 23' 10")	
<b>E</b> Track length on ground	STD 2,860 mm (113 in) / LT 3,080 mm (121 in)	
<b>F</b> Width over track	2,540 mm (100 in)	
<b>F1</b> Width over trunnions	2,890 mm (9 ft 6 in)	
<b>G</b> Track gauge	1,980 mm (78 in)	

# RIPPER

	TD-14M Extra/14R	TD-15M/R Extra		TD-20M Extra/R Extra	
		Single-shank	Multi-shank (3-shank)	Single-shank standard	Multi-shank (3-shank)
<b>R</b> Maximum clearance under tip (raised)	568 mm (22 in)	485 mm (19 in)	455 mm (17.9 in)	538 mm (21.2 in)	596 mm (23.5 in)
<b>S</b> Overall beam width	2,040 mm (80.3 in)	1,100 mm (43 in)	2,230 mm (88 in)	1,383 mm (54 in)	2,130 mm (84 in)
<b>T</b> Slope angle (full raise)	25 deg				
<b>U</b> Ripping width	1,980 mm (74 in)	-	2,030 mm (6' 8")	-	1,982 mm (78 in)
<b>V</b> Spacing center to center	940 mm (37 in)	-	1,015 mm (3' 4")	-	991 mm (39 in)
<b>X</b> Maximum penetration	660 mm (26 in)	713 mm (28 in)	600 mm (24 in)	834 mm (32.8 in)	700 mm (27.6 in)
<b>Z</b> Maximum pitch adjustment	-	-	-	25 deg	25 deg
Penetration force	67 kN (15,062 lb)	71.04 kN (15,970 lb)	64 kN (14,387 lb)	89.99 kN (20,230 lb)	91.1 kN (20,479 lb)
Pryout force	191 kN (42,937 lb)	390.9 kN (87,874 lb)	268.7 kN (60,404 lb)	272.3 kN (61,213 lb)	282.2 kN (63,439 lb)
Shank positions (vertical)	2				
Weight of ripper w/ 1 shank	1,422 kg (3,135 lb)	1,546 kg (3,408 lb)	1,554 kg (3,427 lb)	2,845 kg (6,272 lb)	2,900 kg (6,400 lb)
Weight of shank	111 kg (245 lb)	111 kg (245 lb)	94.5 kg (208 lb)	-	196 kg (432 lb)
	Parallelogram ripper	Parallelogram ripper with hydraulic pitch adjustment			



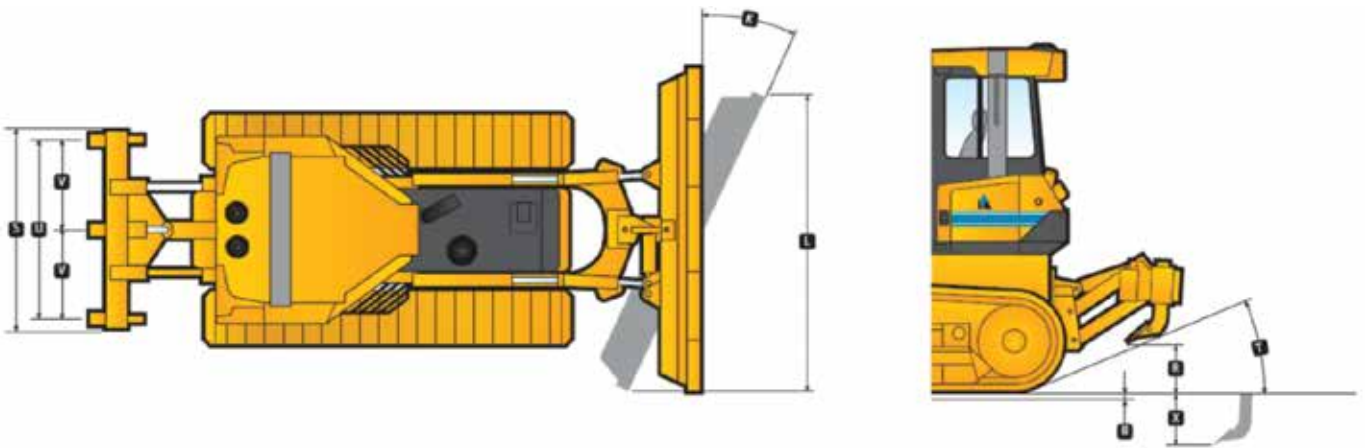
# BLADE SPECS

Type	TD-14M Extra/14R (STD & LT)	TD-14M Extra (STD & LT)	TD-14M Extra (LGP)		TD-14R (STD & LT)	TD-14R (LGP)	
	Semi-U	6-way	Straight	6-way	6-way	Straight	6-way
SAE capacity	4.28 m <sup>3</sup> (5.6 yd <sup>3</sup> )	3.2 m <sup>3</sup> (4.2 yd <sup>3</sup> )	3.05 m <sup>3</sup> (4.0 yd <sup>3</sup> )	3.8 m <sup>3</sup> (5.0 yd <sup>3</sup> )	3.4 m <sup>3</sup> (4.5 yd <sup>3</sup> )	3.17 m <sup>3</sup> (4.14 yd <sup>3</sup> )	4 m <sup>3</sup> (5.2 yd <sup>3</sup> )
<b>H</b> Blade height	1,230 mm (48 in)	1,200 mm (47 in)	1,020 mm (40 in)	1,170 mm (46 in)	1,170 mm (46 in)	1,030 mm (40.5 in)	1,170 mm (46 in)
<b>I</b> Blade width	3,370 mm (133 in)	3,220 mm (147 in)	3,700 mm (146 in)	3,830 mm (151 in)	3,720 mm (147 in)	3,840 mm (151 in)	3,980 mm (156.7 in)
<b>J</b> Blade lift height	STD 990 mm (39 in) LT 1,060 mm (42 in)	STD 990 mm (39 in) LT 1,060 mm (42 in)	1,056 mm (41.6 in)	1,085 mm (42.7 in)	STD 1,090 mm (42.9 in) LT 1,086 mm (42.7 in)	1,056 mm (41.6 in)	1,085 mm (42.7 in)
<b>K</b> Blade angle	-	25 deg	-	25 deg	25 deg	-	25 deg
<b>L</b> Blade digging depth	STD 515 mm (20.3 in) LT 500 mm (19.7 in)	STD 580 mm (22.8 in) LT 536 mm (21.1 in)	500 mm (19.7 in)	536 mm (21.1 in)	STD 580 mm (22.8 in) LT 536 mm (21.1 in)	500 mm (19.7 in)	536 mm (21.1 in)
<b>M</b> Maximum tilt	STD 545 mm (22 in) LT 510 mm (20 in)	510 mm (20 in)	595 mm (23 in)	595 mm (23 in)	510 mm (20 in)	595 mm (23 in)	
<b>N</b> Maximum blade pitch adjustment	9 deg	7 deg	9 deg	8 deg	7 deg	9 deg	8 deg
<b>O</b> Overall width with blade angled	-	3,420 mm (11' 3")	-	3,980 mm (13 ft)	3,420 mm (11' 3")	-	3,980 mm (13 ft)



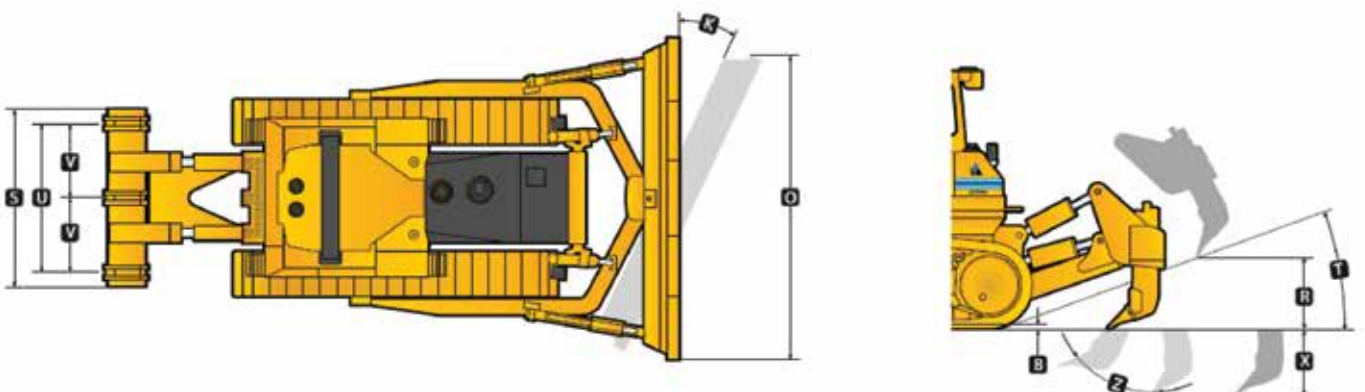
## BLADE SPECS

	TD-15M Extra/R Extra (STD & LT)		TD-15M Extra/R Extra (WT)		TD-15M Extra/R Extra (LGP)	
	Semi-U	Angle	Semi-U	6-way	Straight	6-way
SAE capacity	5.7m³ (9.2 yd³)	3.8 m³ (5.0 yd³)	5.95 m³ (7.8 yd³)	3.8 m³ (5.0 yd³)	3.6 m³ (4.7 yd³)	4.0 m³ (5.2 yd³)
H Blade height	1,460 mm (58")	1,120 mm (3' 8")	1,460 mm (58")	1,360 mm (4' 7")	1,100 mm (43")	1,360 mm (53,5")
I Blade width	3,440 mm (135")	4,130 mm (163")	3,590 mm (141")	3,680 mm (154")	3,860 mm (152")	3,830 mm (151")
J Blade lift height	STD 1,104 mm (43,5") LT 1,102 mm (43,4")	STD 1,102 mm (43,4") LT 1,119 mm (44")	1,102 mm (43,4")	1,280 mm (50,4")	1,240 mm (49")	1,280 mm (50,4")
K Blade angle	-	25 deg	-	23.5 deg	-	23.5 deg
L Blade digging depth	463 mm (18,2")	STD 552 mm (21,7") LT 542 mm (21,3")	STD 463 mm (18,2")	STD 692 mm (27")	455mm (18")	692mm (27")
M Maximum tilt	742 mm (28,5")	385 mm (15,2")	782 mm (30,8")	450 mm (18")	698 mm (27,5")	466 mm (18,3")
N Maximum blade pitch adjustment	9 deg	-	9 deg	8 deg	10 deg	8 deg
O Overall width with blade angled	-	3,750 mm (12' 4")	-	3,330 mm (10' 11")	-	3,510 mm (11' 6")



## BLADE SPECS

	TD-20M Extra / TD-20R Extra			
	Semi-U	Full-U	Angle	Straight LGP
SAE capacity	7.04 m³ (9.2 yd³)	8.45 m³ (11.1 yd³)	3.88 m³ (5.1 yd³)	6.03 m³ (7.9 yd³)
H Blade height	1,600 mm (5' 3")	1,600 mm (5' 3")	1,090 mm (43 in)	1,360 mm (54 in)
I Blade width	3,500 mm (11' 6")	3,860 mm (152 in)	4,410 mm (174 in)	4,370 mm (172 in)
J Blade lift height	STD 1,150 mm (45 in) LT 1,220 mm (48 in)	STD 1,150 mm (45 in) LT 1,220 mm (48 in)	STD 1,160 mm (46 in) LT 1,230 mm (48.4 in)	1,210 m (47.6 in)
K Blade angle	-	-	25 deg	-
L Blade digging depth	STD 505 mm (19.9 in) LT 532 mm (20.9 in)	STD 505 mm (19.9 in) LT 532 mm (20.9 in)	STD 615 mm (24.2 in) LT 647 mm (25.5 in)	522 mm (20.6 in)
M Maximum tilt	670 mm (26.3 in)	720 mm (28.3 in)	480 mm (19 in)	660 mm (26 in)
N Maximum blade pitch adjustment	25 deg	25 deg	-	-
O Overall width with blade angled	-	-	STD 5,770 mm (18' 11")	-



# STANDARD EQUIPMENT TD-14 M Extra /TD-14 R

## ENGINE

**TD-14 M Extra:** Cummins QSB6.7, EPA Tier 3/EU Stage IIIA, turbocharged, direct start, direct injection, 120 kW (160 Hp)

**TD-14 R:** Cummins QSB6.7, EPA Tier 4 Interim/EU Stage IIIB, 119 kW (160 Hp), turbocharged (HPCR), direct injection, Diesel Particulate Filter (DPF) with catalyst, electronic control module (ECM)

Antifreeze, -37°C (-34°F)

Cooling module; includes radiator, transmission oil cooler, charge air cooler; isolation mounted

Exhaust pipe extension with elbow

Filters, engine oil, full flow and by-pass with replaceable "spin-on" elements

Strainers, fuel and hydraulic tank

Muffler, under engine hood, insulated

Water separator, fuel system

**TD-14 M Extra:** Air cleaner, dry type, dual stage with dust discharge valve

Fan, belt-driven, blower

**TD-14 R:** Air cleaner, dry type, dual stage with dust discharge valve and service indicator

Fan, hydraulically driven, suction type, variable speed

## DRIVETRAIN

Torque converter, single stage

Transmission, power shift, 3 speeds forward, 3 reverse, combined with 2 speed steering provides 6 speeds forward, 6 reverse, preset travel speed selection and auto-downshift

Steering, planetary type, 2 speed, left hand single lever control (joystick)

Filters, power train, equipment hydraulics, "spin-on" micro glass type

Brakes, foot, spring applied, hydraulically released

Decelerator - right foot pedal, and brake - center foot pedal

Final drive, 2-stage

## OPERATOR'S ENVIRONMENT

Air conditioner/heater/pressurizer/defroster, underseat mounted, A/C condenser behind roof

AM/FM radio ready

Cab with 2 post ROPS, with sound suppression, 4 wipers w/ washers, inside mirror, dome light, tinted safety glass and air recirculation system (approved according to ROPS - SAE J1040 and FOPS - SAE J231)

Seat, air suspension type, adjustable with arm rests, swivel 14° to right

Seat belt (SAE J386) - 3" wide retractable

Sun visor for front cab window

Tools compartment

## INSTRUMENTATION

Engine ECM failure warning lights and switches

Gear, range, drive train and engine diagnostic display

Gauges: fuel level, engine coolant temperature, engine oil pressure, drive train system oil temperature, voltmeter, hourmeter, tachometer

Warning lights: air cleaner filter, drive train oil filters, hydraulic oil filters, transmission/clutch oil low pressure, coolant high temperature, drive train oil high temperature, fan drive oil filter, engine inlet air heater

Audible and visual warning system: low engine coolant level, low engine oil pressure

## ELECTRICAL

Alarm, back-up

Dual batteries 12 V, 960 CCA, cold start, maintenance free

Horn, electric

Lights for cab, 2 front, 2 rear

Lights with guards, 2 front - lift cylinders mounted, 2 rear - fuel tank mounted

Receptacle, starting/charging plug

Starting, 24 V

Starting aid - air grid heater

**TD-14 M Extra:** Alternator 50 A

**TD-14 R:** Alternator 70 A

## UNDERCARRIAGE (STD)

Track adjusters, hydraulic

Track chain, sealed and lubricated (LTS) with split master link, 40 links

Track chain center guides

Track chain end guides, integral

Track shoes, 560 mm (22 in) square corner

**TD-14 M Extra:** Track frame, 7 roller, 1,880 mm (74 in) gauge, oscillating type, lifespan lubricated rollers and idlers

**TD-14 R:** Track frame, 7 roller, 1,930 mm (76 in) gauge, oscillating type, lifespan lubricated rollers and idlers

## UNDERCARRIAGE (LT)

Track adjusters, hydraulic

Track chain, sealed and lubricated (LTS) with split master link, 46 links

Track chain center guides

Track chain end guides, integral

Track shoes, 560 mm (22 in) square corner

**TD-14 M Extra:** Track frame, 8 roller, 1,880 mm (74 in) gauge, oscillating type, lifespan lubricated rollers and idlers

**TD-14 R:** Track frame, 8 roller, 1,930 mm (76 in) gauge, oscillating type, lifespan lubricated rollers and idlers

## UNDERCARRIAGE (LGP)

Track adjusters, hydraulic

Track chain center guides

Track chain end guides, integral

**TD-14 M Extra:** Track chain, sealed and lubricated (LTS) with split master link, 46 links

Track frame, 8 roller, 2136 mm (84 in) gauge, oscillating type, lifespan lubricated rollers and idlers

Track shoes, 915 mm (36 in) square corner

**TD-14 R:** Track chain, sealed and lubricated (LTS) with split master link, 46 links

Track frame, 8 roller, 2,240 mm (88 in) gauge, oscillating type, lifespan lubricated rollers and idlers

Track shoes, 915 mm (36 in) square corner

## GUARDS

Crankcase, hinged, with front pull hook, transmission, fan, radiator, sprocket rock and dirt deflector

Engine hood, solid, sloped

Engine side doors, hinged, perforated type

Final drive seal guard

Radiator guard door, louvered, hinged

Tank guard, bolted (0.5 in plate protects fuel tank and hydraulic reservoir). Includes deduct for standard rear access platform

## HYDRAULIC CONTROLS

3-spool valve, 1 lever with pilot operated blade control (lift/tilt), ready for ripper

## OTHER STANDARD EQUIPMENT:

Diagnostic centers for power train and equipment hydraulic pressures

Ecological drains for engine oil, radiator coolant and hydraulic oil

Hitch, retrieval

Manuals, parts and operator's

**TD-14 M Extra:** Rear access steps



## OPTIONAL EQUIPMENT TD-14 M Extra / TD-14 R

### BLADE EQUIPMENT (STD & LT)

Semi-U, 4.28 m<sup>3</sup> (5.6 yd<sup>3</sup>), complete with all blade components, includes hydraulic tilt and manual pitch

**TD-14 M Extra:** 6-way, 3.2 m<sup>3</sup> (4.2 yd<sup>3</sup>), full hydraulic, inside arm with hydraulic tilt and angle and manual pitch, complete with all blade components.

**TD-14 R:** 6-way, 3.4 m<sup>3</sup> (4.5 yd<sup>3</sup>), full hydraulic, inside arm with hydraulic tilt and angle and manual pitch, complete with all blade components.

### BLADE EQUIPMENT (LGP)

**TD-14 M Extra:** Straight, 3.05 m<sup>3</sup> (4.0 yd<sup>3</sup>), complete with all blade components, includes hydraulic tilt and manual pitch

6-way, 3.8 m<sup>3</sup> (5.0 yd<sup>3</sup>), full hydraulic, inside arm with hydraulic tilt and angle and manual pitch, complete with all blade components.

**TD-14 R:** Straight, 3.17 m<sup>3</sup> (4.15 yd<sup>3</sup>), complete with all blade components, includes hydraulic tilt and manual pitch

6-way, 4.0 m<sup>3</sup> (5.23 yd<sup>3</sup>), full hydraulic, inside arm with hydraulic tilt and angle and manual pitch, complete with all blade components.

### REAR MOUNTED EQUIPMENT (STD & LT)

Fixed drawbar

Ripper, multi-shank beam, with three shanks

### REAR MOUNTED EQUIPMENT (LGP)

Fixed drawbar

### TRACK SHOES (STD)

610 mm (24 in) shoes, square corner

### TRACK SHOES (LT)

610 mm (24 in) shoes, square corner

### OPERATOR'S ENVIRONMENT

Heater/pressurizer/defroster, cab without air conditioner (A/C)

For use with cab:

- Air recirculation system with MSHA filters, severe service
- AM/FM CD radio
- Mirrors, 2 pcs, exterior
- Sun visors (2), additional, for side door windows
- Lights, 2 front, ROPS mounted

Canopy ROPS/FOPS

Includes deduction for standard cab and air conditioner.

Includes vinyl seat, operator platform covers, instrument panel guard

ROPS structure for use with sweeps

Includes vinyl seat, operator platform covers and instrument panel guard. Not for use with cab

### GUARDS

Track roller guard (full length)

Transmission and engine crankcase guards, severe service. Crankcase guard with front pull hook

Engine hood, perforated

### SCREENS

Sweeps, forestry, front and rear; include exhaust pipe extension with guard and guard for fuel tank and hydraulic reservoir

Screen rear (required for winch application), for use with forestry sweeps

Screen for all cab windows (front, rear, side, doors) bolted, painted black

Screen for cab lights (2 front, 2 rear), painted black

Screen for tractor lights (2 front, 2 rear)

Screen for ROPS mounted lights (2 front)

### ADDITIONAL OPTIONS

Inspection lamp, 24 V, portable, with 6 m (20') cable

Vandalism protection for use with engine enclosures

Maintenance tool kit, 17 items in a metal box

1000 h maintenance package (filters)

1500 h maintenance package (filters)

2000 h maintenance package (filters)

Starting/charging receptacle plug assembly (required to jump-start or charge batteries)

### EXPORT PACKING

Export packing, drive on / drive off; machine on the trailer

Export packing, drive on / drive off machine on the railway wagon

### SFRs

Trimble Ready Option: factory preinstalled hydraulics, harness and brackets for the Trimble

Grade Control System components

Beacon light, rotating

Centralized Lubricating System for machine with/without ripper

Fuel Filtration System Fleetguard

Fuel heater

# STANDARD EQUIPMENT TD-15 M Extra / TD-15 R EXTRA

## ENGINE

**TD-15 M Extra:** Cummins QSC 8.3, EPA Tier 3/EU Stage III A, turbocharged, direct start, direct injection, 142 kW (190 Hp)

**TD-15 R Extra:** Cummins QSB 6.7, EPA Tier 4 Final/EU Stage IV, emission certified, turbocharged, High Pressure Common Rail (HPCR), Diesel Oxidation Catalyst (DOC) + selective catalytic reduction (SCR), electronic control module (ECM), 154 kW (205 Hp)

Antifreeze, -37°C (-34°F)

Cooling module; includes radiator, transmission oil cooler, charge air cooler (CAC); isolation mounted

Coolant filter conditioner

Exhaust pipe extension with elbow

Filters, engine oil, full flow and by-pass with replaceable "spin-on" elements

Water separator, fuel system

**TD-15 M Extra:** Air cleaner, dry type with exhaust aspirated primary, safety elements and service indicator

Fan, belt-driven, blower

Muffler, under engine hood, insulated

**TD-15 R Extra:** Air cleaner, Cummins Filtration Direct Flow™, dry type with pre-cleaner, dust ejector system, exhaust aspiration and electronic service indicator

Fan, hydraulically driven, blower

## DRIVETRAIN

Torque converter, single stage

Transmission, power shift, 3 speeds forward, 3 reverse, combined with 2 speed steering provides 6 speeds forward, 6 reverse, preset travel speed selection and auto-downshift

Steering, planetary type, 2 speed, left hand single lever control (joystick)

**TD-15 M Extra:** Filters, power train, equipment hydraulics, "spin-on" micro glass type

Brakes, foot, spring applied, hydraulically released

Decelerator - right foot pedal, and brake - center foot pedal

Final drive, 2-stage

## OPERATOR'S ENVIRONMENT

Air conditioner/heater/pressurizer/defroster, underseat mounted, A/C condenser behind roof

AM/FM radio ready

Cab with 2 post ROPS, with sound suppression, 4 wipers w/washers, inside mirror, dome light, tinted safety glass and air recirculation system (approved according to ROPS - SAE J1040 and FOPS - SAE J231)

Seat, air suspension type, fabric cover, adjustable with arm rests, swivel 14° to right

Seat belt (SAE J386) - 3" wide, retractable

Sun visor for front cab window

Tools compartment

## INSTRUMENTATION

**TD-15 M Extra:** Gauges: fuel level, engine coolant temperature, engine oil pressure, torque converter oil temp, voltmeter, hourmeter, joystick control display

Warning lights: air cleaner filter, transmission oil filter, hydraulic oil filter, transmission / clutch oil low pressure

Audible & visual warning system: low engine coolant level, low engine oil pressure

**TD-15 R Extra:** Electronic Monitoring System, LCD display:

Normal and diagnostic operating modes for engine and drive train, hourmeter, gear, range

Gauges: voltmeter (battery charge), drive train oil temperature, fuel level, coolant temperature, tachometer (engine rpm), AdBlue® tank level

Engine and drive train diagnostics program indicator lights

Engine intake air heating (grid heater) indicator light

Warning lights: engine ECM status, high drive train oil temperature, low coolant level, low engine oil pressure, high coolant temperature, low fuel level, high exhaust system temperature, AdBlue® tank low level, battery charge level, low transmission/clutch oil pressure

Warning lights - filters: air cleaner filter, exhaust system (SCR) filter, fan drive system filter, hydraulic oil filters, drive train pressure filter

Audible alarm for low coolant level, low engine oil pressure, high coolant temperature

## ELECTRICAL

Alarm, back-up

Dual batteries 12 V, 960 CCA, cold start, maintenance free

Horn, electric

Lights for cab, 2 front, 2 rear

Lights with guards, 2 front - lift cylinders mounted, 2 rear - fuel tank mounted

Receptacle, starting/charging plug

Starting, 24 V

Starting aid - air grid heater

**TD-15 M Extra:** Alternator 50 A

**TD-15 R Extra:** Alternator 110 A

## GUARDS

Crankcase, hinged, with front pull hook, transmission, fan, radiator, sprocket rock and dirt deflector

Engine hood, solid, sloped

Engine side doors, hinged, perforated type

Final drive seal guard

Radiator guard door, louvered, hinged

## UNDERCARRIAGE (STD)

Track adjusters, hydraulic

Track chain, sealed and lubricated (LTS) with split master link, 39 links

Track chain end guides, integral

Track frame, 6 roller, 1,930 mm (76 in) gauge, oscillating type, lifespan lubricated rollers and idlers

Track shoes, 508 mm (20 in) severe service

## UNDERCARRIAGE (LT)

Track adjusters, hydraulic

Track chain, sealed and lubricated (LTS) with split master link, 43 links

Track chain center guides

Track chain end guides, integral

Track frame, 8 roller, 1,930 mm (76 in) gauge, oscillating type, lifespan lubricated rollers and idlers

Track shoes, 508 mm (20 in) severe service

## UNDERCARRIAGE (WT)

Track adjusters, hydraulic

Track chain, sealed and lubricated (LTS) with split master link, 43 links

Track chain center guides

Track chain end guides, integral

Track frame, 8 roller, 2,030 mm (80 in) gauge, oscillating type, lifespan lubricated rollers and idlers

Track shoes, 762 mm (30 in) severe service

## UNDERCARRIAGE (LGP)

Track adjusters, hydraulic

Track chain, sealed and lubricated (LTS) with split master link, 43 links

Track chain center guides

Track chain end guides, integral

Track frame, 8 roller, 2,160 mm (85 in) gauge, oscillating type, lifespan lubricated rollers and idlers

Track shoes, 940 mm (37 in) extreme clipped corner with bolt holes for third rail track

## HYDRAULIC CONTROLS

3-spool valve, 1 lever with pilot operated blade control (lift/tilt), ready for ripper

## OTHER STANDARD EQUIPMENT:

Diagnostic centers for power train and equipment hydraulic pressures

Ecological drains for engine oil, radiator coolant and hydraulic oil

Hitch, retrieval

Rear access platform

Manuals, parts and operators

**TD-15 R Extra:** Filters: power train, equipment hydraulics, fuel

**TD-15 M Extra:** Fuel strainer and hydraulic tank



# OPTIONAL EQUIPMENT TD-15 M Extra / TD-15 R EXTRA

## BLADE EQUIPMENT (STD & LT)

Semi-U, 5.70 m<sup>3</sup> (7.45 yd<sup>3</sup>), complete with all blade components, includes hydraulic tilt and manual pitch or hydraulic tilt/pitch

Angle (manual angle), 3.8 m<sup>3</sup> (5.0 yd<sup>3</sup>), complete with all blade components, includes heavy duty struts, with or without hydraulic tilt

**(WT)** Semi-U, 5.95 m<sup>3</sup> (7.78 yd<sup>3</sup>), complete with all blade components, includes hydraulic tilt and manual pitch or hydraulic tilt/pitch

Angle (6-way), 3.8 m<sup>3</sup> (5.0 yd<sup>3</sup>), full hydraulic, inside arm with hydraulic tilt and angle and manual pitch, complete with all blade components and steps on track frame

**(LGP)** Straight, 3.6 m<sup>3</sup> (4.7 yd<sup>3</sup>), complete with all blade components, includes hydraulic tilt and manual pitch

Angle (6-way), 4.0 m<sup>3</sup> (5.2 yd<sup>3</sup>), full hydraulic, inside arm with hydraulic tilt and angle and manual pitch, complete with all blade components and steps on track frame

## REAR MOUNTED EQUIPMENT (STD & LT) (WT)

Fixed drawbar

Replaces the standard retrieval hitch

Ripper, multi-shank beam, with three shanks, partially mounted, includes deduct for standard hitch

Ripper, single-shank beam, with shank, partially mounted, includes deduct for standard hitch

## REAR MOUNTED EQUIPMENT (LGP)

Fixed drawbar

## TRACK SHOES

### (STD)

560 mm (22 in) shoes, severe service

610 mm (24 in) shoes, severe service

660 mm (26 in) shoes, severe service

### (LT)

560 mm (22 in) shoes, square corner, severe service

610 mm (24 in) shoes, square corner, severe service

660 mm (26 in) shoes, square corner, severe service

### (WT)

508 mm (20 in) shoes, square corner, severe service

560 mm (22 in) shoes, square corner, severe service

610 mm (24 in) shoes, square corner, severe service

660 mm (26 in) shoes, square corner, severe service

### (LGP)

660 mm (26 in) shoes, square corner, severe service

Std 940 mm (37 in) shoes with third rail track system (adds half chain assembly to outer ends of 37 in shoes)

## OPERATOR'S ENVIRONMENT

Heater/pressurizer/defroster, cab without air conditioner (A/C)

For use with cab:

- Air recirculation system with MSHA filters, severe service
- AM/FM CD radio
- Mirrors, 2 pcs, exterior
- Sun visors (2), additional, for side door windows
- Lights, 2 front, ROPS mounted

Canopy ROPS/FOPS (Includes vinyl seat, operator platform covers, instrument panel guard and lights, 2 front, 2 rear.)

ROPS structure for use with sweeps (Includes vinyl seat, operator platform covers and

instrument panel guard)

## SCREENS

Sweeps, forestry, front and rear, for standard cab with ROPS or open ROPS machine; include exhaust pipe extension with guard and guard for fuel tank and hydraulic reservoir

Screen, rear (required for winch application), for use with forestry sweeps

Screens for cab windows (front, rear, side, doors)

bolted, black painted

Screens for cab lights (2 front, 2 rear), black painted

Screens for tractor lights (2 front, 2 rear)

Screens for ROPS mounted lights, (2 front)

## GUARDS

Final drive rock guard

Track roller guards, full length

Transmission and engine crankcase guards, heavy duty; crankcase guard with front pull hook

Engine hood, perforated

Tank guard, bolted (0.5 in plate protects fuel tank and hydraulic reservoir)

## ADDITIONAL OPTIONS

**TD-15 M Extra:** Sound suppression package, for use with std solid hood

Starting/charging receptacle plug assembly (required to jump-start or charge batteries)

Vandalism protection for use with engine enclosures

Maintenance tool kit, 17 items in a metal box

1000 h maintenance package (filters)

1500 h maintenance package (filters)

2000 h maintenance package (filters)

**TD-15 M Extra:** inspection lamp, portable

## EXPORT PACKING

Export packing, drive on / drive off

Machine on the trailer

Export packing, drive on / drive off

Machine on the railway wagon

## SFRs

Centralized Lubricating System, for machine with or without ripper

Trimble Ready Option; factory preinstalled hydraulics, harness and brackets for the

Trimble Grade Control System components

# STANDARD EQUIPMENT TD-20 M Extra / TD-20 R EXTRA

## ENGINE

**TD-20 M Extra:** Cummins QSC 8.3, EPA Tier 3/EU Stage III A, turbocharged, direct start, direct injection, 179 kW (240 Hp)

**TD-20 R Extra:** Cummins QSL 9, Tier 4 Final/EU Stage IV, turbocharged with high pressure injection (HPI), selective catalytic reduction (SCR), electronic control module (ECM), 185 kW (248 Hp)

Antifreeze, -37°C (-34°F)

Cooling module; includes radiator, transmission oil cooler, hydraulic oil / fan drive oil cooler, charge air cooler (CAC); isolation mounted

Coolant filter conditioner

Exhaust pipe extension with elbow

Fan, hydraulically driven, suction type, variable speed

Filters, engine oil, full flow and by-pass with replaceable "spin-on" elements

Water separator, fuel system

**TD-20 M Extra:** Air cleaner, dry type with exhaust aspirated primary, safety elements and service indicator

Muffler, under engine hood, insulated

**TD-20 R Extra:** Air cleaner, Cummins Filtration Direct Flow™, dry type with precleaner, exhaust aspiration and electronic service indicator

Diesel Particulate Filter with catalyst (DPF)

## DRIVETRAIN

Torque converter, single stage

Transmission, power shift, 3 speeds forward, 3 reverse, combined with 2 speed steering provides 6 speeds forward, 6 reverse, preset travel speed selection and auto-downshift

Steering, planetary type, 2 speed, left hand single lever control (joystick)

Filters, power train, equipment hydraulics, "spin-on" micro glass type

Brakes, foot, spring applied, hydraulically released

Decelerator - right foot pedal, and brake - center foot pedal

Final drive, 2-stage, planetary

## OPERATOR'S ENVIRONMENT

Air conditioner/heater/pressurizer/defroster, underseat mounted, A/C condenser behind roof

AM/FM radio ready

Cab with 2 post ROPS, with sound suppression, 4 wipers w/washers, inside mirror, dome light, tinted safety glass and air recirculation system (approved according to ROPS - SAE J1040 and FOPS - SAE J231)

Seat, air suspension type, fabric cover, adjustable with arm rests, swivel 14° to right

Seat belt (SAE J386) - 3" wide retractable

Sun visor for front cab window

Tools compartment

## INSTRUMENTATION

**TD-20 M Extra:** Gauges: fuel level, engine coolant temperature, engine oil pressure, torque converter oil temp., voltmeter, hourmeter, joystick control display

Warning lights: air cleaner filter, transmission oil filter, hydraulic oil filter, transmission/clutch oil low pressure

Audible & visual warning system: low engine coolant level, low engine oil pressure

**TD-20 R Extra:** Electronic Monitoring System, LCD display: Normal and diagnostic operating modes for engine and drive train, hourmeter, gear, range

Gauges: voltmeter (battery charge), drive train oil temperature, fuel level, coolant temperature, tachometer (engine rpm), AdBlue® tank level

Engine and drive train diagnostics program indicator lights

Warning lights: engine ECM status, high drive train oil temperature, low coolant level, low engine oil pressure, high coolant temperature, low fuel level, high exhaust system temperature, AdBlue® tank low level, battery charge level, low transmission/clutch oil pressure

Warning lights - filters: air cleaner filter, exhaust system (SCR) filter, fan drive system filter, hydraulic oil filters, drive train pressure filter

Audible alarm for low coolant level, low engine oil pressure, high coolant temperature

## ELECTRICAL

Alarm, back-up

Dual batteries 12 V, 960 CCA, cold start, maintenance free

Horn, electric

Lights for cab, 2 front, 2 rear

Lights with guards, 2 front - lift cylinders mounted, 2 rear - fuel tank mounted

Receptacle, starting/charging plug

Starting, 24 V

**TD-20 M Extra:** Alternator 50 A

Starting aid - air grid heater

**TD-20 R Extra:** Alternator 110 A

## UNDERCARRIAGE (STD)

Track adjusters, hydraulic

Track chain, sealed and lubricated (LTS) with split master link, 40 links

Track chain end guides, integral

Track frame, 6 roller, 1,981 mm (78 in) gauge oscillating type, lifespan lubricated rollers and idlers

Track shoes, 560 mm (22 in), grouser type

## UNDERCARRIAGE (LT)

Track adjusters, hydraulic

Track chain, sealed and lubricated (LTS) with split master link, 42 links

Track chain center guides

Track chain end guides, integral

Track frame, 7 roller, 1,981 mm (78 in) gauge, oscillating type, lifespan lubricated rollers and idlers

Track shoes, 560 mm (22 in), grouser type

## UNDERCARRIAGE (LGP)

Track adjusters, hydraulic

Track chain, sealed and lubricated (LTS) with split master link, 42 links

Track chain center guides

Track chain end guides, integral

Track frame, 7 roller, 2,180 mm (86 in) gauge oscillating type, lifespan lubricated rollers and idlers

Track shoes, 864 mm (34 in), extreme clipped corner grouser type

## GUARDS

Crankcase, hinged, with front pull hook, transmission, fan, radiator, sprocket rock and dirt deflector

Engine hood, solid, sloped

Engine side doors, hinged, perforated type

Final drive seal guard

Radiator guard door, two-piece, louvered, hinged

## HYDRAULIC CONTROLS

3-spool valve, 1 lever with pilot operated blade control (lift/tilt), ready for ripper

## OTHER STANDARD EQUIPMENT:

Diagnostic centers for power train and equipment hydraulic pressures

Drawbar, rigid

Ecological drains for engine oil, radiator coolant and hydraulic oil

Rear access platform

Manuals, parts and operator's

**TD-20 M Extra:** Fuel stainer

**TD-20 R Extra:** Strainers, fuel and hydraulic tanks

## OPTIONAL EQUIPMENT TD-20 M Extra / TD-20 R EXTRA

### BLADE EQUIPMENT (STD & LT)

Semi-U, 7.04 m<sup>3</sup> (9.2 yd<sup>3</sup>), complete with all blade components, includes hydraulic tilt and manual pitch or hydraulic tilt/pitch

Full-U, 8.45 m<sup>3</sup> (11.1 yd<sup>3</sup>), complete with all blade components, includes hydraulic and manual pitch or hydraulic tilt/pitch

Angle (manual), 3.88 m<sup>3</sup> (5.1 yd<sup>3</sup>), complete with all blade components, with or without hydraulic tilt

### BLADE EQUIPMENT (LGP)

Straight, 6.03 m<sup>3</sup> (7.9 yd<sup>3</sup>), complete with all blade components, includes hydraulic tilt and manual pitch

### REAR MOUNTED EQUIPMENT (STD & LT)

Drawbar, heavy-duty, counterweight

Ripper with hydraulic pitch, multi-shank beam, with three shanks

Ripper with hydraulic pitch, single-shank beam, with shank, with hydraulic pin puller

### REAR MOUNTED EQUIPMENT (LGP)

Drawbar, fixed

### TRACK SHOES (STD & LT)

610 mm (24 in) shoes, clipped corner

660 mm (26 in) shoes, clipped corner

### OPERATOR'S ENVIRONMENT

Heater/pressurizer/defroster; cab without air conditioner (A/C)

For use with cab:

- Air recirculation system with MSHA filters, heavy duty
- AM/FM CD radio
- Mirrors, 2 pcs, exterior
- Sun visors (2), additional, for side door windows
- Lights, 2 additional, ROPS mounted

Canopy ROPS/FOPS (Includes vinyl seat, operator platform covers, instrument panel guard and lights, 2 front, 2 rear.)

ROPS structure for use with sweeps (Includes vinyl seat, operator platform covers and instrument panel guard)

### SCREENS

Sweeps for forestry application, front and rear. Include exhaust pipe extension with guard and guard for fuel tank and hydraulic reservoir

Screen, rear (required for winch application), for use with forestry sweeps

Screens for cab windows (front, rear, side, doors) bolted, black painted

Screens for cab lights (2 front, 2 rear), black painted

Screens for tractor lights (2 front, 2 rear)

Screens for ROPS mounted lights, (2 front)

### GUARDS

Track roller guards, full length

Transmission and engine crankcase guards, heavy duty; crankcase guard with front pool hook

Engine hood, perforated

Tank guard, bolted (0.5 in plate protects fuel tank and hydraulic reservoir)

### ADDITIONAL OPTIONS

**TD-20M Extra:** Inspection lamp, 24 V, portable, with 6 m (20') cable

Starting/charging receptacle plug assembly

Vandalism protection for use with cab, with engine enclosures.

Vandalism protection for use with canopy ROPS/FOPS, with engine enclosures.

Maintenance tool kit, 17 items in a metal box

1,000 h maintenance package (filters)

1,500 h maintenance package (filters)

2,000 h maintenance package (filters)

### EXPORT PACKING

Export packing, drive-on/drive-off, machine on the trailer

Export packing, drive-on/drive-off, machine on the railway wagon

### SFRs

Centralized Lubricating System, for machine with or without ripper

Trimble Ready Option, factory preinstalled hydraulics, harness and brackets for the

Trimble Grade Control System components



Specifications may change from time to time and this brochure may not reflect the latest specifications. Photographs in this brochure may not reflect market configuration. Please consult your dealer to confirm specifications and configurations.



Dressta encourages safe worksites.  
Please consult operator's manual before use of any Dressta equipment.



---

[info@dressta.com](mailto:info@dressta.com)  
[www.dressta.com](http://www.dressta.com)

**DR-PB-TD14/15/20-T3/T4F-A4-30032017-ENG**

