

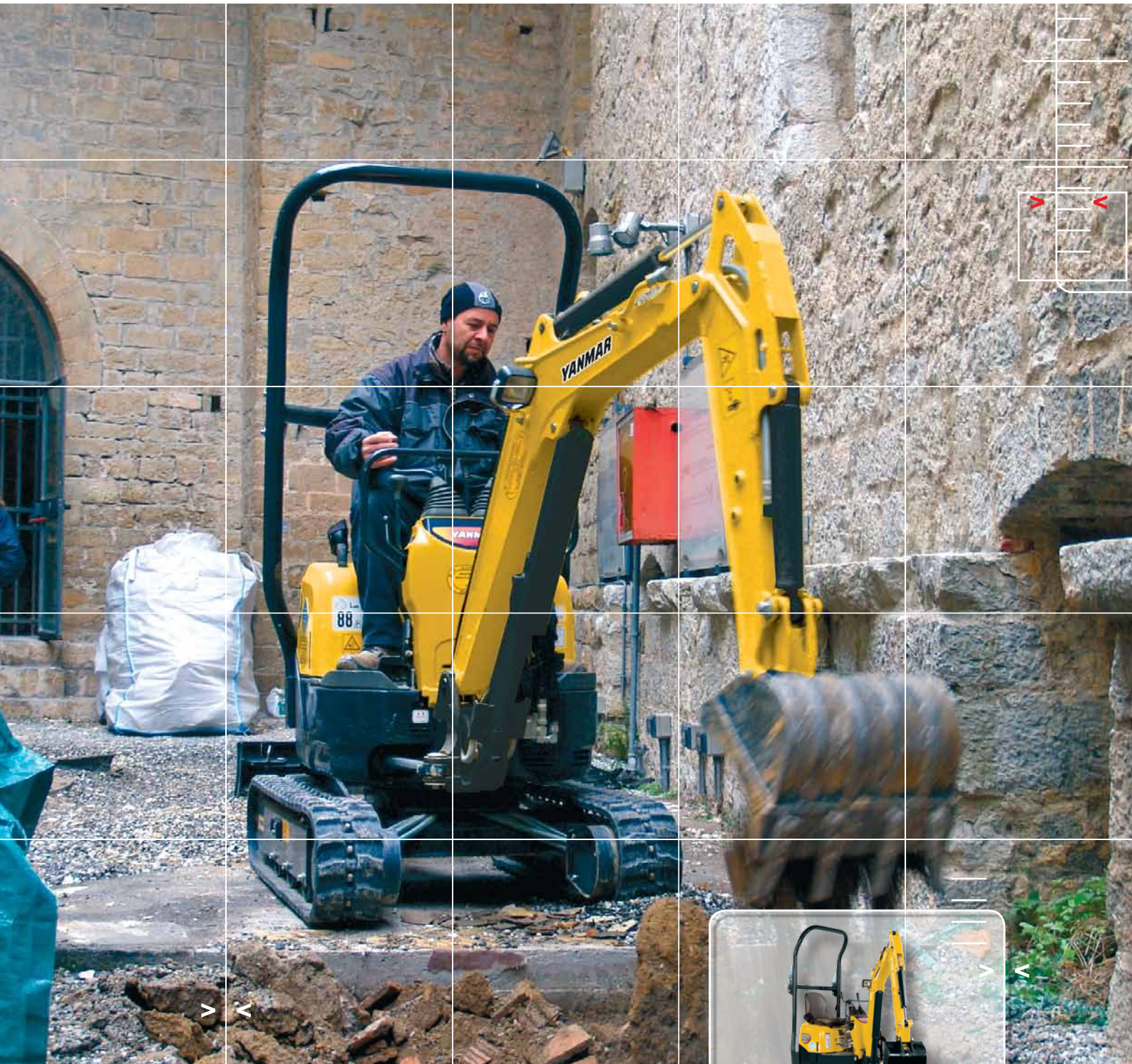


YANMAR

MINI-EXCAVATOR

ViO10-2A

1220 kg





> COMPACTNESS

ViO10-2A

Here's the shape for simple and efficient work in confined spaces. The ViO10-2A is a tenacious worker for narrow spots such as housing foundations, indoor renovation, pipe laying and landscaping.



Design principles

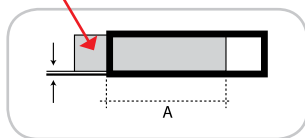
The ViO10-2A is a real Zero Tail Swing machine:

- > Extended undercarriage, neither the counterweight nor the front part of the upper frame exceed the width of the crawlers.
- > Retracted undercarriage, the rear of the machine only exceeds 85 mm.
- > Front swing radius with boom swing: 1080 mm.
- > Rear swing radius: only 650 mm.
- > Width of the machine reduced to 830 mm when the undercarriage is retracted.

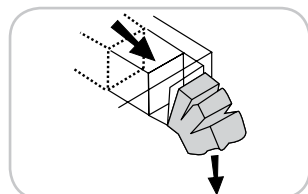
Extendable undercarriage of unique conception

- > Reduced clearance between the sliding parts: no soil build-up during the extension of undercarriage.
- > High reliability over a long-term period.
- > The ViO10-2A is extremely stable due to the use of an extended undercarriage and good weight distribution.

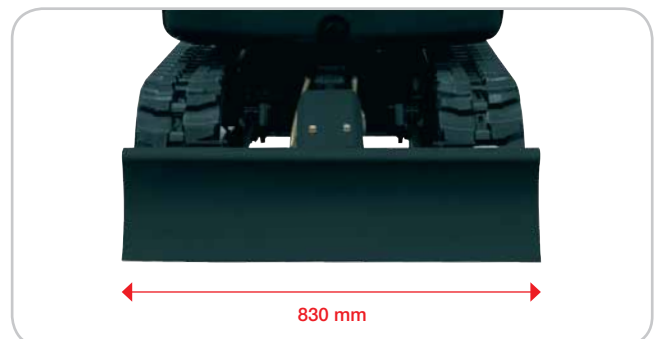
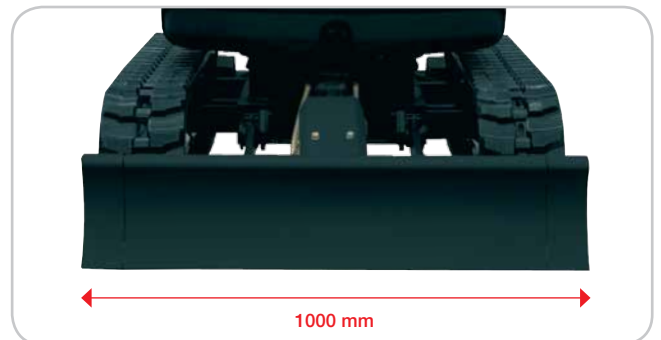
Sliding parts



Small play due to long overlap (A)



Clogged mud is easily pushed out



Simple folding extendable blade

- > The hinged blade extensions are permanently fixed on the blade.
- > No tools are necessary to change quickly the position.
- > No risk to lose the blade extensions.

> HIGH PERFORMANCE

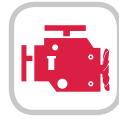
ViO10-2A



Combining long experience and unrivalled expertise, YANMAR's technology ensures environmental performance and high efficiency.



A new-generation Yanmar "TNV" (Totally New Value) engine



- > Fully compliant with European norm 97/68/EC (exhaust emissions) and the latest American norms, EPA Stage II.
- > Low speed - increased life.

- > Less vibration.
- > Use of a Yanmar engine 3 cylinders and an hydraulic system using a variable flow double piston pump: high productivity.
- > High digging forces for such a machine.

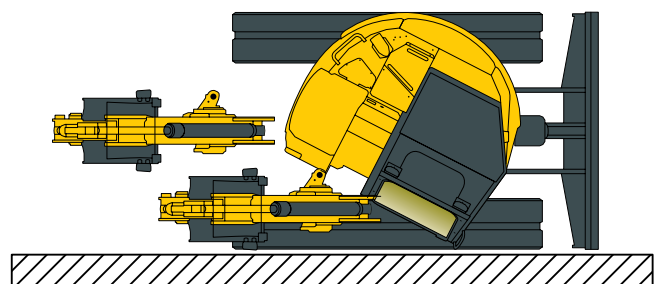
Working equipment

- > Dual or single-action auxiliary circuit to add various accessories (swivelling ditch cleaning buckets).
- > Lifting of the machine on one point thanks to a hook on the top of the boom.



Advantages for the user

- > Easy access in narrow areas.
- > Possibility to work along a wall.
- > The ViO concept allows the operator to work without paying attention to the rear of the machine: safety and productivity.
- > Machine perfectly adapted for restoration of houses.
- > Easy use, even for unexperienced users.





> COMFORT & SAFETY

ViO10-2A

The many easy to use features include the comfortable seat with retractable seatbelt, sensitive lever controls, a footrest, and uncomplicated lever arrangement.



Ergonomic pilot system

- > Progressive hydraulic pilot system for more precision.
- > Separate pedals for the 3rd circuit (PTO) and boom swing: possibility of combined movements.
- > Both pedals are fitted with solid protections made from steel that can be folded sideways.
- > Access to operating position on both sides.



PTO pedal and boom pedal fitted with foldable protections in order to avoid unwanted movements.

ROPS protective frame

- > Roll Over Protective Structure.
- > Can be folded rearwards, allowing the machine to travel under low overhead heights.

Safety for the operator

- > Retractable seat belt.
- > Safety lever to lock the main functions of the machine.
- > Safety bar on the front part of the machine.
- > Large cast iron counterweight to protect the rear of the machine.
- > Working lamp on the boom.

Access to operating position on both sides

Progressive hydraulic pilots
Safety bar



Large cast iron counterweight



> RELIABILITY & ACCESSIBILITY

ViO10-2A



Simple maintenance structure for fast and easy access wherever it's needed.



Easy access to maintenance points

- > A large engine bonnet allows quick access for main components.
- > Left side protection in steel easily removable (access to filter).



- > Perfect protection on blade cylinder.



- > Hydraulic hoses pass in the center of the upper frame: perfect protection and no twisting.



- > Careful routing of hydraulic pipes and hoses.



- > Perfect protection on boom cylinder.



> TECHNICAL SPECIFICATIONS

ViO10-2A

Engine

Yanmar diesel 3 cylinders	3TNV70-WBVB
Rated output (DIN 6270B)	9.2 kw/12.5 HP/2000 rpm
Displacement	854 cm ³
Max. torque.....	52 N.m./1600 rpm

Hydraulic circuit

System capacity	14.3 l
Max. pressure.....	210 bar
Variable flow dual piston pump	2 x 11 l/mn

Performances

Travelling speed.....	2.1 km/h
Swing speed	10 rpm
Digging force (arm/bucket)	570/1400 kgf
Boom swing (L/R).....	50°/90°
Ground pressure	0.26 kg/cm ²
Grade ability	30°
Shoe width.....	180 mm
Ground clearance.....	140 mm
Blade (width x height)	830/1000 x 220 mm

Miscellaneous

Fuel tank	12 l
Cooling system.....	2.5 l
Transport dimensions (L x w x h).....	3040 x 1000 x 1420 mm
Noise level LwA (2000/14/EC & 2005/88/EC)	88 dBA

Optional equipment

- > Special paint
- > Standard buckets
- > Ditch cleaning buckets
- > Swivelling buckets
- > Hydraulic breaker

PTO	Theoretical data at 2000 rpm	
	Pressure	Oil flow
	0 ~ 210 bar	22 ~ 13 l/mn
	0 ~ 210 bar	22 ~ 13 l/mn

> The oil flow reduces as the pressure increases.



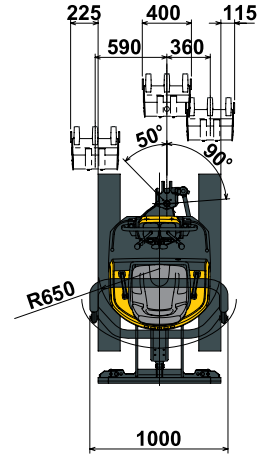
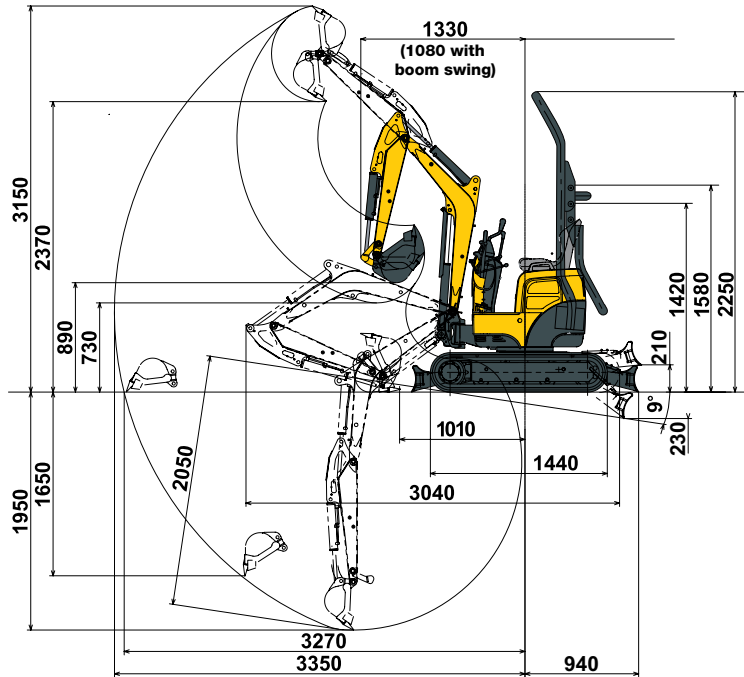
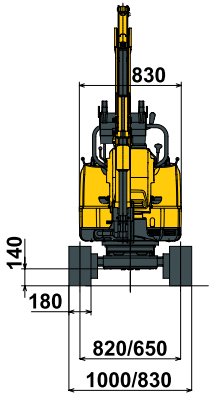
TECHNICAL SPECIFICATIONS

ViO10-2A



Operating weight +-2% (EC Norms):
> 1220 kg

Transport weight +-2% (EC Norms):
> 1145 kg



Subject to any technical modifications.
Dimensions given in mm with standard Yanmar bucket.

Blade on ground

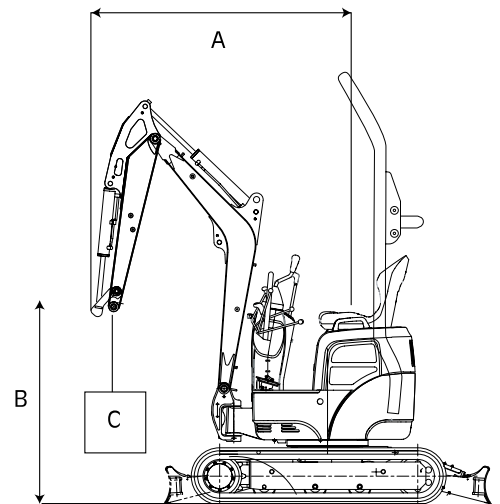
A	Maxi			2.5 m			2.0 m			1.5 m			C
	N	W	Icon	N	W	Icon	N	W	Icon	N	W	Icon	
2.0	*185	115	Icon	*185	120	Icon	*190	*185	145	*185	-	-	-
1.5	125	95	Icon	155	120	Icon	*205	*205	165	*205	-	-	-
1.0	115	90	Icon	*230	145	Icon	*240	200	160	*270	*380	255	*370
0.5	110	85	Icon	*245	145	Icon	*270	195	150	*345	305	210	*550
0	115	85	Icon	*260	140	Icon	*305	185	140	*385	275	205	*600
-0.5	125	90	Icon	*280	145	Icon	*305	180	135	395	260	210	615

Blade above ground

A	Maxi			2.5 m			2.0 m			1.5 m			C
	N	W	Icon	N	W	Icon	N	W	Icon	N	W	Icon	
2.0	*185	110	Icon	*185	120	Icon	*190	*185	145	*185	-	-	-
1.5	125	90	Icon	155	115	Icon	*205	205	160	*205	-	-	-
1.0	115	85	Icon	145	110	Icon	180	200	155	*265	380	245	*365
0.5	110	80	Icon	145	100	Icon	170	195	145	230	305	200	355
0	115	80	Icon	135	100	Icon	175	185	140	230	270	200	335
-0.5	125	90	Icon	155	140	Icon	165	175	130	215	260	200	330

Machine with rubber crawlers, bucket of 20 kg (400 mm).

A: Overhang from rotational axis (m).
B: Height of hooking point (m).
C: Safe working load (kg).
N: Retracted undercarriage.
W: Extended undercarriage.



Icon: Tipping load, rating over front

Icon: Tipping load, rating over side 90°

The data contained in these tables represent the lifting capacity in accordance with ISO standard 10567. They correspond to 75% of the maximum static tipping load or 87% of the hydraulic lifting power. Datas marked * are the hydraulic limits of the lifting power.



YANMAR



Printed in France – Materials and specifications are subject to change from the manufacturer without notice. Please contact your local Yanmar Construction Equipment Europe dealer for further information.

Yanmar Construction Equipment Europe S.A.S.

25, rue de la Tambourine
52100 SAINT DIZIER – FRANCE
contact@yanmar.fr

www.yanmarconstruction.eu