

SKID LOADERS

330 KG

AS12



AS12

COMFORT AND QUICK MAINTENANCE

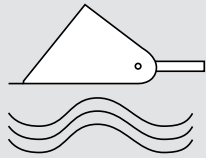
The smallest, most compact, silent, productive and easy to service wheeled skid loader. With an operating weight of 1330 kg, the machine reaches an operating load of 330 kg and delivers breakout force of 750 kgf.

Height at bucket
pin 2540 mm



The “blowing” fan cools
the engine compartment and
reduces heat transmission
to driver’s seat

No efforts during cab tilting
thanks to two powerful jacks



FLOAT FUNCTION

During reverse travel levelling, the standard float function frees the arms, and hence the bucket, to float over the profile of the terrain, so that the operator can concentrate entirely on driving.

The bucket pivot height of 2540 mm is excellent and the increased bucket return angle of up to 34° prevents loss of material during travel.

QUICK, EASY AND SAFE MAINTENANCE

The machine is designed to be easy to service with minimal downtime: the rear hatch opens to 90° for comfortable access to both sides of the engine and oil tank. Two powerful jacks eliminate all effort in quickly tilting the cab out of the way for simplified access to the hydraulic pumps, motors, valves and fluid lines. Daily service points, such as remote discharges, filters and the battery, are always easy to access. The fuses are coloured and numbered and easy to access for identification.



ENGINE

The YANMAR 3TNV76 1116 cc engine, with its low engine speed, offers reduced consumption and wear, and a total lack of vibration, thus providing unbeatable performance in even the most challenging conditions. The TNV series complies with current regulations on polluting emissions.



EASY OPERATION

A comfortable and spacious interior, with clearance of up to 73 cm for legs, shoulders and head, makes for high productivity and reduced fatigue. The adjustable seat and easy to operate controls ensure unbeatable comfort over long working days.



UNBEATABLE COMFORT

Major structural features: servo-assisted hydraulic grippers, large platform without pedals and hatch for quick cleaning, low noise due to the extensive soundproofing panels, blower fan to reduce the transmission of vibrations and heat to the operator position, safety armrest.

The cab is clad throughout with soundproofing panels. The cab can be equipped on request with heating and full glass panel closure.



The bigger bucket rollback avoids material waste during transportation



EASY TRANSMISSION CHAIN TENSIONING

The new external access hatch makes it quick and easy to check the chain tension. The screw tensioners and the half-axle mounting, which uses slots rather than round holes, simplifies tension adjustments. Fitting snow chains is made easy by the clearance between the wheels and the chassis.



FLAT FACE QUICK COUPLERS

The AS12 can mount optional accessories for working in all situations, open areas or in narrow spaces: various types of buckets, snowplow blade and sweeper with bucket, pallet fork, hydraulic breaker and others. Attachments are easy to fit and replaced thanks to the universal Multi-Tach system. Attachments are completely visible to the operator, without any obstacles to cab access. The flat face quick couplers are easier to clean than concave couplers, and prevent contaminating the hydraulics.



TOTAL RELIABILITY

In-line transmission, engine compartment fan preventing the radiators blocking, modular fluid lines, protected lights and exhaust pipe-everything assure total reliability. Narrow wheels can be fitted to facilitate passing through gaps as tight as 1 m. The hydraulic parking brake, which engages automatically when the engine is switched off, can also be engaged manually with the engine running. An optional system for bucket self-levelling during lifting is available.



CLOSED
CABIN
OPTIONAL



TECHNICAL DATA

Engine	Yanmar 3TNV76
N° cylinders and total displacement	3 / 1116 cc direct injection
Engine rated power	15.6 kW / 2500 rpm
Operating Weight	1368 kg
Weight on delivery with bucket	1288 kg
Operating load	360 kg
Tipover load	720 kg
Breakout force	7.35 kN
Standard bucket	1130 mm
Bucket capacity	0.18 m ³

features

AS12

GENERAL PERFORMANCE	
Operating weight	1368 kg
Weight when delivered with the bucket	1288 kg
Operating load	360 kg
Tipping load	720 kg
Bucket cylinders breakout force	7.35 kN
ENGINE	
Engine manufacturer	Yanmar
Model	3TNV76
No. of cylinders and engine size	3 / 1116 cc direct injection
Horsepower	15.6 kW / 2500 rpm
Maximum torque	69.4 Nm / 1800 rpm
Battery	12V 480 CCA 62 Ah
Fuel consumption (100% - 70% horsepower)	5.0 L / h - 3.5 L / h
Air Cooling / Supply	water / aspirated
HYDRAULIC SYSTEM	
Maximum auxiliary system capacity	35 L / min
Maximum hydraulic pressure of the circuit	180 bar
Maximum H.F. system capacity	-
Max. H.F. system pressure	-
Maximum travel speed	0-7.0 km / h
BUCKET PERFORMANCE	
Standard bucket	1130 mm
Full bucket capacity	0.18 m ³ / -
CAPACITY	
engine oil	2.9 L
Chain oil (for tank)	3.5 L
Cooling system	3.5 L
Fuel tank capacity	20 L
Hydraulic tank capacity	28 L
OTHER DATA	
Sound power level (outside)	97 dB
ROPS structure	compliant with standard EN 3471
FOPS structure	compliant with standard EN 3449 Lev. I

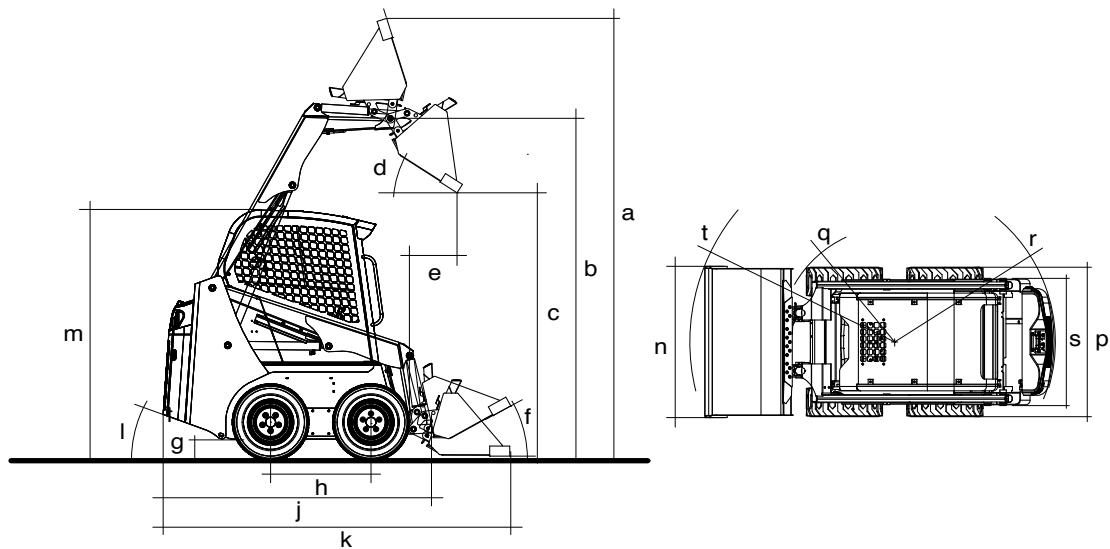


equipment

AS12

FRAME	
Rear security door	std
Set-up of 4 lifting and anchoring points for transport	std
Mechanical locking device of the lifting arm	std
Tyres / Belts	std 23-8.50 x 12 opt 5.70 x 12 opt 23-8.50 x 12
Semi-pneumatic wheels	opt 23-8.50 x 12
ENGINE	
Air filter with double filtrating element and clogging electrical indicator	std
Buzzer and reverse alarm	std
12V battery / fuse box	
HYDRAULIC SYSTEM	
Brakes and transmission locking system	std
Pilot-operated hydrostatic transmission	std
Negative hydraulic parking brake on both traction engines	std
Oil filter with clogging indicator	std
Arm "float" function	std
Aux. hydraulic system Two-way	std
Aux. hydraulic system HF	-
Dual advance speed	-
Self-levelling system of accessories during arm lifting	opt
Arm "ride control" function	-
Road circulation validation kit	opt
CAB SPACE	
Tipping cab compliance with standard CE ROPS-FOPS Level I	std
Front cab-door glass closing kit with wipers and washing system	opt
Heating system kit / air conditioning kit	opt
Internal ceiling light fixture	std
Rear, removable window for safety exit	std
Handles for ascent	std
Auxiliary 12V outlet	std
DRIVER'S SEAT	
Safety bar with arm support	std
Adjustable spring seat	std
Adjustable, self-winding seat belt.	-
Pilot-operated hydraulic joystick controls	std
Accelerator control	manual
Removable cover to clean the floor	std
INSTRUMENTS AND CONTROL	
Indicators: fuel level-engine water temperature	std
Hour counter	std
Key ignition	std
Warning lights: engine cooling liquid temperature - hydraulic oil temperature engine oil pressure - battery charger - glow plugs	std
Air filter clogging control warning light	-
Hydraulic oil filter clogging control warning light	std
Parking brake engagement switch / float engagement	std
Front and rear working light switch	std
Rear windscreen wiper switch	-
ACCESSORIES	
Accessories self-levelling kit (ascent)	opt
Pallet fork	opt
Industrial sweeper	opt
4-in-1 dosing blade	
Adjustable blade	opt
Snowplough blade	-
Bucket volume	-
Crushing bucket	-
Grippers	-
Crushing head	-
Agricultural fork	-
Asphalt milling cutter	-

AS12

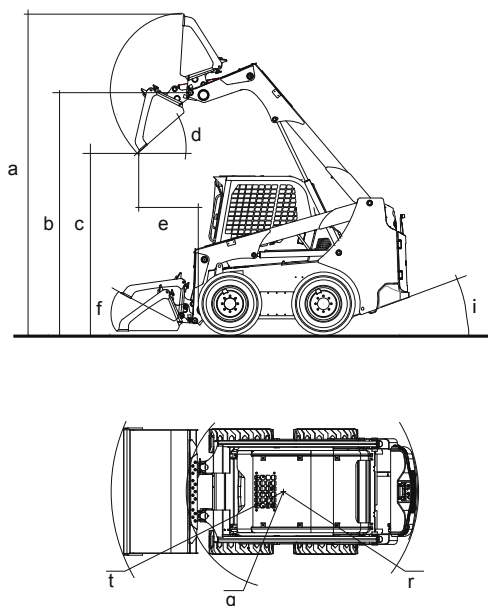


DIMENSIONS (mm)

a	b	c	d	e	f	g	h	j	k	l	m	n	p	q	r	s	t
3300	2540	1997	31°	360	34°	160	755	2007	2596	27°	1877	960-1130	950-1116	800	1190	785-900	1530

working range

the drawing is generic and purely for illustrative purposes



AS12

A	Maximum operating height with the bucket completely lifted	3300 mm
B	Maximum height of the pin with the bucket completely lifted	2540 mm
C	Unloading height	1997 mm
D	Maximum height unloading angle	31°
E	Arm unloading with the bucket at maximum height	360 mm
F	Rollback angle of the bucket on the ground	34°
I	Rear departure angle	27°
Q	Front clearance radius	800 mm
R	Rear clearance radius	1190 mm
T	Front clearance radius with bucket	1530 mm



Download the latest version
of this catalogue.

Official App



KATO IMER S.p.A.
53037 San Gimignano (SI) Loc. Cusona - Italy
Telephone: +39 0577 951 21 - Fax: +39 0577 982 400
info@katoimer.com | www.katoimer.com