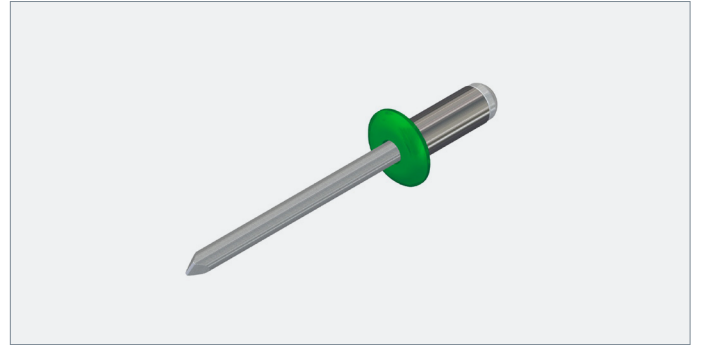
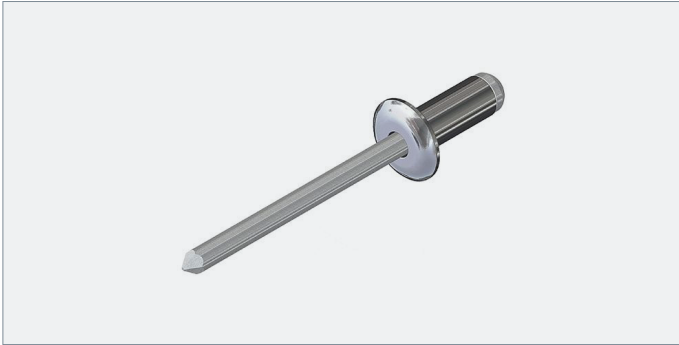


A2 Stainless Steel Rivets



Key Features

Domed head

A2/304 grade stainless steel body and mandrel

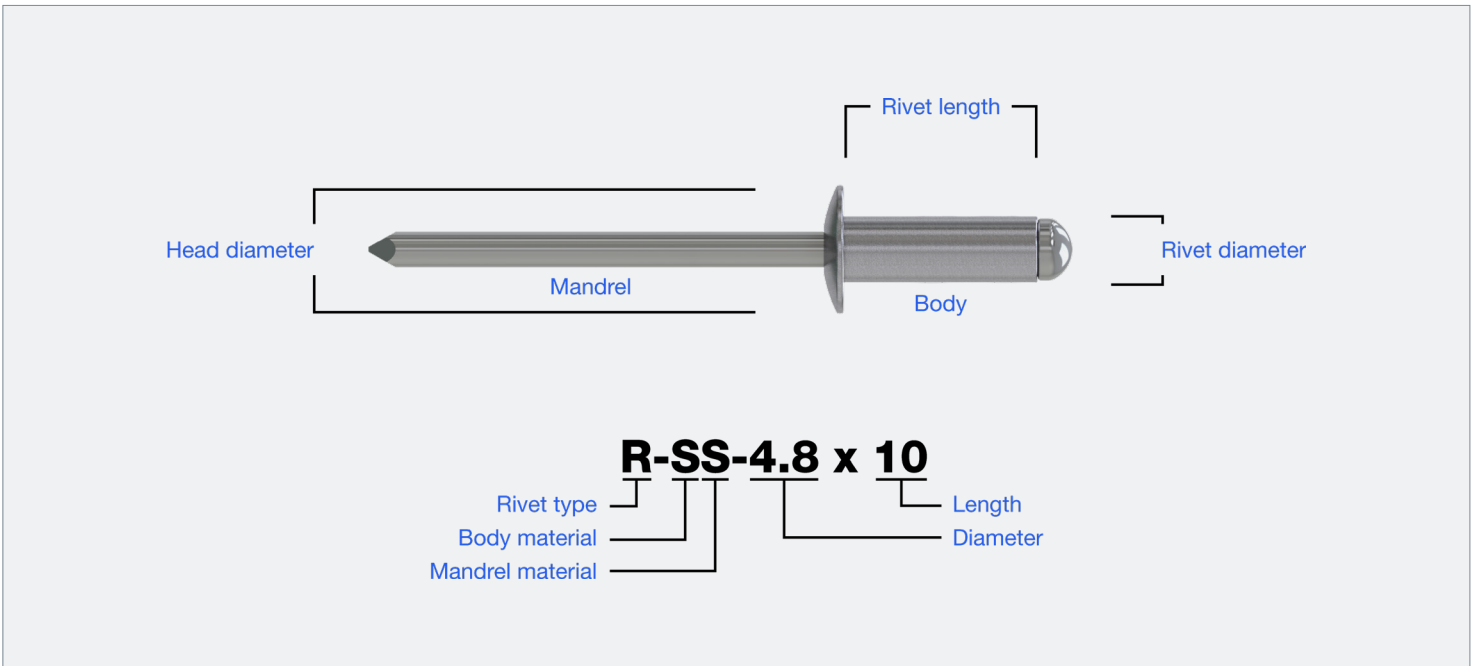
Can be powder coated in a wide range of RAL and BS colours as well as other brands and panel colours

Application

Sheeting & Cladding

Facade and rainscreen

General construction



Date generated: 09/03/2026

© FIXFAST Ltd 2026. All information is non-binding and without guarantee. Before using the products, all specifications and calculations must be checked by a suitably qualified person and local regulations must be observed. All rights reserved. Due to a policy of continuous development, FIXFAST reserves the right to change product specification and descriptions without notice. Subject to Fixfast's Terms & Conditions.

A2 Stainless Steel Rivets

Specification - A2 Stainless Rivets

Code	Body dia. (mm)	Drill size (mm)	Head dia. (mm)	Rivet length (mm)	Mandrel dia. (mm)	Grip range (mm)	Shear (N)	Tensile (N)
R-SS-(LAC)-4.8 x 10	4.8	4.9	9.5	10	3.2	1.5-5.0	5000	4500
R-SS-(LAC)-4.8 x 12				12		3.0-7.0		
R-SS-(LAC)-4.8 x 15				15		6.0-10.0		
R-SS-(LAC)-4.8 x 17				17		9.0-12.5		
R-SS-(LAC)-4.8 x 20				20		13.0-15.0		
R-SS-(LAC)-4.8 x 25				25		17.0-20.0		
R-SS-(LAC)-4.8 x 30				30		20.0-23.0		