

## K1 INDOOR GATEWAY

The K1 Indoor Gateway is the central device for collecting Kairos' sensor data. It is built on LoRaWAN technology, designed to connect low-power, battery-operated sensors over long distances in traditionally signal adverse environments, especially where other communication protocols have difficulty staying connected.

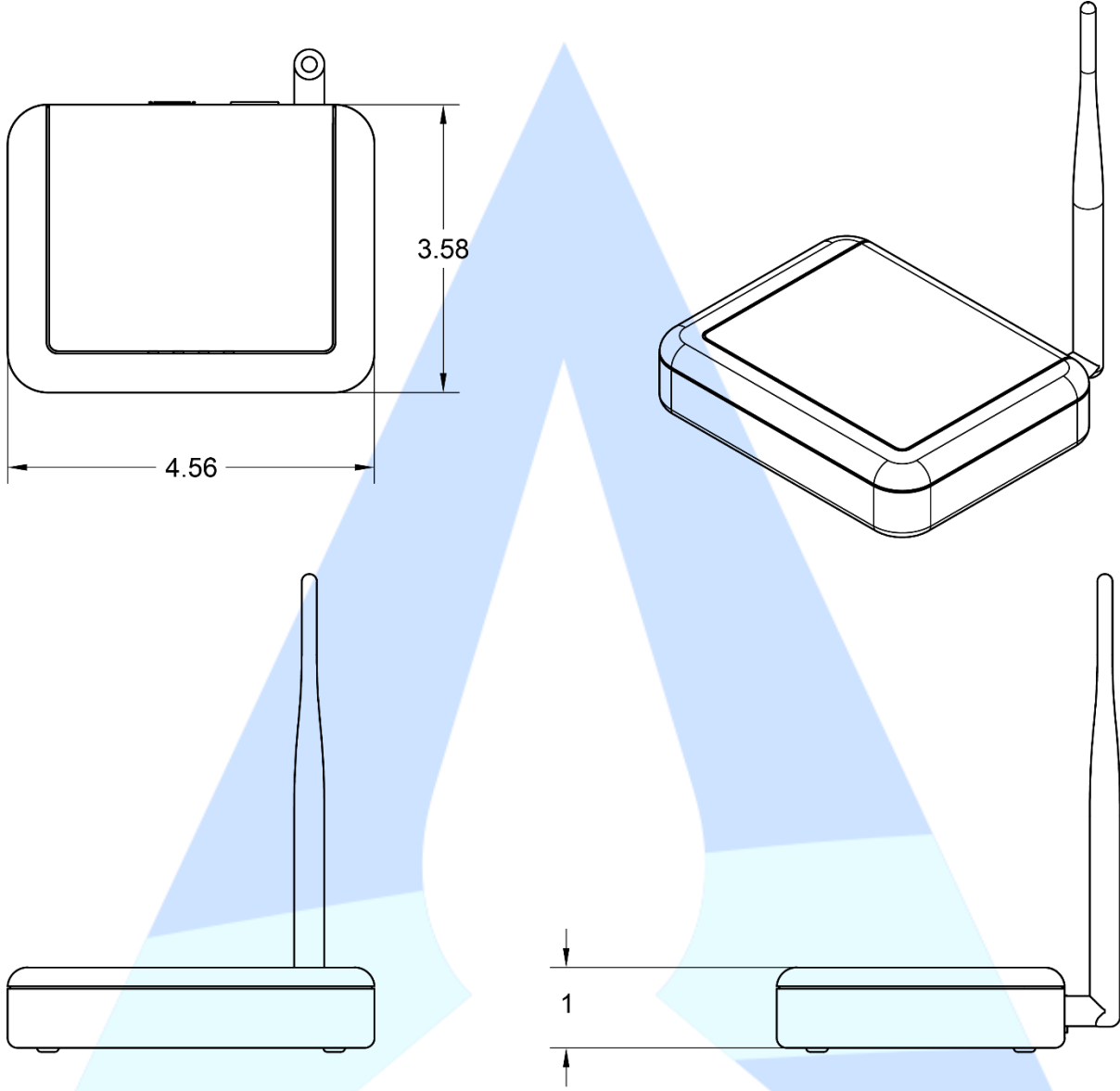


### General Specifications

Model Name	K1-OTAA-01
Frequency	US 902-928 MHz
Channels	Up to 8 concurrent channels
Wireless LAN	2.4G 802.11b/g/n
WAN Protocol & Modulation	LoRaWAN
RF Transceiver	SX1301
Transmit RF Power	0.5W (up to 27 dBm)
Receive Sensitivity	Down to -147 dBm
Antenna Type	Built-in Wi-Fi and LoRa antenna and one (1) external SMA connector for LoRa antenna
Interfaces	1 LAN RJ45 10/100Mbps 1 USB 2.0 4 LED indicators 1 2.4G Wi-Fi (11n) 1 Built-in Wi-Fi Antenna 1 Built-in LoRa antenna 1 Switchable SMA connector
Operating (Storage) Temperatures	32°F to 122°F (14°F to 140°F) / 0°C to 50°C (-10°C to 60°C)
Internet Connection	Ethernet, Wi-Fi
Security	AES 128
Power Supply	5VDC/2A via Micro USB
Weight	160 g
Compatible Products	Kairos™ Noah™ Multifunction Leak Sensors, T1 Temperature and Humidity Sensors, Kairos™ Moses™ Advanced Water Meters (coming soon), other compatible 3rd-party sensors are available
Compliance	FCC/IC Certified, LoRaWAN 1.0.3

# KAIROS

## Dimensions



## Ports

