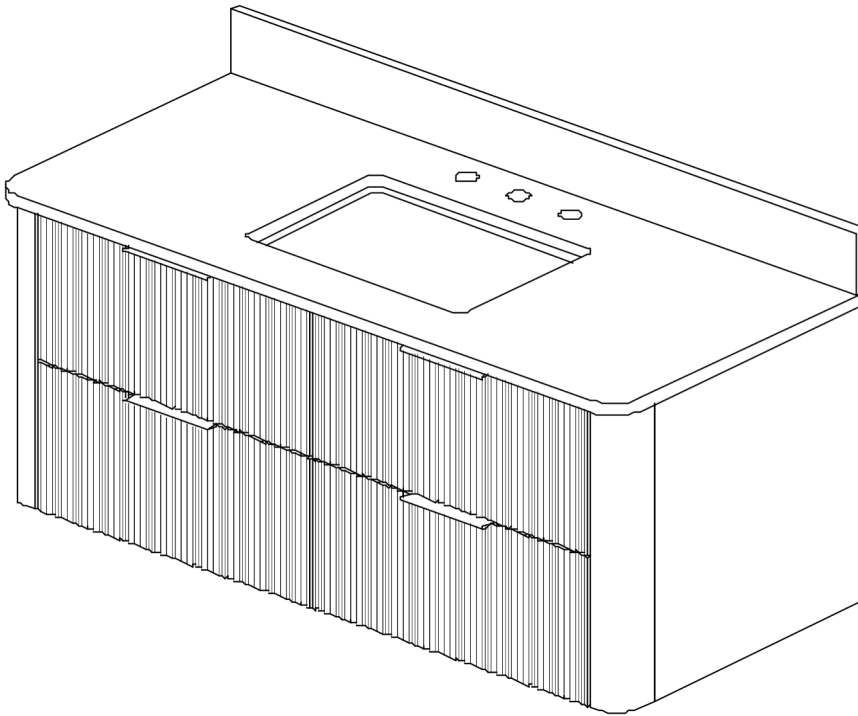




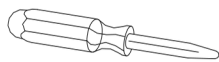
EUREKA 48



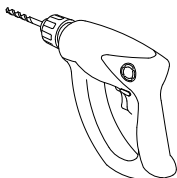
TOOLS YOU WILL NEED



Hammer
(Not included)



Screwdriver
(Not included)



Drill w/ 1/4" drill bit
(Not included)

PRODUCT FEATURES

- Floating vanity design
- Soft closing drawer
- Pre-drilled widespread faucet holes

SHARE YOUR DESIGNS WITH US!

Did a good job with the installation?
We would love to see how well you did!

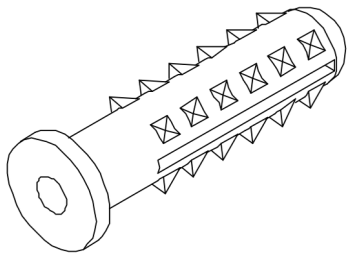
Tag us with your design
@watercreation_inc & #mywatercreation



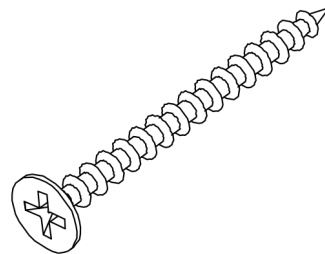


EUREKA 48

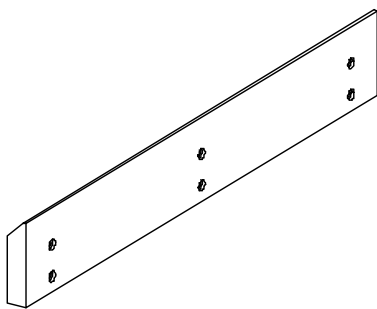
PACKAGE CONTENTS AND HARDWARE INCLUDED



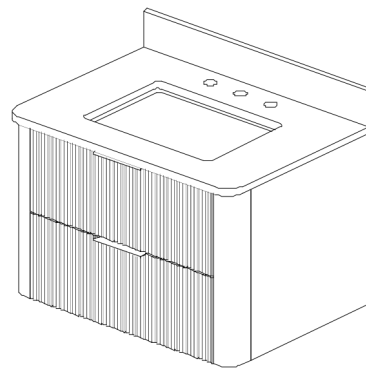
Bolt Anchor x24
(A)



Screws x24
(B)



Wooden Hanger x4
(C)



Floating Vanity x1
(D)



EUREKA 48

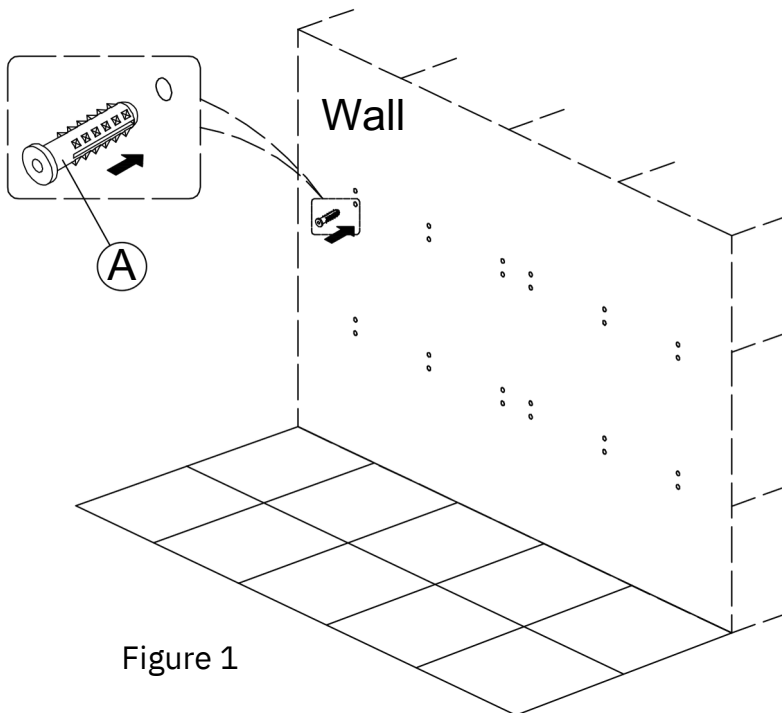
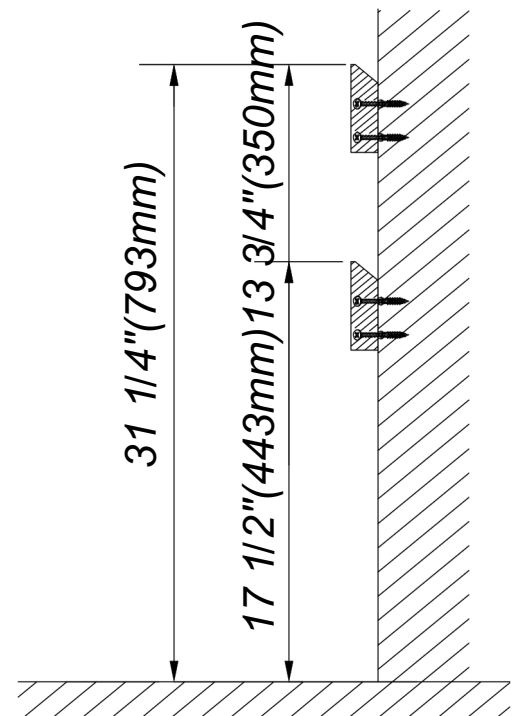


Figure 1



Step 1:

- Hold the Wooden Hanger (C) against the wall and use a writing pencil to mark the screw hole locations.
- Drill twenty four 8 mm-diameter holes at the positions shown in Figure 1.
- Put Bolt Anchor (A) into the holes



EUREKA 48

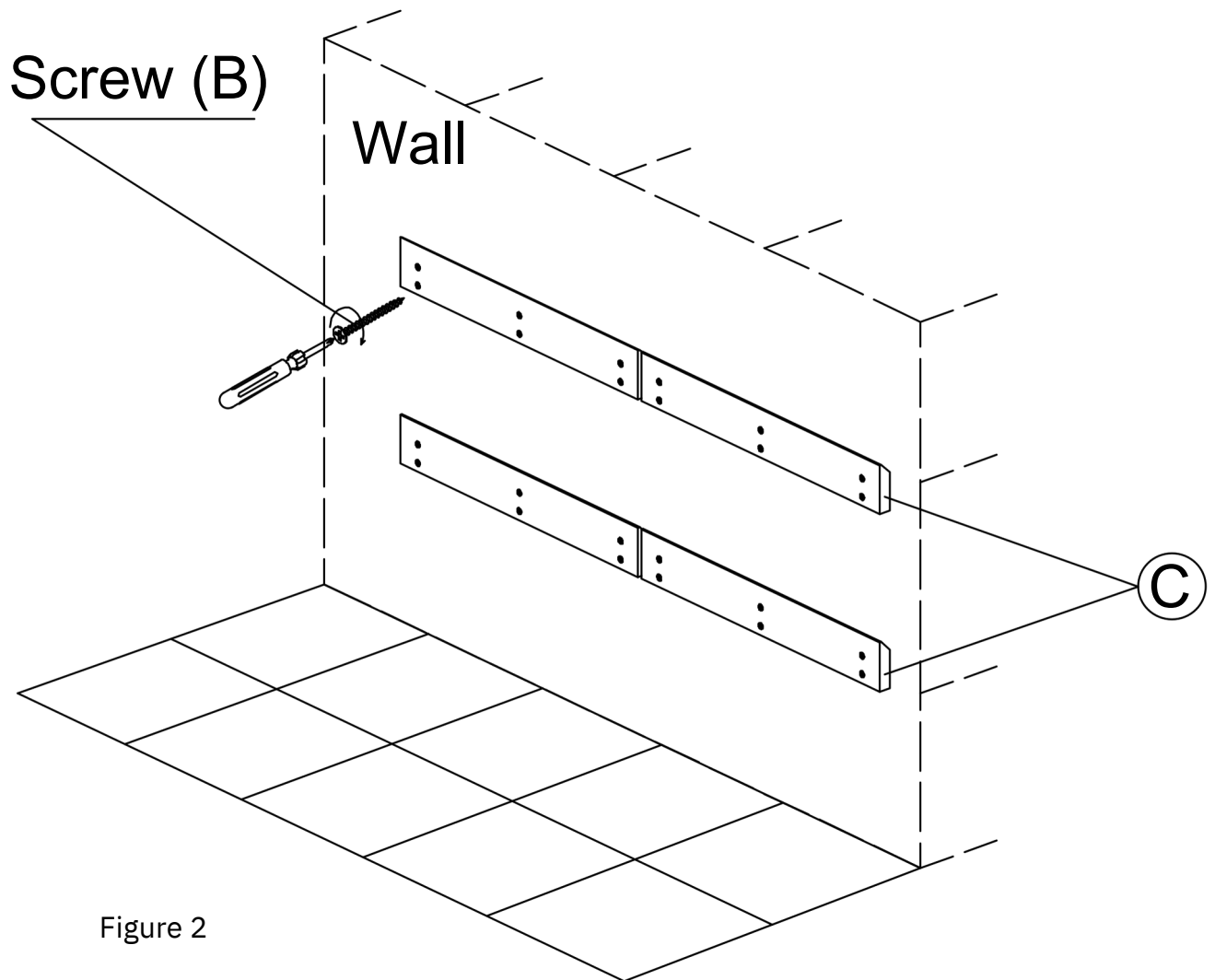


Figure 2

Step 2:

- Use short Screws (B) to attach the Wooden Hanger (C) to the Wall as Figure 2



EUREKA 48

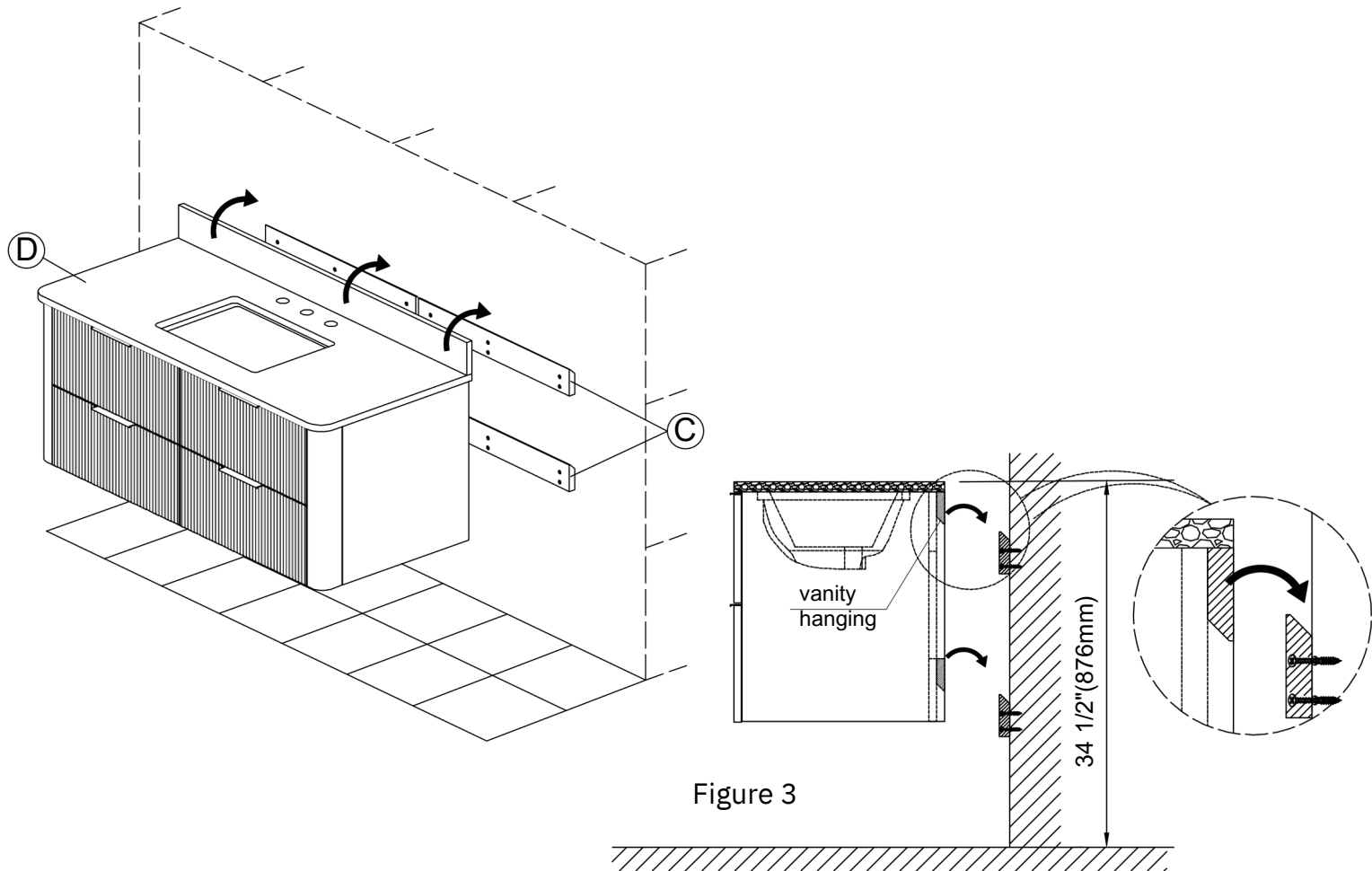


Figure 3

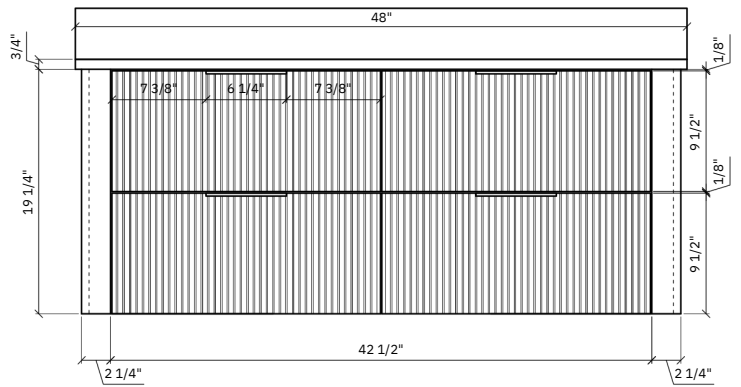
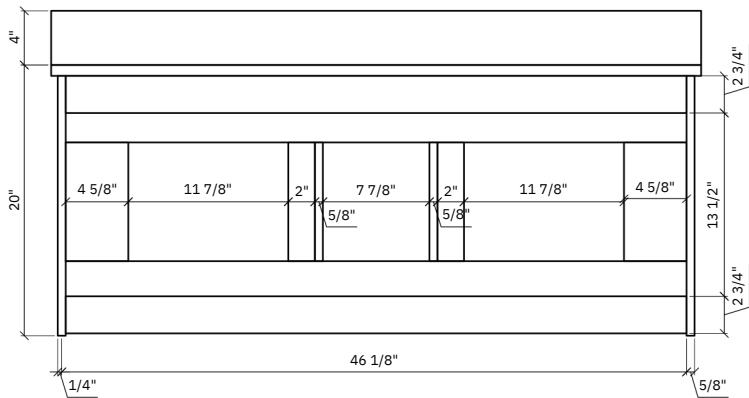
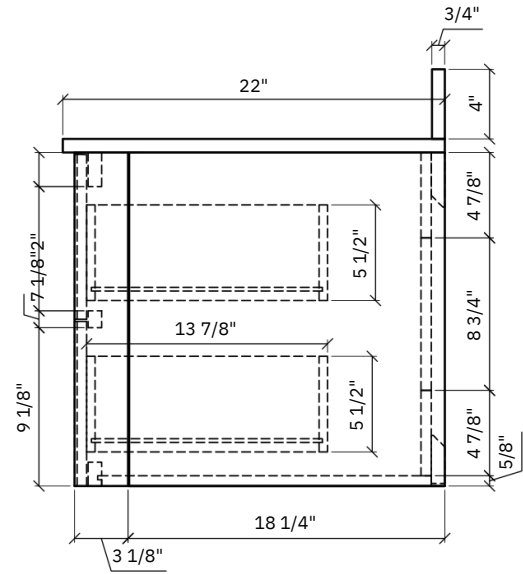
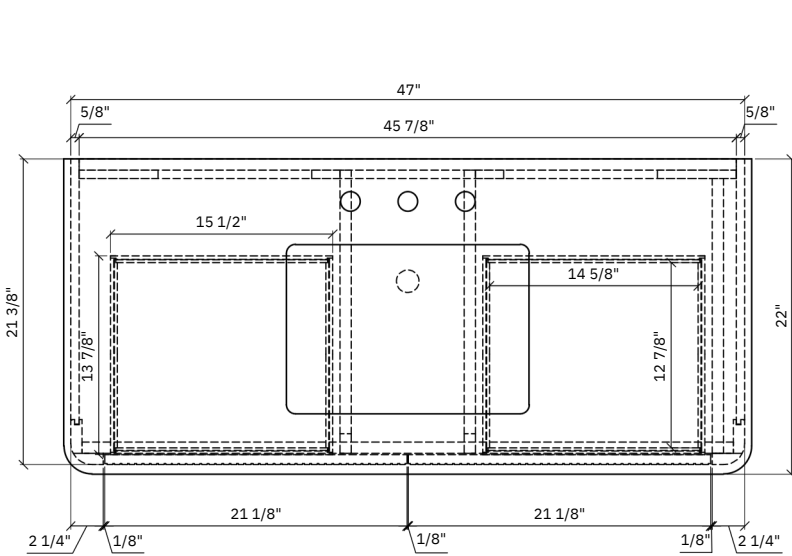
Step 3:

- Hang the vanity (D) on the wooden hanger (C).
- Use Figure 3 as reference for recommended final mounted height.



EUREKA 48

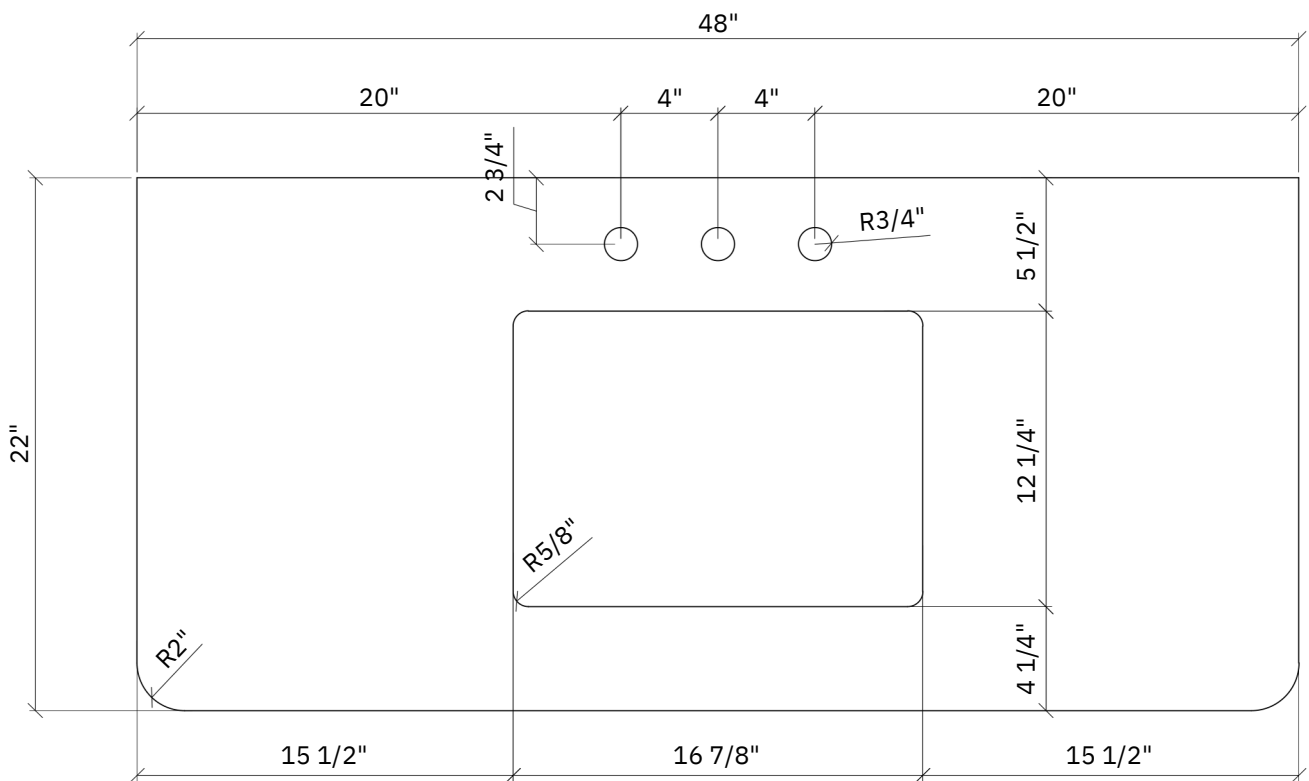
SPEC





EUREKA 48

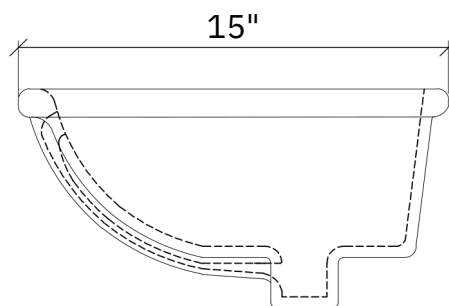
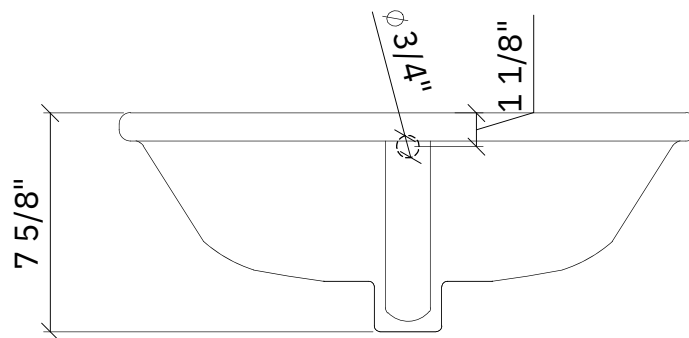
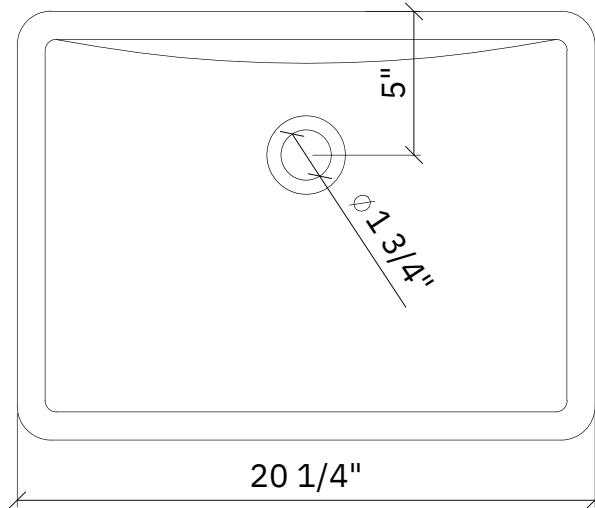
SPEC





EUREKA 48

SPEC





All Water Creation products carry a **One-Year Limited warranty** unless otherwise stated. The warranty is non-transferable.

BATHROOM VANITY / CABINET ONE-YEAR LIMITED WARRANTY

Water Creation products are warranted to be free of defects in material and workmanship for one (1) year from the date of purchase. The warranty commences from the initial date of purchase by the owner or trade professional, from an authorized Water Creation dealer, through the one (1) year term of the original owner or end-user. Water Creation will, at its discretion, repair, replace, or make appropriate arrangements to rectify such defects which occurred from normal usage within the one year. Water Creation is not responsible for any inspection, installation, modification, removal, or labor costs associated.

This warranty does not cover products exposed to improper use / installation / conditions or abuse in any way. "Improper use or conditions" includes, but is not limited to, damage from mishandling or misuse, damage from excessive heat, exposure to UV light, physical or chemical abuse, acid etching, staining or damage from improper care and maintenance or damage from chipping, cracking, impact damage or breaking due to customer abuse, normal wear and tear or acts of nature (such as, but not limited to, stains, scratches or chips). Water Creation is not responsible for any inspection, installation, removal, or labor costs associated.

Water Creation reserves the right to replace defective material with other similar materials in the event that the product protected under this warranty has been discontinued. Water Creation does not replace products resulting from damages occurring after delivery; during installation or storage of the product; improper storage/handling; water temperatures in excess of 150°; use of abrasive or improper cleaners or chemicals.

PRODUCT FINISH ONE-YEAR LIMITED WARRANTY

All product finishes offered by Water Creation carry a One (1) Year Limited Warranty against defects, with the exception of Polished Chrome, which carry a Limited Lifetime Warranty against defect. Physical damages and damages caused by accident, misuse, abuse or improper cleaning products are not covered by the warranty. Water Creation is not responsible for any inspection, installation, removal, or labor costs associated.



Scan for more information