



Series 1

Aluminium Core



ancar

Volta dels Garrofers, 41-42
Pol. Ind. Els Garrofers
08340 Vilassar de Mar
Barcelona, SPAIN

T. (34) 93 754 07 97
ancar@ancar-online.com
www.ancar-online.com

Welcome to Ancar

Industrial tradition since 1958

At ANCAR, our working philosophy is very clear: to design the best dental equipment required by professionals. To do this we ground ourselves in 6 values that characterise each one of our creations such as value, ergonomics, technology, design, flexibility and the human touch.

All of these pillars, together with the effort and desire to be the best means that every day we are meeting new challenges and broadening our product range with the most innovative technological advances.

Our inception dates back to 1958, but the year that marks the turning point for ANCAR is 1988, the year we introduced our first dental unit, the Pyrinee model. Back then we could never have predicted, nor imagined the growth and salience that ANCAR would have acquired on the international stage 30 years on.

Getting to this point hasn't been easy, but guided by values such as determination, patience and humility we have managed to establish ourselves and gain recognition in a demanding and competitive market. Similarly, we have laid the foundations for a brand which is consolidated and valued in 32 countries across Europe, the Middle East, Oceania and the Maghreb.

At present, our range is made up of 40 different models, all of which are manufactured with the best materials whilst paying the utmost attention to every small detail. At ANCAR we are aware of the needs of dental professionals and patients, which is why all of our products are designed to meet all essential requirements.

Thanks to this work methodology we are able to build reliable, durable dental equipment manufactured from quality materials, with a focus on improving ergonomics by using the latest technologies.

Ancar's success over the course of its 60 year history isn't down to just one person; everybody deserves the credit! Only true, honest and professional team work is capable of justifying our experience and ensuring our future.



Antoni Carles Bosch
CEO



*“This is our history,
this is our philosophy,
this is our
commitment”.*

Antoni Carles Bosch
General Manager

www.ancar-online.com

Series 1

*Reliable, Solid
and Simple*

THE MOST COMPLETE RANGE

The Ancar Series 1 is the intelligent option for dental professionals looking to access all the excellent and intelligent features of a high-quality dental unit with an accessible investment.

It adapts to all dental consultancies or clinics, is well-designed, well-constructed and ready for adaptation offering numerous accessories according to your needs and preferences. Series 1 promises dentists comfort, performance and reliability; and to their patients that important sense of well being.



TREATMENT
UNITS



SD-150



SD-175



SD-25

ORTHODONTIC
UNITS



SD-60

AMBIDEXTROUS
TREATMENT
UNITS



A-3200

CONSULTATION
CHAIRS



A-3000

SD-150

*Elegant
functionality*

Treatment unit

Whip arm system



Side view. Safety on assistant support, backrest and chair base.



Assistant support with two standard suction hoses. 3F syringe, polymerization lamp and intra-oral camera as an option

Progressive pedal. Electric micromotor control through potentiometer

Removable, autoclavable, porcelain cuspidor bowl

Removable cup filler for easier cleaning

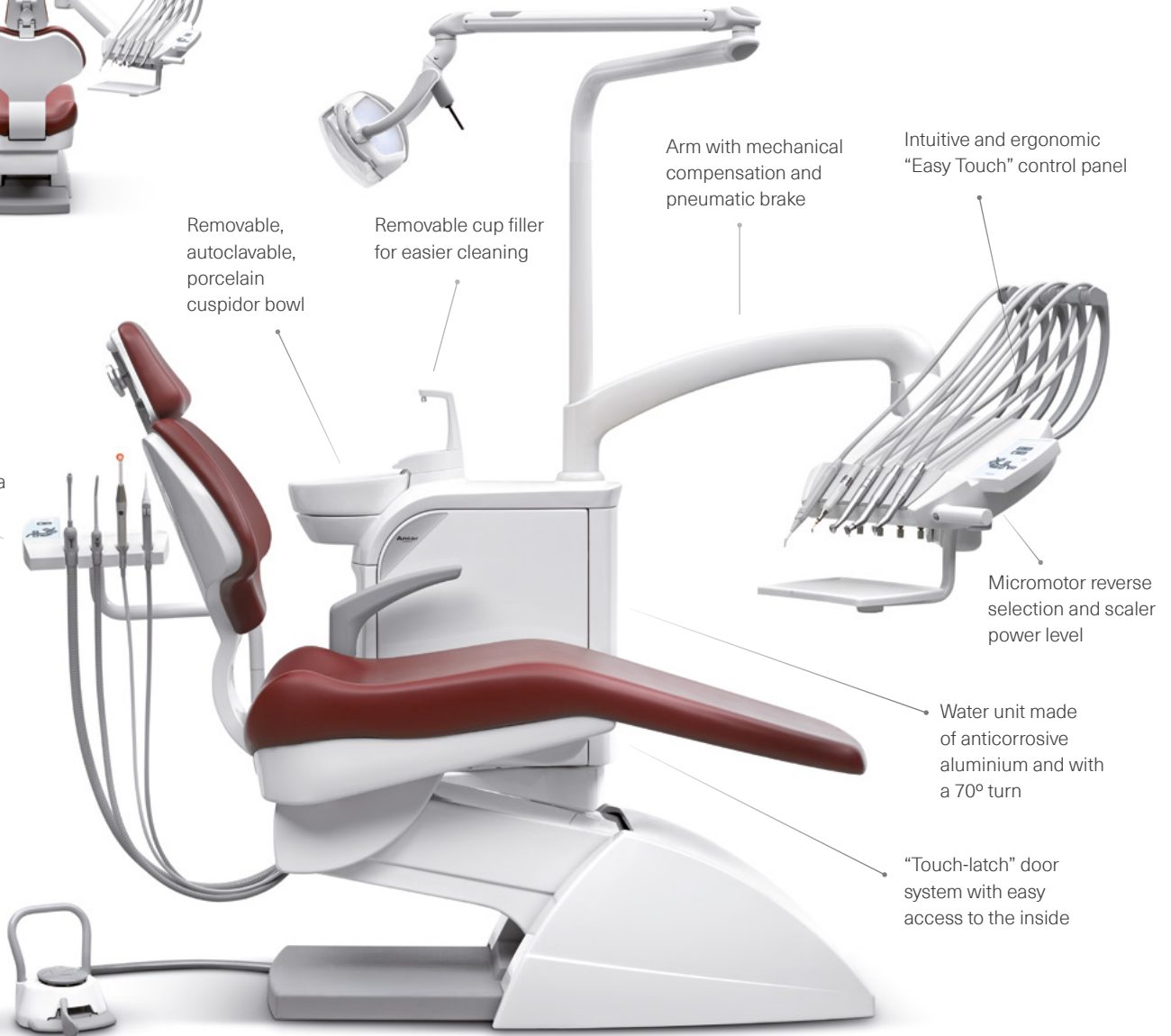
Arm with mechanical compensation and pneumatic brake

Intuitive and ergonomic "Easy Touch" control panel

Micromotor reverse selection and scaler power level

Water unit made of anticorrosive aluminium and with a 70° turn

"Touch-latch" door system with easy access to the inside

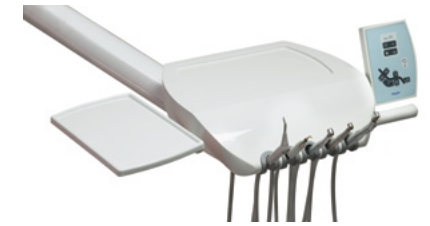


SD-175

*A "Premium" product
of exceptional quality*

Treatment unit

Hanging hoses system



Hanging hose version with two trays for small hand instruments including pneumatic brake for better stability.

SD-25

Intelligent decision

Treatment unit with cart

The SD-25 combines the strength and quality of work, which all the Series 1 units offer; it also provides a great versatility while finding useful workspaces where other units cannot access.

The cart's great mobility (in distance and height) is designed to offer maximum ergonomic adaptability to professionals and thus guarantee a high performance in all interventions.



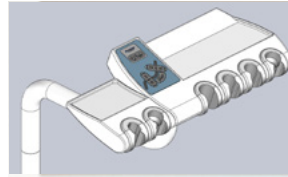
SD-60

Stylish orthodontics

Orthodontic treatment unit

The SD-60 unit is the simplest but most ingenious way to outfit your office, especially designed for orthodontics practices.

An affordable investment provides an orthodontics unit with the best specifications, quality materials, safety, precision, functionality, ergonomics and hygiene.



Optional 6-position
auxiliary support for
additional elements.

A-3200

*Designed for right
and left-hand users*

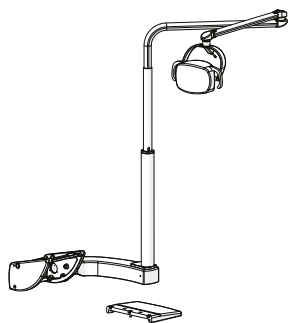
*Ambidextrous treatment
unit without cuspidor*



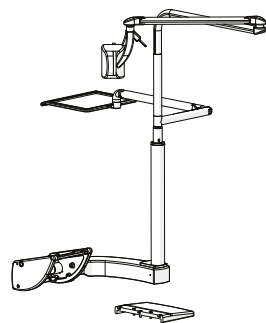
Ambidextrous instrument tray.
Particularly designed for right
and left-hand users.

Pedal handle with safety
retractable
spring

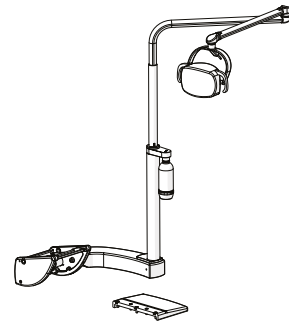
ACCESORIES



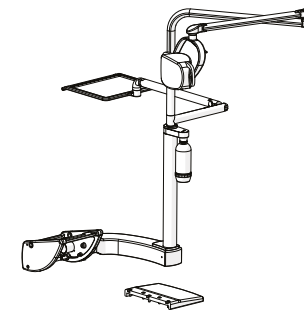
Lamp column kit



Lamp column kit + instrument tray



Lamp column kit + "self water
system" with / without selector valve



Lamp column kit + instrument tray + "self water
system" with / without selector valve



Kit columna
Column kit + instrument tray

A-3000

*Comfortable for you,
comfortable for your patients*

Consultation chair

The features of the A-3000 and A-3100 are not exclusive to professionals. With your patients in mind, our aim is to offer them the utmost comfort throughout the treatment.

All units in the Series 1 are more comfortable, thanks to their two types of upholstery: "Standard" and "SOFT EASE". Its headrest can be adjusted to any height, even for children, allowing for optimum and comfortable working positions. Additionally, all of the positions of both chairs can be adjusted with the pedal. Optionally, an armrest may be added to the right-hand side. They are equipped with safety devices at the base and backrest to avoid unforeseen movements and to guarantee maximum reliability in all treatments.





Series 1
Aluminium Core



WE CARE ABOUT YOU

www.ancar-online.com

Series 1

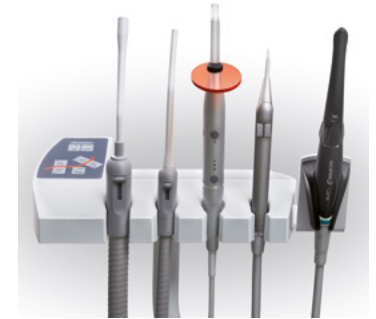
*Details that make
the difference*



Intuitive and ergonomic
"Easy Touch" control panel.



Pedal with chair movement
control and instrument control
using lever, with water and
"chipblower". Electric micromotor
control through potentiometer.



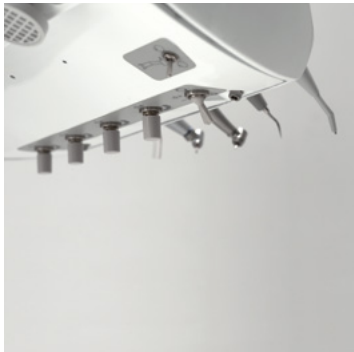
Assistant support with two
standard suction hoses. Possibility
of installing an optional 3F syringe,
intraoral camera and polymerizing
lamp.



Compensated whip-hoses to work
with less effort.



Extractable and autoclavable
instrument support.



Individual water control valve and micromotor (M40) speed selector up to 4,000 RPM (Selective) and up to 40,000 RPM (Global).



ALUMINIUM CORE
Made in light, anticorrosive aluminium alloy.



State-of-the-art, highly robust technical and mechanical solutions.



Optional suction hose selective system.



Main instrument tray and standard auxiliary tray (285x190mm).



Rotary instrument oil recuperator.



Extractable and autoclavable porcelain spittoon bowl.



Removable cup filler for easier cleaning.



Water unit made of anticorrosive aluminium and with 70° turn.



"Touch-latch" door system with easy access to the inside.

Series 1

*Personalize the unit
to suit you*

New “self water system”

Independent water supply system for instruments on the equipment.

The equipment's water circuit is designed in order to prevent water returns due to a loss of pressure. Thus it prevents the mixture of different water uses, eliminating any cross contamination to the public water supply and vice versa.

This system ensures compliance with EN1717 Standard.



Disinfection systems and amalgam recovery

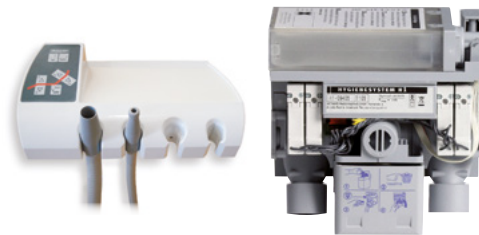
Disinfection of instrument hoses



WEK

- Water decontamination systems for instrument hoses.
- Combined, automatic water circuit decontaminating cycles in rotating instruments.
- Non-toxic, continuous and effective decontaminating effect.
- Automatic supervision of sterilised dosing.
- Maintenance-free operation.

Disinfection of suction hoses



H1

- H1 system of continuous cleaning and complete disinfection of the suction system.
- Without need for additional manual disinfection.
- H1 includes the automatic selection suction hose system.

Amalgam recovery



TYPE-1

CAS-1

- Built-in amalgam recovery and air and water separation systems with selection valve: dry or wet suction.

Led Lamps

The new generation of high-specification lamps with LED technology offer a whole range of benefits:

LED lights generate a natural quality light which guarantees sharper vision in comparison with halogen light since they offer a greater visual field, fewer shadows during the treatment process and a whiter cold light.

LED light sources are longer lasting than the halogen bulbs; with minimum heat generated and lower consumption.



TECHNICAL FEATURES

	EVA	MAIA	G.COMM POLARIS
Light source	2 LED's	2 LED's	10 LED's
Colour temperature (oK)	from 2,700 K to 5,700 K	5,000 K	from 4,200 K to 5,800 K
Light intensity (lux)	from 11,000 to 50,000 lux	from 3,000 to 35,000 lux	from 8,000 to 35,000 lux
Colour rendering index (CRI)	> 95	85	> 85
Illuminated area (mm)	190 x 100	170 x 85	140 x 70
Power supply	24 VAC 50/60 Hz	17-24 VAC 50/60 Hz	12-24 VAC 50/60 Hz
Consumption	24 V CA 26 VA / 32 V CC 14 VA	9 VA	29 VA
Guarantee	24 months	12 months	24 months
Certificate according to directive	93/42 CE class I	93/42 CE class I	93/42 CE class I

Imaging systems

22" LCD monitor, 24 Vdc, high resolution (1280x1024). Long-lasting screen, versatile and high output display with a wide range of integrated video options, designed specifically for dentistry environments. Anti-glare optical crystal, metal housing.



"Faro" arm for LCD monitor with double rotating axis and vertical inclination.



Endodontic micromotor

Brush-free induction micro motor with ENDO functions. It programs the type of contra-angle, the minimum and maximum speed, par, torque, direction of rotation and micromotor light intensity.

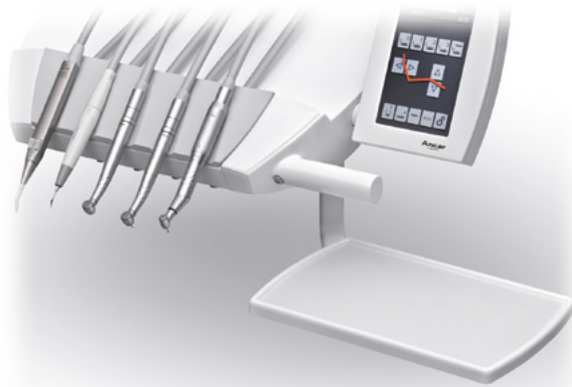
High performance at high and low speed (from 100 to 400 rpm), which allows for a wide range of interventions:

- High speed for restoration operations.
- Low speed (100-4000rpm) for endodontics.
- Automatic reverse rotation when the selected par is reached.
- Automatic return to counter clockwise (adjustable time delay).
- Sterilisable.
- Lighter, powerful and quieter.
- Virtually no maintenance required.
- Long useful life.
- Non-vibrating.



Personalize the unit to suit you

Auxiliary trays



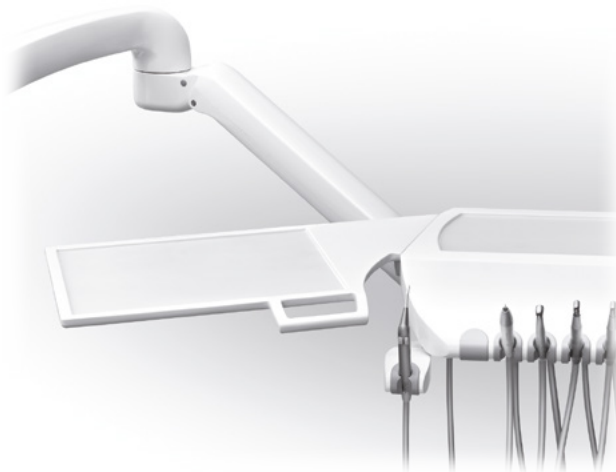
Standard auxiliary tray (285 x 190 mm).



Large auxiliary tray (350 x 230 mm).



Double auxiliary tray (410 x 310 mm).



Auxiliary tray (400 x 300 mm). For the hanging hose version. Additional syringe support is included.



Tray holder with removable silicone protection.

Stools



Td 600

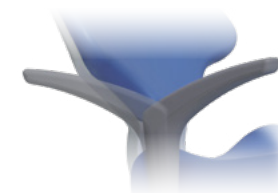


Td 700



Td 800

Optional right-side armrest



180° Rotation

Headrest and backrest

Standard headrest

Included in the standard equipment, possible to make an upgrade to the headrest with 3D movement



Multifunctional articulated headrest

Headrest with 3D movement

Ergonomic headrest with spherical movement and pneumatic brake or manual brake (optional)



170 mm vertical movement

Personalize the unit to suit you



Cuspidor cover colours



128
Dental White



400
Yellow



405
Purple



425
Silver Grey



435
Pearl Black



807
Soft Pastel Green



475
Gamet



806
Soft Light Blue

Standard range upholstery colours



400
Yellow



405
Purple



410
Pastel Blue



425
Silver Grey



435
Pearl Black



440
Pastel Green



445
Pearl Green



455
Pearl Blue



470
Dark Blue



475
Gamet



480
Gold

*“SOFT EASE”
upholstery colours*



BLACK



DARK BLUE



SPARKLING BLUE



TURQUOISE



AUBERGINE



CARMIN RED



CORN YELLOW



BAMBOO GREEN

Personalize the unit to suit you



Series 1

Technical Features

Functions

- Electrically-operated chair with Trendelenburg position and 5 position memories (three for working, reset and return to spittoon).
- Pedal with chair movement control and instrument control using lever, with water and “chipblower” selector.
- Speed selector for the micromotor (M40) from 0 to 4,000 rpm. (Selective) and from 0 to 40,000 rpm (Global).
- Control of individual water flows for each instrument.
- Reversal selection of micromotor and ultrasounds power level.
- Automatic ON/OFF lamp in rest and return to spittoon position.
- 3F Syringe installed as standard.
- Optional quick connection Kit: USB 2.0 port built + air/water intake + 230 V output.
- Electric micromotor control by potentiometer.

Ergonomics

- Minimum chair height of 400 mm., making treatment of upper areas easier.
- Multi-position articulated headrest.
- Chair movements available on control pedal and keypad (principal and assistant).
- Intuitive and ergonomic “Easy-Touch” control panel, with micromotor reverse indication.
- Arm and instrument tray with mechanical compensation and pneumatic brake.
- Additional tray for small hand-held instruments.
- Water box with 70° rotation to make assistant’s work easier.
- Ergonomic headrest at the same level as the optional backrest.
- Optional narrow backrest.

Materials

- ALU MINIUM COR E: unit, chair and pedal manufactured in light anti-corrosive aluminium alloys.
- Water unit covers in ABS and connections unit cover made from highly resistant and non-deformable special Baydur® polyurethane.
- Large-capacity porcelain spittoon bowl.
- “Standard” and “SOFT EASE” upholstery, high quality and hygienic, fireproof, steam and air permeable, highly elastic and pleasant feel.

Safety Features

- On auxiliary cannula support, backrest and chair base.
- On movement keypads.
- On optional instruments (turbine, micromotor and ultrasound) through adjuster pedal.

Hygiene

- Autoclavable silicone instrument support.
- Extractable and thermo-disinfectable suction hoses.
- Easy-to-clean suction filter.
- Rotary instrument oil recuperator.
- Fewer joints and corners, making it easy to clean.
- “WEK” water decontamination system for instrument hoses.
- “H1” disinfection system for suction hoses.
- Removable and autoclavable mouthwash cup at 135°.

Series 1

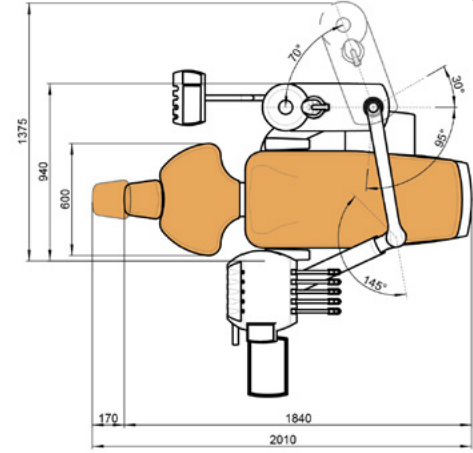
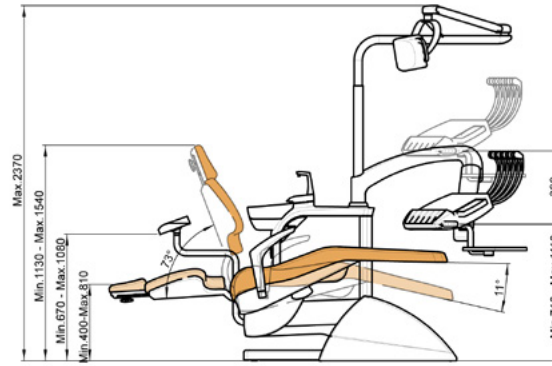
Technical Data and Dimensions

Technical Data

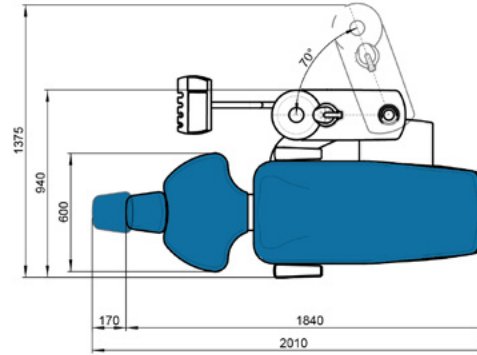
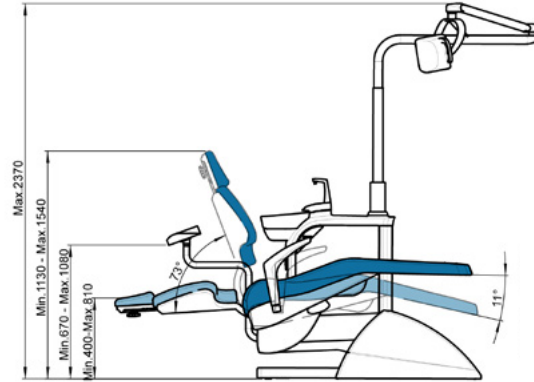
Voltage	220 - 240 V~
Frequenzy	50 Hz
Air pressure	5,5 Bar
Water pressure	3 Bar
Maximum Power consumed	900 W
Electrical protection type	I
Operation type	Intermittent
Maximum load (patient)	160 kg
Maximum load (instrument tray)	2 kg
Electric Micromotor instrument	24 V c.c. / 65 W
MX Micro motor instrument	24 V c.c. / 60 W (130 W peak)
Instrument light Bulbs	3 V – 7 V / 2,5 W
Ultrasounds	24 V c.a. / 35 W
Polymer lamp	24 V c.a. / 150 W
3F Syringe	
Unit Classification 93/42/EEC	Standard Class IIa
Insulation class	Type B
Unit net/gross weight	240 kg / 290 kg
Dental unit classc	Electro-pneumatic
Installation type	Permanent
Main fuse	6.3 A / 250 V
Movement panel fuse	T 32 mA / 250 V
Transformer primary fuse, 9015093 PCB	TT 2,5 A / 250 V
24V AC protection line (yellow/yellow)	Polyswitch RUE600
17V AC protection line (red/red)	Polyswitch RUE600 + RUE185
Auxiliary outputs 24 V c.a.	4 x water unit 1 x connection box
Suction connection	500 W / 230 V. Relais 20 A / 250 V
Potential free contact AUX connections box	Max 250 V / 5 A

Dimensions

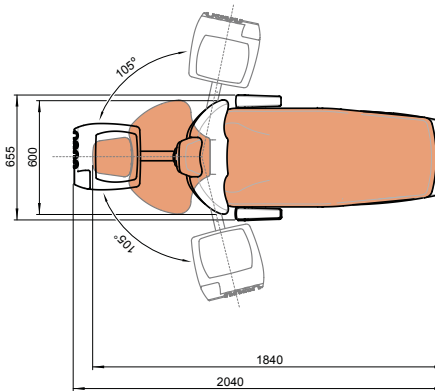
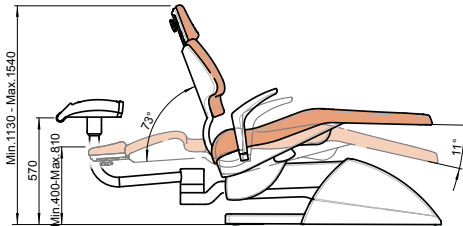
SD-150 / SD-175



SD-60



A-3200





ancar

WE CARE ABOUT YOU

www.ancar-online.com



QS4 LEA 199
Subject to design and/or
specifications changes
without prior notice.
Made in Europe.
June 2023.



Management
System
EN ISO
13485:2016

www.tuv.com
ID 900006088



ancar

Volta dels Garrofers, 41-42
Pol. Ind. Els Garrofers
08340 Vilassar de Mar
Barcelona, SPAIN

T. (34) 93 754 07 97
ancar@ancar-online.com
www.ancar-online.com