



# Coffee Maker Operation Instructions



## Contents

IMPORTANT SAFEGUARDS	1-3
PACKAGE CONTENTS	3
KNOW YOUR COFFEE MAKER	4
TECHNICAL DETAILS	5
BEFORE USING COFFEE MAKER	5
USING THE APPLIANCE	6-10
HINTS AND TIPS	10
CLEANING AND MAINTENANCE	10-11
REMOVAL OF MINERAL DEPOSITS	12-13
STORAGE	13
TROUBLE SHOOTING	13-15

## IMPORTANT SAFEGUARDS

When using electrical appliances, basic safety precautions should always be followed, including the following:

1. Read all instructions before use.
2. Do not touch hot surfaces. Use handles or knobs.
3. **WARNING** – to protect against electric shock, fire and personal injury:
  - Do not immerse cord, plug in water or other liquids;
  - Do not immerse the appliance or any electrical components in water or any other liquids;
  - always switch off and unplug the appliance before cleaning.
4. Close supervision is necessary when any appliance is used by or near children.
5. Unplug from wall outlet when the appliance is not in use, before putting on or taking off parts, and before cleaning. Allow to cool before handling, putting on or taking off parts, and before cleaning the appliance.
6. Do not operate any appliance with a damaged cord or plug, or after the appliance malfunctions or has been damaged in any manner. Call our toll-free customer assistance number for information on examination, repair, or adjustment.
7. The use of accessory attachments not recommended by the appliance manufacturer may result in fire, electric shock or injuries to persons.
8. Do not use outdoors or in a damp area.
9. Do not place the appliance close to the edge of the countertop.
10. Do not let power cord hang over edge of table or counter, or touch hot surfaces.
11. Do not place on or near a hot gas or electric burner or in a heated oven.
12. Do not use appliance for other than intended use.
13. Do not clean with metal scouring pads. Pieces can break off the pad and touch electrical parts involving a risk of electric shock.
14. Never leave the appliance unattended during operation.
15. To switch off and disconnect, press either the **K-CUP** or **GROUND** button, until the indicator light turns off, then remove plug from wall outlet.

16. A fire may occur if the appliance is covered or touching flammable material, including curtains, draperies, walls, and the like, when in operation. Do not store any item on top of the appliance when in use.
17. Extreme caution must be used when moving an appliance containing liquids.
18. Do not open the Release Lever, the lid or remove the Ground Coffee Holder/ Capsule Holder during or immediately after use. Always exercise caution when opening the lid or removing the Ground Coffee Holder/ Capsule Holder after use. Hot steam might be trapped beneath. Scalding may occur if the lid is opened during the brewing cycle.
19. Do not use the appliance with an empty or under filled water reservoir. Ensure the water level is always between the **Min** (6oz) and **MAX** (30oz) markings. Do not fill the water reservoir over the **MAX** (30oz) marking.
20. Keep the area above the appliance clear during use, as hot steam will escape the appliance.
21. Do not use the appliance without a suitable cup/mug placed under the Nozzle.
22. Do not use the appliance without the Ground Coffee Holder/ Capsule Holder.
23. Do not use hot water, milk or other liquids for brewing.
24. Always use fresh and cold water for brewing.
25. Use extreme caution when removing the Ground Coffee Holder/ Capsule Holder and disposing of used coffee ground/ capsules.
26. **CAUTION!** Possibility of injury! The underside of the lid and Capsule Holder contain sharp needles. Use caution when handling and during cleaning. Do not touch the needles.
27. **CAUTION!** Do not open the Release Lever and the lid during brewing.
28. This appliance is for **HOUSEHOLD USE ONLY.**

## 29. WARNING:

**- DO NOT OPERATE APPLIANCE, IF THE POWER CORD SHOWS ANY DAMAGE OR IF APPLIANCE WORKS INTERMITTENTLY OR STOPS WORKING ENTIRELY.**

### Notes for extension cord

30. A short power-supply cord is provided to reduce the risk resulting from it being grabbed by children, becoming entangled in, or tripping over a longer cord.
31. Extension cords are available and may be used if care is exercised in their use.
32. If an extension cord is used:
  - The marked electrical rating of the extension cord should be at least as great as the electrical rating of the appliance.
  - The longer cord should be arranged so that it does not drape over the countertop or table top where it can be pulled on by children or tripped over.

### Polarized plug

33. This appliance has a polarized plug (one blade is wider than the other). To reduce the risk of electric shock, this plug is intended to fit into a polarized outlet only one way. If the plug does not fit fully into the outlet, reverse the plug. If it still does not fit, contact a qualified electrician. Do not attempt to modify the plug in any way.

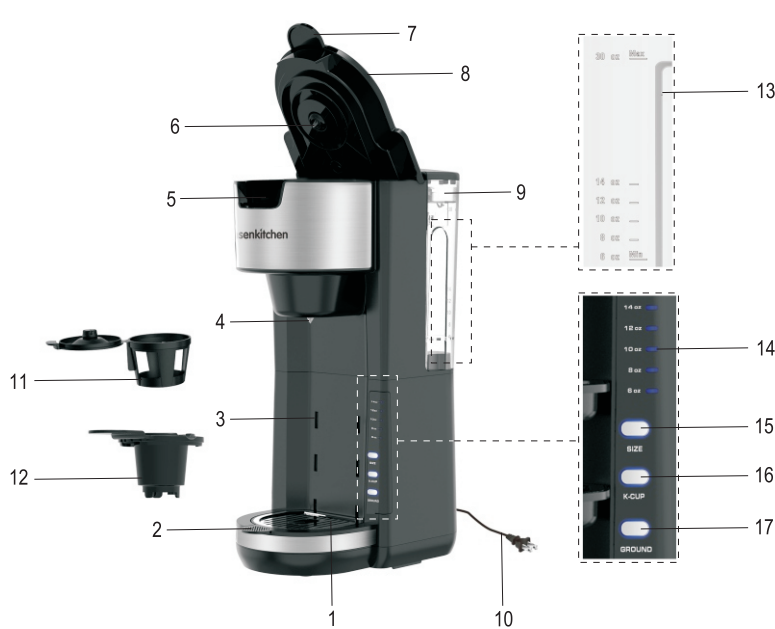
34. Do not let children handle or put the electrical cord into their mouths.

## 35. SAVE THESE INSTRUCTION!

## PACKAGE CONTENTS

- 1 Coffee maker
  - 1 Ground coffee holder
  - 1 Capsule holder
  - 1 Operating Instructions
- Check the delivery contents for completeness immediately after unpacking. Remove all packaging materials and plastic film from the appliance.

## KNOW YOUR COFFEE MAKER



- |                             |  |
|-----------------------------|--|
| 1. Cup Holder               | 10. Power Cord with Plug                 |
| 2. Drip Tray                | 11. Ground Coffee Holder                 |
| 3. Mounting Slots           | 12. Capsule Holder                       |
| 4. Nozzle                   | 13. Water Level Indicator                |
| 5. Insert Holder            | 14. Cup size indicator lights            |
| 6. Needle and Seal          | 15. Cup size button with indicator light |
| 7. Release Lever            | 16. K-CUP button with indicator light    |
| 8. Lid                      | 17. GROUND button with indicator light   |
| 9. Water Reservoir with Lid |  |

## TECHNICAL DETAILS

120V~ 60Hz 1000W

## BEFORE USING COFFEE MAKER

1. Remove all packaging materials and/or other transportation means.
2. Check package content to verify it is complete and undamaged. Do not operate the appliance if the content is incomplete or appears damaged.

## Danger of suffocation!

- Packaging materials are not toys. Always keep plastic bags, foils and foam parts away from babies and children. Packaging material could block airways and prevent breathing.

## NOTE:

- Always use the appliance with a suitable cup/mug and fully assembled.
- The appliance may produce an odor and/or emit smoke when switched on for the first time, as residues from the production process are eliminated. This is normal and does not indicate a defect or hazard.
- When using the appliance for the first time, it is recommended to operate it for at least 1 full cycle without coffee or a capsule (Operation).
- Let the appliance cool completely.
- Clean the appliance (Cleaning and Maintenance).

## USING THE APPLIANCE

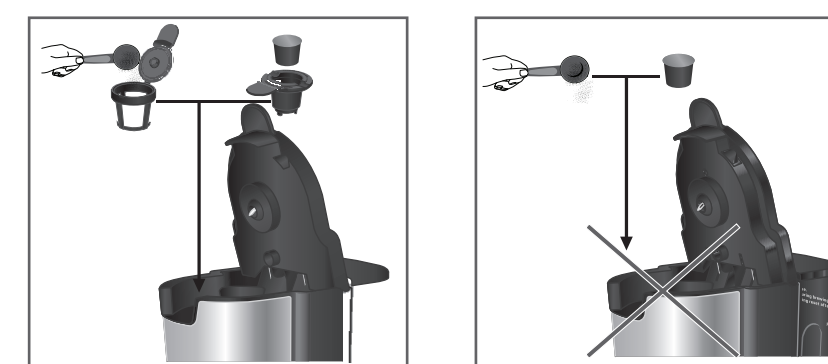
This appliance can be used for brewing up to 14oz of coffee using ground coffee or K-cup capsules, according to the insert used. Use only water and do not use any other liquids.

## NOTE:

**- The appliance has a rated power of 1000W. Before plugging it into the wall outlet, ensure that the electrical circuit is not overloaded with other appliances. This appliance should always be operated on a separate 120V~ 60Hz wall outlet.**

**- Make sure the appliance is assembled before connecting it to a wall outlet.**

1. Place the appliance on a clean, flat and heat resistant surface.
2. Lift the Release Lever to unlock the lid.
3. When using the Capsule Holder insert a capsule in the Capsule Holder. Insert the Capsule Holder in the Insert Holder.



## WARNING:

**- Do not touch the Needle on the underside of the Lid or inside the Capsule Holder, they are sharp.**

- Only use suitable ground coffee or K-cup capsules. Do not place ground coffee/capsule directly into the Insert Holder . Do not place other than the recommended ground coffee/capsule into the Ground Coffee Holder / Capsule Holder.
- Some capsules may not work with this appliance. If the capsule does not properly fit into the Capsule Holder, or leaks during the brewing cycle, do not use that type of capsule again.

4. Press the Lid down into the lock position to close the Lid.
5. Place the Drip Tray with Cup Holder in either the upper, middle or lower Mounting Slots . Ensure it is securely in place when using the middle or upper Mounting Slots and sits flat when using the lower Mounting Slots.
6. When using the Ground Coffee Holder , ensure it contains the required amount of ground coffee. Fill with ground coffee up to the MAX fill line. Do not overfill it. Do not compress the ground coffee in the Ground Coffee Holder. Do not use ground coffee for Espressos, as it is too fine and can clog the Ground Coffee Holder. Insert the Ground Coffee Holder in the Insert Holder.

## NOTE:

- Use the lower Mounting Slots when using large mugs and the upper or middle Mounting Slots when using small cups.
- When removing the Water Reservoir with Lid close the Lid. Inside of the Lid or inside the Capsule Holder, they are sharp.
- 7. Lift the Water Reservoir With Lid and remove it from the appliance. Remove the lid from the Water Reservoir With Lid.
- 8. Fill the Water Reservoir With Lid with fresh cold water and then refill the Water Reservoir With Lid afterward.

## WARNING:

**- Do not over or under fill the Water Reservoir With Lid. Ensure the water level is always between the Min (6oz) and MAX (30oz)**

markings on the Water Level Indicator. Remove the water reservoir and drain excess water if needed.

9. Securely place a cup/mug in the center of the Cup Holder.
10. Insert the Power Cord With Plug into a wall outlet. All indicator lights will flash 3 times, followed by the appliance switching to stand-by mode with all indicator lights off.

## Brewing

1. Either press the GROUND Button or K-CUP Button according to the coffee to be brewed. The 6oz Cup Size Indicator Lights will be illuminated, the indicator light around SIZE button will flashing.
2. Press the Cup SIZE Button until the indicator light for the desired volume is illuminated. The brew volume will increase by 2oz with each press.
3. Press either the GROUND Button or K-CUP Button again or without press any button for 5 sec to start the brewing process. The brew type and volume indicator lights will be illuminated.

## NOTE:

- Alternatively, first press the Cup SIZE Button until the indicator light for the desired volume is illuminated and then press either the GROUND Button or K-CUP Button according to the type of coffee to be brewed.
- If no action is done within 30 seconds after the volume selection, all indicator lights will switch off and the appliance will switch to stand-by mode. Restart previous steps (Brewing).
- You can stop the brewing process at any time by either pressing the K-CUP Button with Indicator Light or GROUND Button with Indicator Light according to the type of coffee being brewed.
- During the brewing process, pressing the Cup SIZE Button will have no effect, as the set volume cannot be modified after brewing has started.

- If the Water Reservoir With Lid is empty from the start or empties during the brewing process, the appliance will stop heating and all indicator lights switch off after a few seconds.

## WARNING:

- During use, the appliance produces hot steam. Keep clear of the area above the appliance at all times.
- Do not open the Lid during use or touch the appliance housing.
- Never use the appliance with the Lid open or without the Ground Coffee Holder /Capsule Holder in the Insert Holder . All Indicator lights will flashing when the Lid open or do not close properly. Close the Lid, place the Release Lever in the lock position and/or place the Ground Coffee Holder/Capsule Holder in the Insert Holder and repeat previous steps to resume brewing.
- Do not remove the cup/mug until all indicator lights have switched off.

4. Once the brewing cycle has finished, all indicator lights switch off automatically. Disconnect the Power Cord With Plug from the wall outlet.
5. Remove the cup/mug from the Cup Holder.
6. Allow the appliance to cool down before removing the Ground Coffee Holder/ Capsule Holder from the Insert Holder. Always remove any used coffee grounds/capsules after use. Remove with caution as recently used coffee grounds or capsules can be hot.

## WARNING:

- The Ground Coffee Holder/Capsule Holder is hot after using the appliance. Allow to cool before removing.
- Hot steam might be trapped under the Lid.

- The underside of the Lid and Capsule Holder contain sharp needles. Use caution when handling and during cleaning. Do not touch the needles.

## NOTE:

**- Do not immerse the Power Cord With Plug or appliance into water or any other liquids. Do not use abrasive cleaners, steel wool or scouring pads. Dry all parts thoroughly after cleaning, before using or storing the appliance. Ensure that no water enters the appliance housing.**

1. Remove the Drip Tray with Cup Holder, Ground Coffee Holder and Capsule Holder from the appliance. These parts can be washed in hot soapy water.
2. Wipe the seal on the needle on the underside of the Lid with a damp cloth. Do not remove the seal.
3. Clean all accessories after each use.
4. Clean the appliance housing, Lid and Insert Holder with a damp sponge or cloth.

## NOTE:

- Always clean all parts that have come into contact with food in soapy water immediately after use and before storage.
- Dry all parts and surfaces thoroughly before use. Make sure that all parts and surfaces are completely dry before connecting the appliance to a wall outlet.

## REMOVAL OF MINERAL DEPOSITS

To keep your appliance operating effectively, periodically descale your appliance to remove any build-up of lime scale. We recommend removing lime scale deposits as follows:

1. Remove the Water Reservoir With Lid from the appliance and remove the reservoir lid.
2. Please use a household descaler. Fill the Water Reservoir with fresh water and descaler up to the 14oz marking on the Water Level Indicator. The ratio of water and descaler is 4:1. For details refer to the instructions of descaler.
3. Place the lid back onto the Water Reservoir With Lid and put the water reservoir back on the appliance.
4. Ensure the Ground Coffee Holder is placed in the Insert Holder without coffee and the Release Lever is placed in the lock position.
5. Place the Drip Tray with Cup Holder in the lower Mounting Slots. Ensure it sits flat.
6. Place a large mug onto the Cup Holder. Insert the Power Cord With Plug into a wall outlet.
7. Press both the K-CUP and GROUND buttons at the same time until their indicator lights switch on and flash. The appliance will start pumping water.

## NOTE:

- The appliance will run for 5 cycles of 24 seconds each, alternating water pumping and resting time during each cycle.
- Do not press buttons nor try to interrupt the process during the descaling cycle.
- 8. Once the descaling cycle has finished, the appliance and the indicator lights automatically switch off.
- 9. Rinse the appliance by brewing 14oz of fresh water at least 3 times afterwards without coffee placed in the Ground Coffee Holder . Discard of the water afterwards.
- 10. Disconnect the Power Cord With Plug from the wall outlet.

## NOTE:

**- Alternatively, you can use white vinegar instead of household descaler. The ratio of water and white vinegar is 2:1.**

## STORAGE

1. Before storage, always make sure the appliance is completely cool, clean and dry.
2. It is recommended to store the appliance in a dry place.
3. Never wrap the Power Cord With Plug around the appliance.
4. Store the appliance on a stable shelf or in a cupboard. To avoid accidents, ensure that both the appliance and its power cord are beyond reach of children or pets.

## TROUBLE SHOOTING

PROBLEM	CAUSE	SOLUTION
The appliance is not working	Appliance not plugged in	Insert the plug into the wall outlet
	Wall outlet not energized	Check fuses and circuit breaker
The appliance is not working	Appliance not switched on	Switch the appliance on by pressing K-CUP button or GROUND button
	Malfunctioning appliance	Unplug the appliance from the wall outlet and contact qualified personnel to check and repair the appliance

No water comes out from the Nozzle	Nozzle blocked	Check the Nozzle for blockages
	Excessive lime scale buildup	Clean and descale the appliance
	Ground coffee too fine	Clean the Ground Coffee Filter and refill with coarse ground coffee
	Capsule not suitable	Replace with a suitable capsule
	Empty water reservoir	Refill the water reservoir with fresh water
Brewing process does not start	Water reservoir is empty	Refill the water reservoir with fresh water
	No action for 30 seconds after volume selection	Repeat settings selection
Brewing process stops before completion	Lid opened during brewing process	Close the lid, wait for the indicator lights to switch off and restart settings selection
	Not enough water according to the pre-selected volume	Wait for the indicator lights to switch off, refill the water reservoir with fresh water to the water reservoir and restart operation

Coffee flavor is too weak	Not enough ground coffee	Add more ground coffee. Do not fill over the MAX fill line on the round coffee holder
	Capsule used more than once	Discard of the old capsule and use a new one
	Ground coffee used more than once	Clean the ground coffee holder and refill with fresh ground coffee
Appliance is leaking during brewing cycle	Too much water used	Reduce the amount of water used on the next brew
	Damaged Ground Coffee Holder/Capsule Holder	Replace with suitable Ground Coffee Holder/Capsule Holder
	Too much ground coffee inside the Ground Coffee Holder	Remove some ground coffee from Ground Coffee Holder. Ensure its lid is properly closed
	Ground coffee too fine	Clean the Ground Coffee Holder and refill with coarse ground coffee
Appliance is leaking during brewing cycle	Capsule not suitable	Replace with a suitable capsule
	Upper/bottom of the capsule not pierced by the needle	Switch the appliance off and carefully replace the capsule