

F430



MAGNETISE YOUR MIND

SEALINE F430





MAKE YOUR LIFE ONE LONG WEEKEND

SEALINE F430

LARGE BATHING PLATFORM

Celebrate life on the water in full comfort. The bathing platform features hydraulics for easy lowering, and the steps automatically extend.

SUN LOUNGE AT THE BOW

There are plenty of adjustable cushions to create the relaxing space you like. Two extra seats and atmospheric pop-up lights make this spot even more enticing.

FLYBRIDGE OF GRAND COMFORT

The flybridge offers plenty of space for your entire family and guests. Here you have a range of enjoyable options – from sunbathing to barbecuing under open skies.

UNLIMITED PANORAMIC VIEW

Take in the spanning view of the water and coast. The floor-to-ceiling windows are the largest of their class and combine a bright atmosphere with stunning sights.

3 DOUBLE CABINS ACROSS 43 FEET

Exclusive in the entire boating world: the F430 is the first yacht of this class to offer three comprehensively equipped and luxuriously fitted double cabins on request.



TAKE YOUR FASCINATION TO NEW HEIGHTS

The F430 is a Sealine through and through – crowned with a captivating flybridge. Reigning over the characteristic, unmistakably large panorama windows is a viewing platform that satisfies your every desire. High-speed performance ensures that the everyday hectic quickly disappears behind the horizon. The new Sealine F430 – an experience that every yacht enthusiast is magnetically drawn to.



SEALINE F430

The flybridge on the Sealine F430 was designed with just one goal in mind: to make you want to spend every moment on it. You sail into the rising sun while enjoying the open-air helm. You take in the setting sun during an al fresco dinner. The time in between is spent on the large sun lounge or partaking of freshly grilled delights directly from the kitchen ensemble in the rear of the flybridge.



enjoy the
LIGHT

feel the
SPACE

combine functionality with
DESIGN

The entire Sealine range is born of the same values: each yacht features wide interior spaces, an amazing quantity of natural light and outstanding design with German engineering inside. As for these trademarks, the F430 displays the true spirit of Sealine.





SINGULAR DESIGN. MULTIPLE THRILLS.

You have everything your heart desires on the flybridge. But because the allure of a true Sealine lies in its variety of options, the F430 also offers alternative spaces of leisure for you and your family. The cockpit below the flybridge casts shade and can be equipped with an additional outdoor barbecue. The bow awaits you with a generous sun lounge. It is always your choice what area suits your mood and your occasion.



EXTERIOR DESIGN



Spacious sun lounges on the bow feature an adjustable back and invite you to relax under the blue skies anytime of the day. The exceptional architecture of Sealine yachts ensures that you can daydream with full peace of mind. The bulwark, featuring an unparalleled height, guarantees deep relaxation in any situation – even at times of sportier driving.





The Sealine engineers have designed the bathing platform to be more than just another extra. It is the final step to enjoying perfect independence. A private beach which you can take with you. Out to the open sea. Into a secluded bay. For this reason, the bathing platform on the Sealine F430 has everything your heart could desire. Teak flooring. Hydraulic operation. And a retractable ladder that automatically adapts to the lowered platform.



When it's time to move into the shade, you can comfortably take a seat in the covered cockpit. With the lighting and sound system integrated into the ceiling, you can design the ambience to suit your every desire. To experience the highest feeling of life on deck, you now only need to do one thing: open up the inside to the outside, creating one relaxation area for enjoying life across one level.



Enjoy the seclusion and privacy that the ocean provides during the day – and then gather together with guests in the evening. Thanks to the layout of the seating, the mood lighting, the inspiring design, your Sealine F430 becomes an irresistible location for coming together. Whether you are meeting up with friends again or finding new ones in the harbour – everyone will feel privileged to come aboard your yacht. For a sundowner. For dinner. For a party.



A FIRST IN CLASS: 3 DOUBLE CABINS ACROSS 43 FEET

With the Sealine F430, voyages are so luxurious that you will want to share them with others. As the F430 is the world's first 43-foot yacht which can be outfitted with three double cabins on request, up to six people can enjoy a unique experience.



INTERIOR DESIGN



Each element in the saloon exudes harmonious elegance. Everywhere you look, you see premium materials crafted to perfection. Each detail is part of the aesthetic bigger picture. Even the helm station is a designer piece of furniture – with instruments which seamlessly blend into the ambience. The double helm chair is adjustable in height to enable most comfortable driving. When turned 90 degrees, it becomes a natural part of the living space.



Is cooking a chore or a pleasure? The difference is in the atmosphere. Which is why the galley of the Sealine F430 appears as a designer kitchen in an urban loft – with a 360° view of the water! Stylish strips of lighting and high-gloss working surfaces create an aesthetic space in which you can conjure up several courses with more and more joy every time.

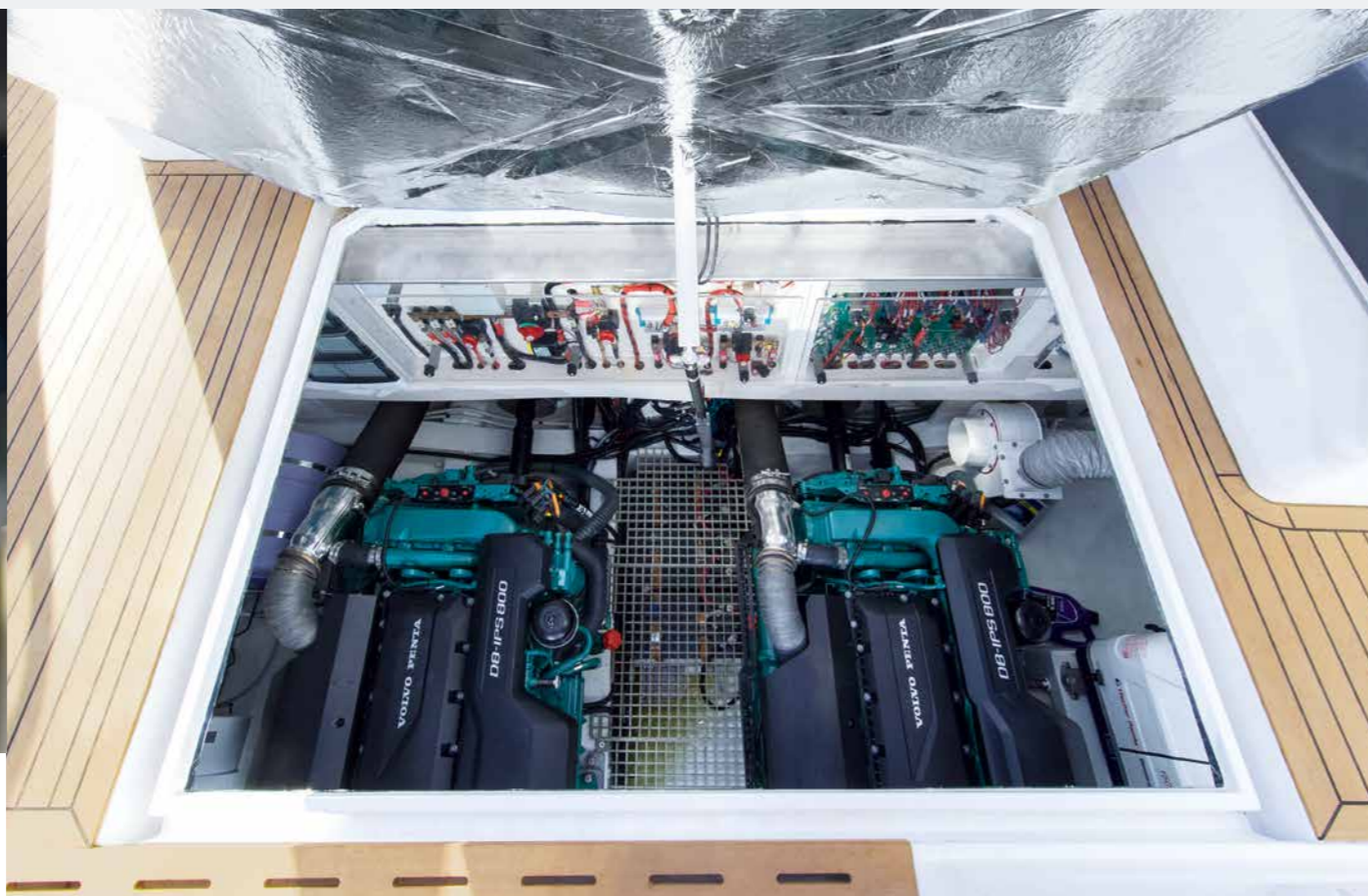




You want to enjoy life 24 hours a day. Even in your sleep. Which is only possible in cabins that cater for all your senses. With colours that inspire relaxation. With materials that provide pure pleasure. If you appreciate the aesthetics of high-class designer hotels, you will feel right at home on your Sealine F430. As an option, the lower deck comes with three double cabins, individually designed to feature the owner's personal mark. Equipped with full-sized beds and views of the ocean. The 43-foot class has been redefined.



The bathroom is the space where you start your day. It should be a room that puts you in a positive mood. Where you can recharge and rejuvenate. Like the composition of purist fittings, fine woods, exotic natural stone and gentle lighting does on board the Sealine F430. As the yacht owner, your morning begins even better thanks to your own ensuite bathroom.



When you think of motor yachts, does a thrilling driving experience also come to mind? Then opt for the Sealine F430 – with its Volvo Penta IPS engines. Even the standard engines with 600 hp accelerate the yacht up to 23 knots. If you ever wanted to experience just how agile 43 feet can be, we boost the performance of your Sealine to 870 hp with two Volvo Penta IPS600 engines and a max. speed of 32 knots.



SEALINE F430



OUTRUN THE ORDINARY

Outstanding boating characteristics are part of the Sealine experience. From the shape of the hull to the engines, we have pulled out all the stops to ensure the Sealine F430 gives you special moments on the water.

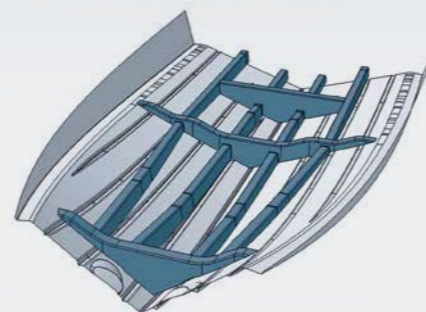
IPS DRIVE AS STANDARD

Choose your twin Volvo Penta IPS engines: IPS400, IPS500 or IPS600. The highest-performing engines produce 870 horsepower and achieve a speed of 32 knots.



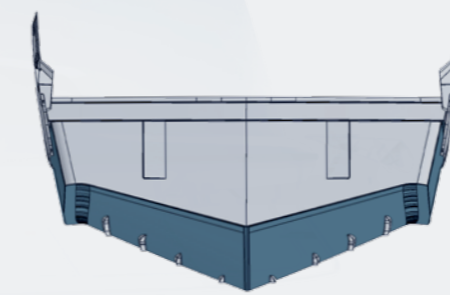
LAMINATED POWER GRID

The hull reinforcements of the Sealine F430 are elaborately laminated – giving you the advantages of a high-strength yacht with a reduced weight.



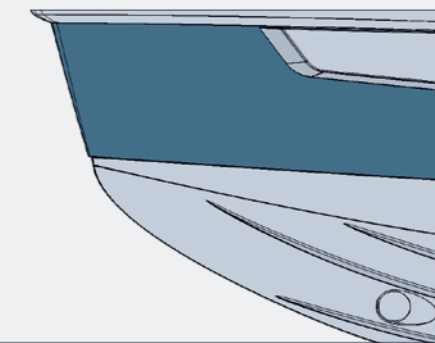
DEEP V-SHAPED KEEL

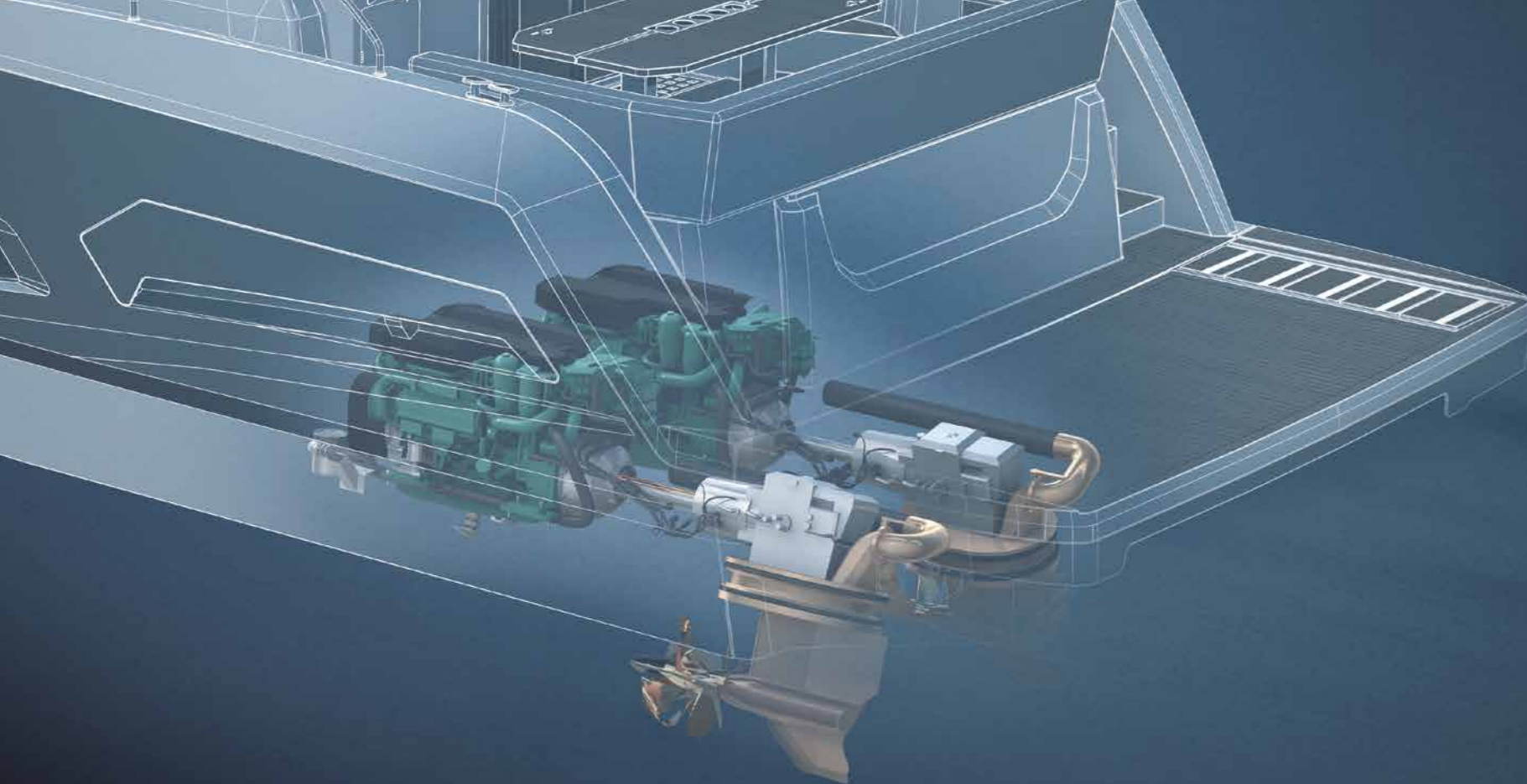
The Sealine F430 hull cuts sharp through the waves. This means the Sealine is exceptionally stable in the water, and you can feel the higher boating comfort as a result.



UPRIGHT STEM

The vertical stem, with its bottom corner, pierces through the waves elegantly. This, in turn, results in more comfort and higher boating pleasure.





PRINCIPAL DIMENSIONS (according to ISO 8666)

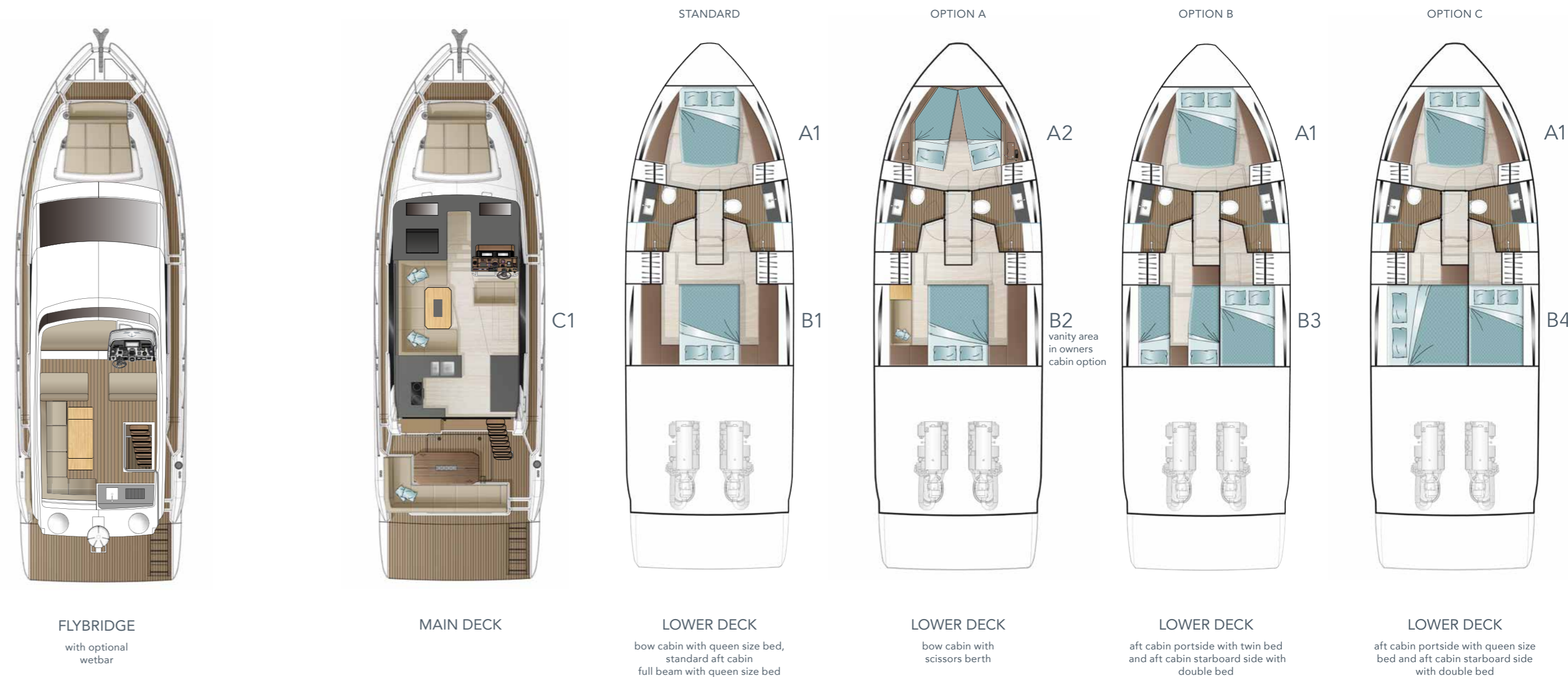
Length Overall	13.55 m	44' 5"
Length of Hull	11.73 m	38' 5"
Beam	4.20 m	13' 8"
Height above waterline incl. mast	5.37 m	17' 6"
Height above waterline excl. mast	4.14 m	13' 6"
Draught (Tmax)	1.13 m	3' 7"
Fuel capacity	1,100 l	242 UK gal
Water capacity	450 l	99 UK gal
Displacement	13.65 t	13.43 UK t
CE Category	B	
Max. person	12	

ENGINE STANDARD

2 x Volvo Penta IPS400 - Pod Drive 23 knots*

ENGINE OPTIONS

2 x Volvo Penta IPS500 - Pod Drive 28 knots*
 2 x Volvo Penta IPS600 - Pod Drive 32 knots*



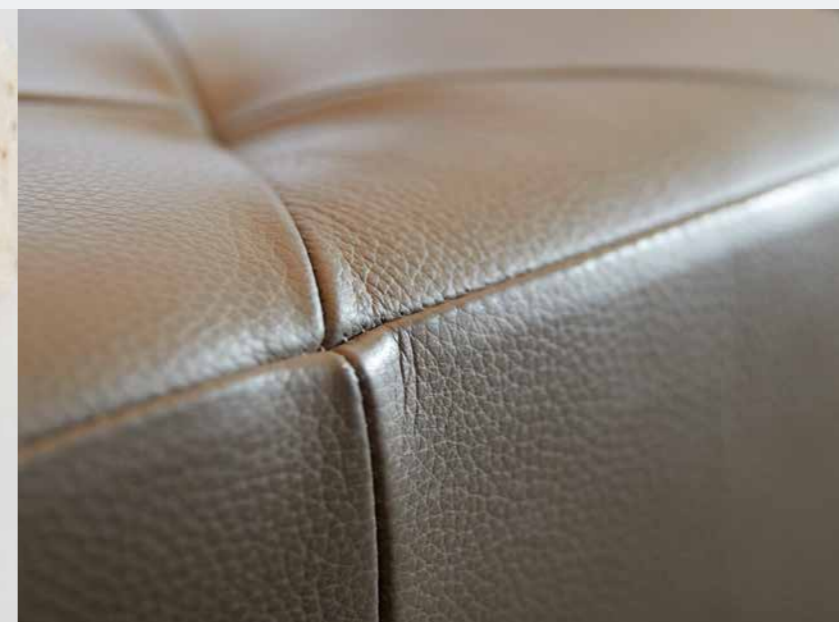
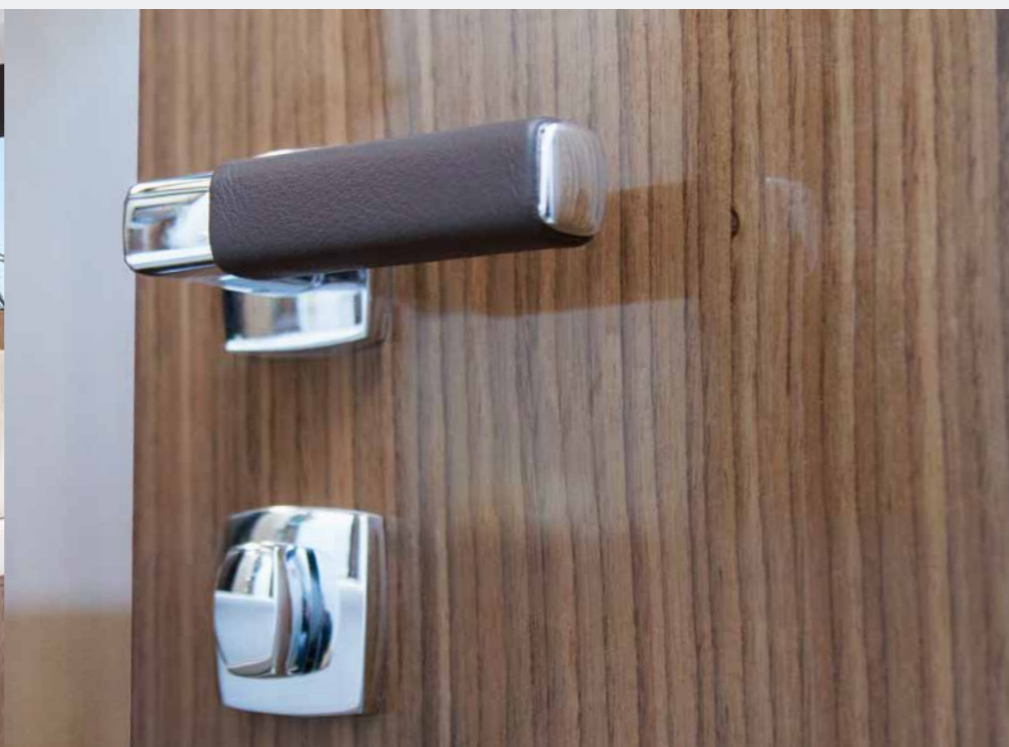
* All performance figures are given in good faith and are intended as an indication. These figures cannot be guaranteed as top speed in particular is affected by the cleanliness of the hull, conditions of the propellers, weight carried and air/sea temperature. Performance is related also to the optional accessories selected. SEALINE reserves the right to change specifications in line with the company policy of improvement through research and development. Errors and omissions expected. Please check with your dealer for a full list of inclusions. This brochure is not contractual. The yachts depicted partly comprise special equipment not included in the standard scope of supply. Illustrations may not correspond with current versions. Subject to alterations in design and equipment without notice and errors expected. Renderings: Björn Willer ALPHA3. Photos: Nico Krauss. Artwork: smz GmbH



GREAT DESIGNERS CREATED YOUR F430. BE ONE OF THEM.

There are countless ways to kit out the interior of your yacht. No matter what materials you choose: Quality will always be first-class. Carefully selected fabrics, exquisite floorings and a wide range of well-balanced colours create an ambience you'll enjoy anew each day.





Our fabrics are made of natural materials that show attractive textures and beautiful woven patterns. The leathers are classy, extremely resilient and gentle to touch.

If you have individual requirements about the finishes, you are always welcome to challenge our craftsmen with your special requests. Measuring up to your unique taste is one of Sealine's greatest qualities.

Don't hesitate to create a look that is as individual as you are. The hull and the waterline of your F430 can be painted in almost every colour according to the Alexseal Yacht Coatings Selection.

All worktops are made of CORIAN®. This premium surface combines high performance with outstanding aesthetics. It is best known for its seamless appearance and stunning effects of colour and translucency.

Furniture wood can be ordered in satin or high gloss finish on demand. The carpets of the cabins are woven of finest wool.



BRAND PHILOSOPHY



GERMAN PRECISION AND PASSION FOR THE SEA. THAT'S WHAT A SEALINE IS MADE OF.

In 2013, the Sealine brand found a worthy new home on the German Baltic coast. At our shipyard in Greifswald, we have perfected the interplay between state-of-the-art manufacturing techniques and skilled employees.

The outstanding people in our team perform their work with enormous experience, a deep understanding of the customer and great dedication.

In addition, we are thrilled to cooperate with our British partner Bill Dixon. Working closely with our in-house personnel, the award-winning designer is creating a new range of innovative Sealine models.

Above all, we believe that what holds true for the experienced boater, also holds true for us as boat builders. Beyond the individual skill, there is something which genuinely binds all of us at Sealine: A great passion for the sea.



DROP ANCHOR AT SEALINE

YOUR LOCAL SEALINE DEALER IS LOOKING FORWARD TO YOUR VISIT.



This brochure is not contractual. The yachts depicted partly comprise special equipment not included in the standard scope of supply. Illustrations may not correspond with current versions. Subject to alterations in design and equipment without notice and errors excepted. Print: Druckhaus Panzig. Photos: Nico Krauss.

PANORAMIC VIEWS . EASY CRUISING
DAYLIGHT INSIDE . GENTLE BREEZE
HIDDEN COVES . SUNBATHE AT SEA
BUSTLING HARBOURS . FAMILY FUN
ALFRESCO DINING . STARS ABOVE

C330

C430

C530

F430

F530

S330

S330v



www.sealine.com

Sealine Ladebower Chaussee 11 D-17493 Greifswald