



SWEDEN

Nimbus T11

Our legacy evolved



NIMBUS

Our legacy evolved

The Nimbus T11

Enjoy every day

The T11 is Nimbus' vision of the perfect day boat with the ambition of perfecting easy living at sea while providing a social playground for friends and families. In short, that means a large lounge area with adjustable seating arrangements, multiple sun-beds, outdoor cuisine, gyro stabilization, XXL stowage for gear and toys and an impressive amount of deck space which provides an overwhelming freedom of movement. Packaged in contemporary Scandinavian design.



The T11 is a 12.4-meter-long walk-around for excursions with plenty of space for up to 12 people to socialize or take part in activities, while also providing enough room for everyone onboard to face the direction of travel when moving at higher speeds.

"We are seeing a clear trend in boat usage right now which is characterized by more effective utilization over shorter periods of time. This often corresponds to day trips or

weekend getaways with an overnight stay where boat users can relax and have a good time together with their family or friends. The new T11 is designed to meet these needs in full. It offers multiple opportunities for socializing, relaxation and activities onboard. There is space for four people to stay overnight in two spacious berths and the boat has been consciously packed with functional features for a superbly comfortable life at sea" says Jonas Göthberg, commercial manager of Nimbus Boats Sweden AB.





SWEDEN







Simplicity and flexibility

Feel natural and easy

Throughout the design process we were constantly guided by a single question: “What components make for the best days out on the sea together in great company?” The answer was big, flexible socializing spaces, plenty of room to move around, good protection from the sun that covers a good part of the boat and several spots to lie back and sunbathe or sit in. It was also plenty of fridge space for storing food and drink, a proper outdoor kitchen with barbecue, a large bathing platform with room for several people to enjoy a dip at the same time and finally an extra-large but easily accessible stowage area for gear and toys.

“In the design and development process, we have deliberately focused on “simplicity” and “easy living” for everyone on board. It includes being able to easily and conveniently board or leave the boat, to load, to travel, to stay aboard and to own the boat. Everything that has to do with your Nimbus should feel natural and easy regardless of activity. When things are easy, we quite simply feel more relaxed and can focus on the boating experience. Says Mats Jacobsson”, Technical Director at Nimbus.







Lounge & large socializing spaces

Exceptionally generous

The boat's heart is found in its lounge area. This is an extra spacious and multifunctional socializing space that can be easily adapted to different activities such as cruising, sunbathing, swimming, entertaining, lunch and dinner or a quiet afternoon of reading in the shade. Flexibility is provided by sofas, tables and awnings with simple handles that can be used to rotate, fold and move into different positions depending on what it is you want to do.

"Our customers feel that we have really done our utmost to design the boat in a thoroughly considered way that makes it easy to use no matter your chosen activity. In addition, they also appreciate its excellent sense of 'seamanship' which gives an added feeling of comfort and security onboard" says Joacim Gustavsson, Chief Designer at Nimbus.

The lounge area has three sofas and a large table which, depending on its position, can function as a sun deck or a seating area that can either have all seats facing the direction of travel or alternatively facing one another. The outdoor kitchen has drawers for cutlery and tableware, a kitchen sink with hot water and space for a gas stove or electric grill. The large stowage space measures just over 2500 liters and boasts a hydraulic opening mechanism that is easily accessible from the after-deck. It has space for everything you could ever want to bring with you, whether

that be SUPs, sea bobs, wakeboards and biscuits or simply an inflatable rubber boat. The bathing platform and the after-deck are ample and easily provide enough space for several people at the same time.

"We already added some extra deck space, treading surfaces and wide passageways on this boat's little sister, the T9, but the T11 takes things to a whole new level. The surface areas are exceptionally generous and the freedom of movement you get onboard is palpable – not just in the lounge area, but on the after-deck and the foredeck as well. The boat is far from being over-furnished and freedom of movement is something that you truly feel whenever you step onboard" says Joacim Gustavsson.

The cockpit is snugly put together in the typical Nimbus fashion, with extra storage compartments and space for three people to sit in the direction of travel. The foredeck offers room for a divan and a sun bed. Much like the T9 series, the T11 also has a large storage hatch at the front of the cabin. Thanks to the large gunwale sides, the foredeck can also be used as a seating area and socializing space.

Below deck you will find two separate cabins with space for two couples or a family of four. Spacious bathroom with toilet, shower and sufficient headroom.

Speed and seakeeping

High-speed properties

The T11 series has a new, well-balanced stepped hull with great high-speed properties in combination with a low planning threshold. The front hull is sharp in order to easily cut through the waves and it is fitted with an ample flare that protects against spray and makes for a drier ride. The boat comes equipped with two Mercury Verado V8 300 motors as standard and the speed range is between 20 and 40+ knots. The boat will also be fitted with inboard engines in the future.

The T11 is a model in the Tender series which is a replacement for the successful Nova series. In contrast to Nova, which was primarily intended for the Scandinavian market, the Tender series aims itself at a broader target group by meeting the needs of users in Southern Europe, Oceania and the USA.

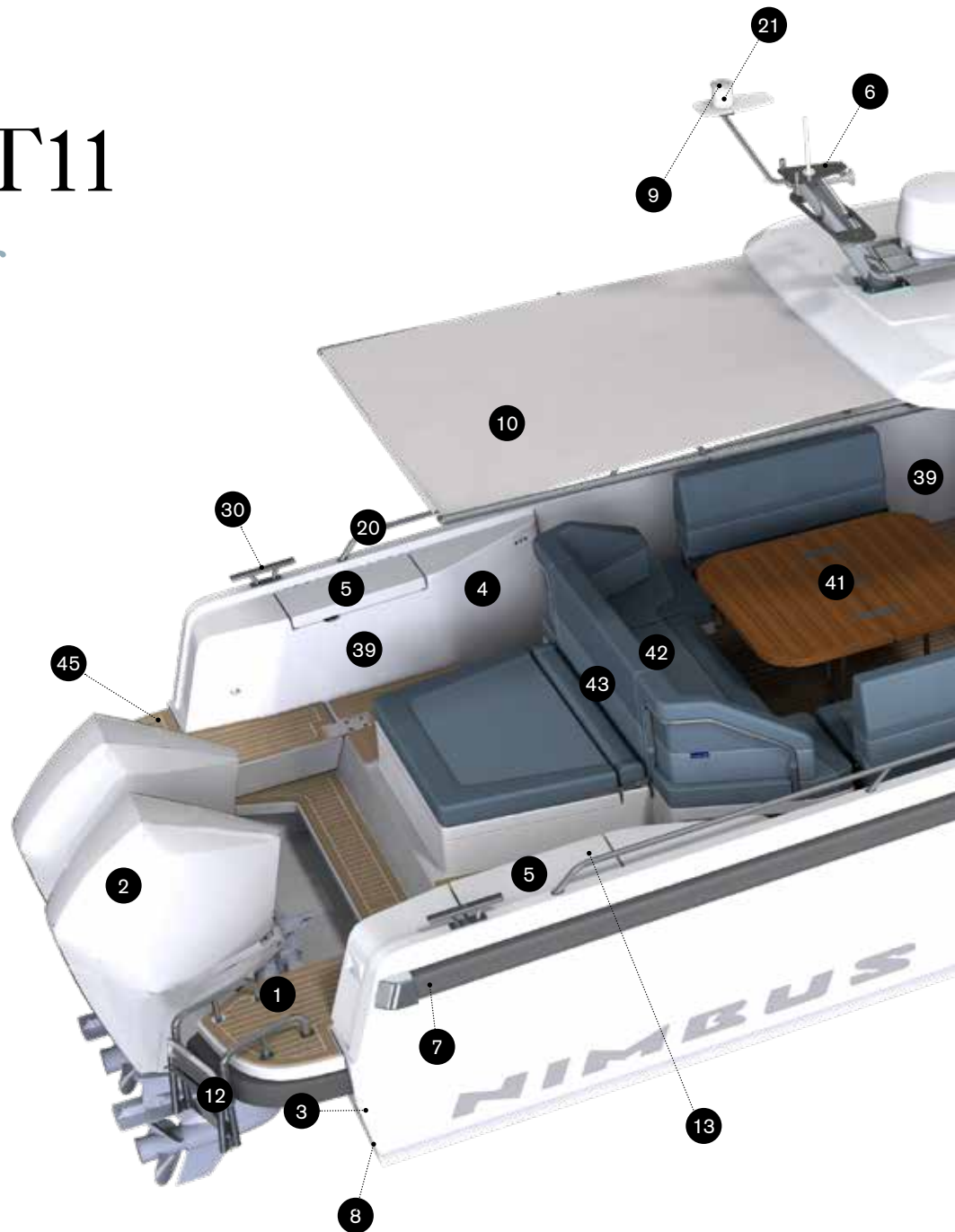




Features & functionality

Nimbus T11

Tender series



1 Extended aft platforms for simplified and safe boarding and disembarkment.

2 Can be fitted with outboard or inboard engine. Rigged with Mercury or Volvo Penta.

3 Fully automatic interceptor trim system.

4 Shower on transom/aft deck.

5 Aft storage compartment for fenders and ropes.

6 Stainless steel mast for lights and optional equipment such as radar and search light.

7 Large sturdy rubber bumper list with stainless steel "endings".

8 *Under water LED lights.

9 Aft navigation light.

10 *El. shore shade as option.

11 Completely new air lubricated stepped hull design, built for exceptional sea worthiness and handling. Speed characteristics +40 knots, cruising speed 20-35 knots.

12 Safety ladder.

13 *Shore power connector.

14 Spacious deck area.

15 Bollard (mid ship), extra large, in stainless steel.

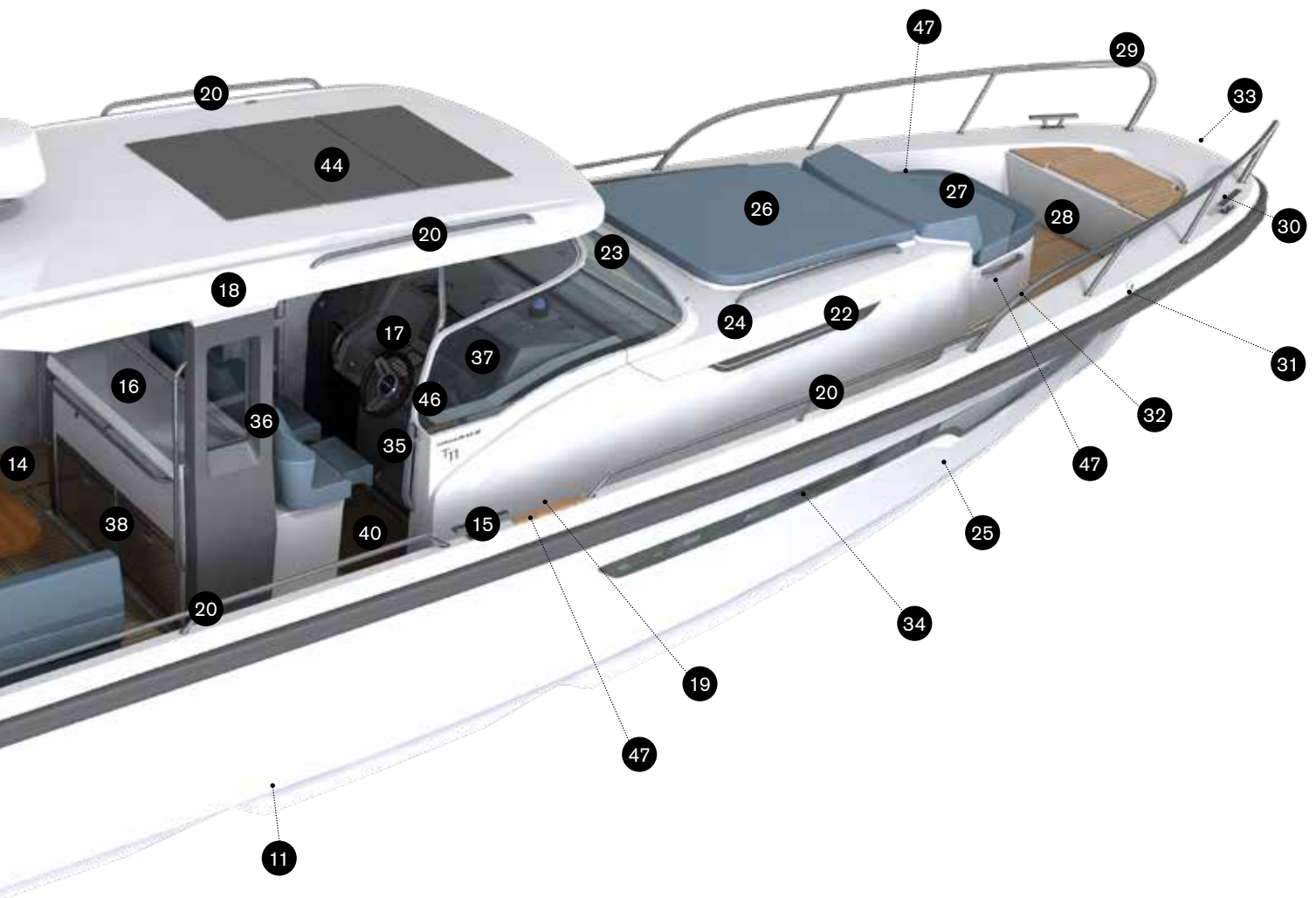
16 *Out door galley with sink, Gas or Grill with up to twin refrigerators.

17 Fuse panel.

18 *T-Top with multiple canopy solutions.

19 Walkaround for easy access and maximum movability.

20 Handrail in stainless steel for easy and secure movement around the boat.



21 Anchor light on stainless mast.

22 Portlights.

23 Wind screen wipers with window wash.

24 Integrated ventilation.

25 Bow thruster.

26 *Sunbed on fore deck with included daybed seating with backrest.

27 Large cargo hatch for easy loading and access to cabin.

28 Extra large deck area for safe loading, boarding or disembarking.

29 Oversized sturdy pulpit in stainless steel 38 mm.

30 Bollard, oversized, in stainless steel.

31 Integrated navigation lights.

32 *Deck in teak or flexi teak.

33 *Electric anchor winch integrated in front of hull.

34 Large integrated hull windows.

35 *HIFI system.

36 Sliding door with lock.

37 Dashboard can be fitted with 12', 16' or double 12' plotters.

38 *Optional extra fridge or freezer.

39 LED deck lights.

40 Wide Passage for increased ease of movement, floor area in same level

41 Spacious Lounge area with multiple seating arrangement and large dinner table

42 Storage compartments below deck and sofas (x4).

43 Folding backrest.

44 *Solar energy panels.

45 *Electric aft anchor winch.

46 *Mercury joystick steering incl. sky hook.

47 *Extra openable port lights.

Features & functionality

Nimbus T11

Tender series

Technical specification (metric/imperial):

Length 12,40 m / 40' 7", Width 3,46 m / 11' 4", Weight** 5600 kg / 12345 lbs, Fuel tank 850 l / 224,5 US gal
Water tank 135 l / 36 US gal, Refrigerator 70+70+75 l / 2,47+2,47+2,6 cu/ft
CE category C, 12 persons, Number of berths 4 (2+2), Max speed +40 knots

Engine alternatives: Mercury Verado L8 2x300 hp, Mercury Verado L6 2x350 hp, Mercury Verado L6 2x400 hp (awaiting sales start), Volvo Penta D4 DPI 2x320 hp (awaiting sales start), Volvo Penta D6 DPI 2x440 hp (awaiting sales start).

T11 T-top



T11 T-top sureshade



T11 T-top sunshade



*T11 T-top version also offer: *Enclosed canopy,

*Sun shade cover on aft + fore deck, *Radar, *Search light with joystick, *Fishing rod holders



- 1 Large storage compartment below deck +2500 liters with access from aft and front.
- 2 Fire extinguisher.
- 3 Fuse panel.
- 4 Defroster / heater outlet.
- 5 Dashboard can be fitted with 12' or 16' or double 12' plotters.
- 6 Large cargo hatch for easy loading and access to cabin.
- 7 Anchor box and storage.
- 8 Interior curtesy lighting and LED reading lights with USB charger.
- 9 Storage shelf.
- 10 Spacious separate head with toilet.
- 11 Large mirror in head.
- 12 2 separate cabins with 2 double bed in each cabin
- 13 *Custom mattress topper for higher comfort.
- 14 Extra large storage compartment below bed.
- 15 Carpets in cabin.
- 16 *Grey water tank 75 l.
- 17 *Heater / defroster.
- 18 *T-Top with multiple canopy solutions and
- 19 Batteries.
- 20 Fresh water tank and pump.
- 21 *230V / 110V electric outlet.
- 22 Separate drainage for fuel, freshwater and blackwater.
- 23 3 seats in forward direction incl foldable footrest.
- 24 Several Cupholders.
- 25 Large storage and bench.
- 26 *Waterski pole.
- 27 *Openable gates.

